



US00D789083S

(12) **United States Design Patent** (10) **Patent No.:** **US D789,083 S**  
**Gerbelle** (45) **Date of Patent:** **\*\* Jun. 13, 2017**

(54) **HANDBAG**  
(71) Applicant: **J. Choo Limited**, London (GB)  
(72) Inventor: **Rina Gerbelle**, Paris (FR)  
(73) Assignee: **J. Choo Limited**, London (GB)  
(\*\*) Term: **15 Years**

D659,391 S 5/2012 Jobert  
D680,328 S \* 4/2013 Alexandre ..... D3/232  
D756,112 S \* 5/2016 Slimane ..... D3/232

(21) Appl. No.: **29/552,722**  
(22) Filed: **Jan. 25, 2016**

(30) **Foreign Application Priority Data**  
Jul. 31, 2015 (EM) ..... 002747048-0011  
(51) **LOC (10) Cl.** ..... **03-01**  
(52) **U.S. Cl.**  
USPC ..... **D3/244**  
(58) **Field of Classification Search**  
USPC ..... D3/232-233, 240-243, 245-246  
CPC ..... A45C 1/024; A45C 3/06  
See application file for complete search history.

**OTHER PUBLICATIONS**

Tulita Hobo (Green), From Cruize, 2003.

\* cited by examiner

*Primary Examiner* — Holly Baynham  
(74) *Attorney, Agent, or Firm* — Fross Zelnick Lehrman & Zissu, P.C.; Lawrence E. Apolzon, Esq.

(57) **CLAIM**

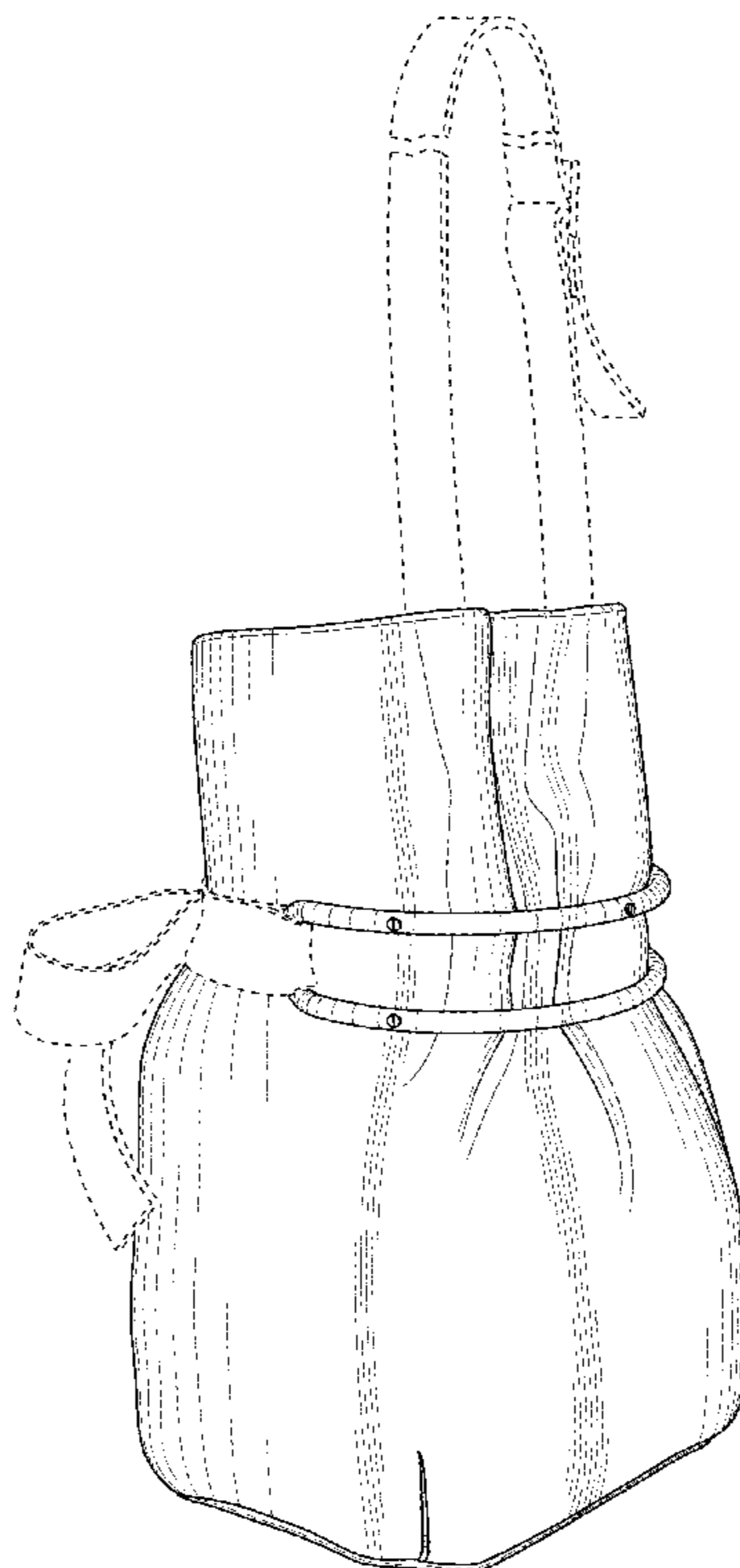
The ornamental design for a handbag, as shown and described.

**DESCRIPTION**

FIG. 1 is a front perspective view of a handbag showing my new design;  
FIG. 2 is a left side view of the handbag shown in FIG. 1;  
FIG. 3 is a right side view of the handbag shown in FIG. 1;  
FIG. 4 is a front view of the handbag shown in FIG. 1;  
FIG. 5 is a rear view of the handbag shown in FIG. 1;  
FIG. 6 is a top view of the handbag shown in FIG. 1; and,  
FIG. 7 is a bottom view of the handbag shown in FIG. 1.  
The broken lines showing the strap and handle are for the purposes of illustrating environment and form no part of the claimed design.

(56) **References Cited**  
**U.S. PATENT DOCUMENTS**  
D380,609 S 7/1997 Formby  
D434,219 S 11/2000 Haapala  
D501,998 S 2/2005 Gonzalez  
D502,805 S 3/2005 Gonzalez  
D502,813 S 3/2005 Gonzalez  
D624,751 S \* 10/2010 McLeod ..... D3/244  
D627,158 S \* 11/2010 Dreyfuss ..... D3/244

**1 Claim, 7 Drawing Sheets**



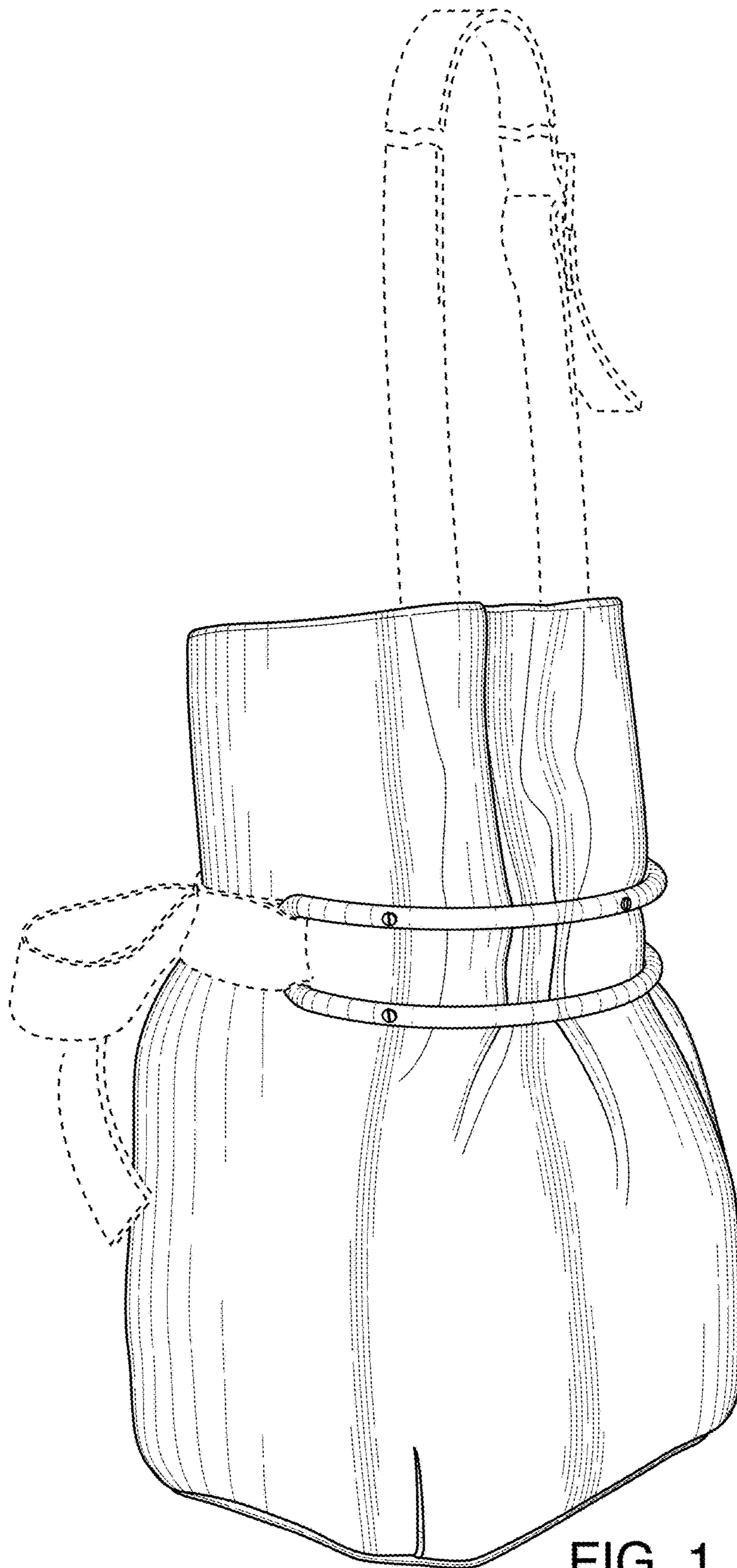


FIG. 1

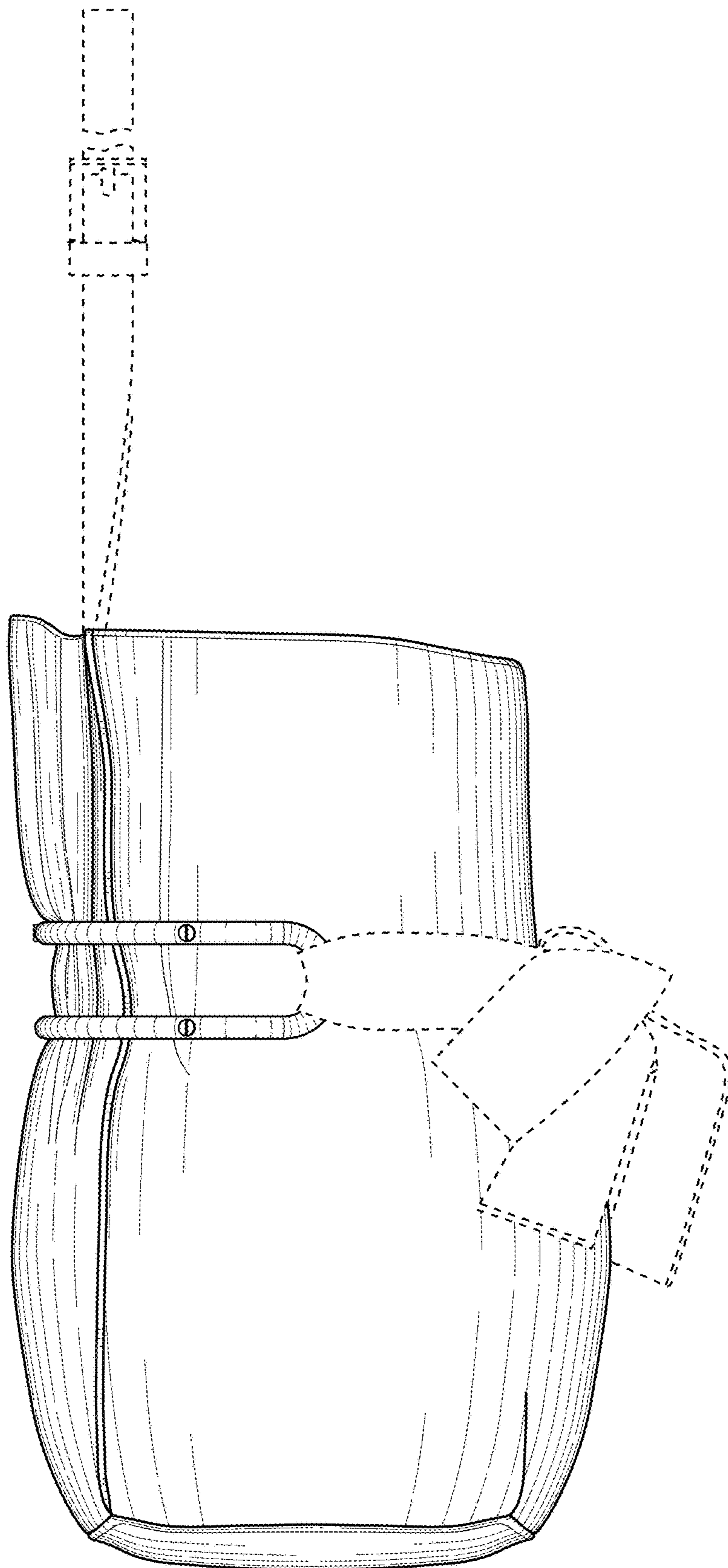


FIG. 2

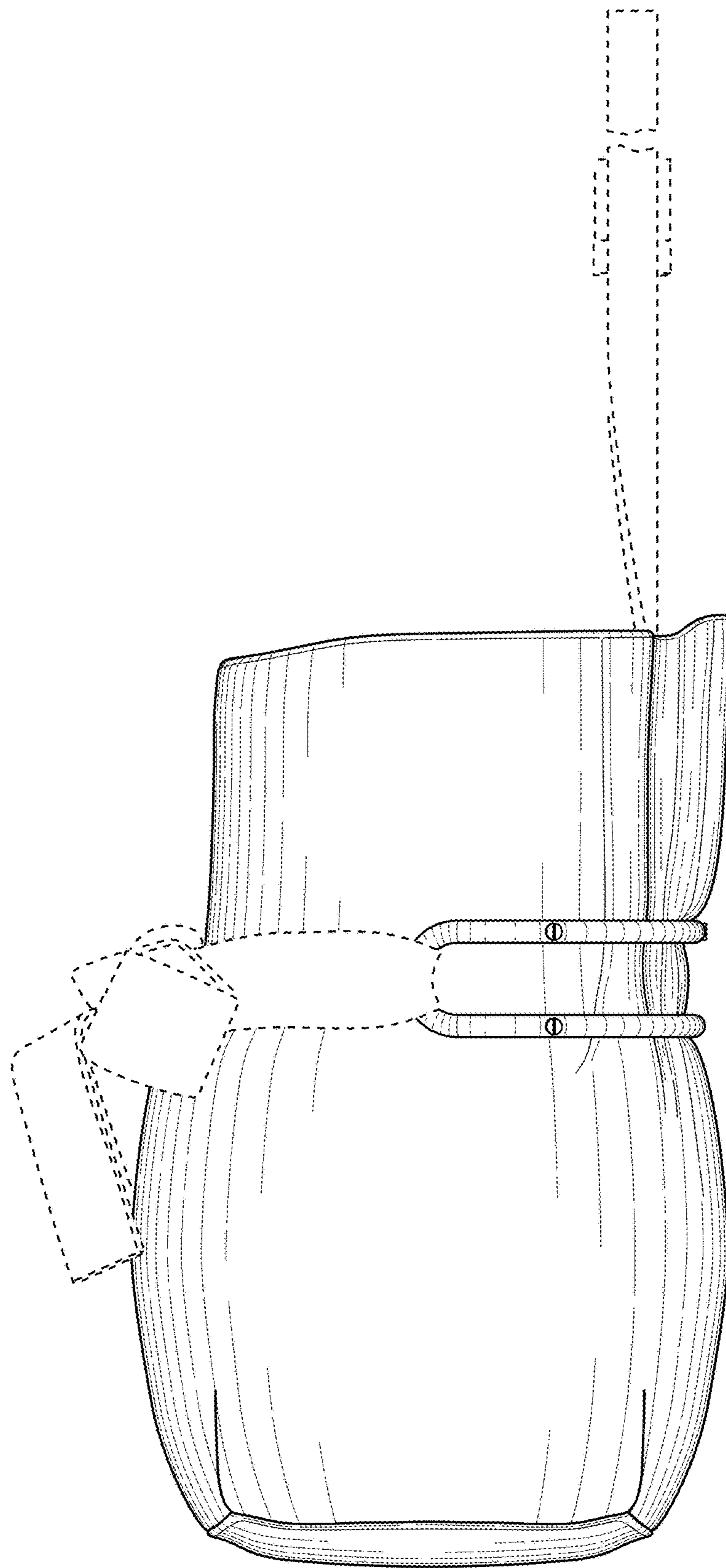


FIG. 3

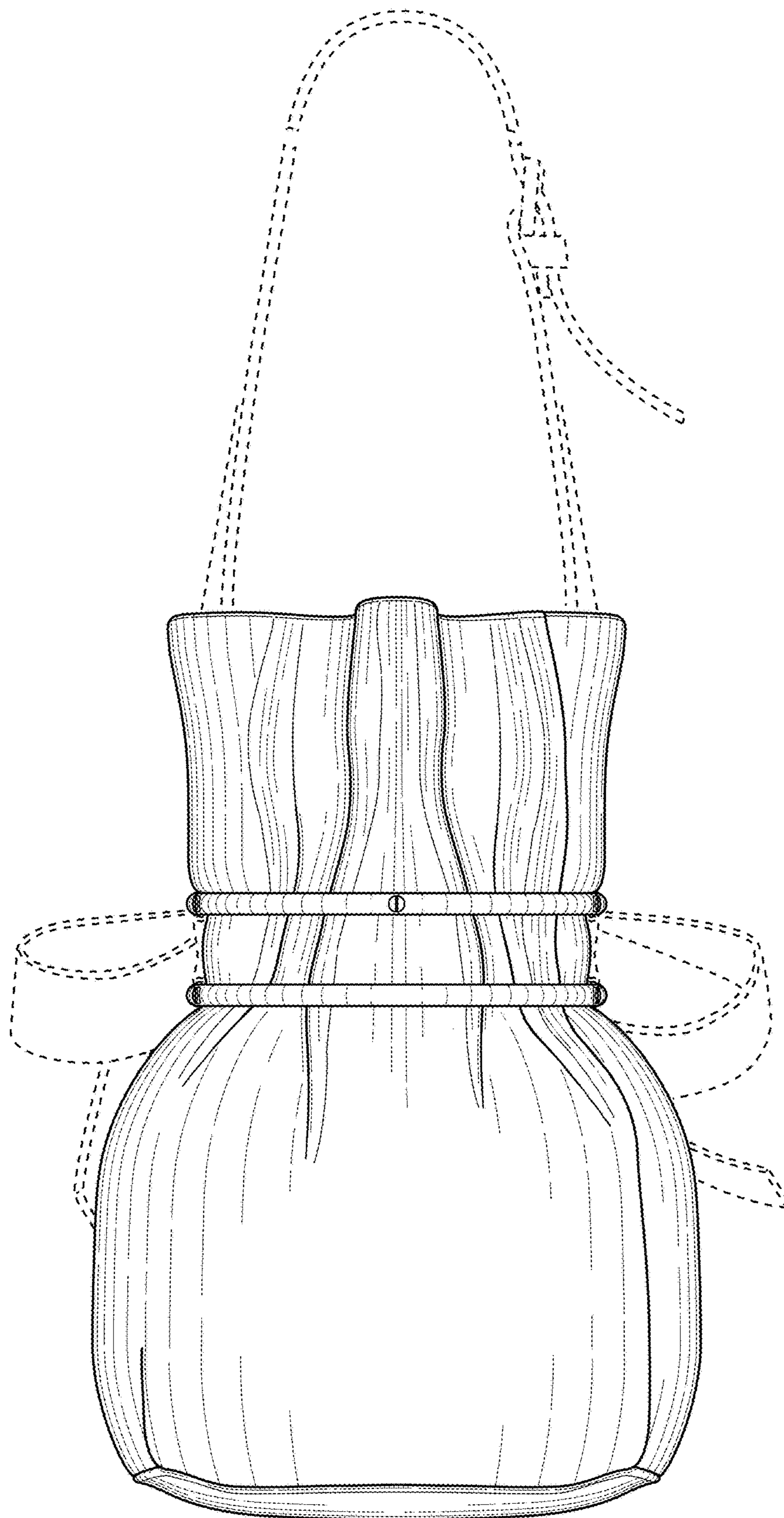


FIG. 4

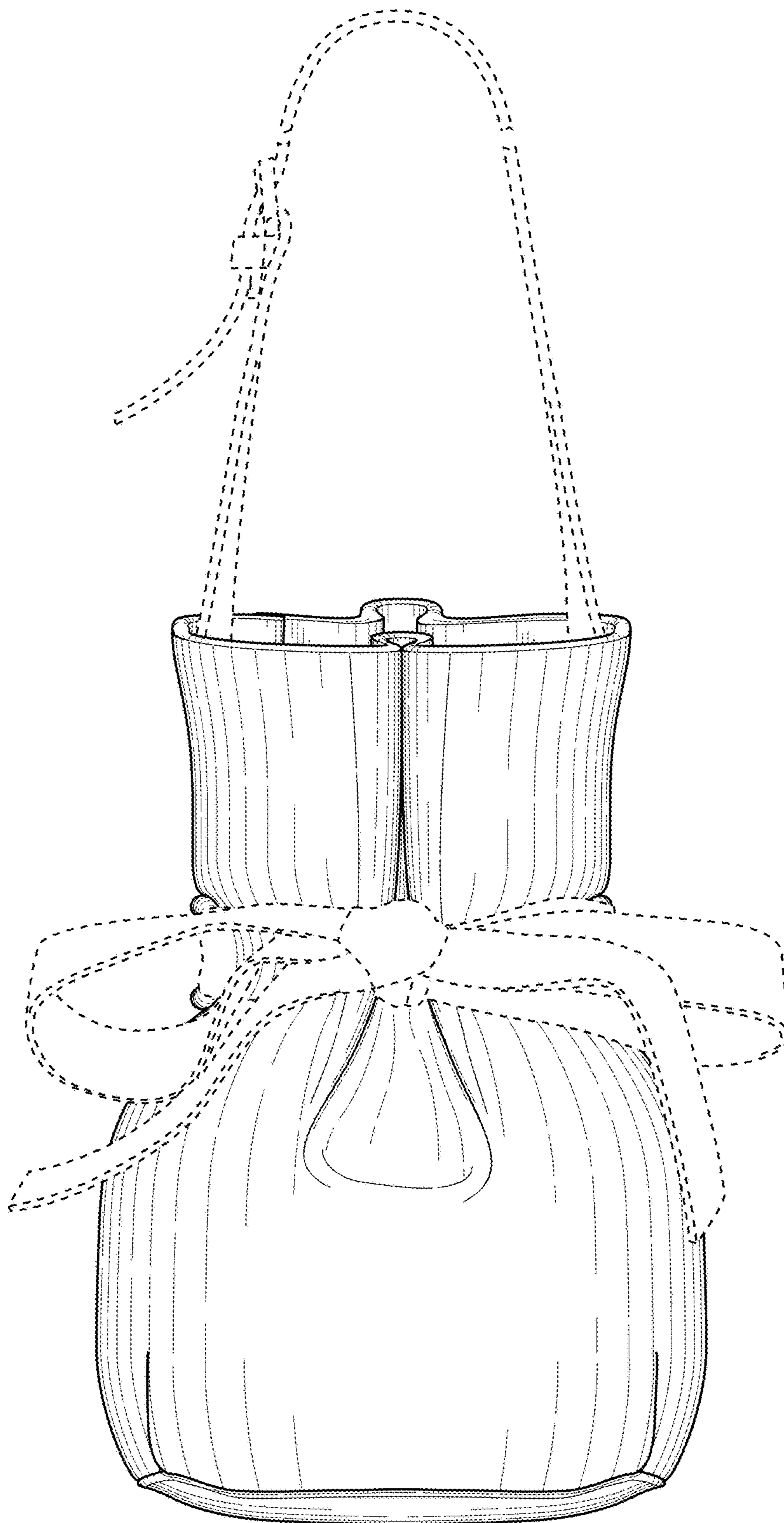


FIG. 5

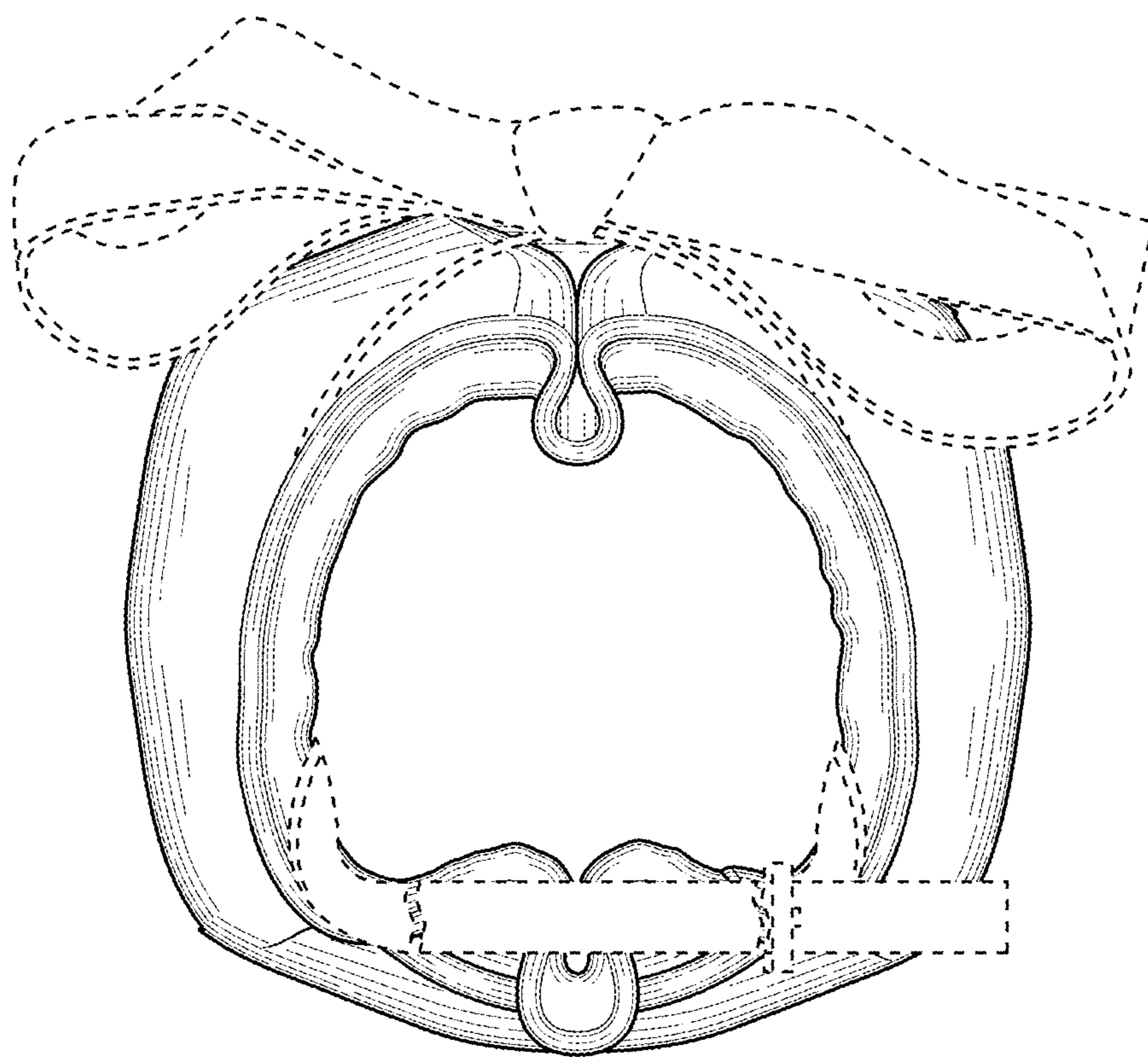


FIG. 6

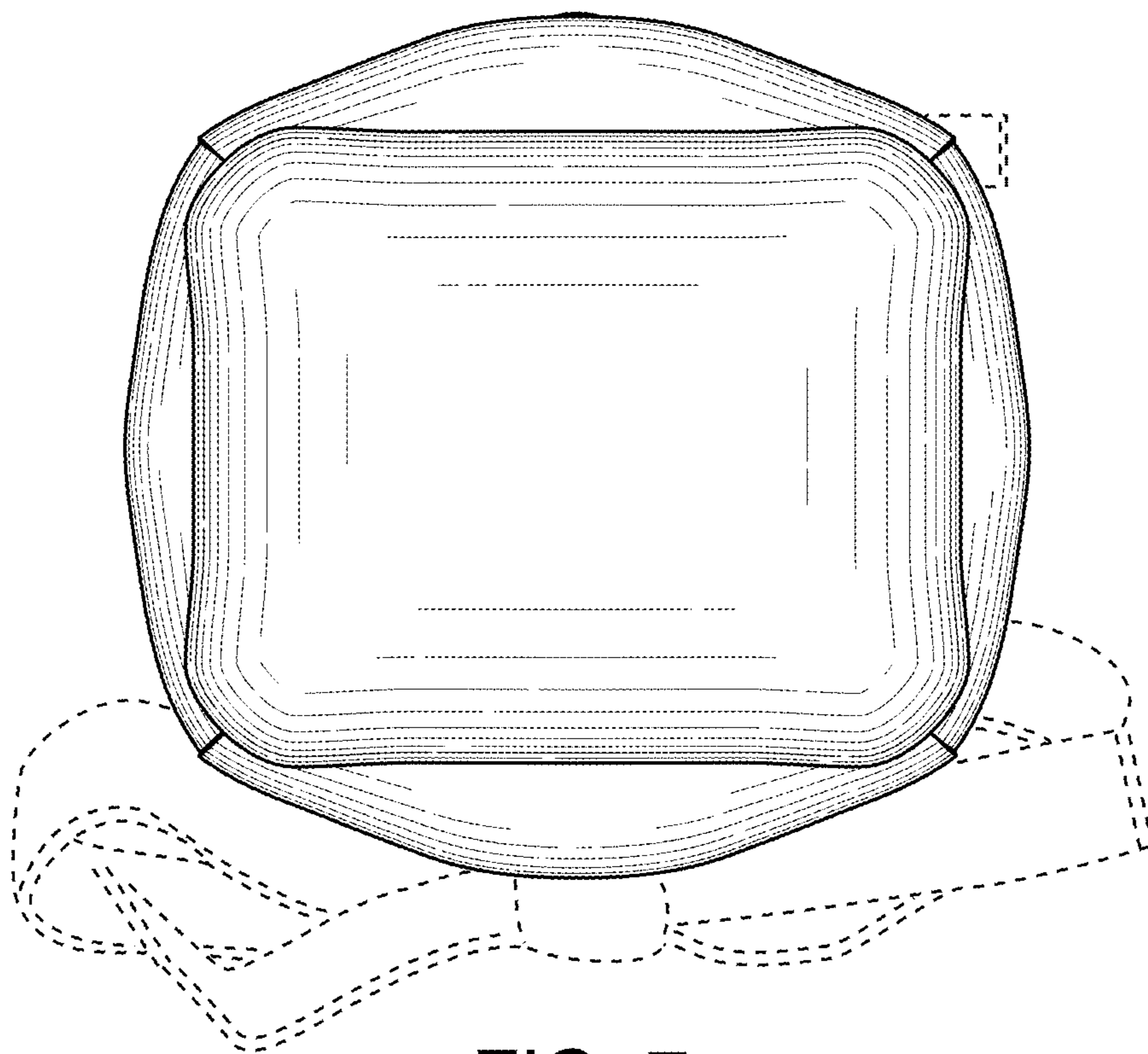


FIG. 7