



US00D789082S

(12) **United States Design Patent**  
**Barilaro et al.**

(10) **Patent No.:** **US D789,082 S**  
(45) **Date of Patent:** **\*\* Jun. 13, 2017**

(54) **CONVERTIBLE TOTE AND BACKPACK**

- (71) Applicant: **The Gem Group, Inc.**, Lawrence, MA (US)
- (72) Inventors: **Danea Marie Barilaro**, Jamaica Plain, MA (US); **Brian Lewis Piper**, Arlington, MA (US)
- (73) Assignee: **The Gem Group, INC.**, Lawrence, MA (US)
- (\*\*) Term: **15 Years**
- (21) Appl. No.: **29/560,244**
- (22) Filed: **Apr. 4, 2016**

**Related U.S. Application Data**

- (62) Division of application No. 29/487,555, filed on Apr. 9, 2014, now Pat. No. Des. 752,860.
- (51) **LOC (10) Cl.** ..... **03-01**
- (52) **U.S. Cl.**  
USPC ..... **D3/232**
- (58) **Field of Classification Search**  
USPC ..... D3/232-233, 240-243, 245-246, 318  
CPC ..... A45C 1/024; A45C 3/06  
See application file for complete search history.

(56) **References Cited**

**U.S. PATENT DOCUMENTS**

D354,619 S *	1/1995	Soukeras	.....	D3/217
D358,024 S	5/1995	Wilson		
D383,903 S	9/1997	Kopel		
D442,364 S	5/2001	Guyon		
D587,451 S	3/2009	Guichot		
D761,017 S *	7/2016	Klusener	.....	D3/243

**OTHER PUBLICATIONS**

Alite Designs, "Bike to the Beach Bag", "downloaded from <http://shop.alitedeigns.com/bike-to-the-beach-bag.html>", Jul. 18, 2014.  
 Orox Leather Co., "Backpack Tote—Green/Tan", "downloaded from <http://www.oroxtleather.com/products/backpack-tote-green>", Jul. 18, 2014, Published in: US.  
 Qwstion, "Qwstion Home Page", "downloaded from <http://www.qwstion.com/us/>", Apr. 14, 2014.

(Continued)

*Primary Examiner* — Holly Baynham

(74) *Attorney, Agent, or Firm* — Loginov & Associates;  
William A. Loginov

(57) **CLAIM**

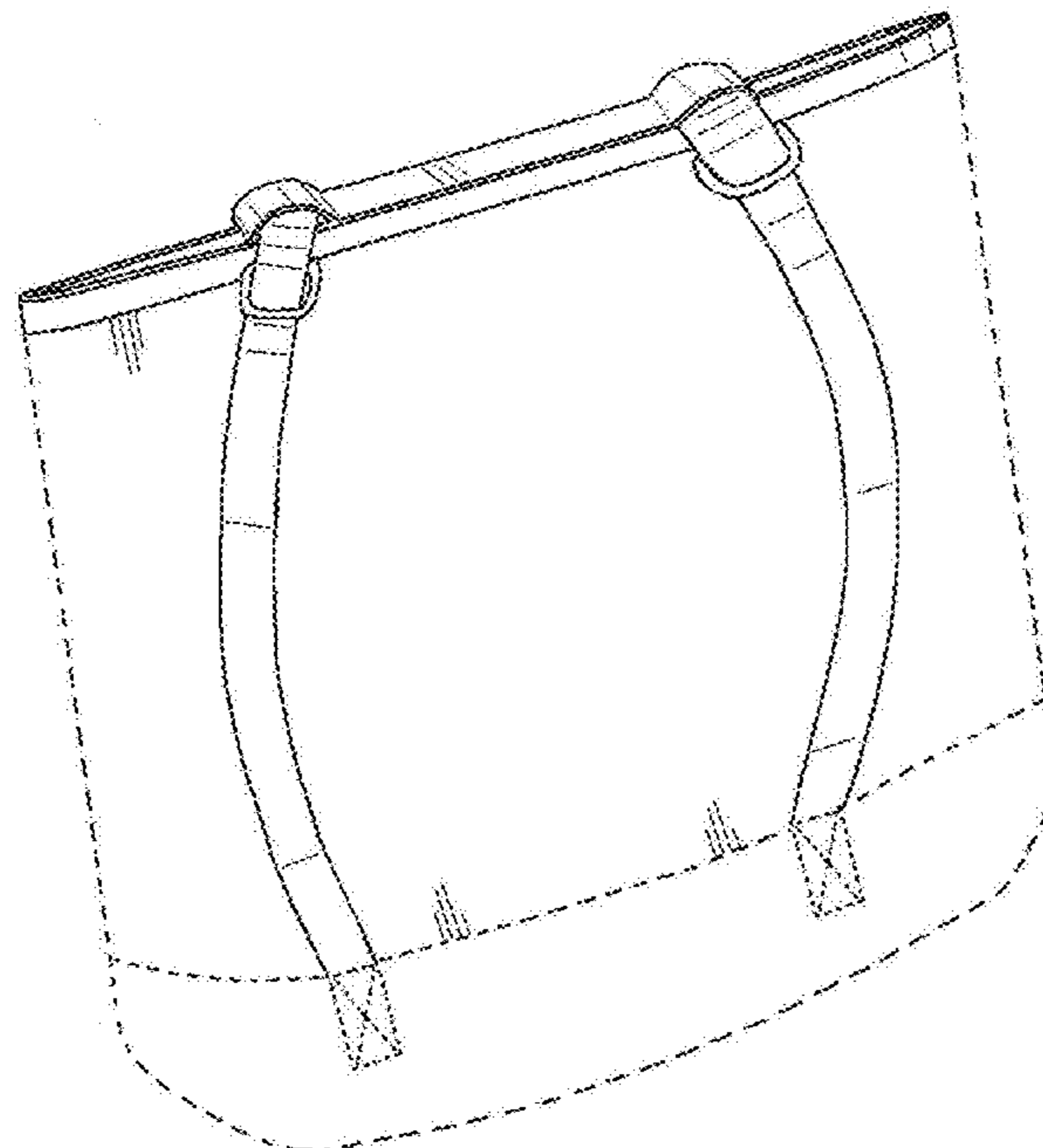
The ornamental design for a convertible tote and backpack, as shown.

**DESCRIPTION**

FIG. 1 is a perspective view of a convertible tote and backpack;  
 FIG. 2 is a front view of the convertible tote and backpack;  
 FIG. 3 is a rear view of the convertible tote and backpack;  
 FIG. 4 is a right side view of the convertible tote and backpack;  
 FIG. 5 is a left side view of the convertible tote and backpack;  
 FIG. 6 is a top view of the convertible tote and backpack;  
 and,  
 FIG. 7 is a bottom view of the convertible tote and backpack as a tote.

The broken line elements in all views are for illustrative and environmental purposes only and form no part of the claimed design.

**1 Claim, 5 Drawing Sheets**



(56)

**References Cited**

OTHER PUBLICATIONS

rushfaster.com “Qwstion Convertible Totle / Backpack—Washed Grey”, “downloaded from <http://rushfaster.com.au/product/qwstion/convertible-tote-backpack-washedgrey/7654>”, Apr. 14, 2014, Published in: AU.

Torso Co. Ltd, “School Bag—Tembea”, “published from <http://shop.torso-design.com/?pid=58203677>” no later than Apr. 8, 2014.

\* cited by examiner

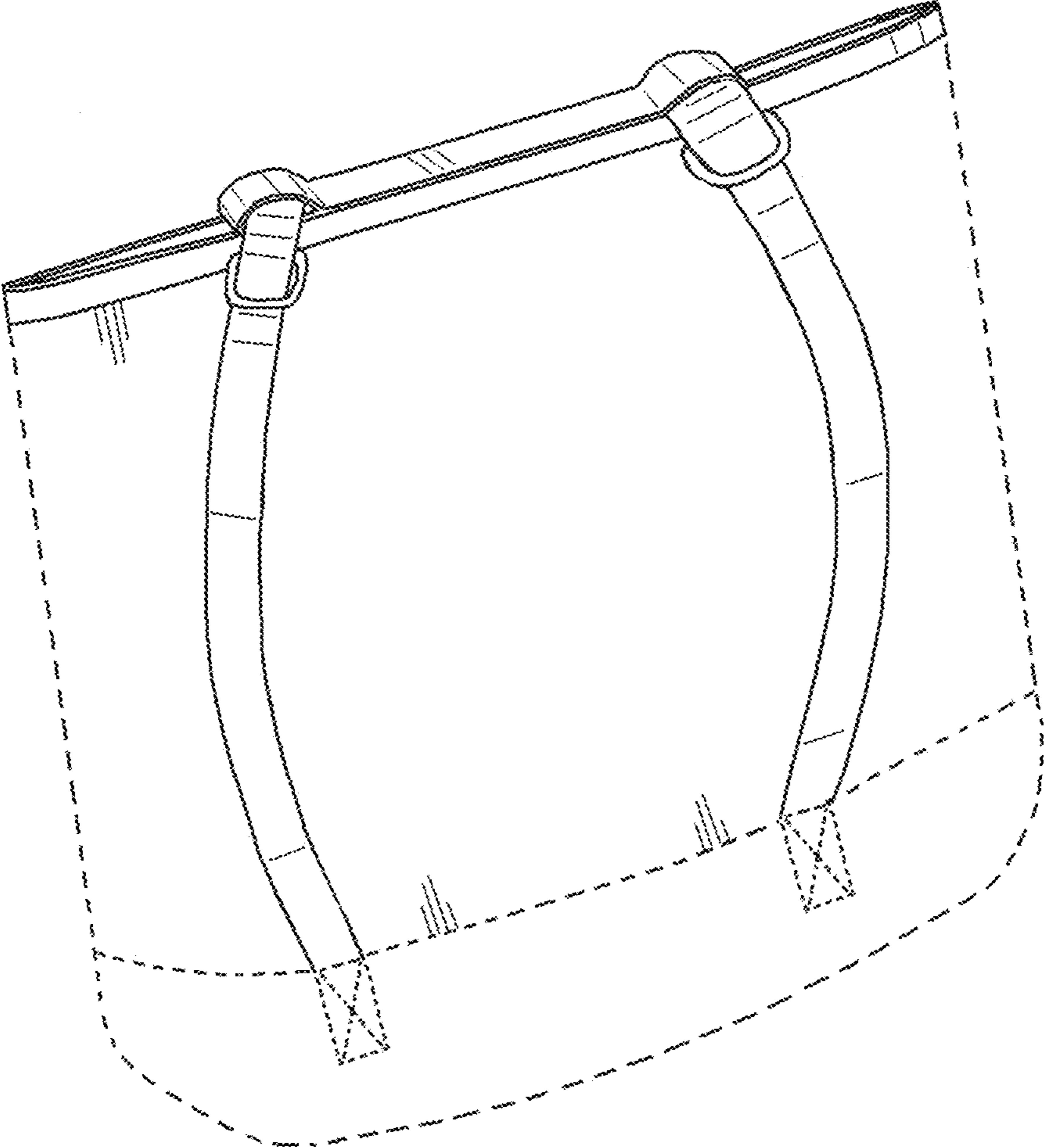


FIG. 1

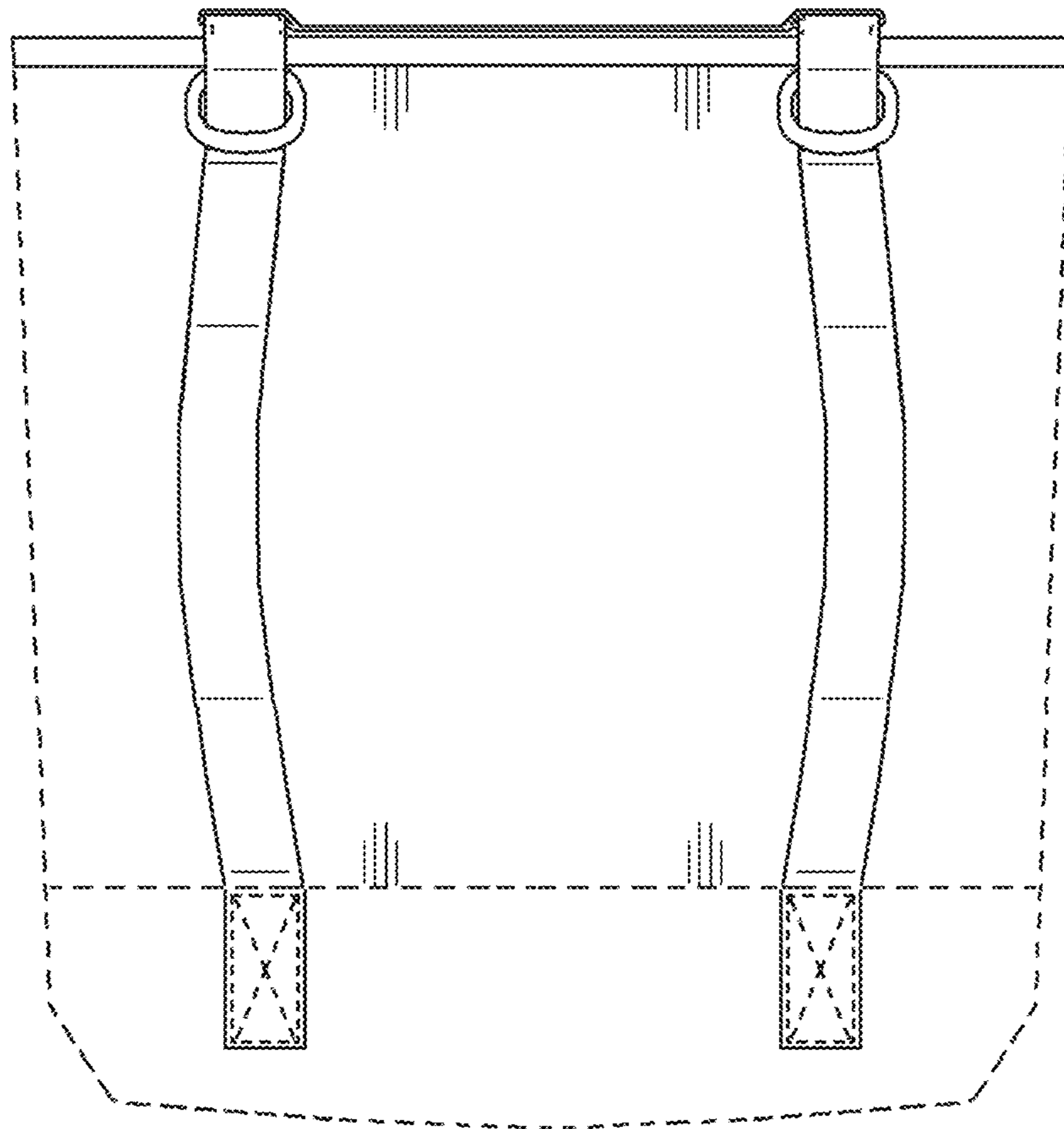


FIG. 2

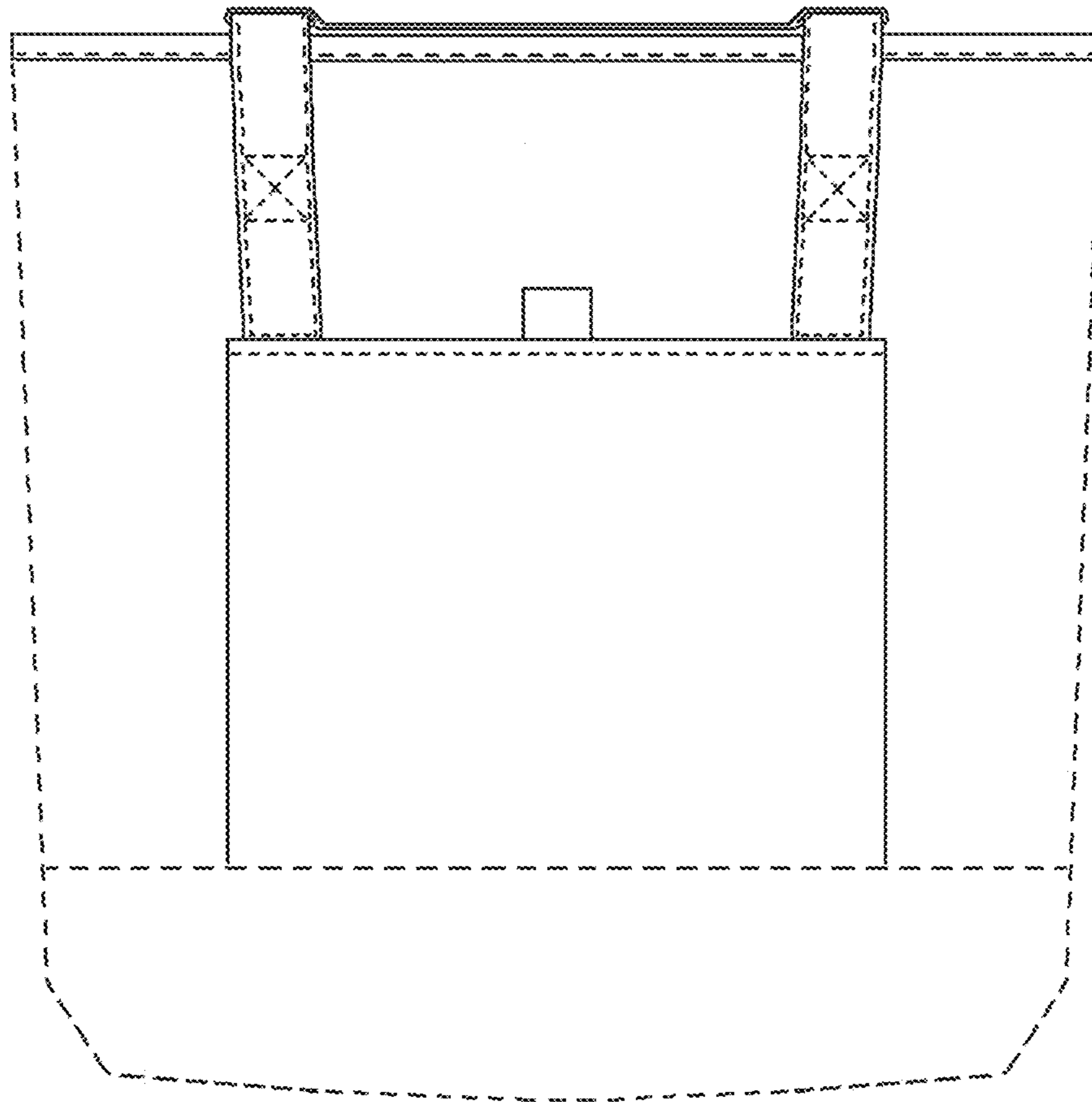


FIG. 3

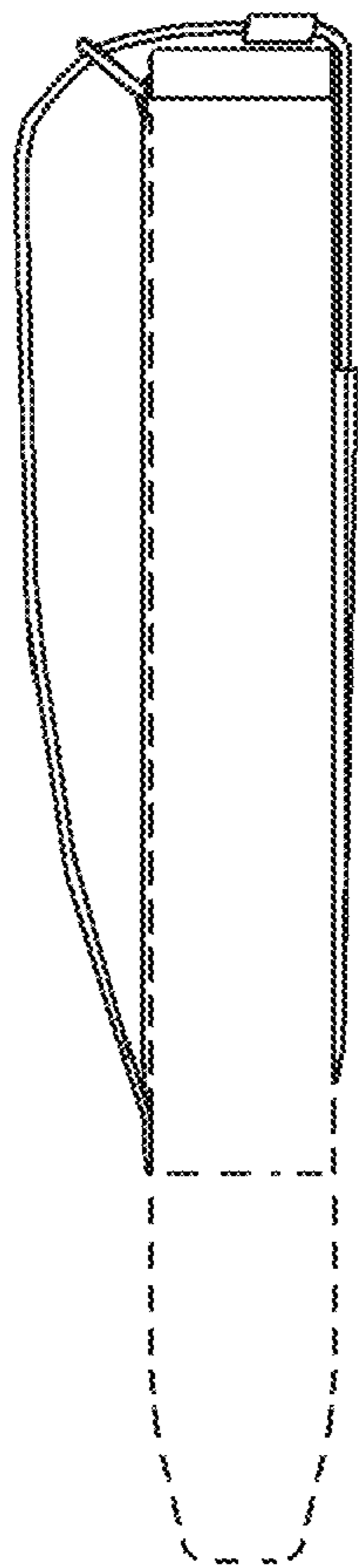


FIG. 4

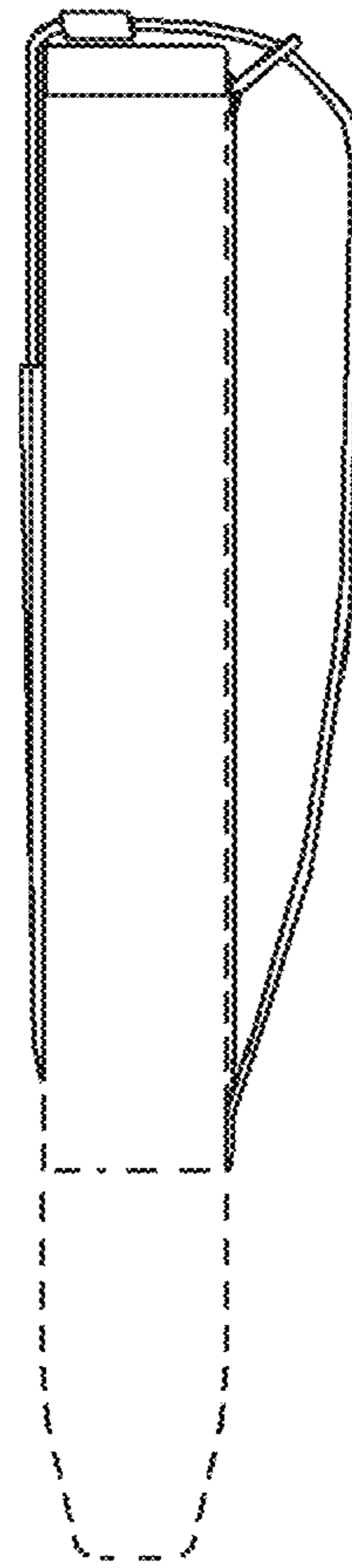


FIG. 5



FIG. 6

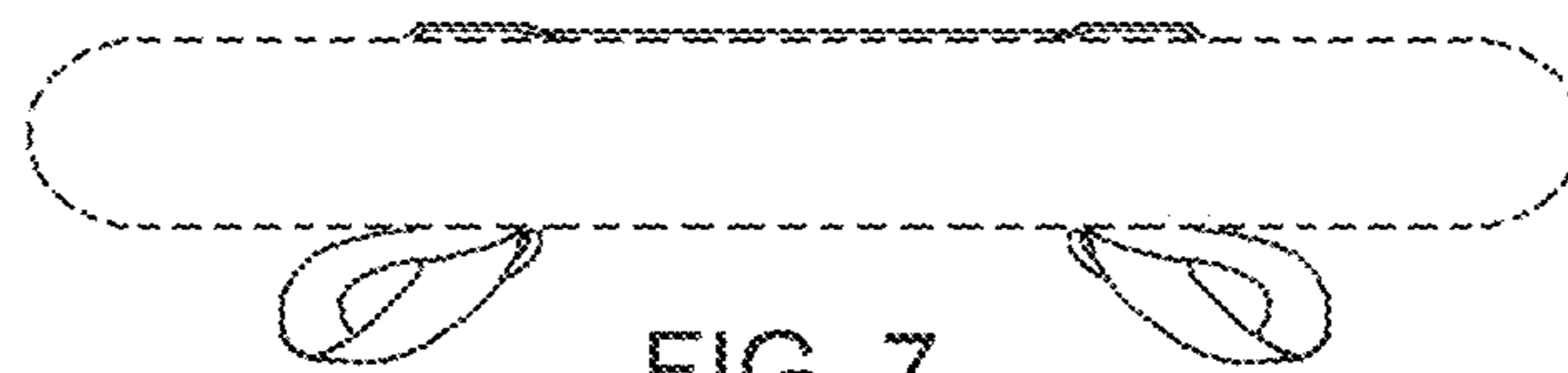


FIG. 7