



US00D789078S

(12) **United States Design Patent**  
**Paniwozik**

(10) **Patent No.:** **US D789,078 S**  
(45) **Date of Patent:** **\*\* Jun. 13, 2017**

(54) **OPEN GRIP CHEST HOLSTER WITH  
MAGAZINE POUCH**

(71) Applicant: **Man Gear Alaska, LLC**, Wasilla, AK  
(US)

(72) Inventor: **Rebecka Paniwozik**, Wasilla, AK (US)

(73) Assignee: **Man Gear Alaska, LLC**, Wasilla, AK  
(US)

(\*\*) Term: **15 Years**

(21) Appl. No.: **29/579,025**

(22) Filed: **Sep. 27, 2016**

**Related U.S. Application Data**

(62) Division of application No. 29/525,497, filed on Apr.  
30, 2015, now Pat. No. Des. 773,805.

(51) **LOC (10) Cl.** ..... **03-01**

(52) **U.S. Cl.**  
USPC ..... **D3/222**

(58) **Field of Classification Search**  
USPC ..... D3/222-223, 224, 226; 224/192-193,  
224/198, 233, 238, 243, 587, 623, 911  
CPC .... A45F 5/02; A45F 3/14; F41C 33/02; F41C  
33/002; F41C 33/0209; F41C 33/0227;  
F41C 33/046

See application file for complete search history.

(56) **References Cited**

**U.S. PATENT DOCUMENTS**

2,443,397 A \* 6/1948 Myres ..... A45F 3/14  
224/193  
D185,583 S \* 6/1959 Stella ..... 224/911  
3,797,715 A \* 3/1974 Scialdone ..... A45F 3/14  
224/587

(Continued)

*Primary Examiner* — Catheri Oliver-Garcia

(74) *Attorney, Agent, or Firm* — Pearne & Gordon LLP

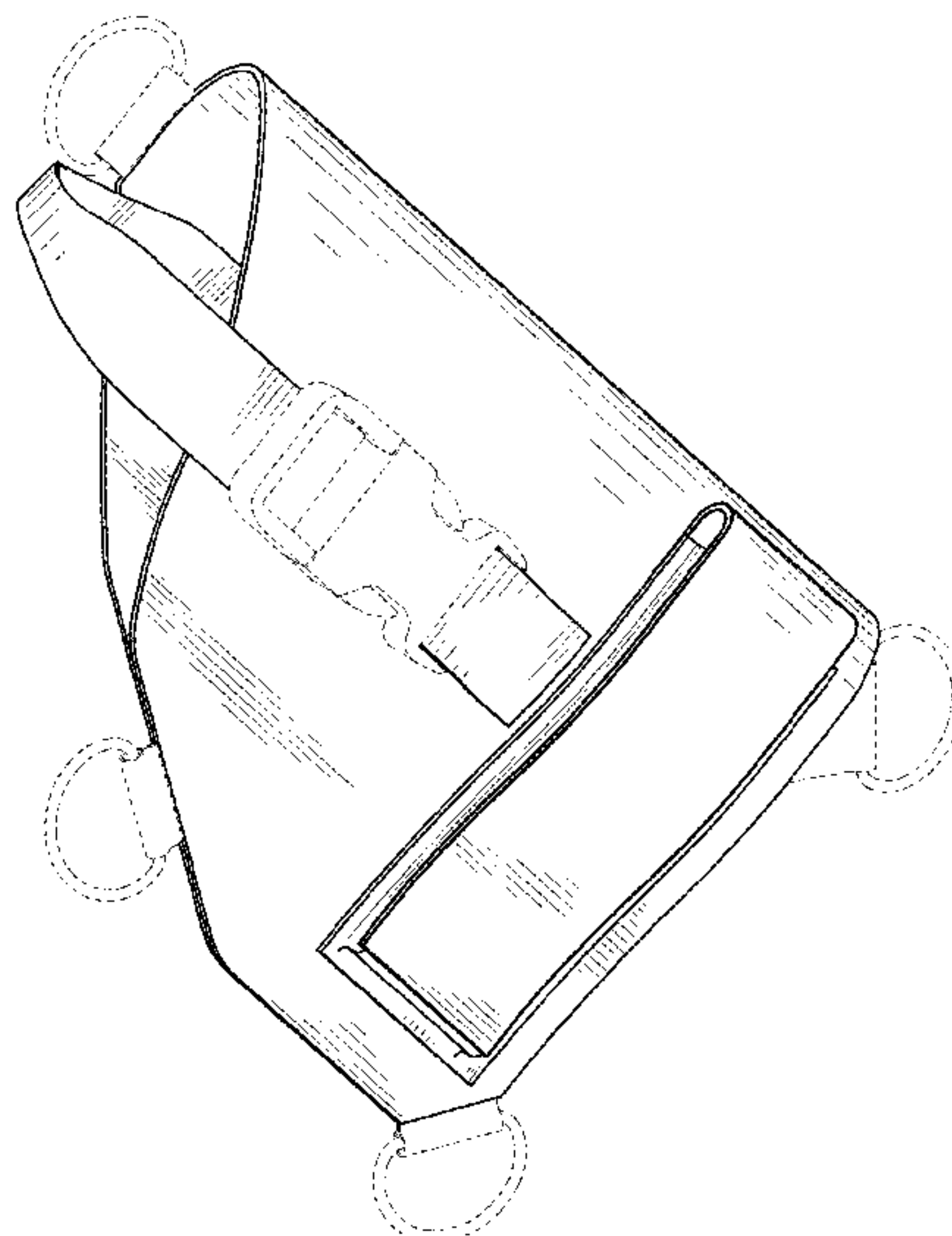
(57) **CLAIM**

The ornamental design for an open grip chest holster with magazine pouch, as shown and described.

**DESCRIPTION**

FIG. 1 is a front perspective view of the first embodiment of my new open grip chest holster with magazine pouch; FIG. 2 is a top view of my new open grip chest holster with magazine pouch; FIG. 3 is a bottom view of my new open grip chest holster with magazine pouch; FIG. 4 is a rear view of my new open grip chest holster with magazine pouch; FIG. 5 is a front view of my new open grip chest holster with magazine pouch; FIG. 6 is a right-side view of my new open grip chest holster with magazine pouch; FIG. 7 is a left-side view of my new open grip chest holster with magazine pouch; FIG. 8 is a front perspective view of a second embodiment of my new open grip chest holster with magazine pouch; FIG. 9 is a top view of my new open grip chest holster with magazine pouch; and FIG. 10 is a bottom view of my new open grip chest holster with magazine pouch. FIG. 11 is a rear view of my new open grip chest holster with magazine pouch; FIG. 12 is a front view of my new open grip chest holster with magazine pouch; FIG. 13 is a right-side view of my new open grip chest holster with magazine pouch; and, FIG. 14 is a left-side view of my new open grip chest holster with magazine pouch. The broken lines depict environment and are included for the purpose of illustrating only and form no part of the claimed design.

**1 Claim, 6 Drawing Sheets**



(56)

**References Cited**

U.S. PATENT DOCUMENTS

D292,648 S \* 11/1987 Remington ..... D3/222

\* cited by examiner

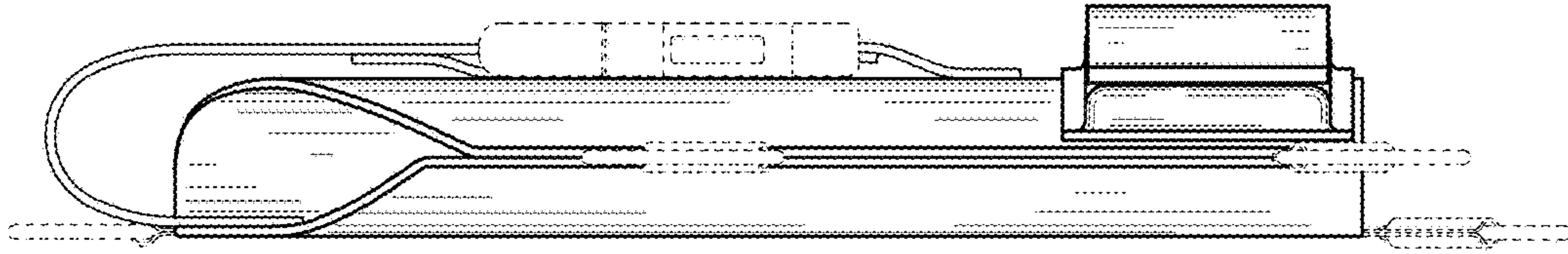


Fig. 3

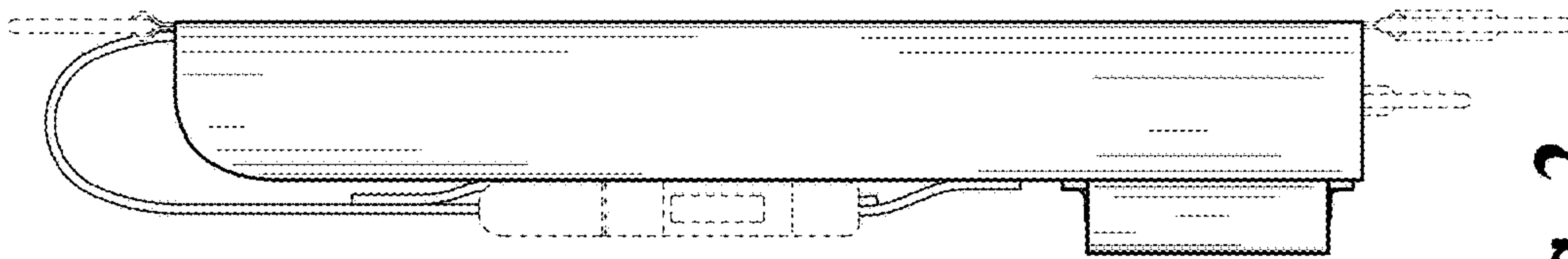


Fig. 2

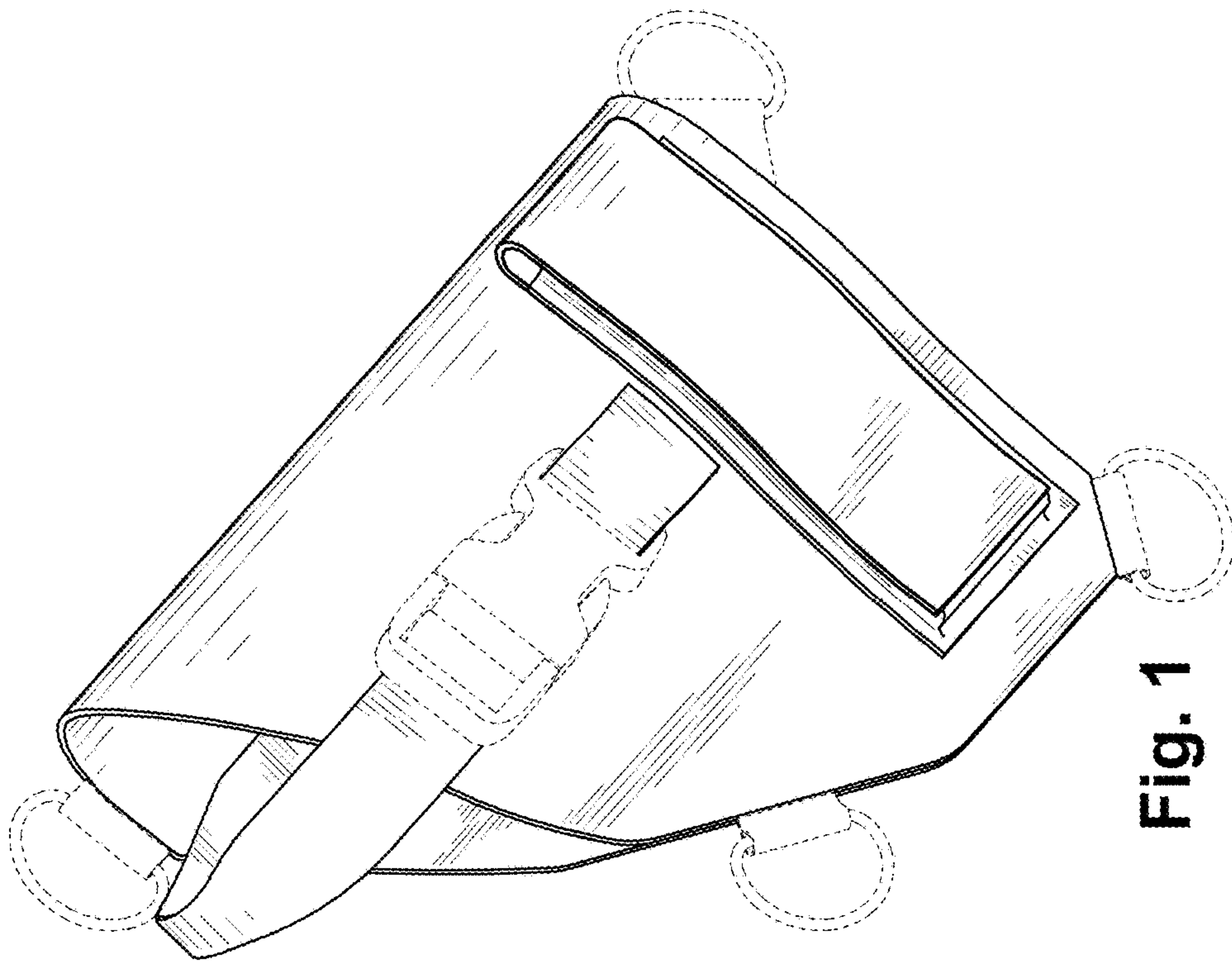


Fig. 1

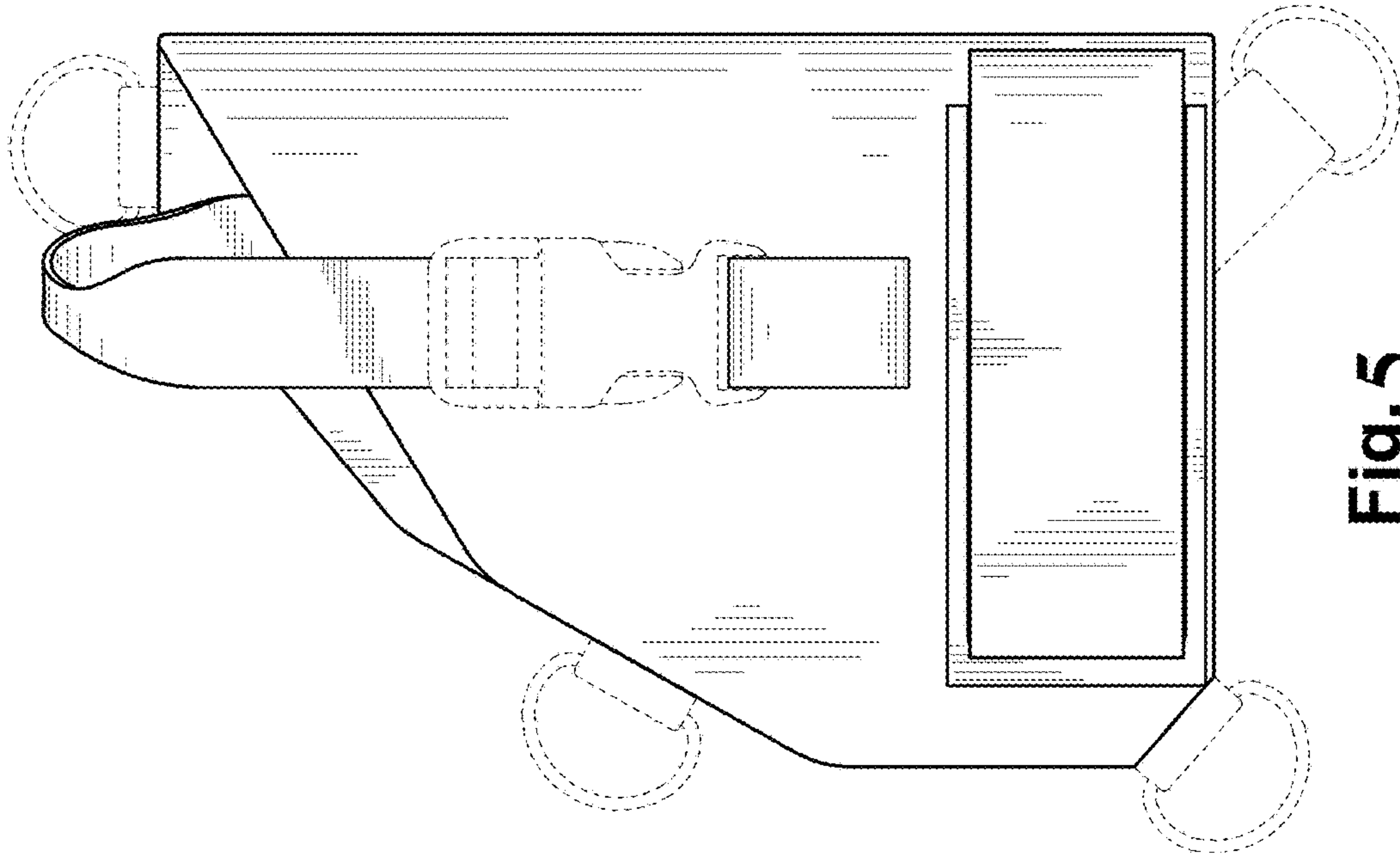


Fig. 5

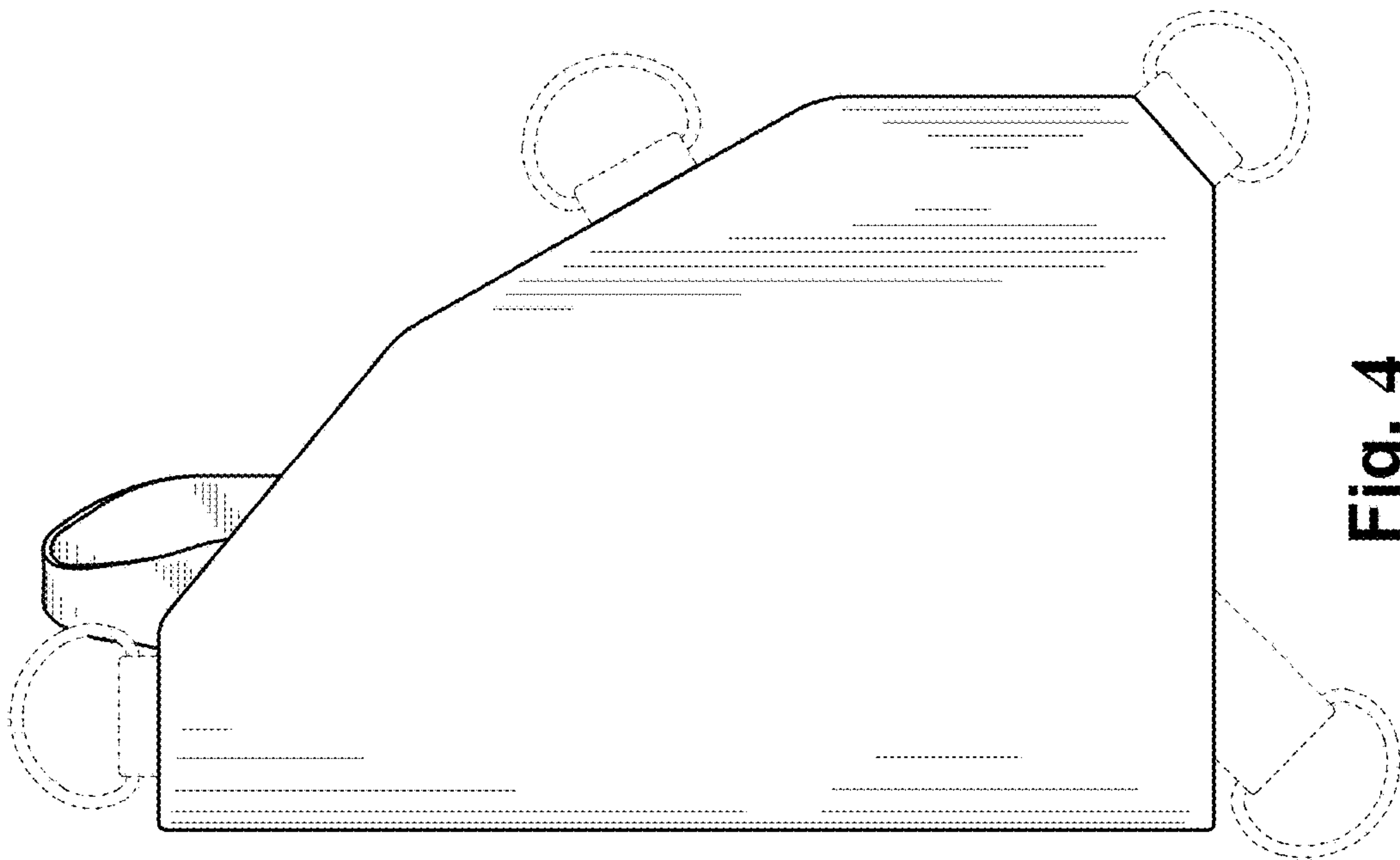
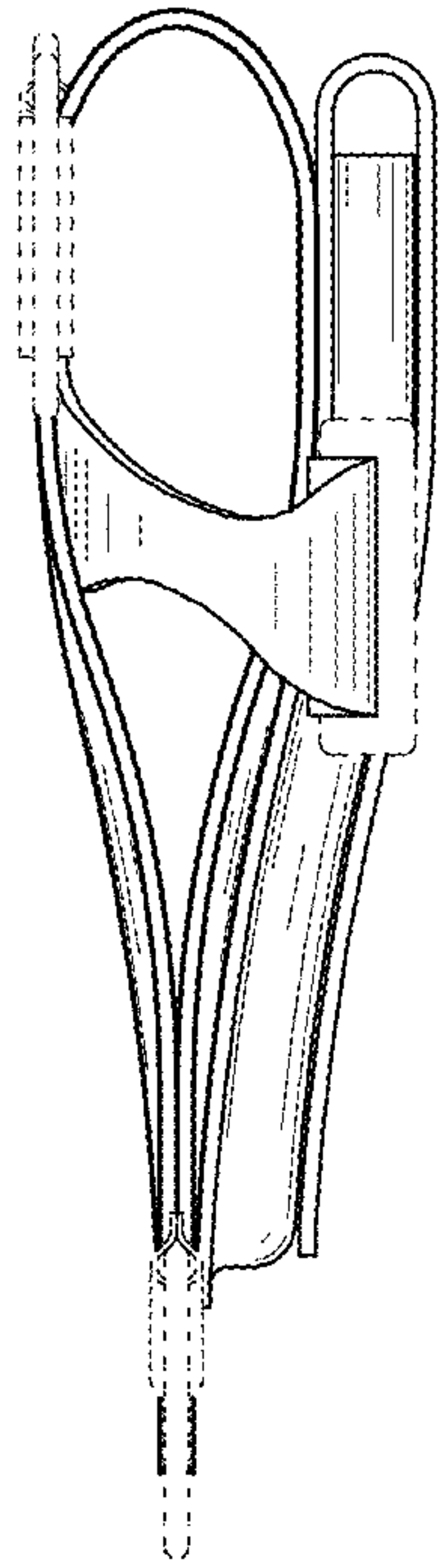
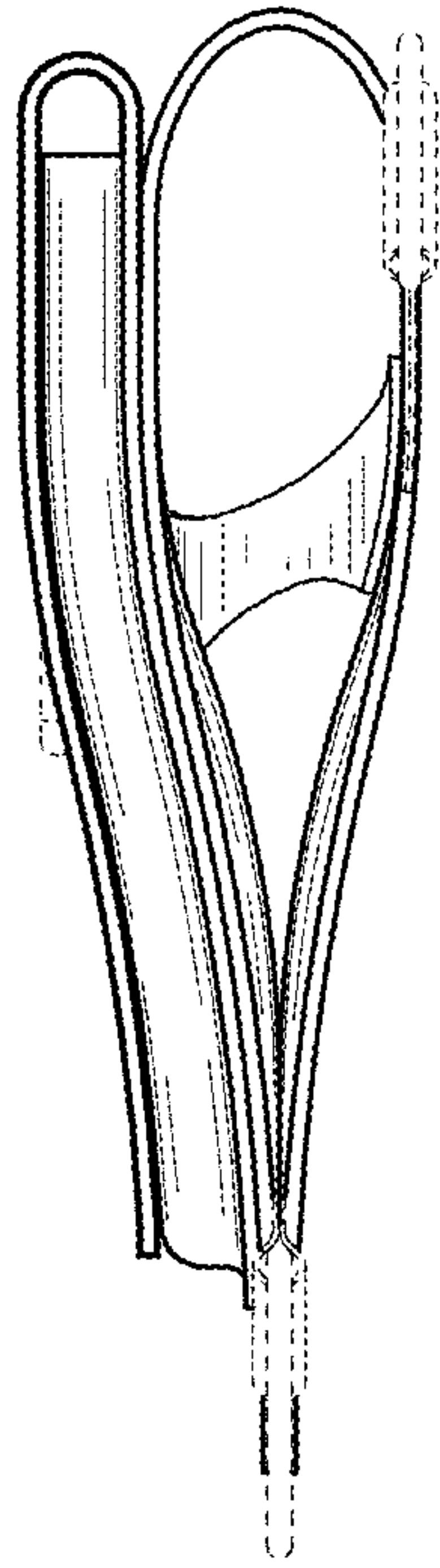


Fig. 4



**Fig. 6**



**Fig. 7**



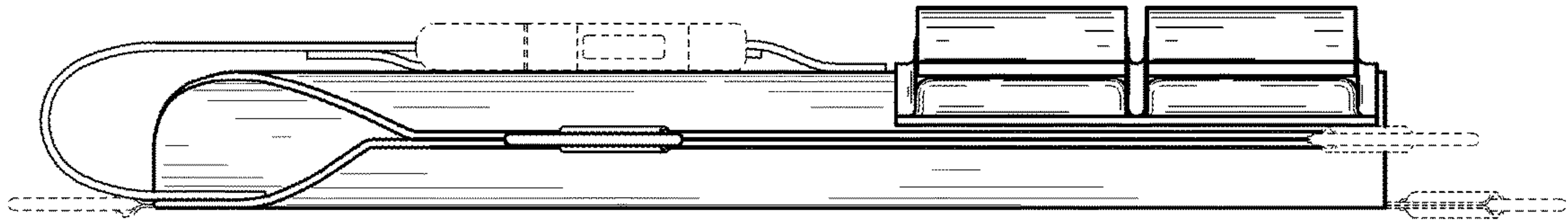


Fig. 10

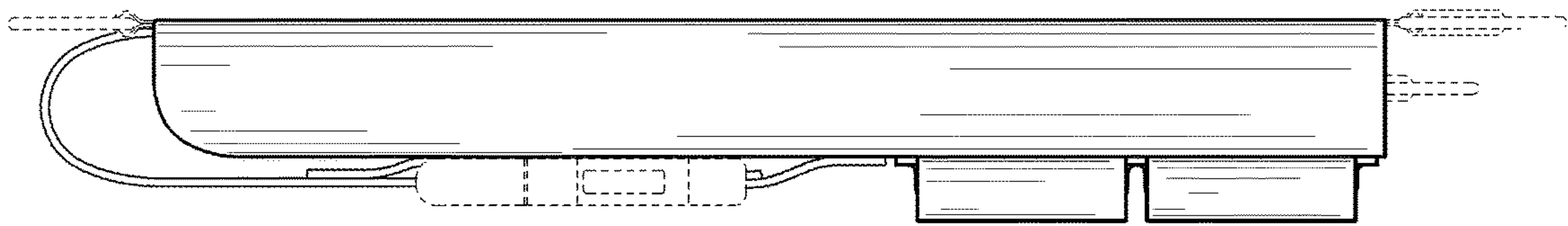


Fig. 9

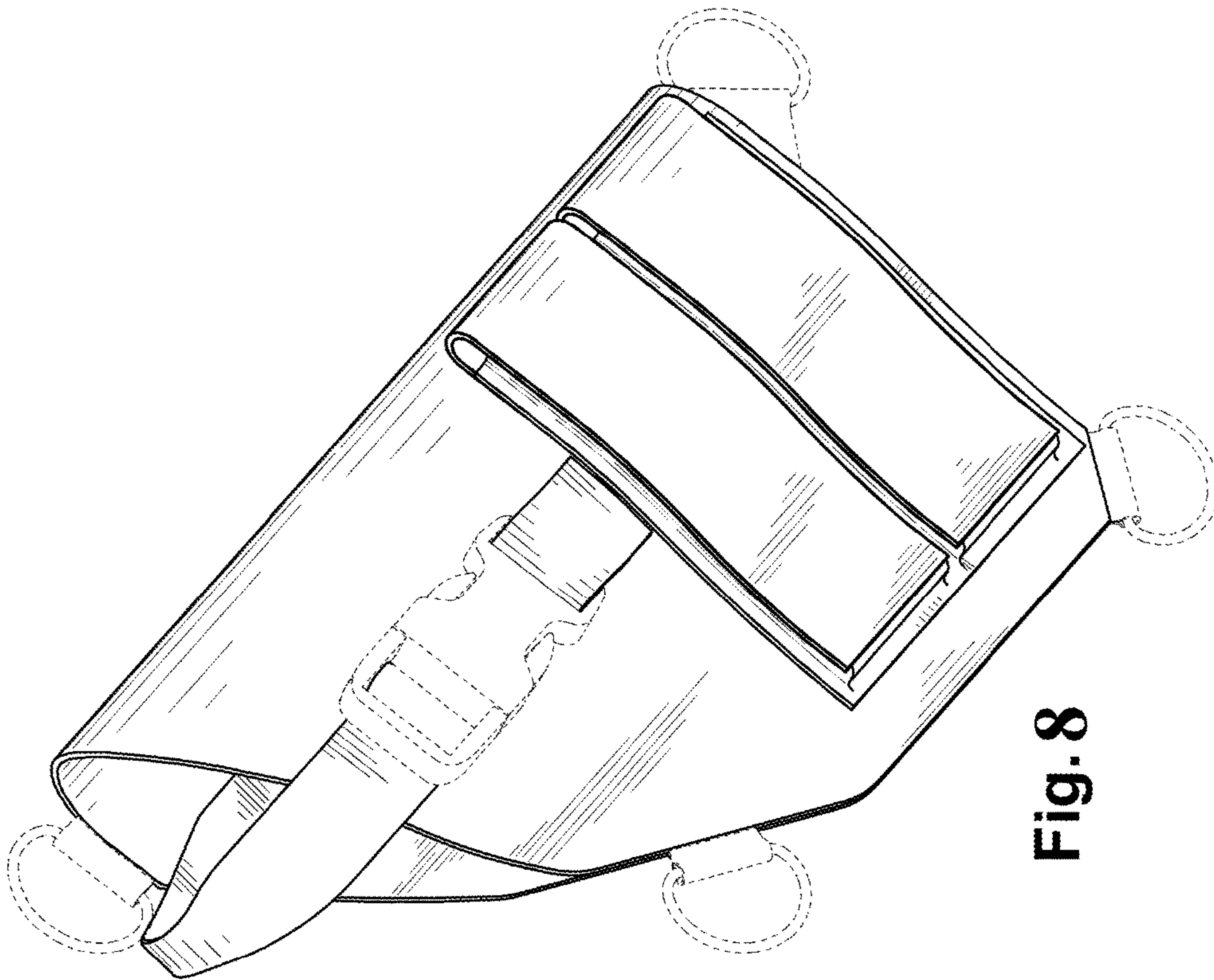


Fig. 8

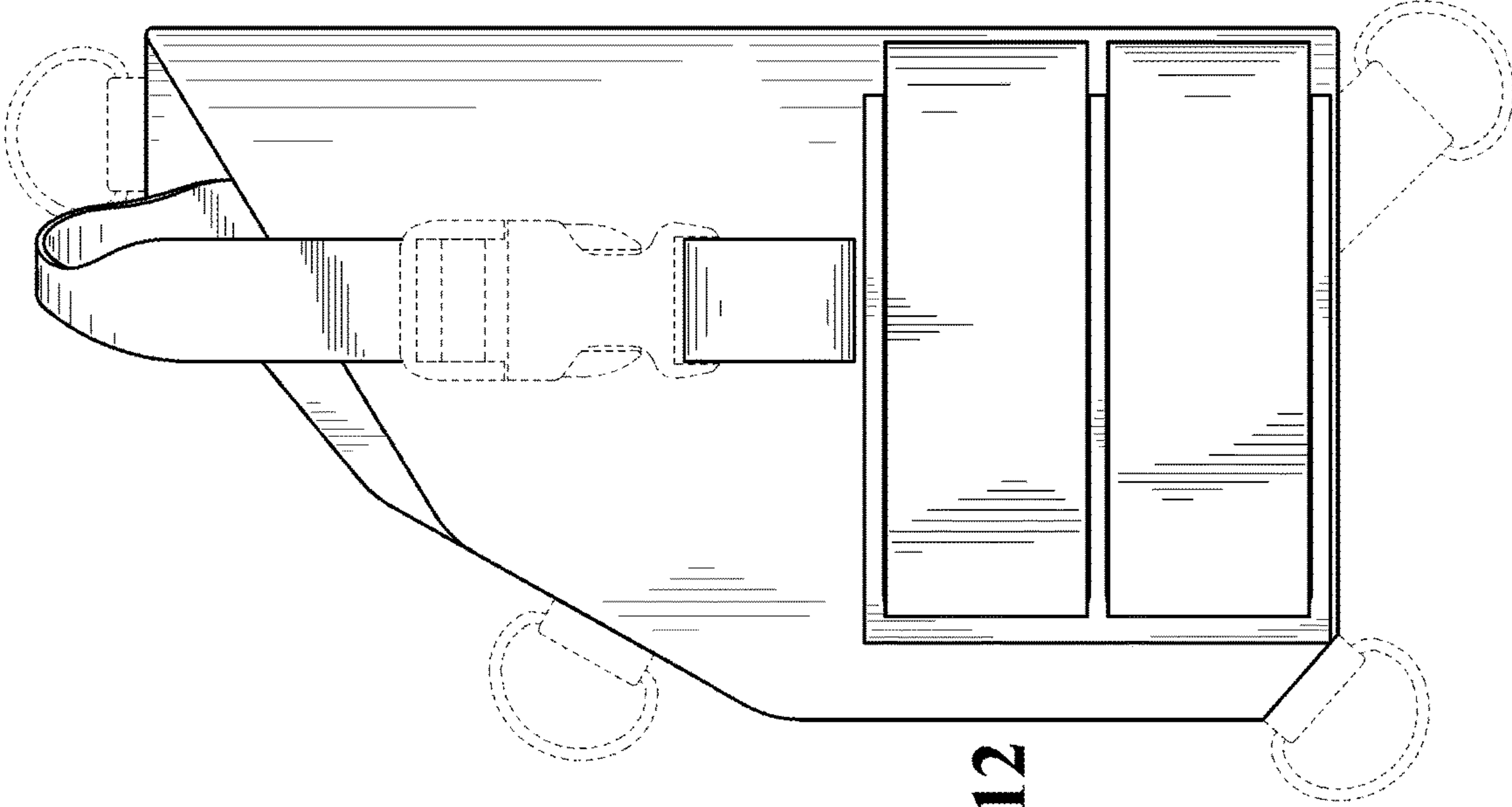


Fig. 12

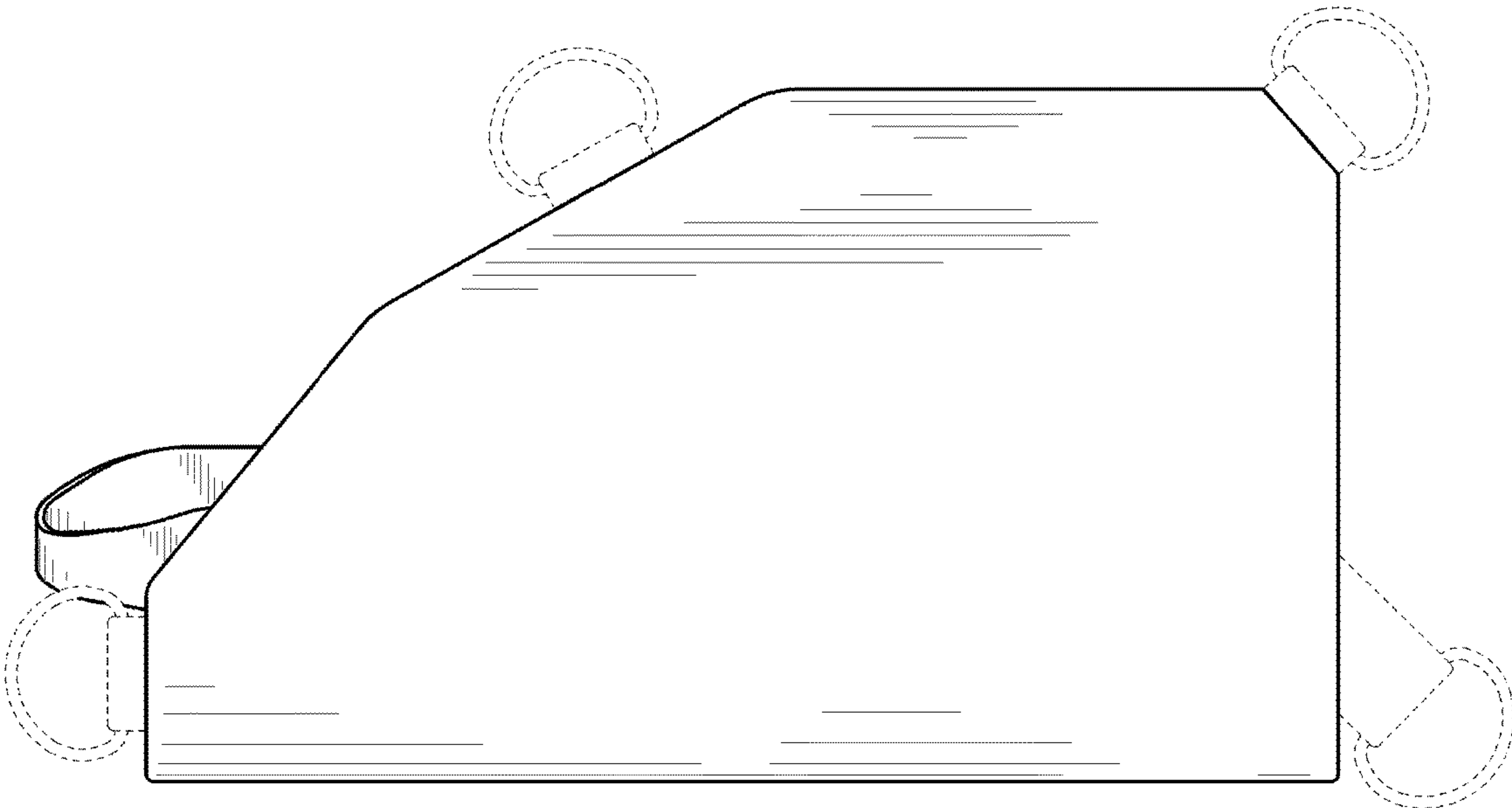
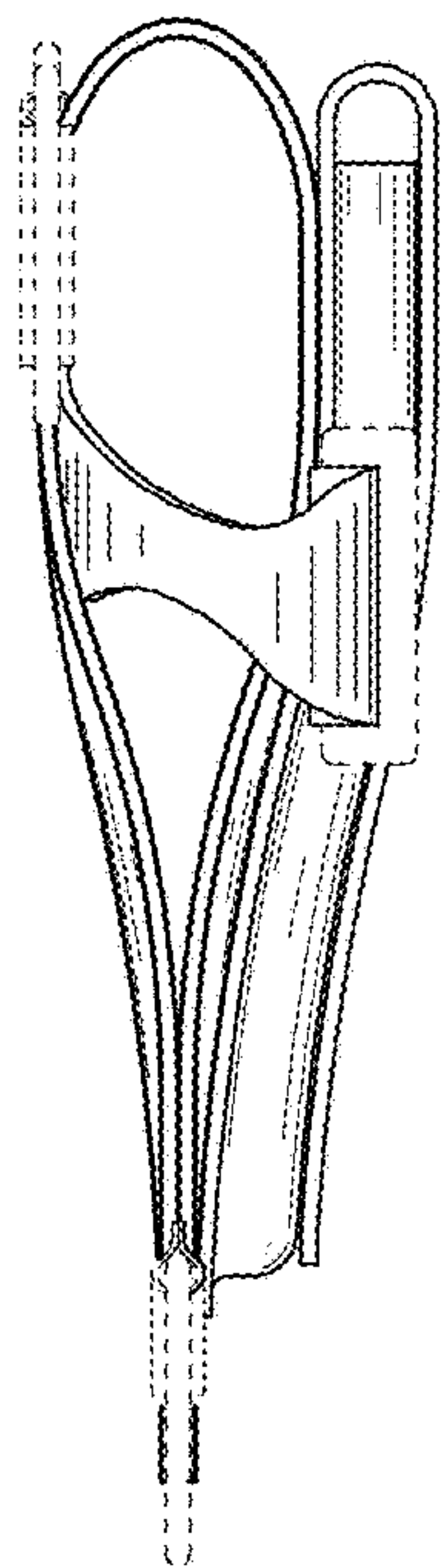
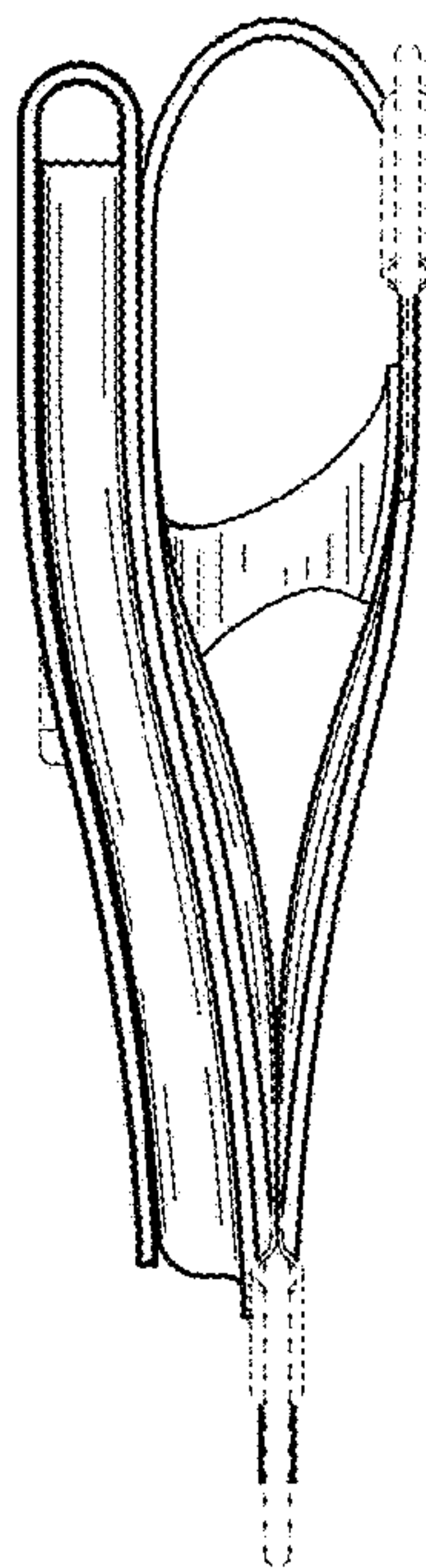


Fig. 11



**Fig. 13**



**Fig. 14**