



US00D789077S

(12) **United States Design Patent** (10) **Patent No.:** **US D789,077 S**
Seo (45) **Date of Patent:** **** Jun. 13, 2017**

(54) **SHEARS SHEATH**

(71) Applicant: **Lifetime Brands, Inc.**, Garden City, NY (US)

(72) Inventor: **Youngjin Seo**, Fresh Meadows, NY (US)

(73) Assignee: **LIFETIME BRANDS, INC.**, Garden City, NY (US)

(**) Term: **15 Years**

(21) Appl. No.: **29/552,295**

(22) Filed: **Jan. 21, 2016**

(51) **LOC (10) Cl.** **03-01**

(52) **U.S. Cl.**
USPC **D3/220; D8/93**

(58) **Field of Classification Search**
USPC D8/57, 91, 92, 93; D3/220
CPC B24D 15/063; B24D 15/084; B24D 15/00;
B26B 29/00; B26B 29/02
See application file for complete search history.

(56) **References Cited**

U.S. PATENT DOCUMENTS

4,495,696 A * 1/1985 Fethke B24D 15/063
30/138

D279,951 S * 8/1985 Winyard D7/638

4,654,968 A * 4/1987 Gatley B26B 29/025
30/138

4,805,350 A * 2/1989 Farrer B24D 15/084
30/138

D303,731 S * 10/1989 Blochlinger D3/220
5,009,040 A * 4/1991 Petroff B24D 15/084
30/138

5,121,659 A * 6/1992 Williams B24D 15/084
451/555

D339,963 S * 10/1993 Roberts D7/638

D341,753 S * 11/1993 Winyard D7/638

5,784,786 A * 7/1998 Williams B26B 29/025
30/138

D424,906 S * 5/2000 May D3/220

6,224,475 B1 * 5/2001 May B24D 15/084
30/298.4

D591,040 S * 4/2009 Foster D3/220

8,590,427 B2 * 11/2013 Murphy B24D 15/084
206/349

2016/0243674 A1 * 8/2016 Lin B24D 15/084

* cited by examiner

Primary Examiner — Phillip S Hyder
(74) *Attorney, Agent, or Firm* — Tutunjian & Bitetto, P.C.

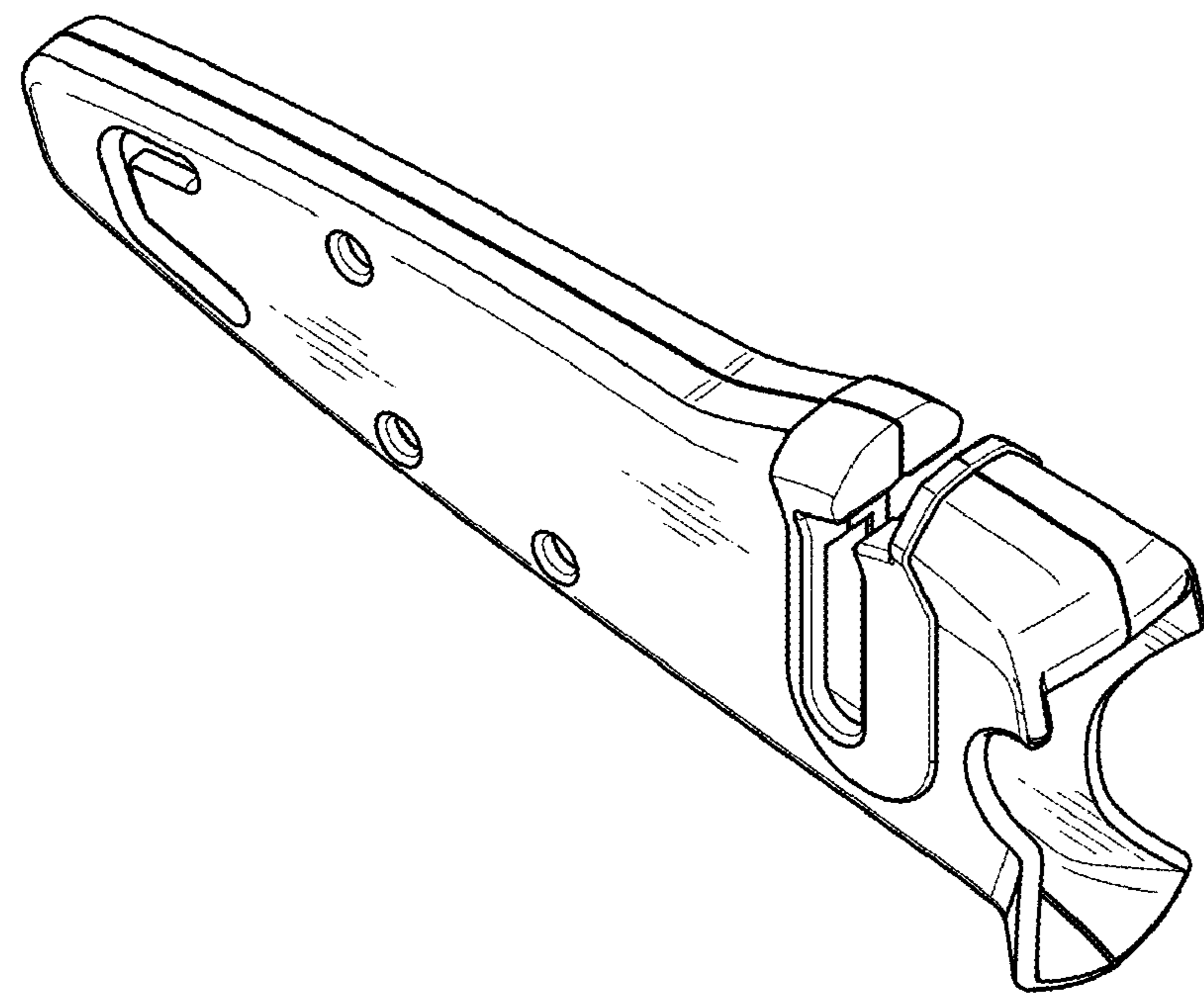
(57) **CLAIM**

The ornamental design for a shears sheath, as shown and described.

DESCRIPTION

FIG. 1 is a perspective view of the shears sheath showing my new design;
FIG. 2 is a left side view thereof;
FIG. 3 is a front view thereof;
FIG. 4 is right side view thereof;
FIG. 5 is a rear view thereof;
FIG. 6 is a top view thereof; and,
FIG. 7 is a bottom view thereof.

1 Claim, 2 Drawing Sheets



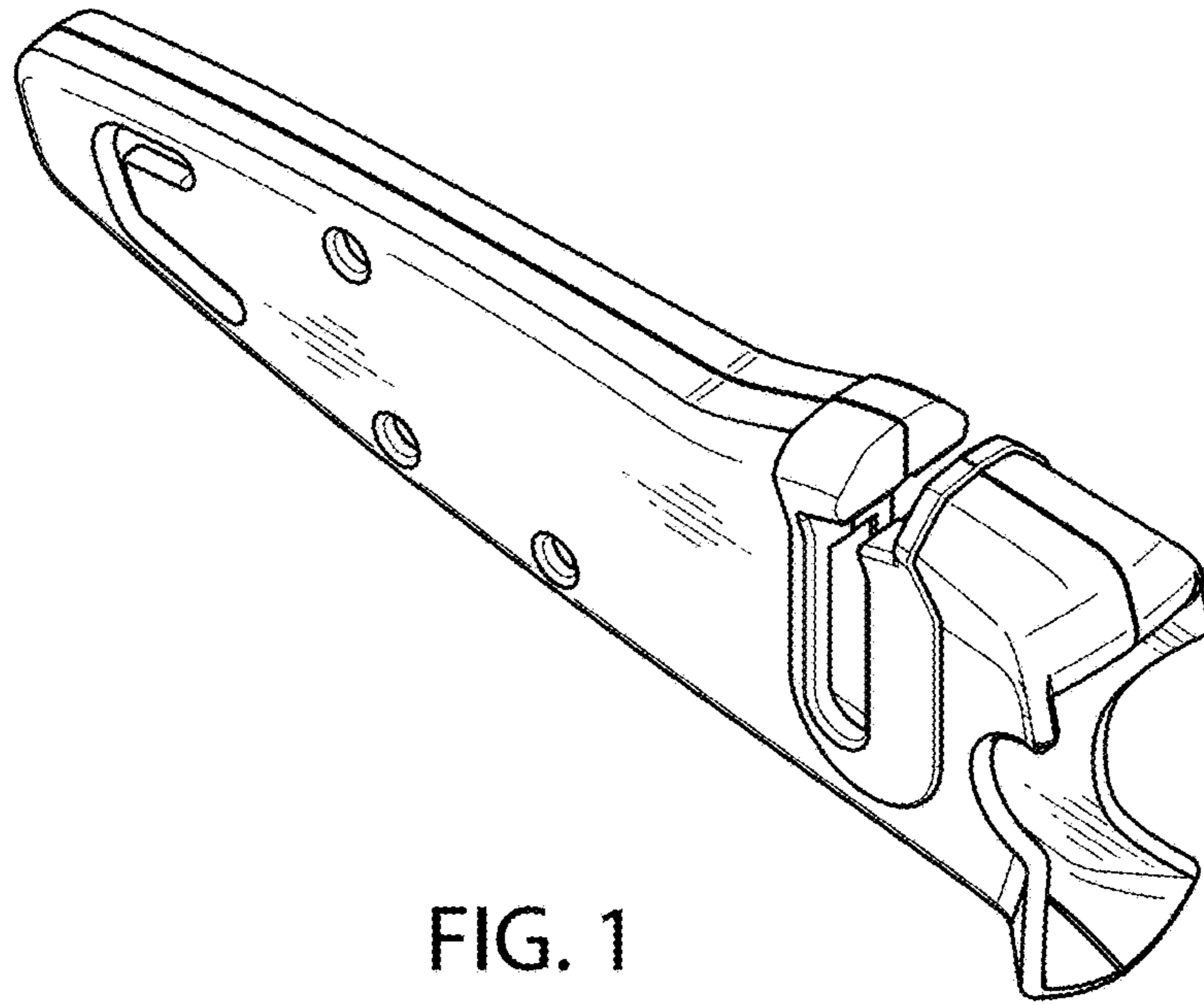


FIG. 1

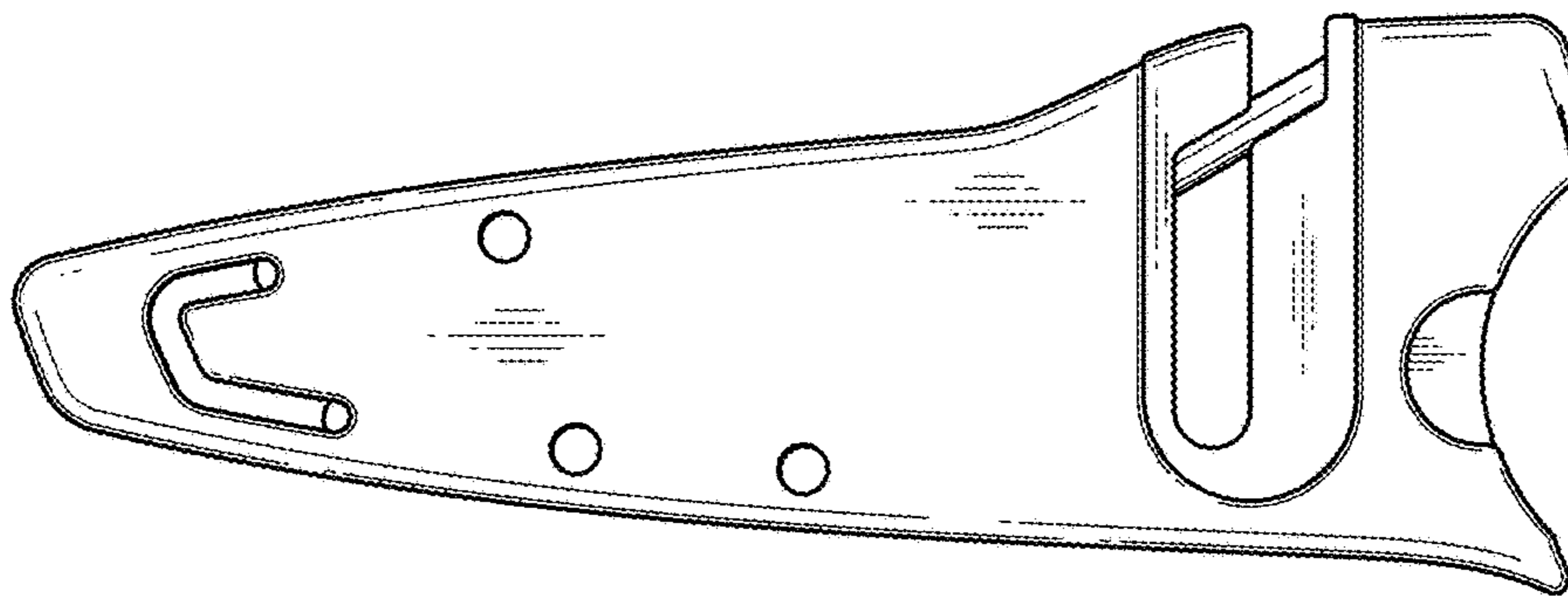


FIG. 2

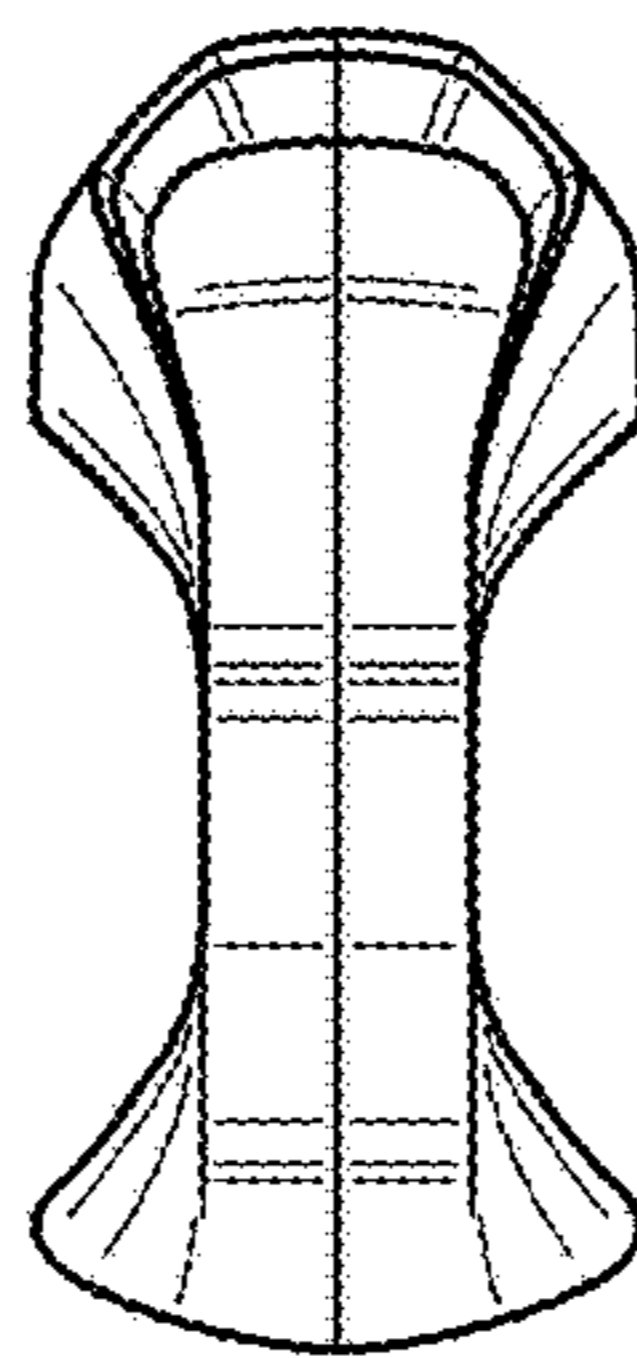


FIG. 3

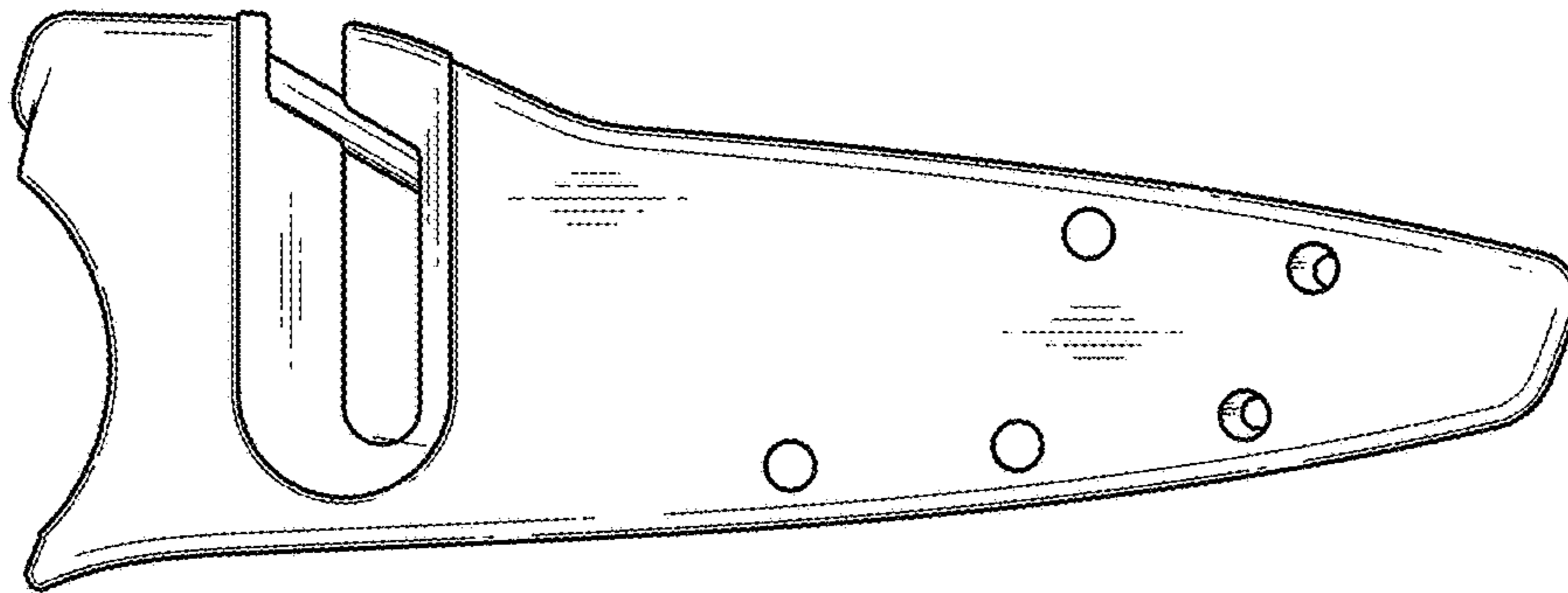


FIG. 4

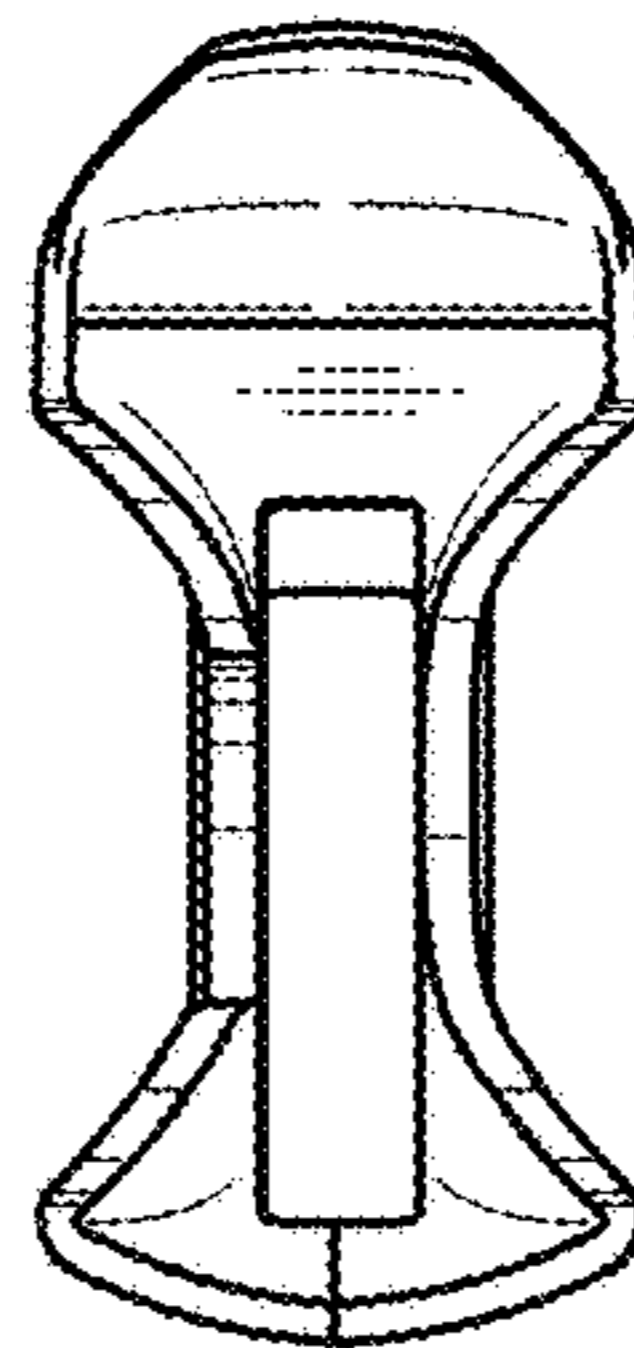


FIG. 5

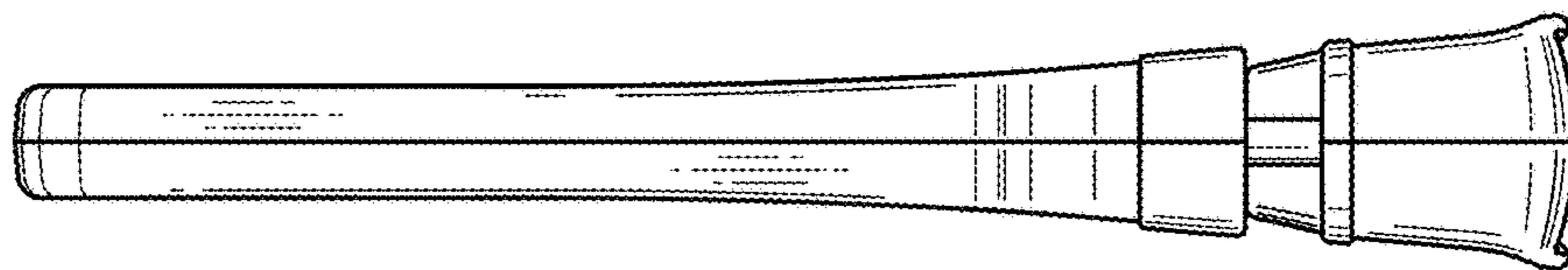


FIG. 6

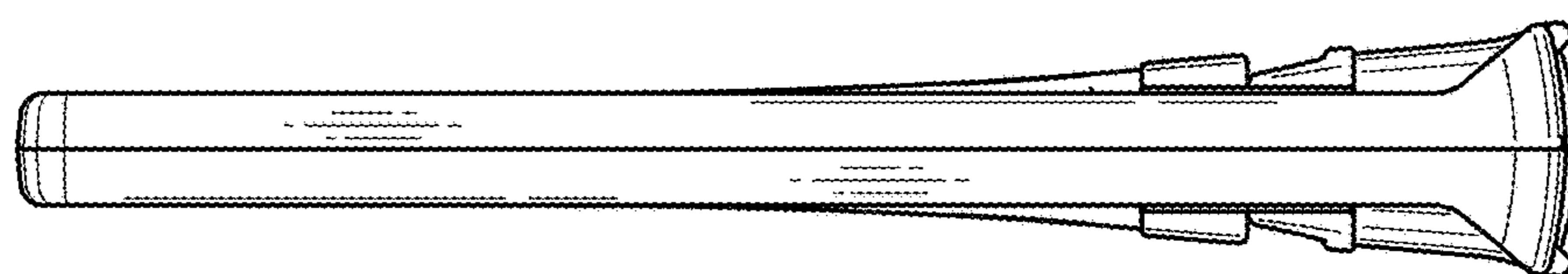


FIG. 7