



US00D789076S

(12) **United States Design Patent**  
**Pierre**

(10) **Patent No.:** **US D789,076 S**

(45) **Date of Patent:** **\*\* Jun. 13, 2017**

(54) **PHONE HOLDING DEVICE**

(71) Applicant: **Yvon Pierre**, Jamaica, NY (US)

(72) Inventor: **Yvon Pierre**, Jamaica, NY (US)

(\*\*) Term: **15 Years**

(21) Appl. No.: **29/565,282**

(22) Filed: **May 19, 2016**

(51) **LOC (10) Cl.** ..... **03-01**

(52) **U.S. Cl.**  
USPC ..... **D3/218**

(58) **Field of Classification Search**  
USPC ..... D3/218, 215, 227, 219; 224/197, 219,  
224/222, 267, 930; 206/305, 320  
CPC ..... A45F 5/00; A45F 5/02; A45F 2005/008;  
A45F 2200/0516  
See application file for complete search history.

(56) **References Cited**

**U.S. PATENT DOCUMENTS**

8,328,055 B1 \* 12/2012 Snyder ..... A45F 5/00  
224/197  
D716,040 S \* 10/2014 Soriano ..... D3/218

D741,594 S \* 10/2015 Morgan ..... D3/218  
D759,958 S \* 6/2016 Requa ..... D3/218  
D779,193 S \* 2/2017 Jusino ..... D3/218  
D782,184 S \* 3/2017 Harris ..... D3/218

\* cited by examiner

*Primary Examiner* — Catheri Oliver-Garcia

(74) *Attorney, Agent, or Firm* — Vincent G. LoTempio;  
Kloss, Stenger & LoTempio; David T. Stephenson

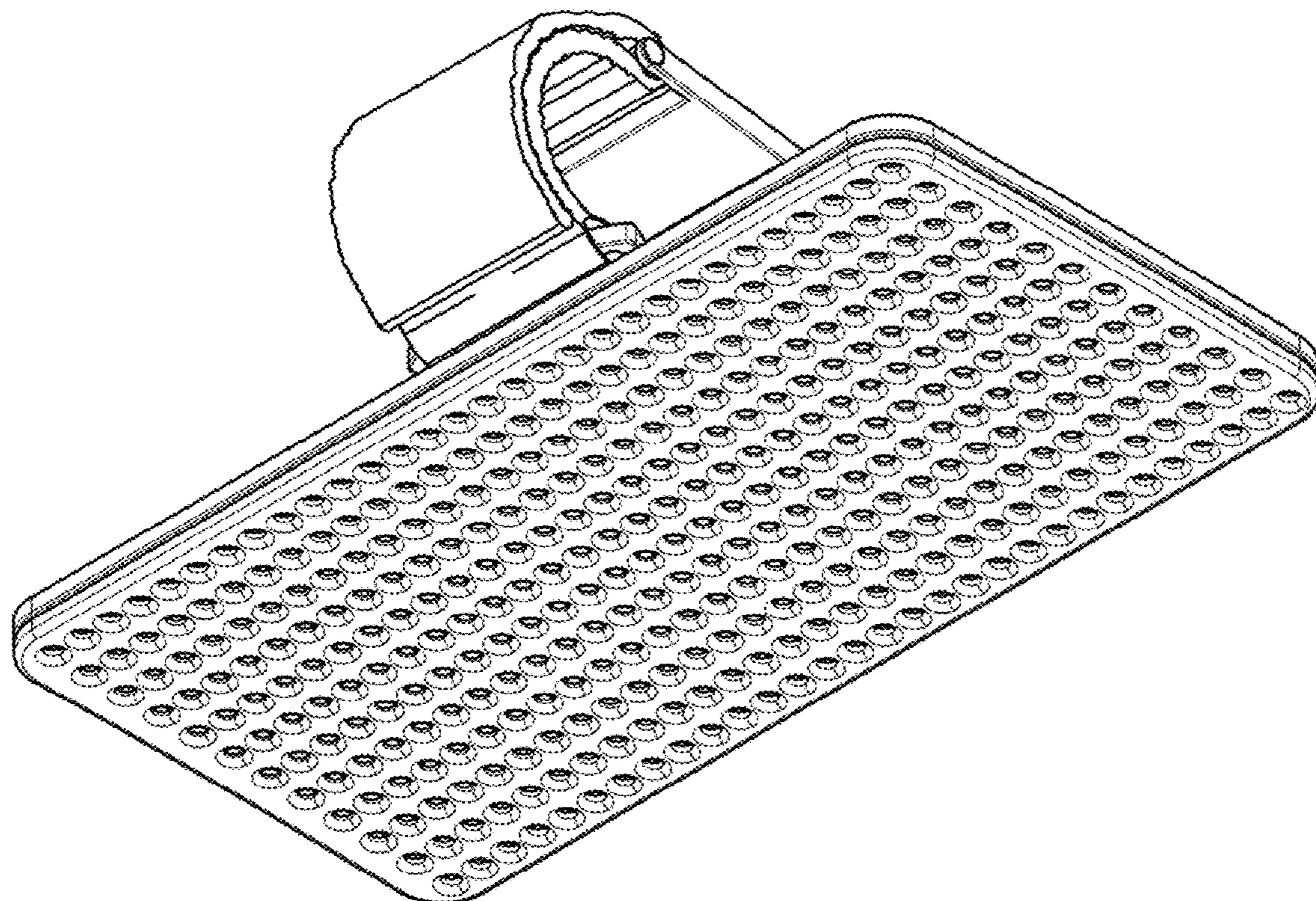
(57) **CLAIM**

The ornamental design for a phone holding device, as shown and described.

**DESCRIPTION**

FIG. 1 is a top perspective view of the phone holding device showing my new design;  
FIG. 2 is a front elevational view thereof;  
FIG. 3 is rear elevational view thereof;  
FIG. 4 is a left side elevational view thereof;  
FIG. 5 is a right side elevational view thereof;  
FIG. 6 is a front elevational view thereof;  
FIG. 7 is a rear elevational view thereof;  
FIG. 8 is a rear left perspective view thereof; and,  
FIG. 9 is a rear right perspective view.

**1 Claim, 3 Drawing Sheets**



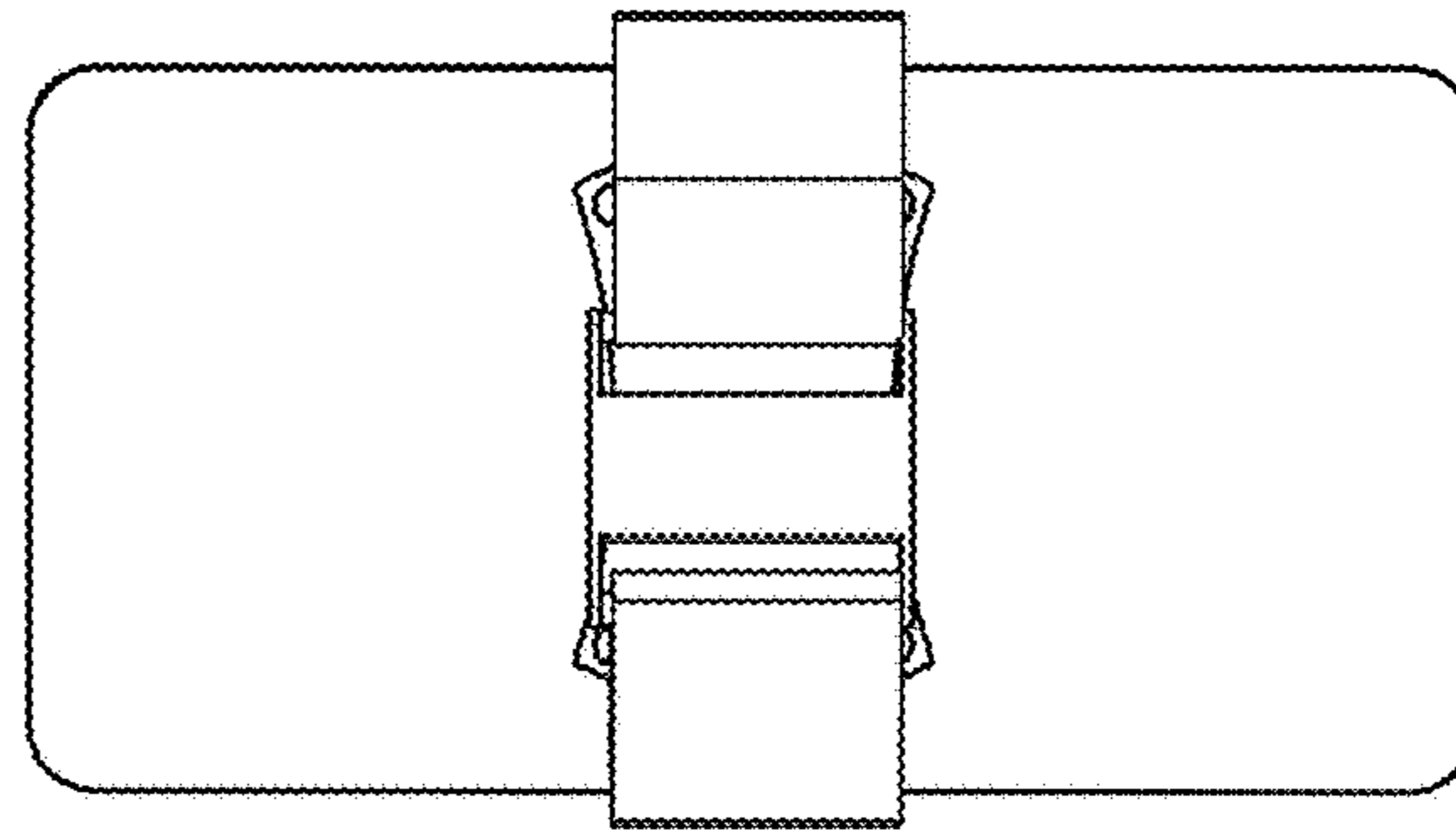


FIG. 3

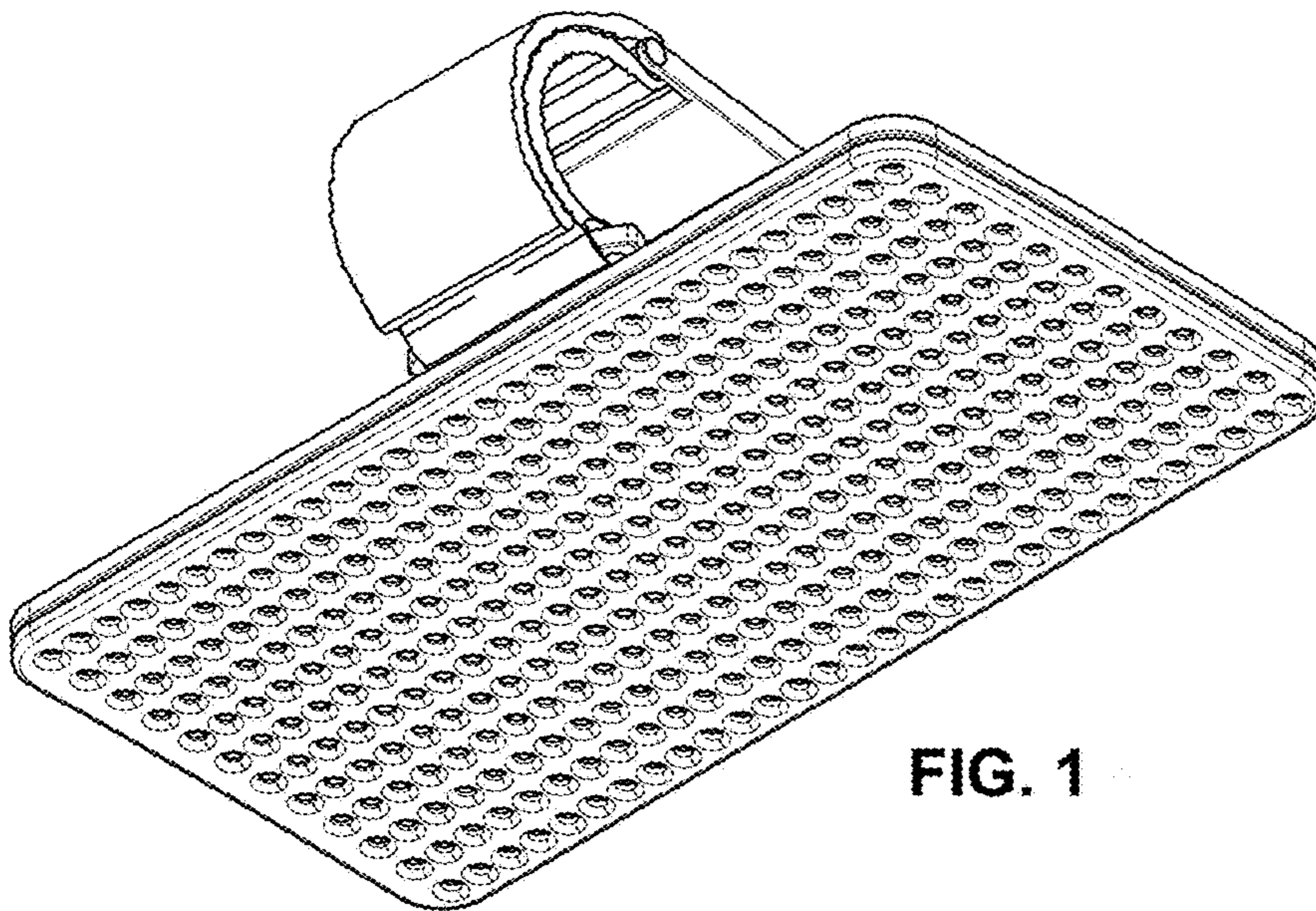


FIG. 1

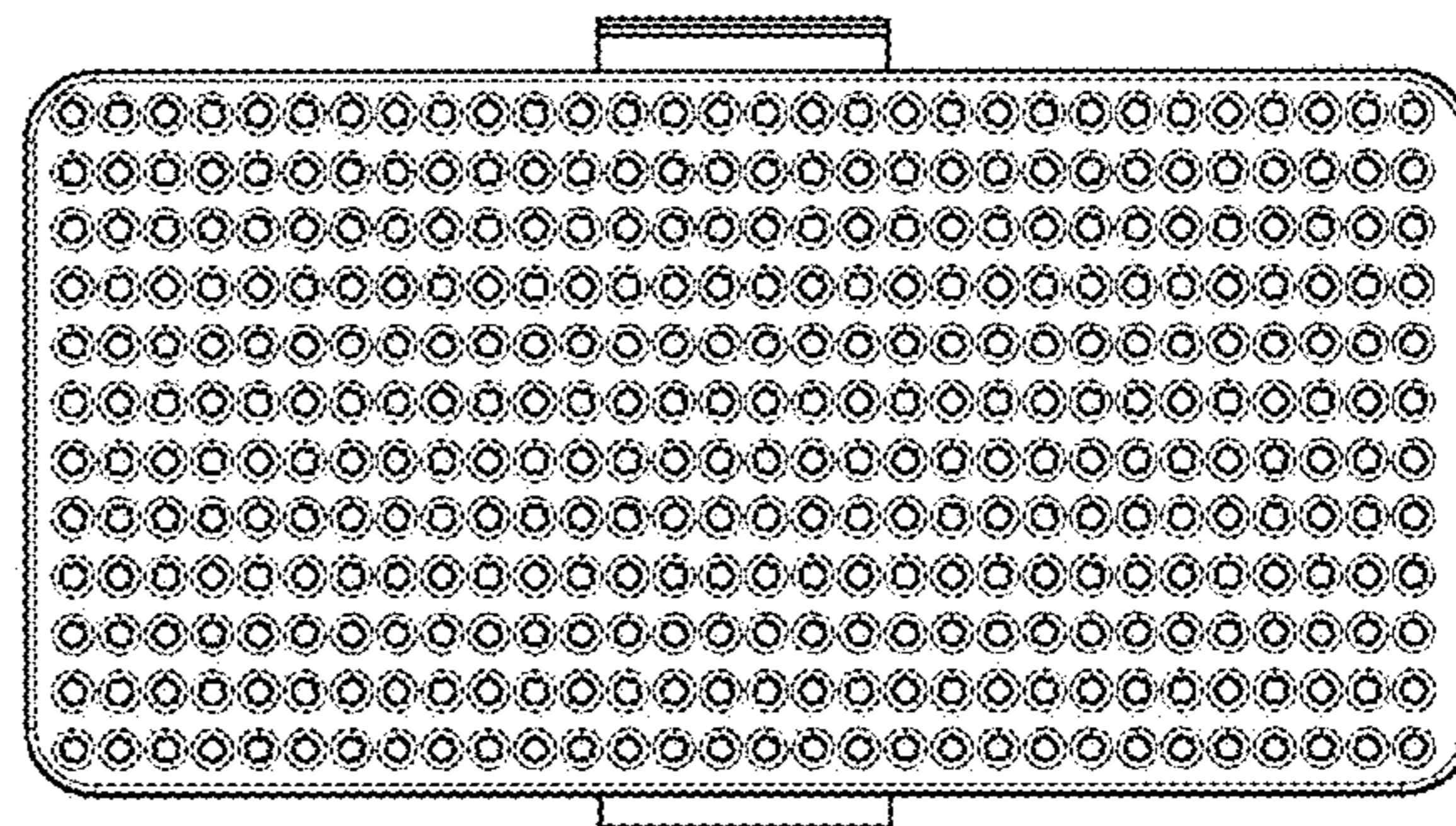


FIG. 2

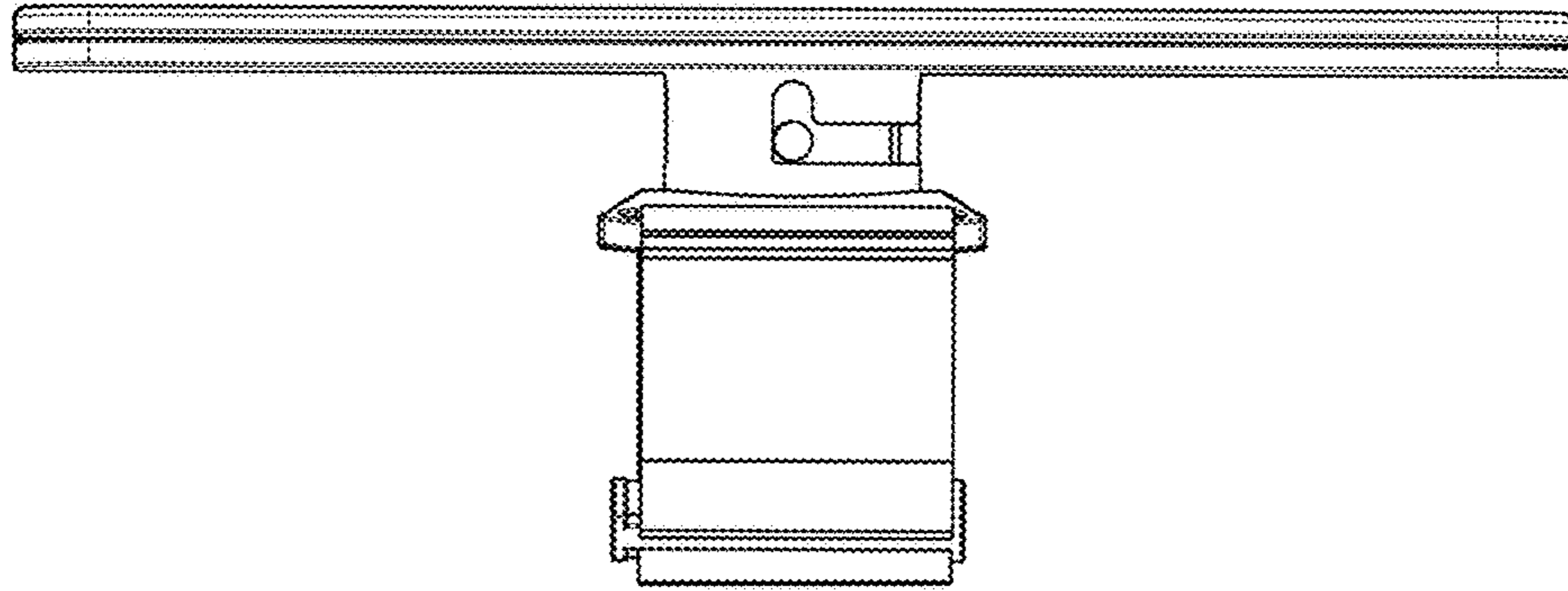


FIG. 5

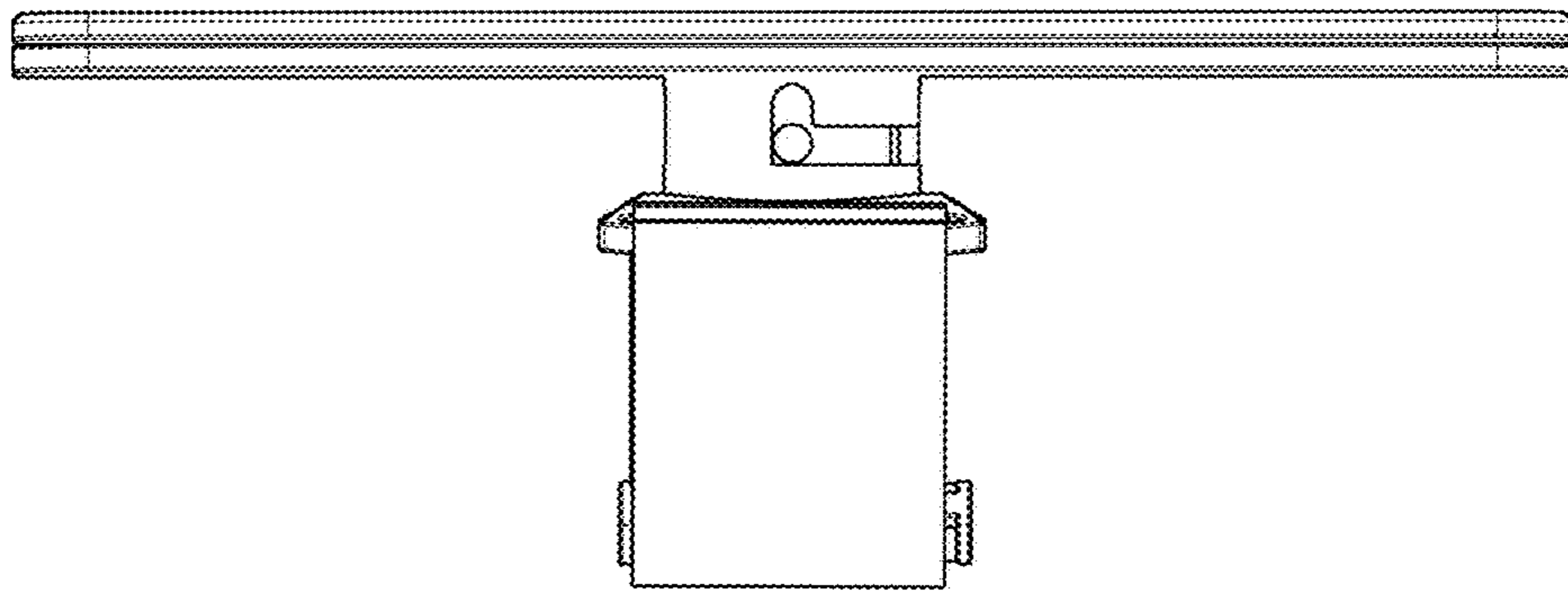


FIG. 4

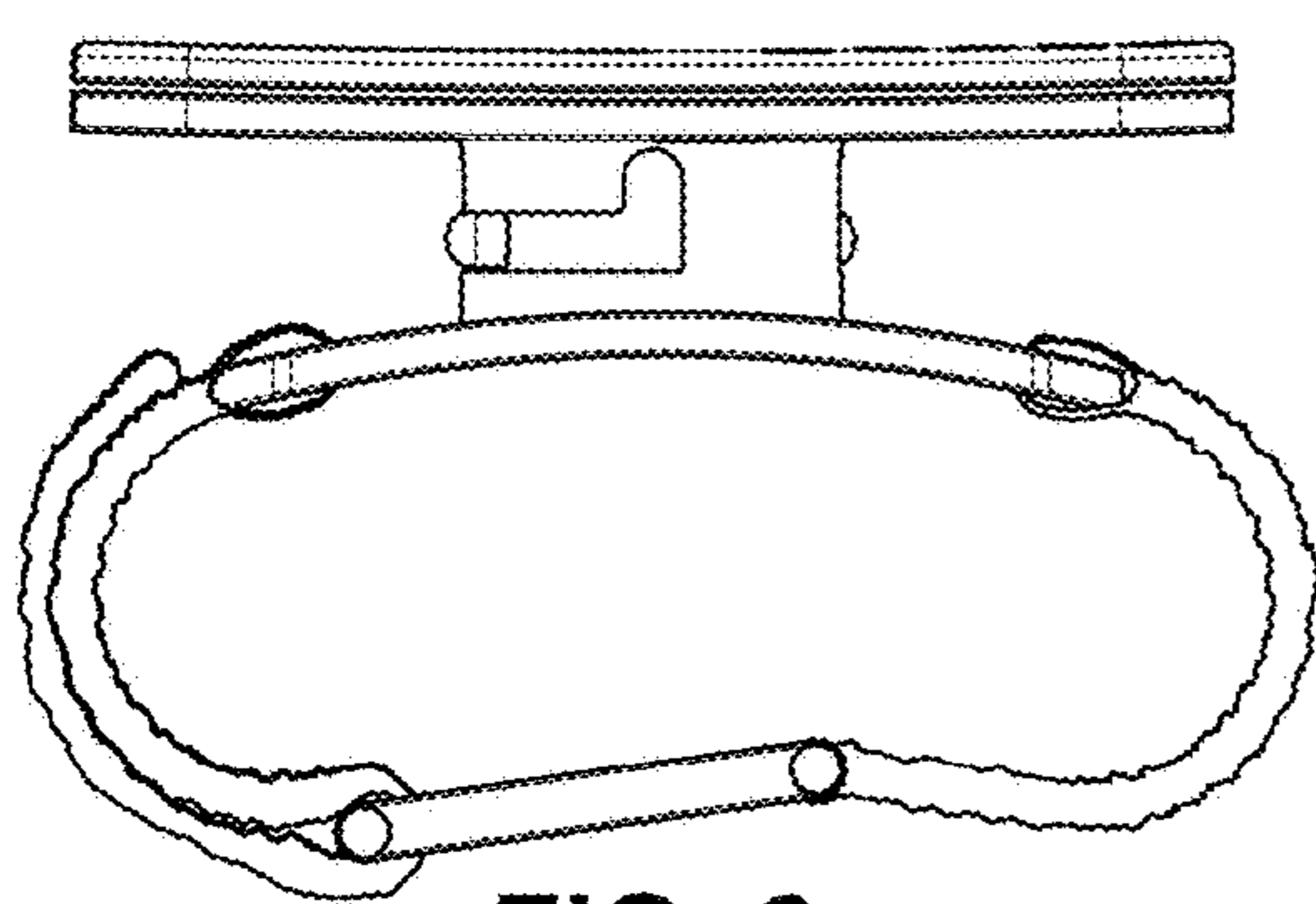


FIG. 6

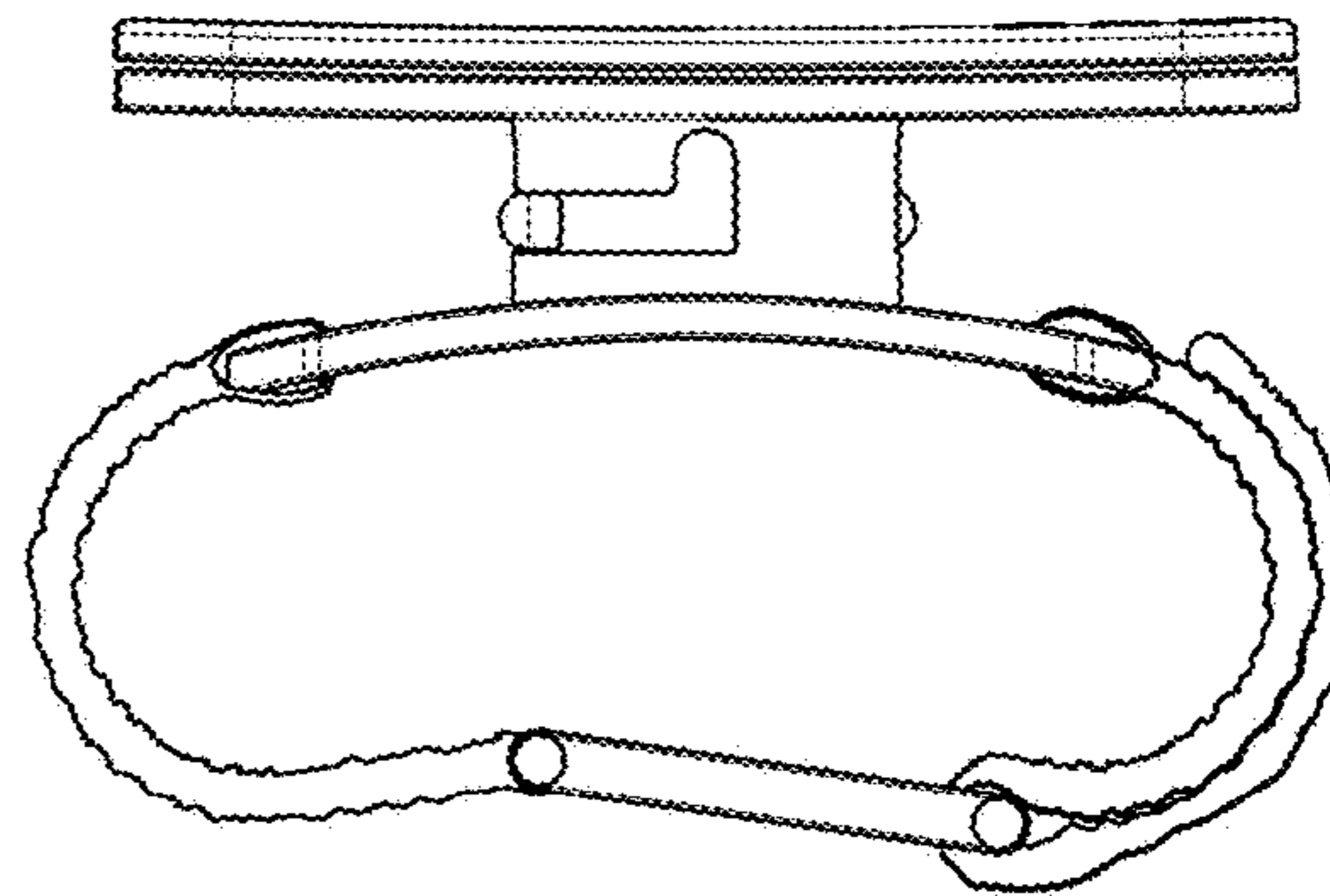
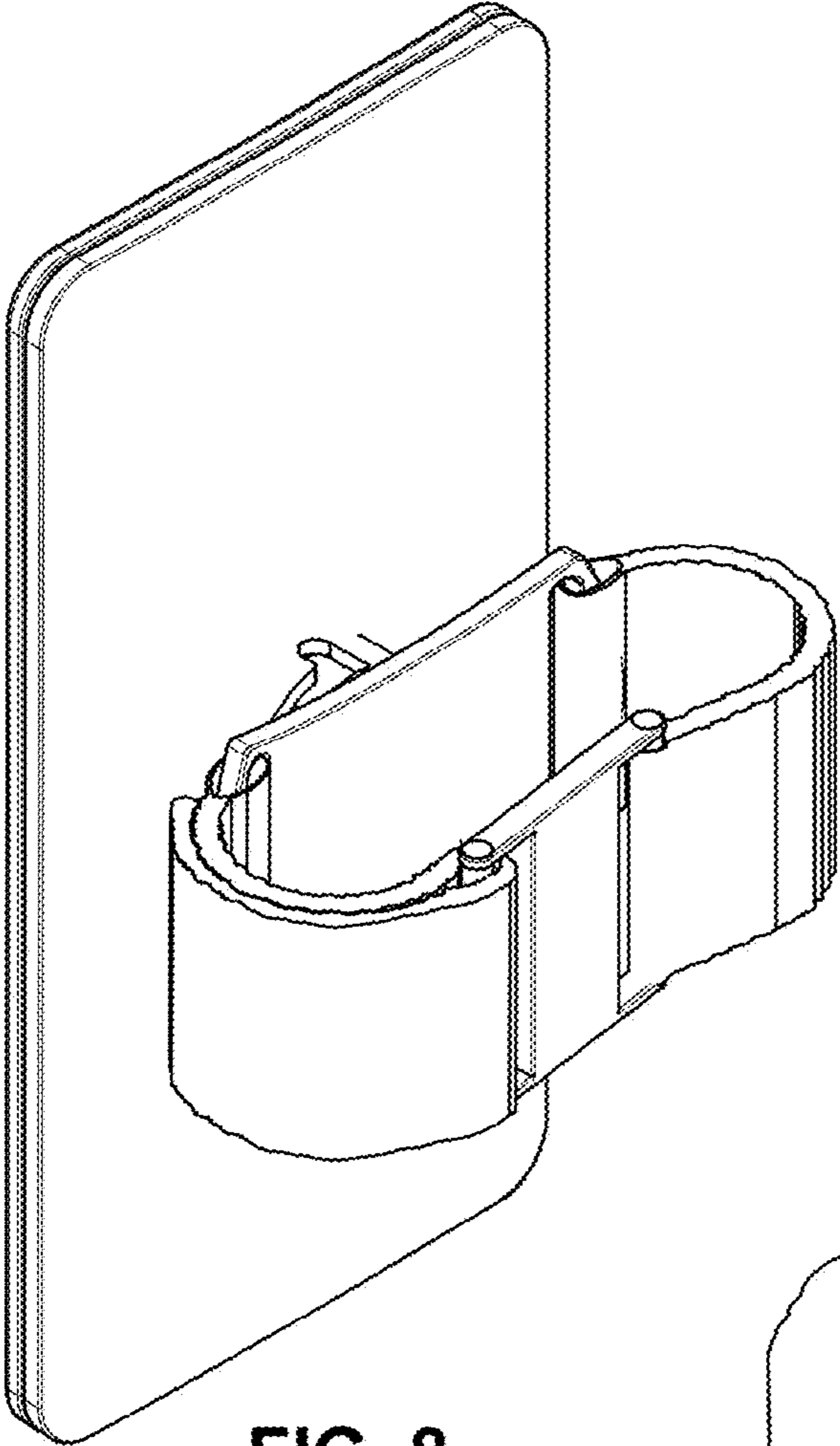
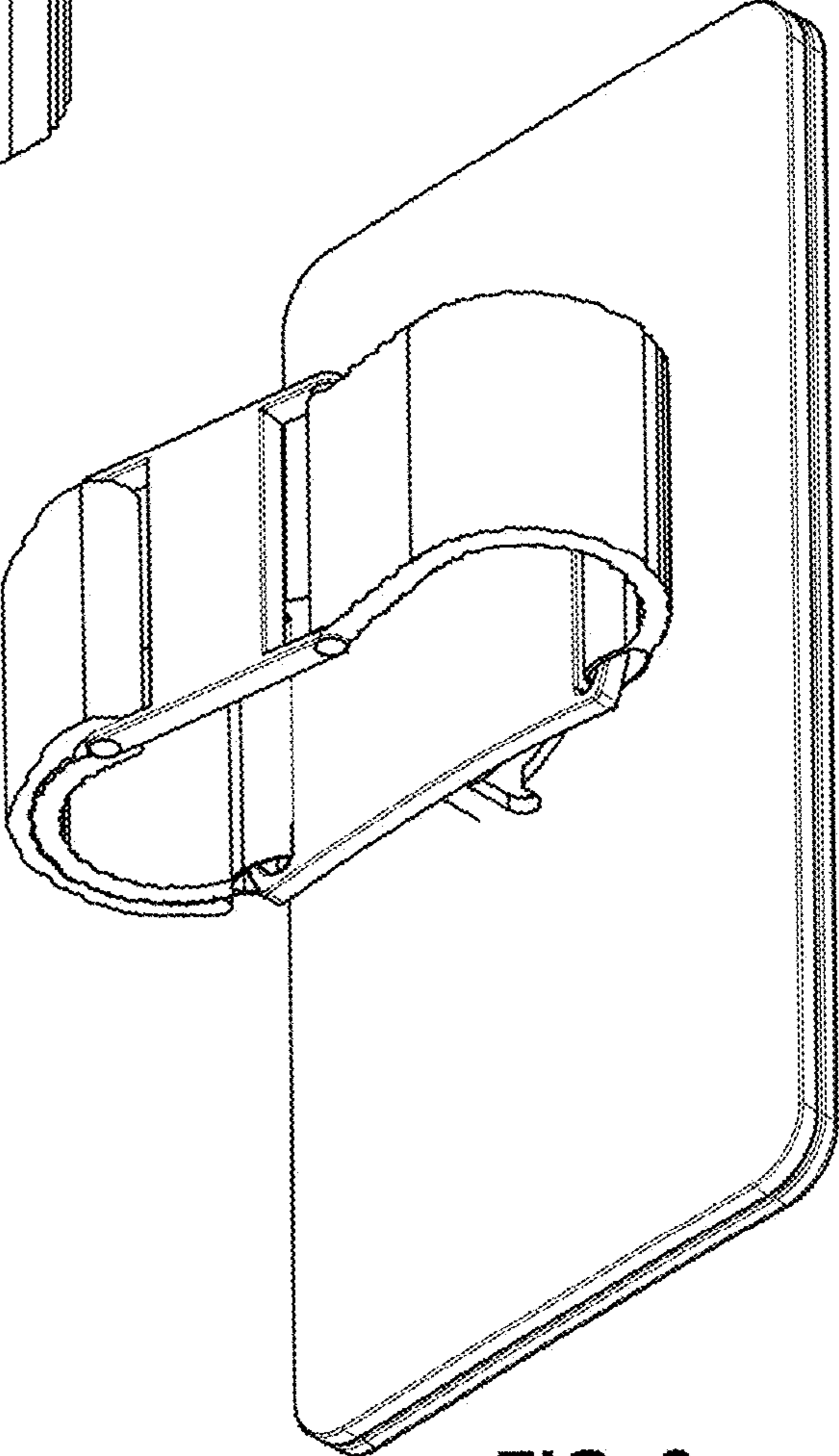


FIG. 7



**FIG. 8**



**FIG. 9**