



US00D789074S

(12) **United States Design Patent**
Haythornthwaite

(10) **Patent No.:** **US D789,074 S**
(45) **Date of Patent:** **** Jun. 13, 2017**

(54) **BUTTON FOR A HANDLE**

(71) Applicant: **Shedrain Corporation**, Portland, OR (US)

(72) Inventor: **David Haythornthwaite**, Fujian Province (CN)

(73) Assignee: **SHEDRAIN CORPORATION**, Portland, OR (US)

(**) Term: **15 Years**

(21) Appl. No.: **29/527,781**

(22) Filed: **May 21, 2015**

Related U.S. Application Data

(62) Division of application No. 29/468,383, filed on Sep. 30, 2013, now Pat. No. Des. 773,799.

(51) **LOC (10) Cl.** **03-03**

(52) **U.S. Cl.**
USPC **D3/12; D3/10**

(58) **Field of Classification Search**
USPC D3/5, 7-10, 12-18; D10/108; D12/179;
D14/218, 492; D13/103-122, 134, 138,
D13/168, 171, 174, 179, 180, 183;
D8/300, 303, 321, 353; D21/369, 385,
D21/512, 529, 589; D26/30, 31, 32;
(Continued)

(56) **References Cited**

U.S. PATENT DOCUMENTS

D58,185 S * 6/1921 Downey D26/30
D68,372 S * 10/1925 Edgerton D26/30
(Continued)

FOREIGN PATENT DOCUMENTS

JP D1264473 3/2006
KR 30-0498504 7/2008

OTHER PUBLICATIONS

Cross Walk Button: Announced Jun. 18, 2012 [online], site visited Sep. 1, 2016. Available from Internet URL: <http://www.roboppy.net/food/2012/06/berlin-day-2-sandemans-free-berlin-tour-fraulein-frost-hasir-ocakbasi.html>.
Talking Ped Signal Button_ Announced Mar. 13, 2013 [online], site visited Sep. 1, 2016. Available from Internet URL: <https://www.youtube.com/watch?v=SrrwhYlsXLM>.*

(Continued)

Primary Examiner — Thomas Johannes

Assistant Examiner — Catherine Posthauer

(74) *Attorney, Agent, or Firm* — Leason Ellis LLP

(57) **CLAIM**

The ornamental design for a button for a handle, as shown and described.

DESCRIPTION

FIG. 1 is a front and top perspective view of a first embodiment of a button for a handle showing my new design;

FIG. 2 is a front and bottom perspective view thereof;

FIG. 3 is a left side elevation view thereof;

FIG. 4 is front elevation view thereof;

FIG. 5 is a right side elevation view thereof;

FIG. 6 is a front and top perspective view of a second embodiment of a button for a handle showing my new design;

FIG. 7 is a front and bottom perspective view thereof;

FIG. 8 is a left side elevation view thereof;

FIG. 9 is front elevation view thereof; and,

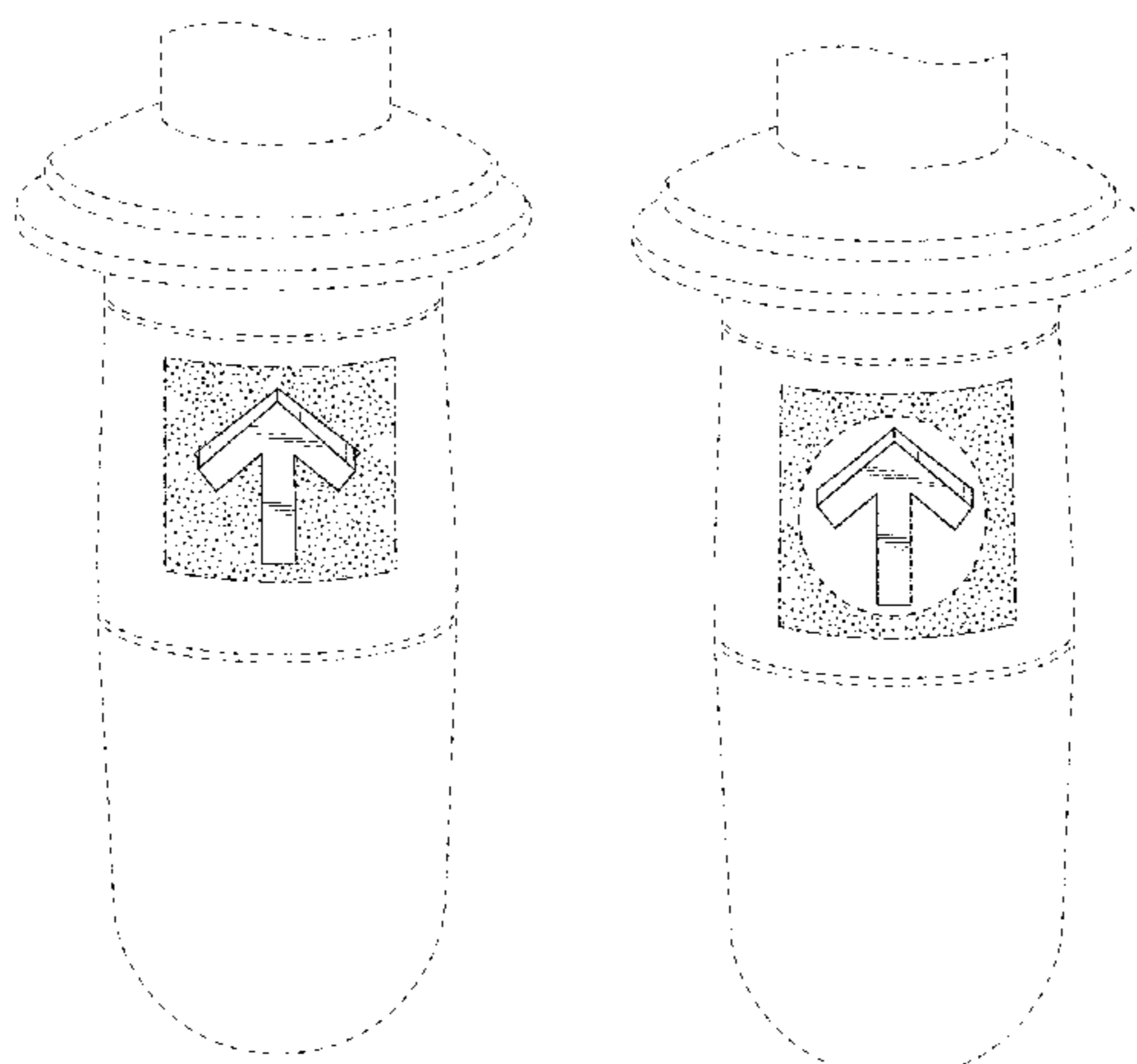
FIG. 10 is a right side elevation view thereof.

The evenly broken lines are shown for the purpose of illustrating parts of the article that form no part of the claimed design.

The dot-dot-dash broken lines define the boundaries of the claim and form no part thereof.

The stipple shading, shown in FIGS. 1-10, is being used to show a contrast in the appearance between the button and the surrounding handle portions.

1 Claim, 4 Drawing Sheets



(58) **Field of Classification Search**

USPC D11/171, 183, 222, 223; 348/14.05, 114, 348/211.99, 734; 341/22, 176; 455/92, 455/95, 128, 151.1–151.4, 352, 355; 40/451; 135/4.4, 15.1, 17, 24, 24.72, 40, 135/44, 25.42, 76, 6, 65; 345/169; 340/82.24, 12.22, 3.2
 CPC .. A45B 9/02; A45B 9/00; A45B 25/00; A45B 25/16; A45B 25/14; B25G 1/002; B66B 7/00; G08C 19/16; G08C 19/28; G08C 2201/21

See application file for complete search history.

(56) **References Cited**

U.S. PATENT DOCUMENTS

1,583,507	A *	5/1926	Van Bloem	B66B 3/00 362/309
D76,365	S *	9/1928	Van Bloem	D10/108
D254,484	S *	3/1980	Perjo	D10/108
D317,137	S *	5/1991	Kulikowski	D10/108
D349,360	S	8/1994	Gonsior	
D415,707	S *	10/1999	Gallagher	D10/108
D475,026	S *	5/2003	Buczek	D13/168
D477,459	S	7/2003	Kuo	
D480,056	S *	9/2003	Arcieri	D13/168
D518,949	S	4/2006	Wang	
D550,304	S	9/2007	Luciano, Jr.	
D607,307	S *	1/2010	Cutler	D8/353
D624,524	S	9/2010	Terzigni	
D629,792	S *	12/2010	Jones	D14/218
D663,642	S *	7/2012	Saikawa	D10/108
D672,727	S	12/2012	McCullar et al.	
D699,224	S	2/2014	Diamond	
D719,935	S	12/2014	Diamond	
D722,045	S	2/2015	Mok et al.	
D726,196	S	4/2015	van Os	
D729,273	S	5/2015	Mariet	
2001/0033243	A1 *	10/2001	Harris	G08C 17/02 341/176
2002/0008789	A1 *	1/2002	Harris	G08C 19/28 348/734
2004/0025914	A1 *	2/2004	Kuo	A45B 25/16 135/24

OTHER PUBLICATIONS

Elevator Push Button: Announced Dec. 17, 2015 [online], site visited Sep. 1, 2016. Available from Internet URL: <http://corelift.en.made-in-china.com/product/xKeJGWjTYukq/China-Elevator-Lift-Round-Push-Button-Elevator-Button-Switch-MDL-7-.html>.*

Elevator Push Button: Announced Sep. 2, 2013 [online], site visited Sep. 1, 2016. Available from Internet URL: <http://www.elevator-buttons.com/elevator-push-button-ak09.html>.*

White Left Arrow: Announced Aug. 31, 2013 [online], site visited Aug. 31, 2016. Available from Internet URL: http://www.flaticon.com/free-icon/white-arrow-to-the-left_15097.*

Arrow Icon: Announced Jan. 9, 2014 [online], site visited Aug. 31, 2016. Available from Internet URL: <http://www.rgbstock.com/bigphoto/mmZE5dK/Arrow>.*

Eco Parking Sign Double Arrow: Announced Oct. 31, 2011 [online] site visited Sep. 11, 2015. Available from Internet URL: <http://www.zinggreenproducts.com/eco-parking-sign-double-arrow-white-blue-12-x6.html>.

Universal DC 12V 20A Auto Car Power Window Switch: Announced [May 4, 2013] on line, site visited [Sep. 11, 2015]. Available from Internet URL: <http://www.ebay.com/itm/Universal-DC-12V-20A-Auto-Car-Power-Window-Switch-5-pin-ON-OFFSpst-Swing-BLACK-/221793182202>.

Vector Arrows: Announced Jan. 12, 2012 [online], site visited Sep. 17, 2015. Available from Internet URL: <http://design.tutsplus.com/articles/350-free-graphics-vector-arrow-symbols-and-shapes--vector-5210>.

Left-Right Arrow Icons: Site visited Sep. 17, 2015. Available from Internet URL: <http://icons.mysitemyway.com/legacyicon-tags/double-arrows/page/21/>.

Left-Right Arrow Icon: Announced Mar. 27, 2007 [online], site visited [Sep. 17, 2015]. Available from Internet URL: <https://openclipart.org/detail/3677/arrow-leftright>.

Double Ended Arrow: Announced May 22, 2012 [online], site visited [Sep. 17, 2015]. Available from Internet URL: <http://txcowboydancer.com/clip-art-from-microsoft/double-ended-arrow-blue/>.

2 Sided Arrow Illustration Icons: Announced [as early as Jan. 14, 2012], online. Available from Internet URL: http://www.shutterstock.com/pic-273417827/stock-vector--side-arrow-illustration-icon.html?src=pp-same_artist-268732544-dzMABYHtio93fkFWayugDg-1, Aug. 25, 2016.

Corel Draw 7 (Symbols). Oct. 21, 2008. p. 71.

* cited by examiner

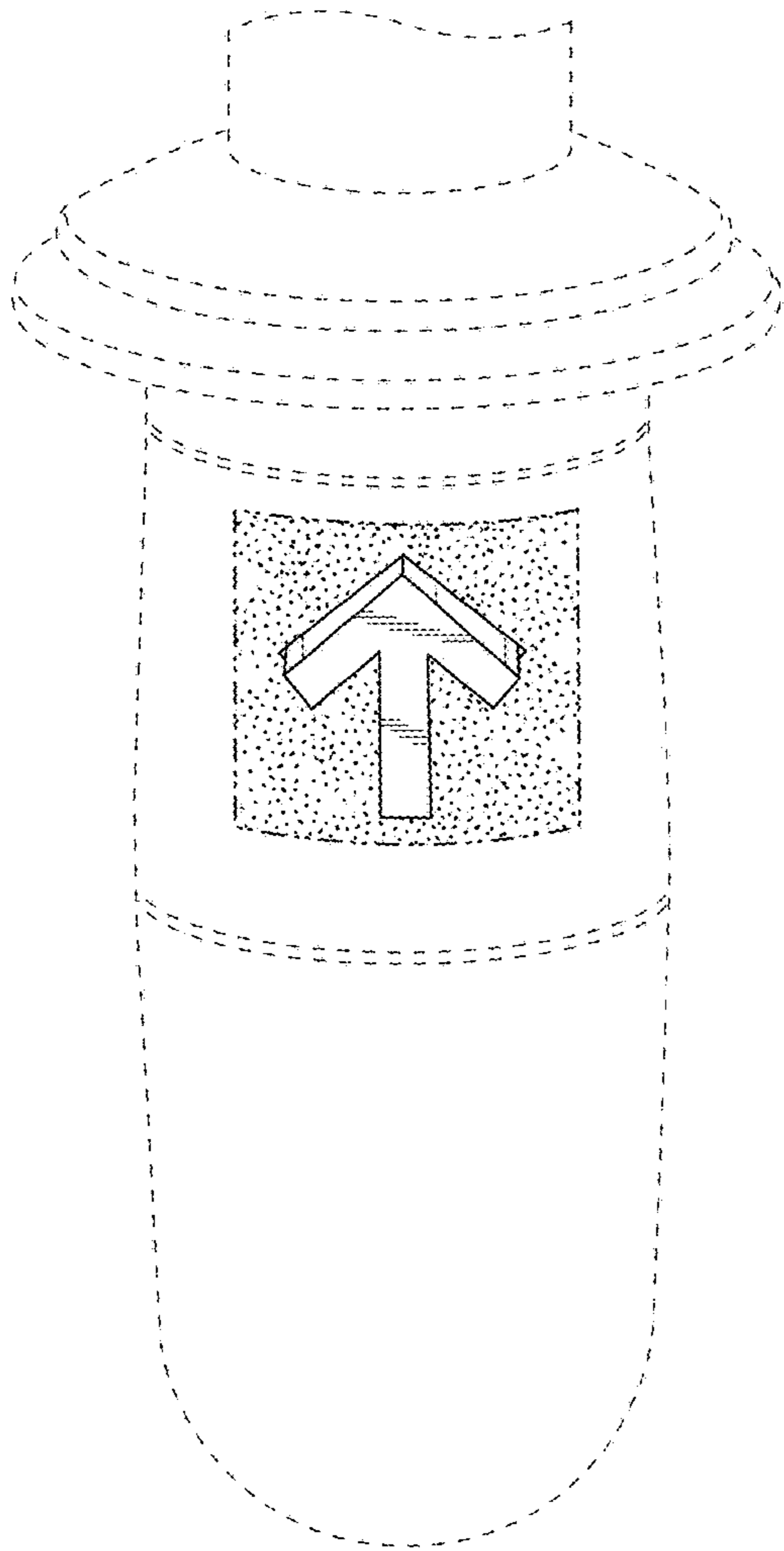


FIG. 1

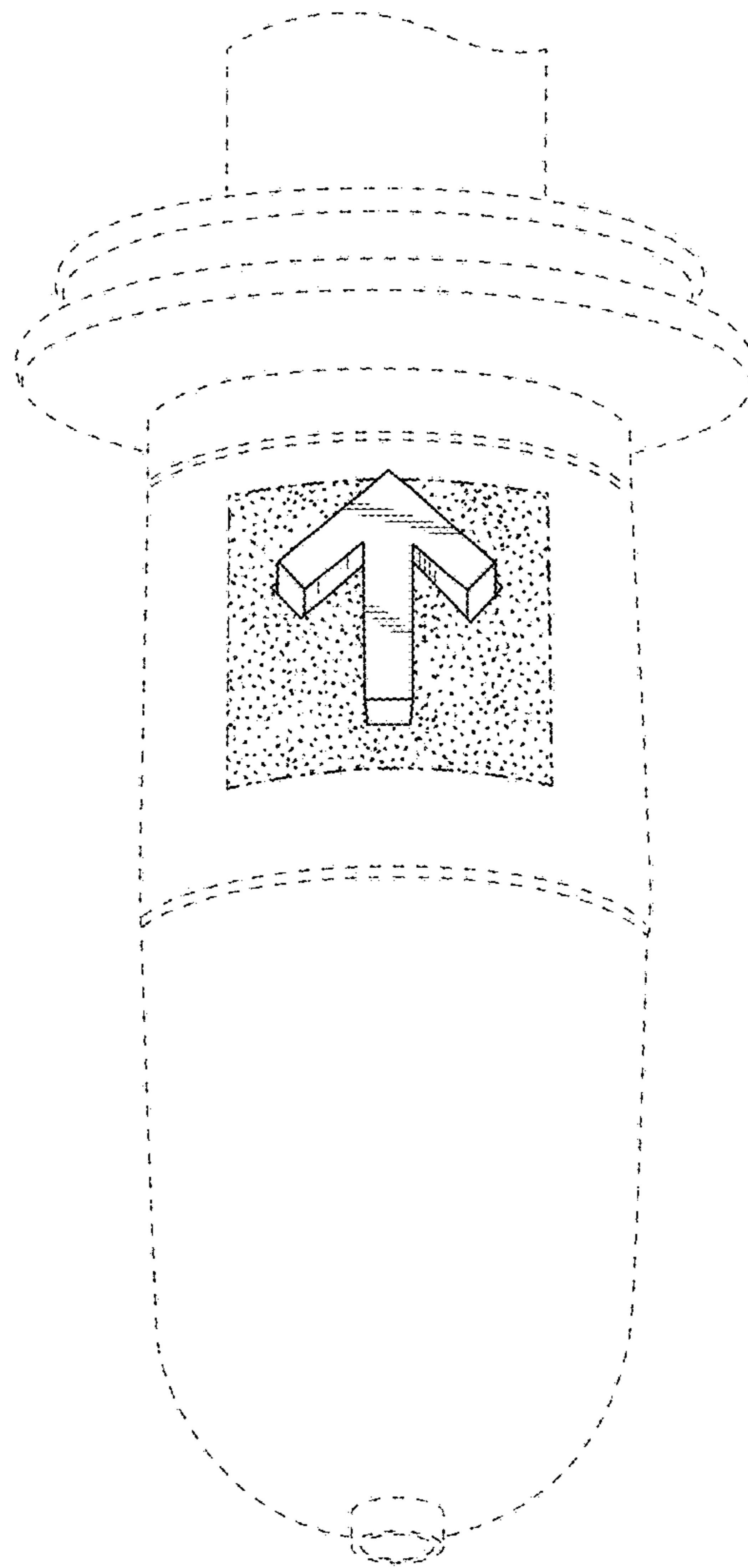


FIG. 2

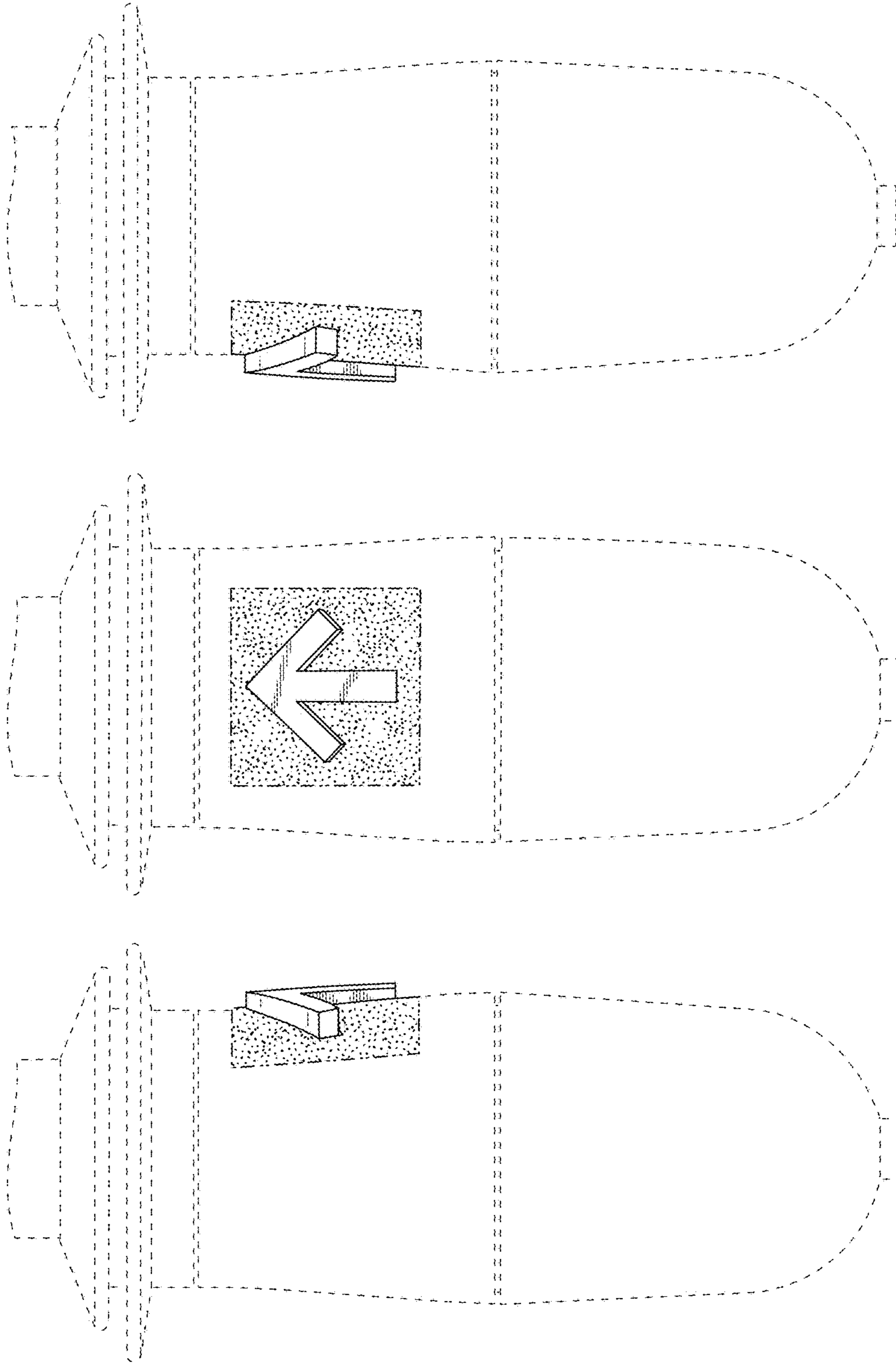


FIG. 5

FIG. 4

FIG. 3

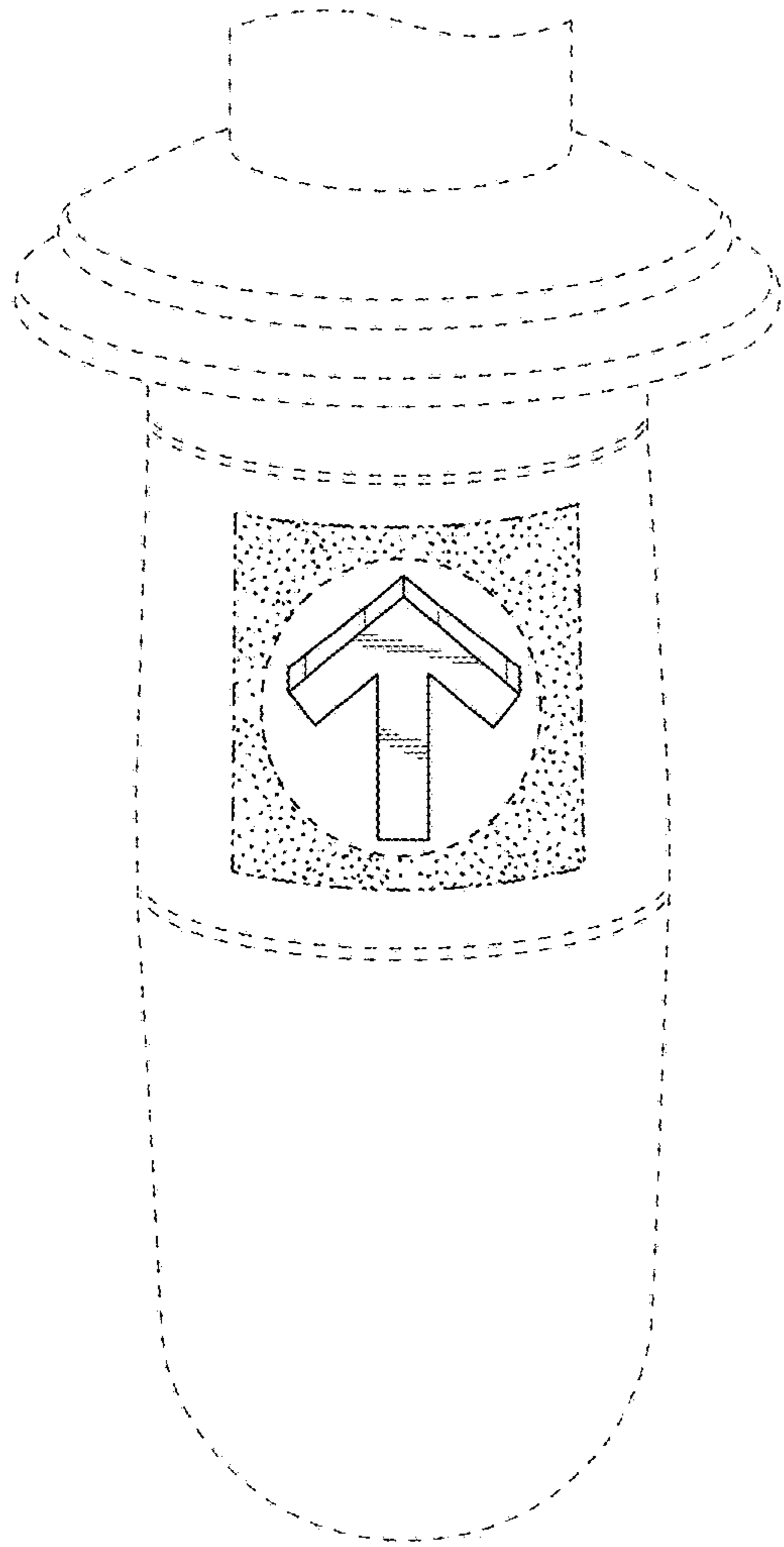


FIG. 6

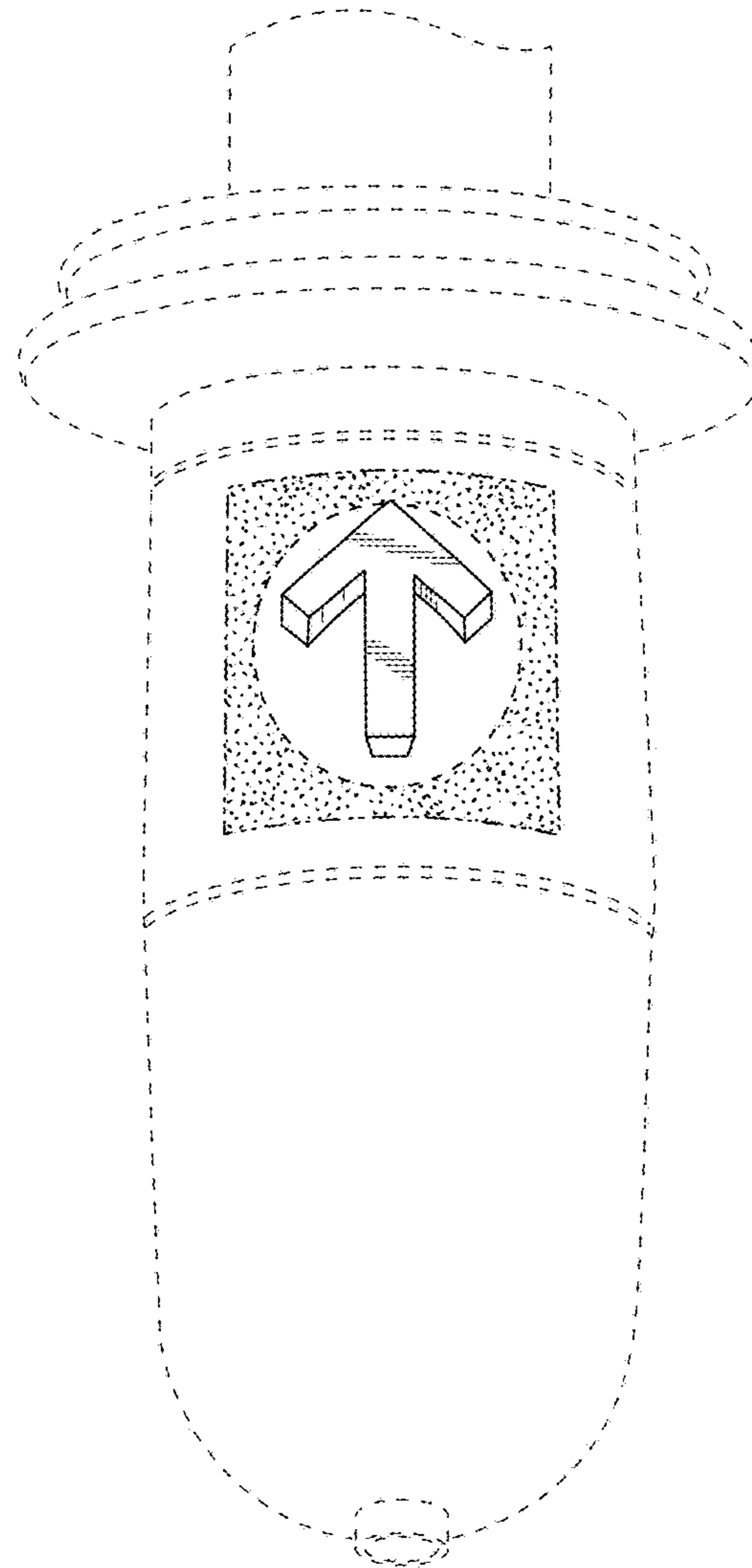


FIG. 7

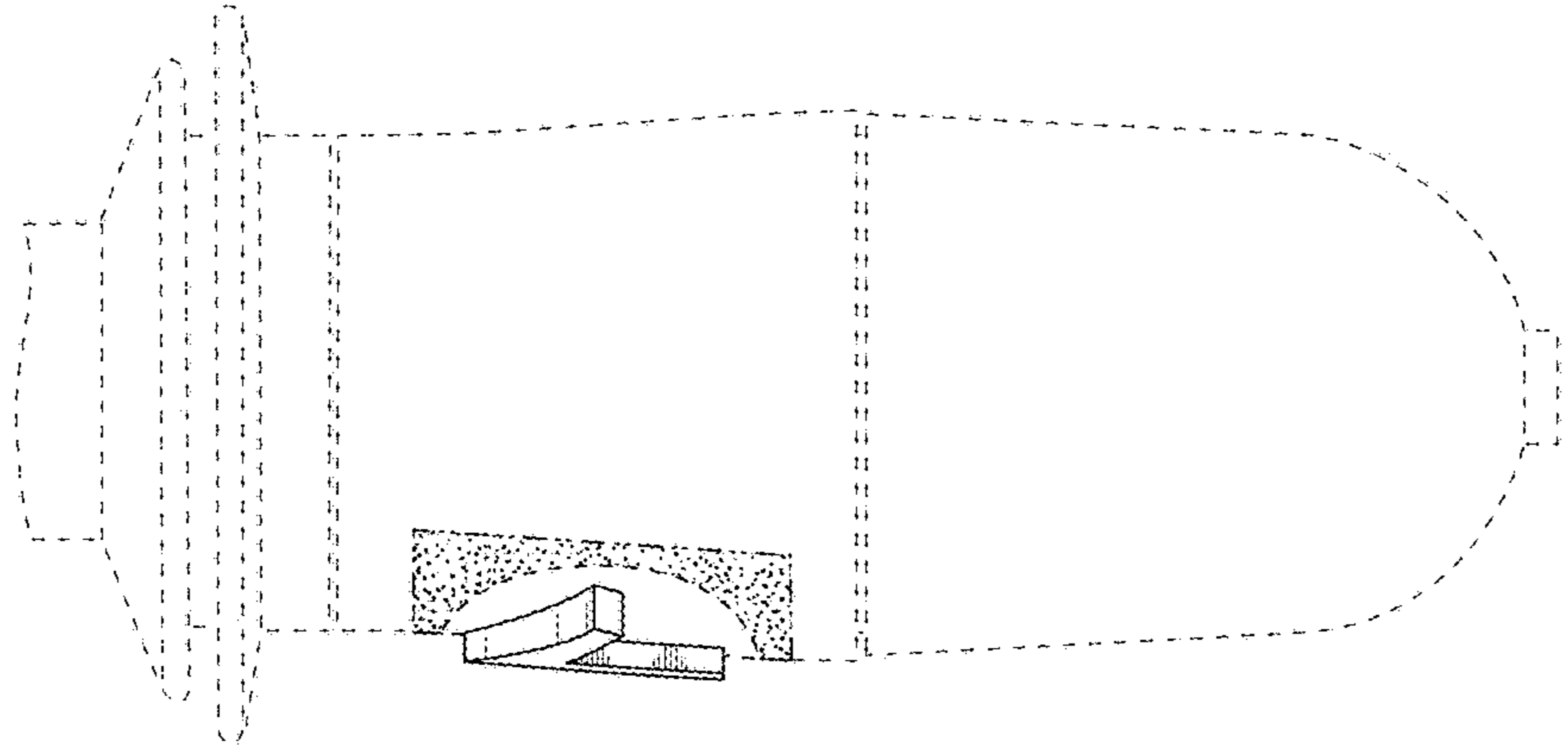


FIG. 8

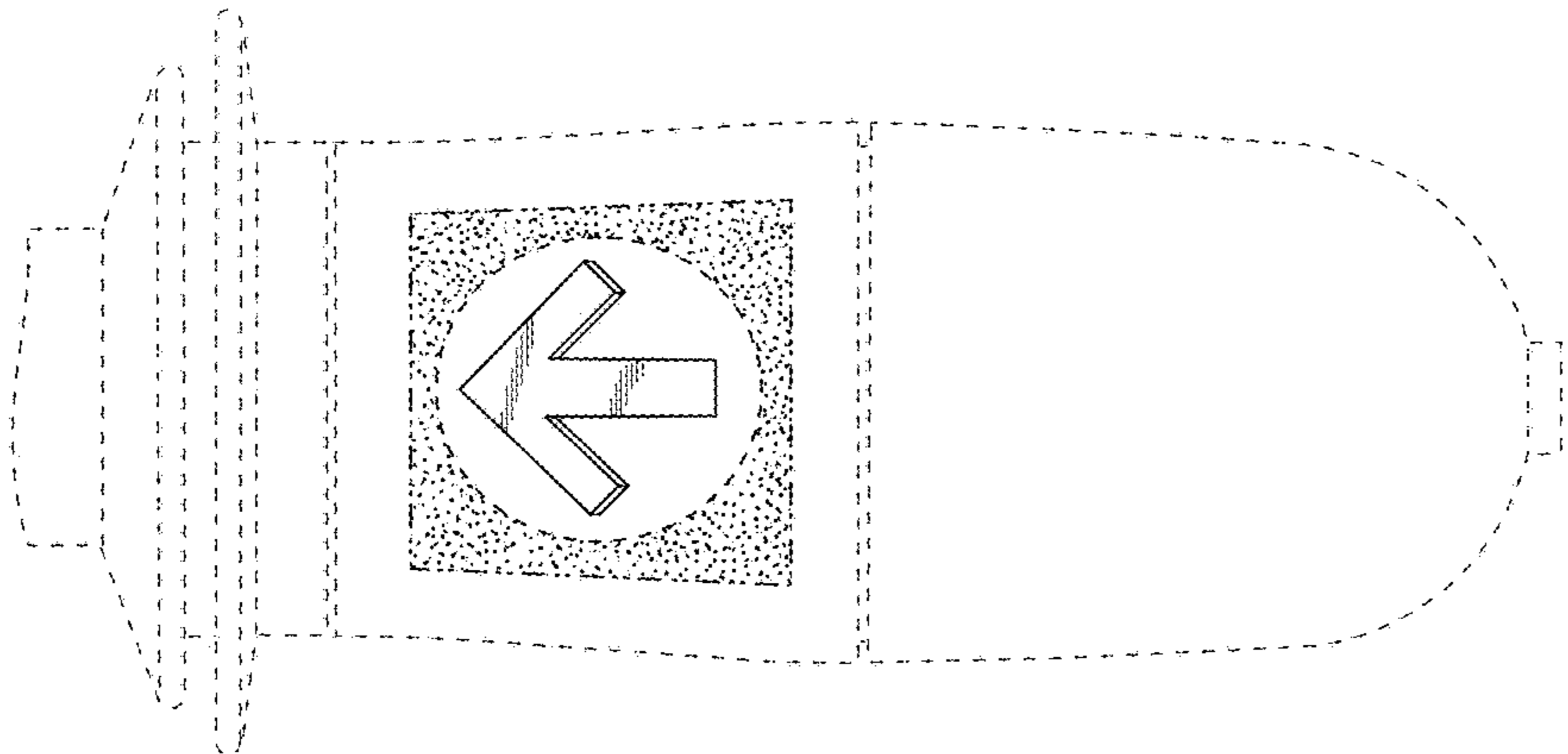


FIG. 9

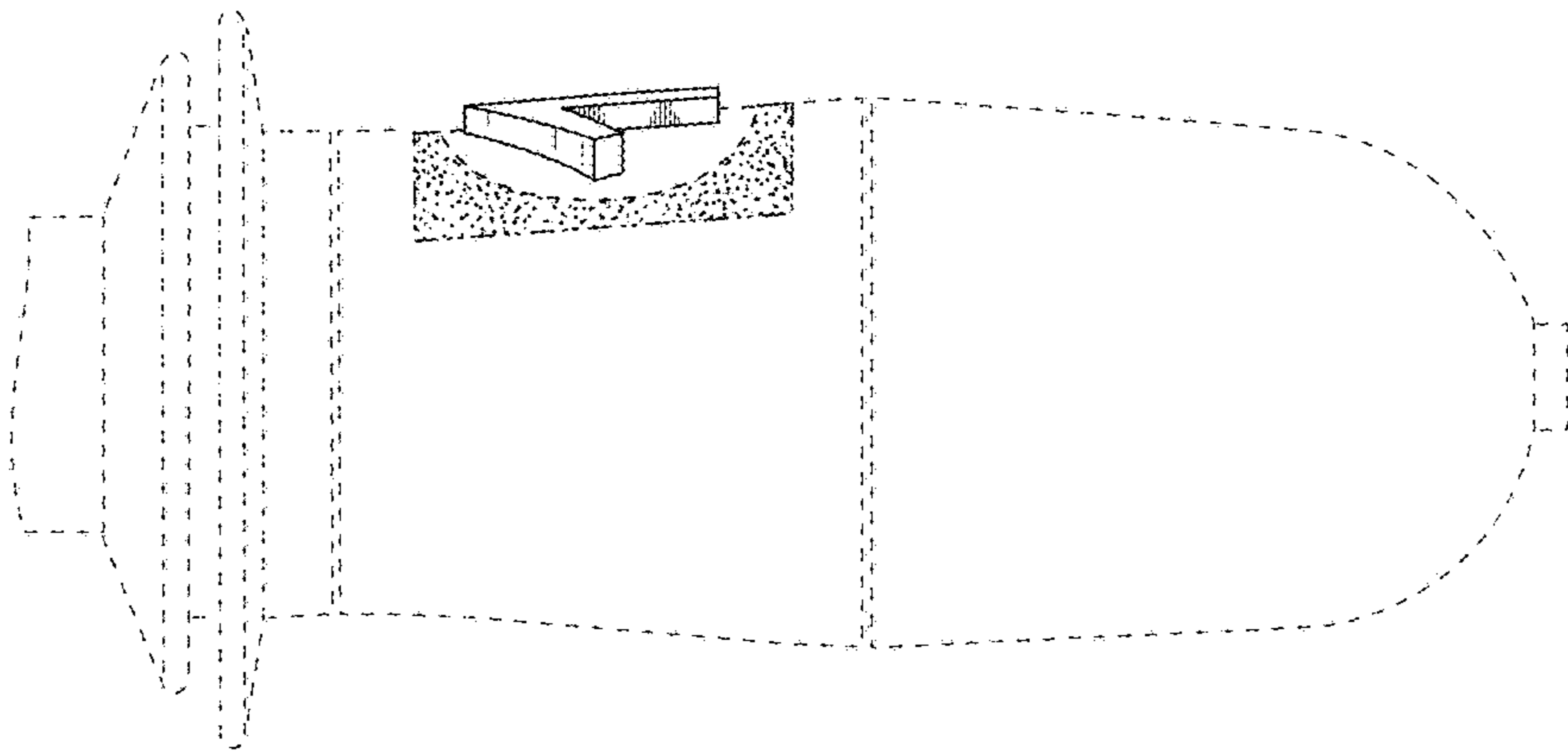


FIG. 10