



US00D789073S

(12) **United States Design Patent** (10) **Patent No.:** **US D789,073 S**  
**Wu** (45) **Date of Patent:** **\*\* Jun. 13, 2017**

(54) **WALKING STICK**  
(71) Applicant: **Glap International Co., Ltd.**, Taichung (TW)  
(72) Inventor: **King-Chang Wu**, Taichung (TW)  
(73) Assignee: **Glap International Co., Ltd.**, Taichung (TW)  
(\*\*) Term: **15 Years**  
(21) Appl. No.: **29/532,714**  
(22) Filed: **Jul. 9, 2015**  
(51) **LOC (10) Cl.** ..... **03-03**  
(52) **U.S. Cl.**  
USPC ..... **D3/9**  
(58) **Field of Classification Search**  
USPC ..... D3/5, 7, 9, 10, 12; D12/130, 133  
CPC ..... A45B 1/00; A45B 1/04; A45B 2200/00;  
A45B 2200/05; A45B 2200/005; A45B  
9/02; A45B 7/00; F16M 13/08  
See application file for complete search history.

(56) **References Cited**  
U.S. PATENT DOCUMENTS  
4,625,742 A \* 12/1986 Phillips ..... A45B 3/04  
135/66  
4,947,882 A \* 8/1990 Levasseur ..... A61H 3/0288  
135/77  
5,056,545 A \* 10/1991 Spaeth ..... A45B 1/00  
135/66  
D325,670 S \* 4/1992 Champigny ..... D3/7  
5,755,245 A \* 5/1998 Van Helvoort ..... A45B 3/00  
135/65  
5,769,104 A \* 6/1998 Uemura ..... F16B 7/1427  
135/69  
D427,763 S \* 7/2000 Kikuchi ..... D3/7  
D441,950 S \* 5/2001 Suen ..... D3/7  
D448,152 S \* 9/2001 Folise ..... D3/7

6,595,226 B2 \* 7/2003 Uemura ..... A45B 9/00  
135/69  
D531,399 S \* 11/2006 Olerud ..... D3/7  
D540,534 S \* 4/2007 Chan ..... D3/7  
D625,510 S \* 10/2010 Muller ..... D3/12  
D627,149 S \* 11/2010 Wu ..... D3/12  
D627,150 S \* 11/2010 Chao ..... D3/17  
7,836,904 B1 \* 11/2010 Cushman ..... A45B 3/10  
135/65  
D670,077 S \* 11/2012 Jiang ..... D3/17  
D693,565 S \* 11/2013 Chan ..... D3/7  
D698,140 S \* 1/2014 Parker ..... D3/13  
8,967,170 B1 \* 3/2015 Lai ..... A45B 9/00  
135/75  
D754,962 S \* 5/2016 Pennington ..... D3/13  
D761,574 S \* 7/2016 Gullo ..... D6/335  
2002/0189657 A1 \* 12/2002 Yuan ..... A45B 3/04  
135/65  
2006/0090783 A1 \* 5/2006 King-Fai ..... A45B 1/00  
135/67

(Continued)

*Primary Examiner* — John Windmuller  
*Assistant Examiner* — Steven Czyz  
(74) *Attorney, Agent, or Firm* — C. G. Mersereau;  
Nikolai & Mersereau, P.A.

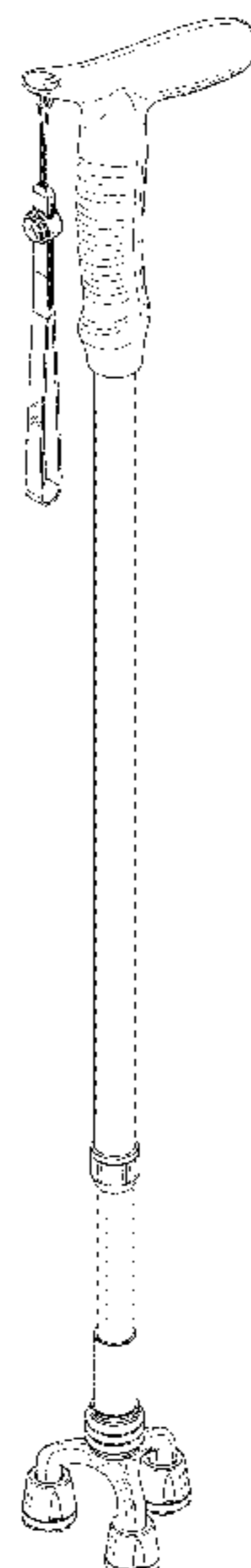
(57) **CLAIM**

The ornamental design for a walking stick, as shown and described.

**DESCRIPTION**

FIG. 1 is a perspective view of a walking stick  
FIG. 2 is a front elevation view thereof;  
FIG. 3 is a left elevation view thereof;  
FIG. 4 is a right side elevation view thereof;  
FIG. 5 is a rear side elevation view thereof;  
FIG. 6 is a top plan view thereof;  
FIG. 7 is a bottom plan view thereof; and,  
FIG. 8 is a perspective view of the walking stick, shown in an alternate state.

**1 Claim, 7 Drawing Sheets**



(56)

**References Cited**

U.S. PATENT DOCUMENTS

2006/0254633 A1\* 11/2006 Willis ..... A45B 9/00  
135/74  
2006/0266397 A1\* 11/2006 Berl ..... A61H 3/02  
135/70  
2007/0151587 A1\* 7/2007 Yu ..... A01M 29/16  
135/66  
2008/0149155 A1\* 6/2008 Martin ..... A45B 3/00  
135/66  
2009/0199884 A1\* 8/2009 Lessing ..... A45B 3/00  
135/66  
2010/0043853 A1\* 2/2010 Wu ..... A45B 3/04  
135/66  
2010/0313925 A1\* 12/2010 Jiang ..... A45B 9/04  
135/82  
2010/0319740 A1\* 12/2010 Willey ..... A45B 1/04  
135/66  
2011/0094552 A1\* 4/2011 Wu ..... A61H 3/02  
135/84  
2012/0145206 A1\* 6/2012 Parry ..... A45B 9/02  
135/66  
2013/0141899 A1\* 6/2013 Lee ..... A45B 3/04  
362/102  
2015/0062874 A1\* 3/2015 Chien ..... A45B 9/02  
362/102  
2015/0075576 A1\* 3/2015 Gullo ..... A47C 9/105  
135/66  
2015/0196102 A1\* 7/2015 Moreau ..... A45B 9/00  
135/66  
2016/0053789 A1\* 2/2016 Wang ..... F16B 7/105  
135/75  
2016/0213107 A1\* 7/2016 Byrd ..... A45B 7/005  
2016/0255925 A1\* 9/2016 Bucci ..... A45B 3/00

\* cited by examiner

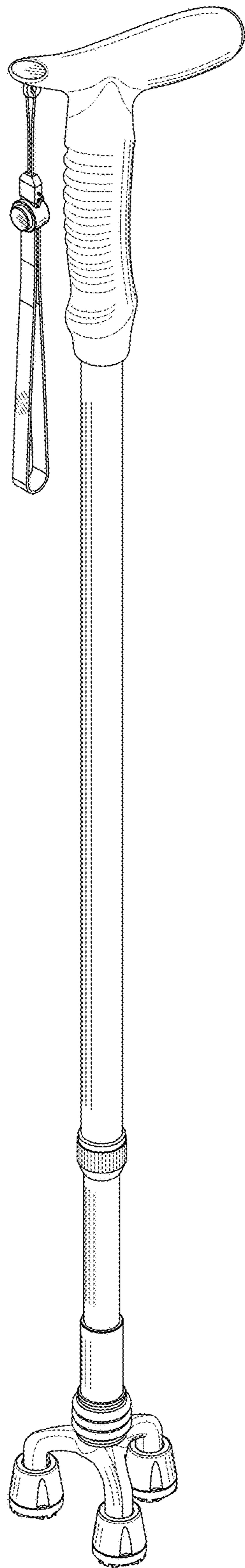


FIG.1

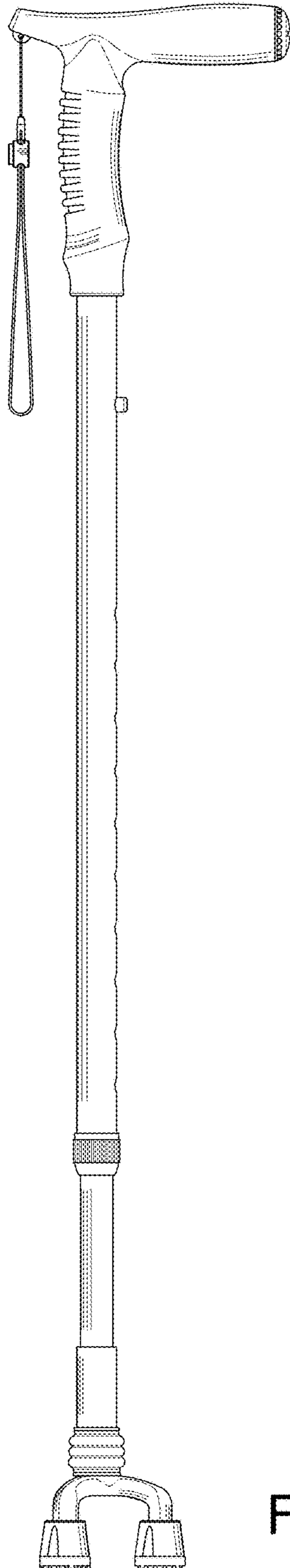


FIG.2

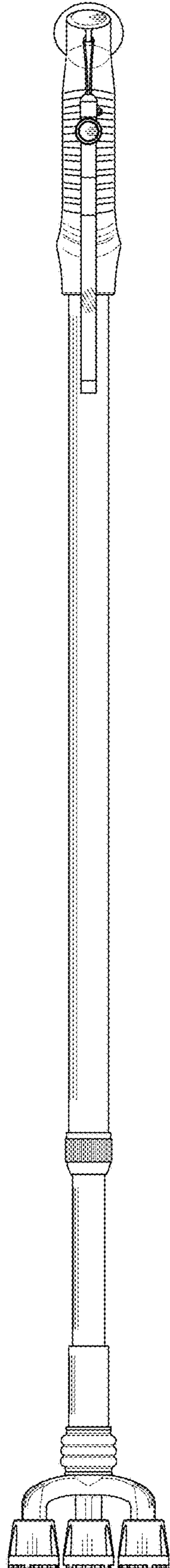


FIG.3

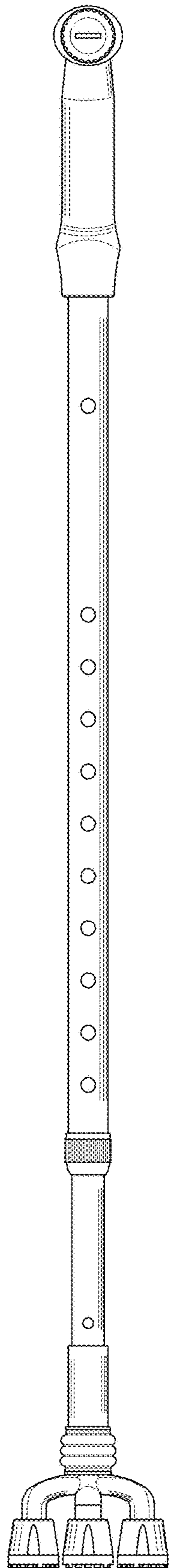


FIG.4

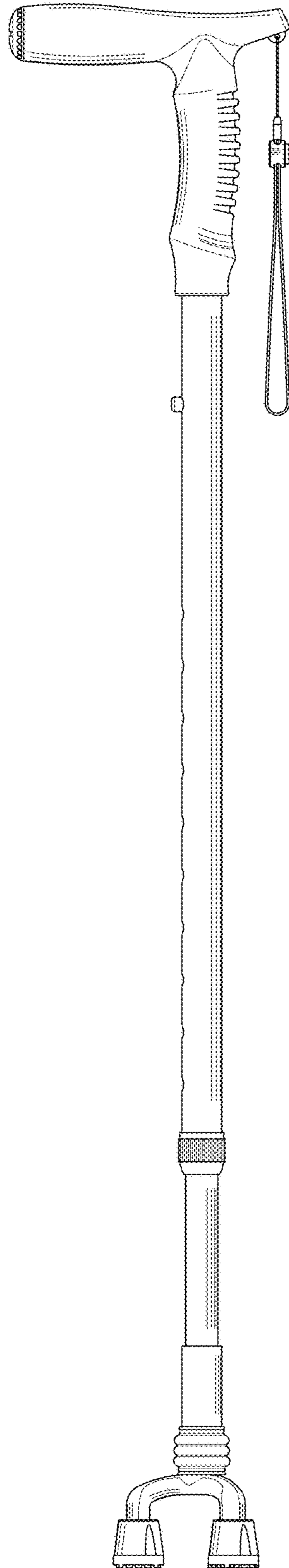


FIG.5

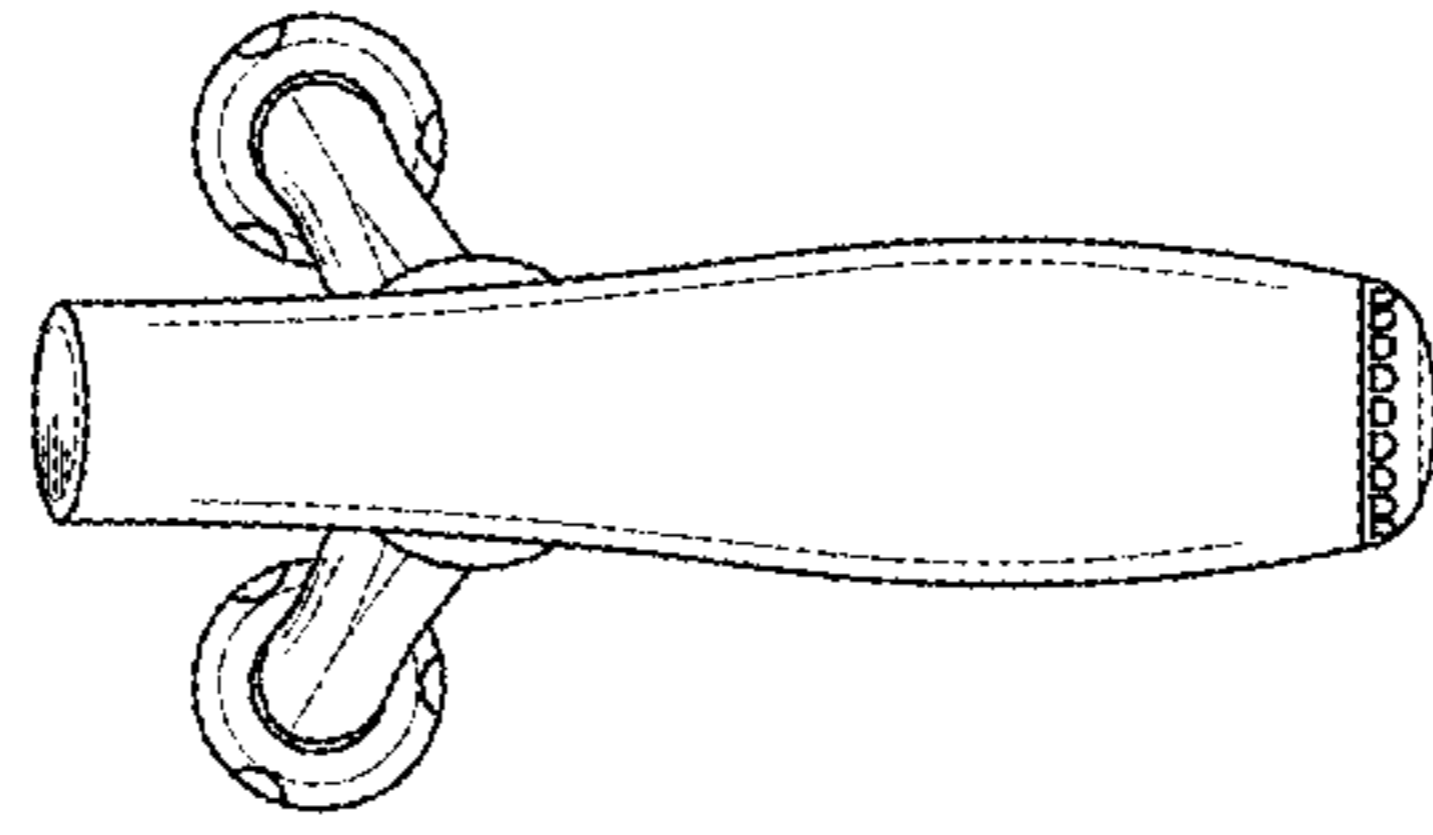


FIG. 6

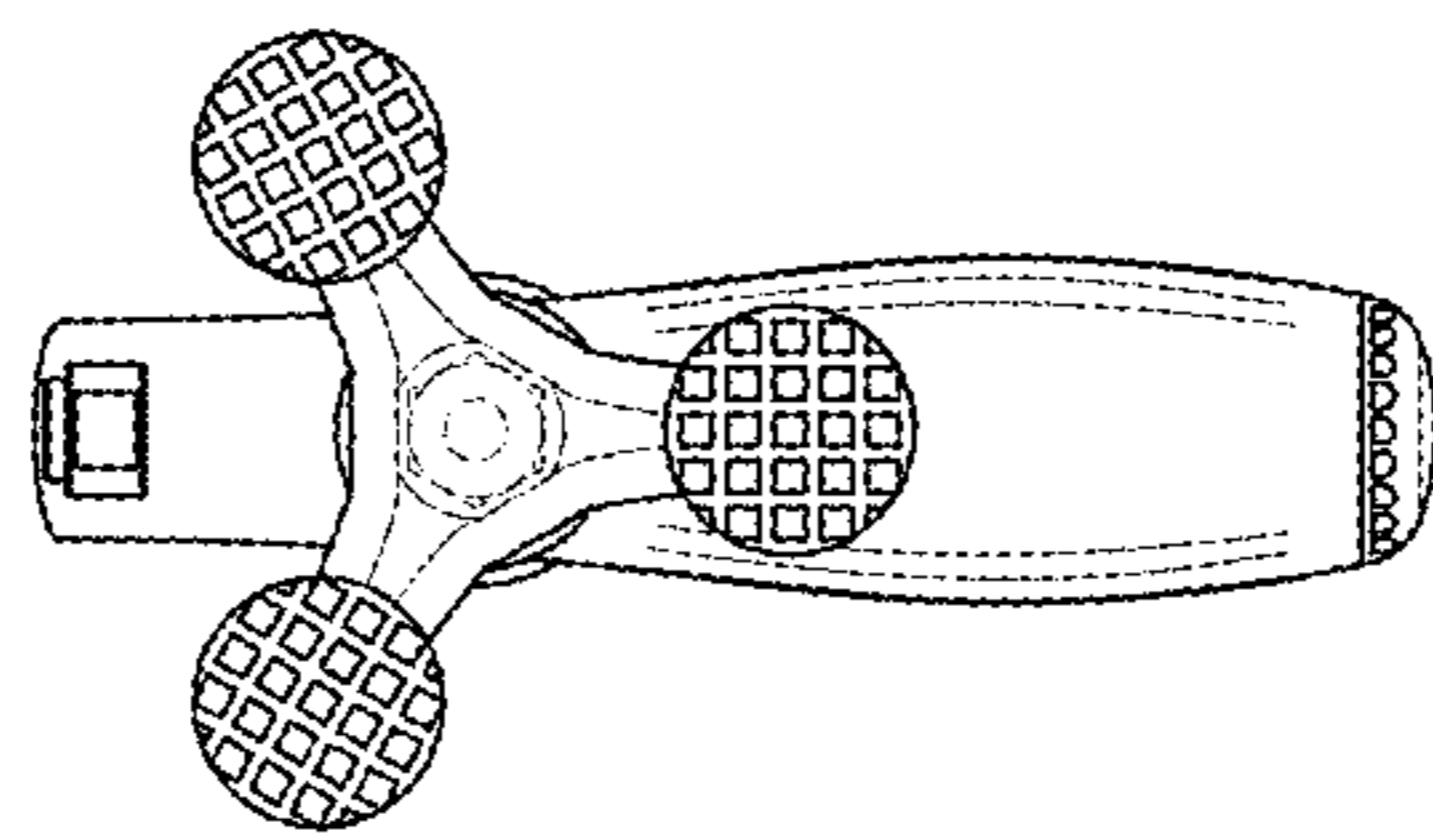


FIG. 7



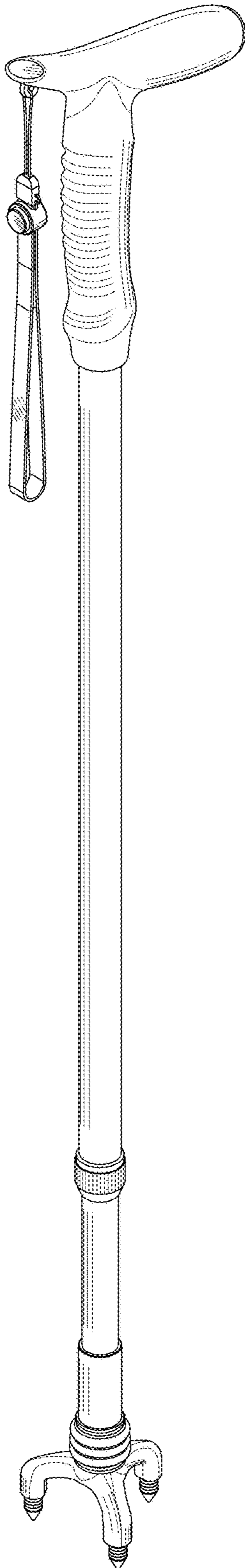


FIG.8