



US00D789057S

(12) **United States Design Patent**  
**da Costa Pereira Machado**

(10) **Patent No.:** **US D789,057 S**  
(45) **Date of Patent:** **\*\* Jun. 13, 2017**

- (54) **SHOE OUTSOLE**
- (71) Applicant: **NIKE, Inc.**, Beaverton, OR (US)
- (72) Inventor: **Fabricio da Costa Pereira Machado**,  
Portland, OR (US)
- (73) Assignee: **NIKE, Inc.**, Beaverton, OR (US)
- (\*\*) Term: **15 Years**
- (21) Appl. No.: **29/540,197**
- (22) Filed: **Sep. 22, 2015**
- (51) **LOC (10) Cl.** ..... **02-04**
- (52) **U.S. Cl.**  
USPC ..... **D2/958**; D2/951; D2/960
- (58) **Field of Classification Search**  
USPC ..... D2/902, 906, 908, 916, 918, 925,  
D2/946-962, 977; 36/3 B, 22 R, 24.5,  
36/25 R, 28, 32 R, 34 R, 59 C, 67 A, 103  
CPC ..... A43B 13/00; A43B 13/02; A43B 13/023;  
A43B 13/026; A43B 13/04; A43B 13/08;  
A43B 13/10; A43B 13/12; A43B 13/14;  
A43B 13/141; A43B 13/143; A43B  
13/16; A43B 13/18; A43B 13/181; A43B  
13/187; A43B 13/189; A43B 13/20; A43B  
13/22; A43B 13/223; A43B 13/24; A43B  
13/28; A43B 13/30; A43B 13/32; A43B  
13/34; A43B 13/36  
See application file for complete search history.

- (56) **References Cited**  
U.S. PATENT DOCUMENTS

D248,065 S	6/1978	Batra
D255,176 S	6/1980	Fuzita
D263,645 S	4/1982	Mastrantuone
D308,285 S	6/1990	Serna
D310,295 S	9/1990	Boucher et al.
D461,039 S	8/2002	Polifroni
D512,821 S	12/2005	Lee

D625,500 S	*	10/2010	Dekovic	D2/951
D686,405 S		7/2013	Little	
D708,831 S		7/2014	Petrie	
D710,582 S		8/2014	Chang	
D713,629 S		9/2014	Petrie	
D721,226 S		1/2015	Petrie et al.	
D727,610 S	*	4/2015	Francis	D2/951
D734,602 S	*	7/2015	Blankinship	D2/951
D738,601 S	*	9/2015	Hubner	D2/951
D744,217 S	*	12/2015	Hardman	D2/951
D755,490 S	*	5/2016	Nakano	D2/951
D765,372 S	*	9/2016	Petrie	D2/951
D770,155 S	*	11/2016	Petrie	D2/951
D778,560 S	*	2/2017	O'Connor	D2/951

(Continued)

*Primary Examiner* — T. Chase Nelson  
(74) *Attorney, Agent, or Firm* — Banner & Witcoff, Ltd.

(57) **CLAIM**

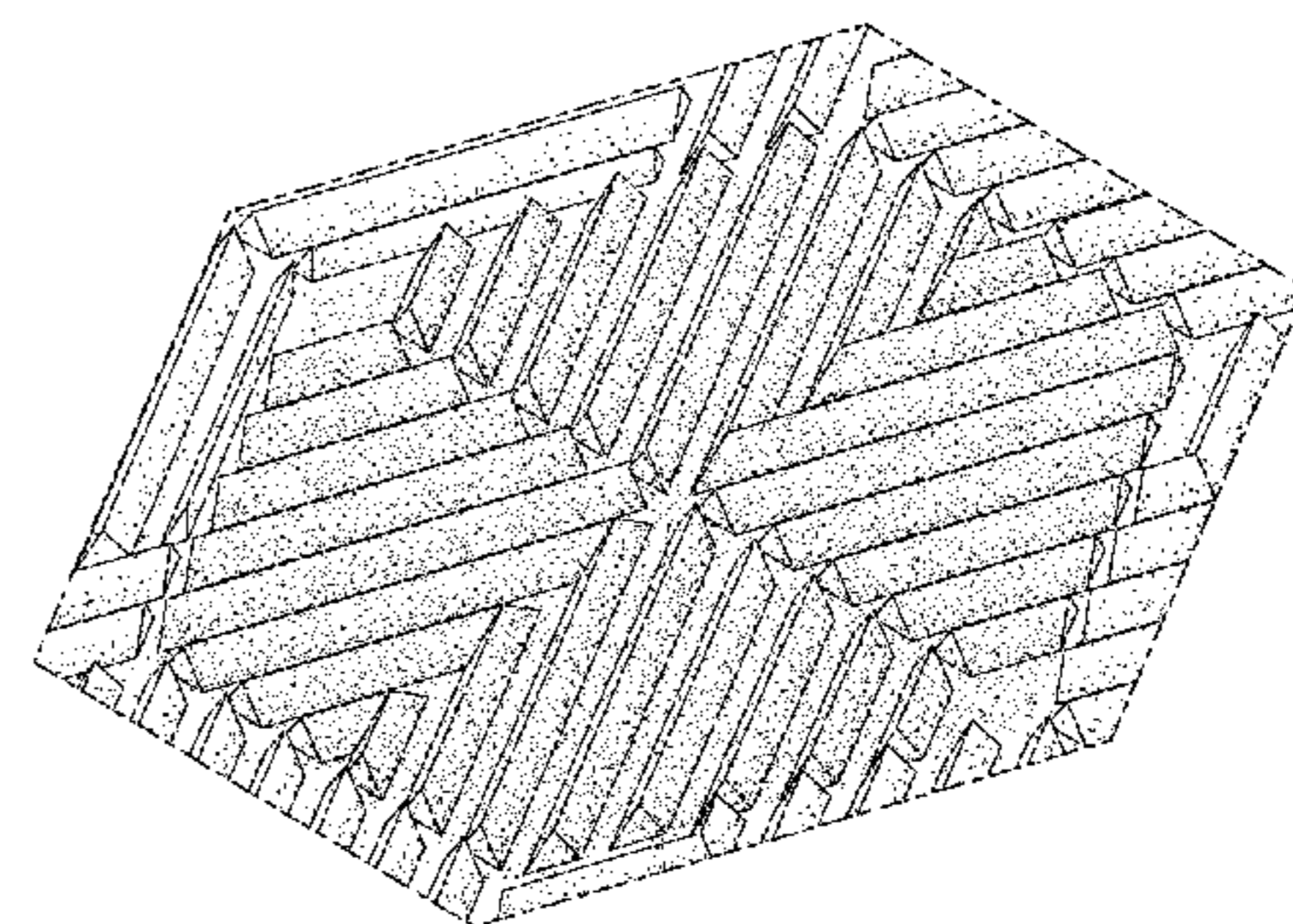
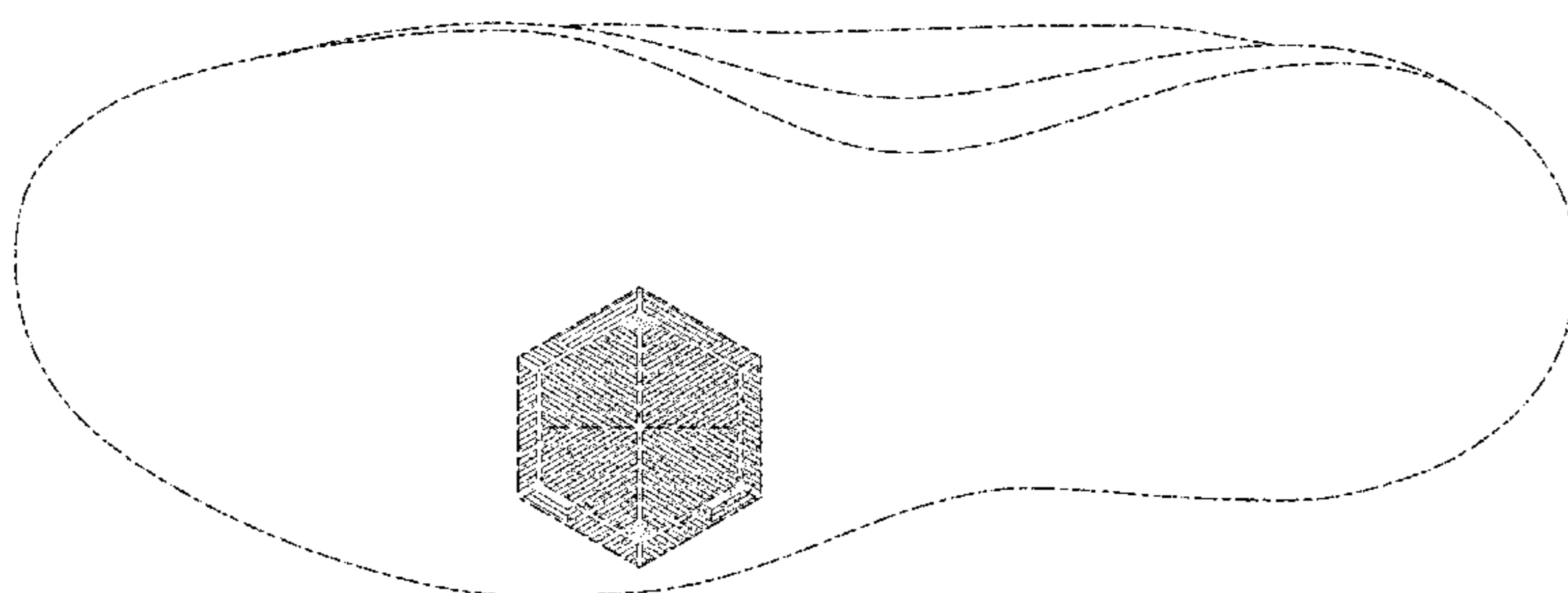
The ornamental design for a shoe outsole, as shown and described.

**DESCRIPTION**

FIG. 1 is a front perspective view of a shoe outsole showing my new design;  
 FIG. 2 is a bottom view thereof;  
 FIG. 3 is a rear perspective view thereof;  
 FIG. 4 is an enlarged view of the claimed region in FIG. 1, shown in isolation;  
 FIG. 5 is an enlarged view of the claimed region in FIG. 2, shown in isolation; and,  
 FIG. 6 is an enlarged view of the claimed region in FIG. 3, shown in isolation.

The broken lines immediately adjacent to the shaded area represent unclaimed boundaries of the design. The broken lines showing the remainder of the shoe are for environmental purposes only and form no part of the claimed design. The contrast in shading represents a contrast in appearance only and does not represent any particular color, material, texture or finish.

**1 Claim, 6 Drawing Sheets**



(56)

**References Cited**

U.S. PATENT DOCUMENTS

D778,561 S \* 2/2017 Petrie ..... D2/947  
D780,419 S \* 3/2017 Petrie ..... D2/951  
2014/0130370 A1\* 5/2014 Knudson ..... A43B 5/001  
36/28

\* cited by examiner

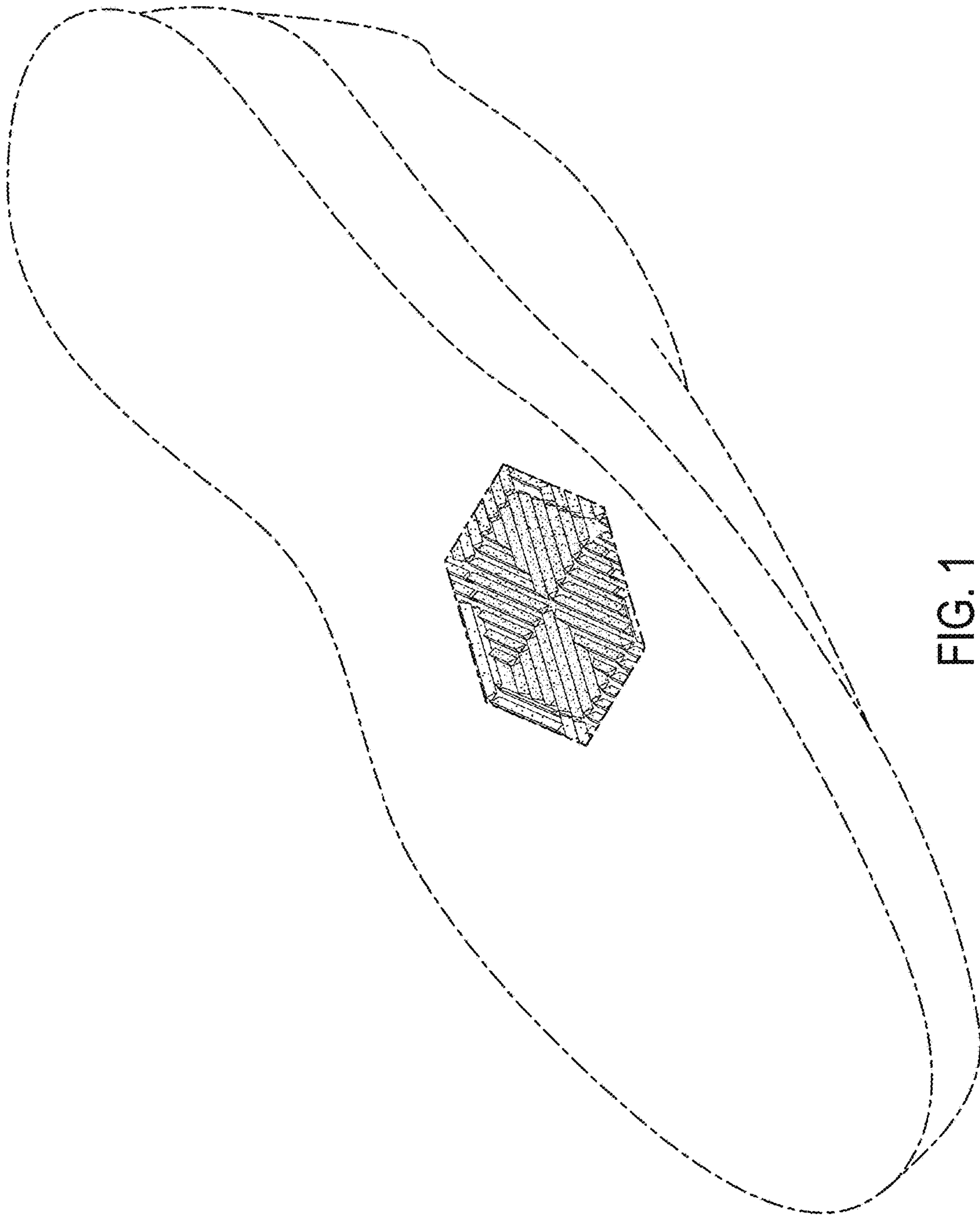


FIG. 1

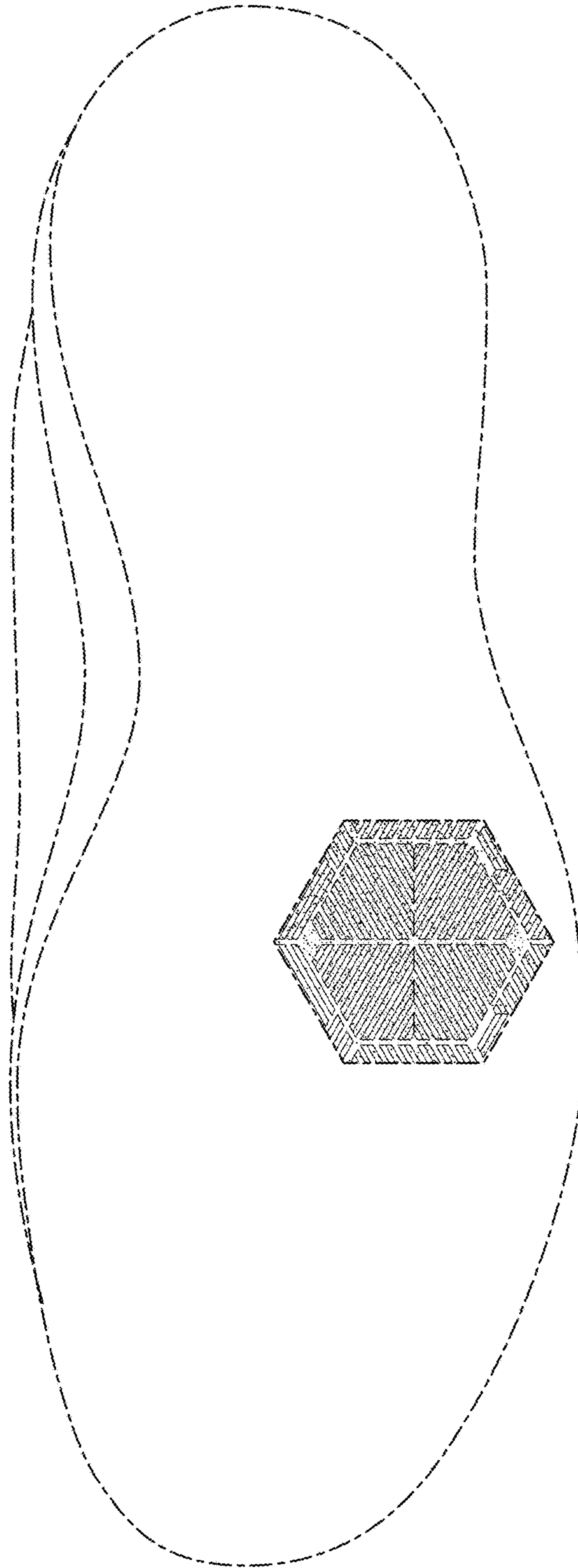


FIG. 2



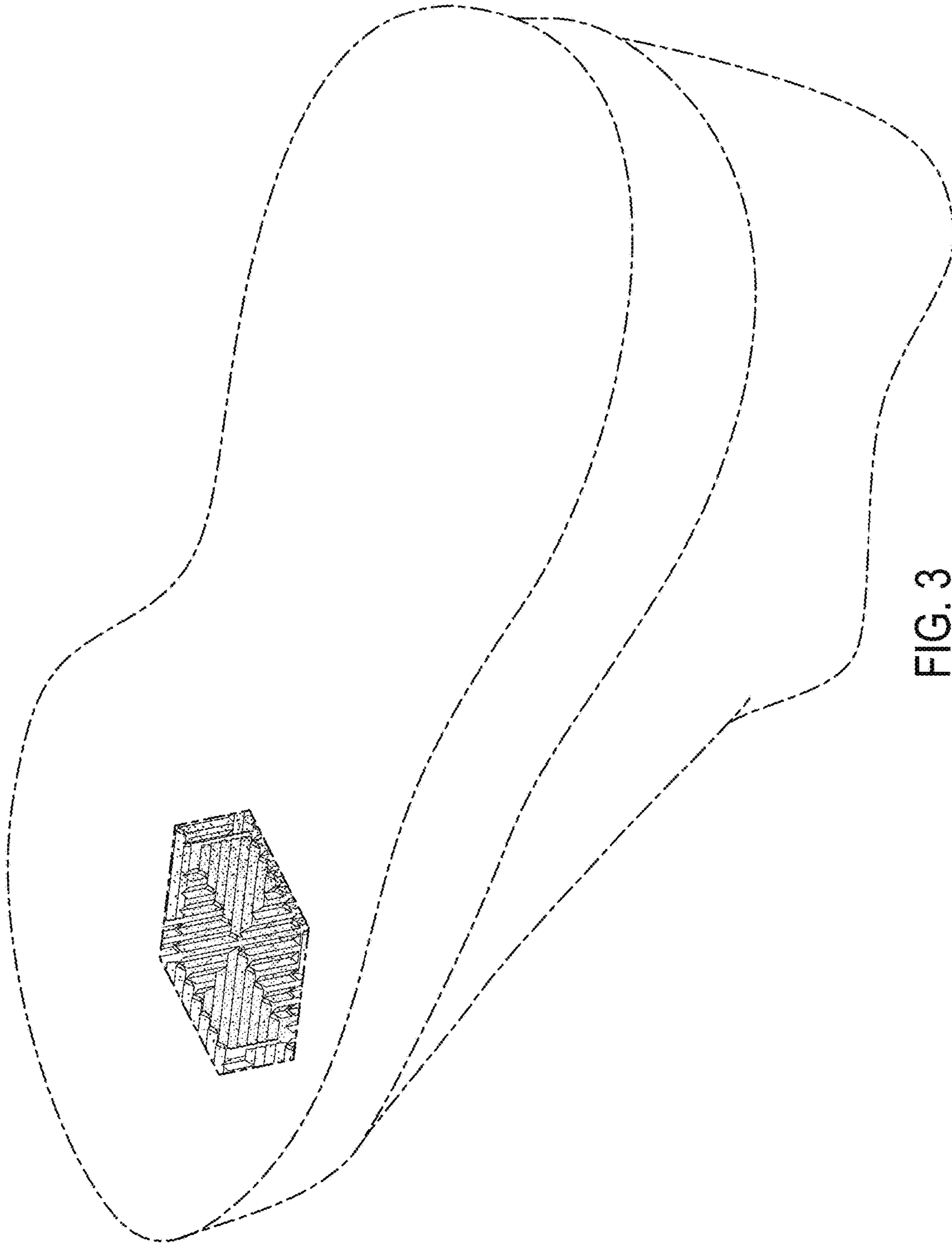


FIG. 3

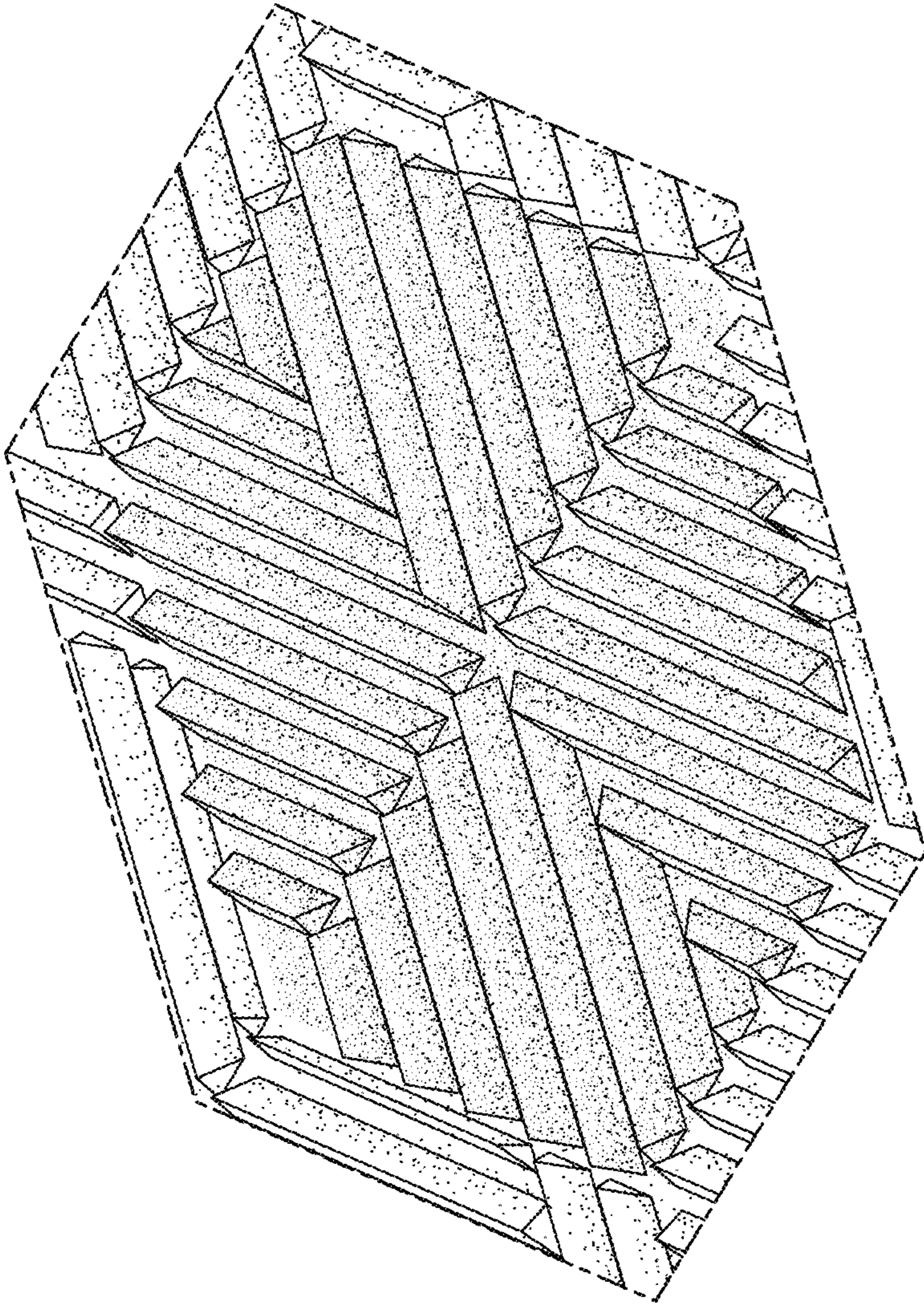


FIG. 4



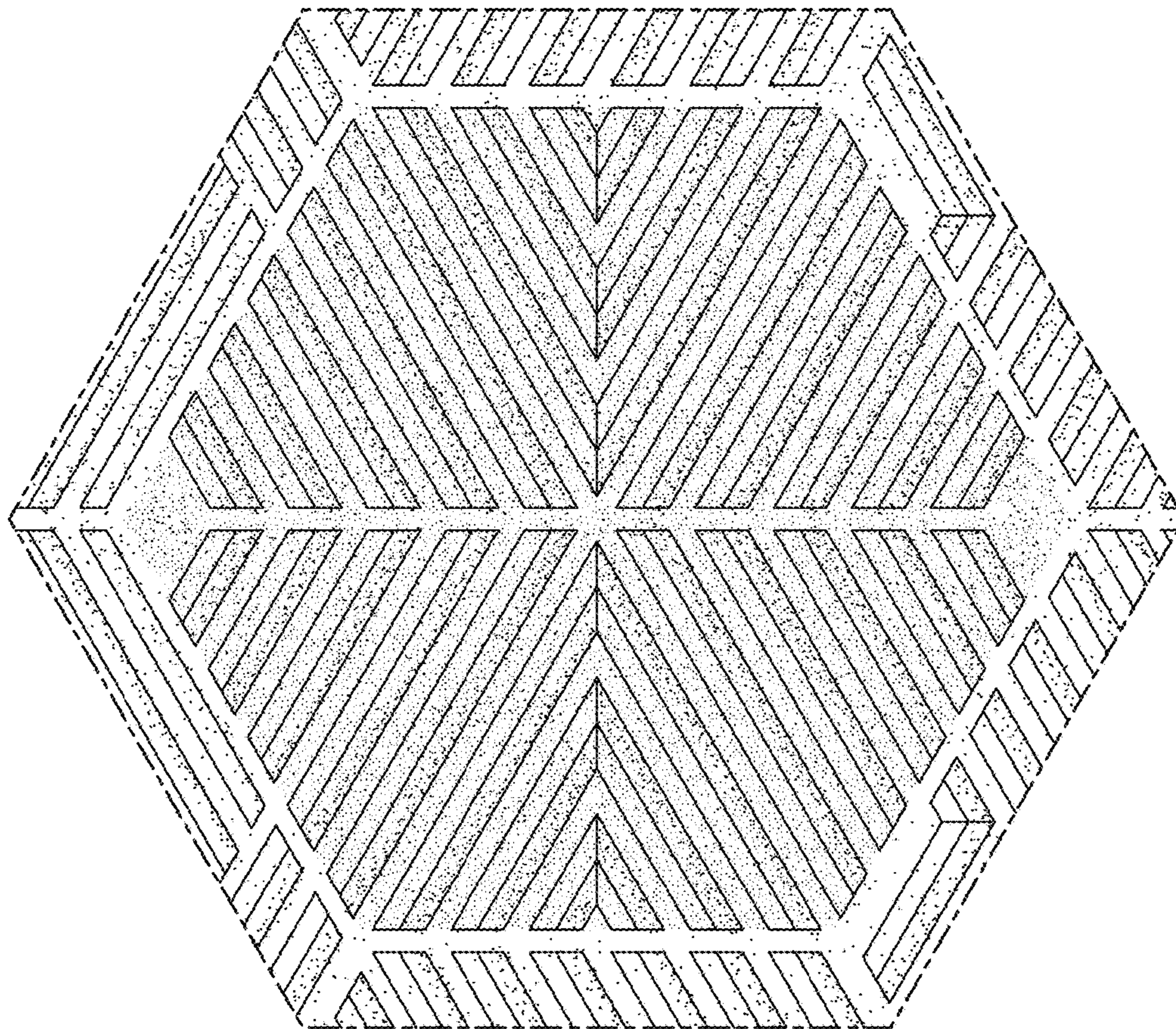


FIG. 5

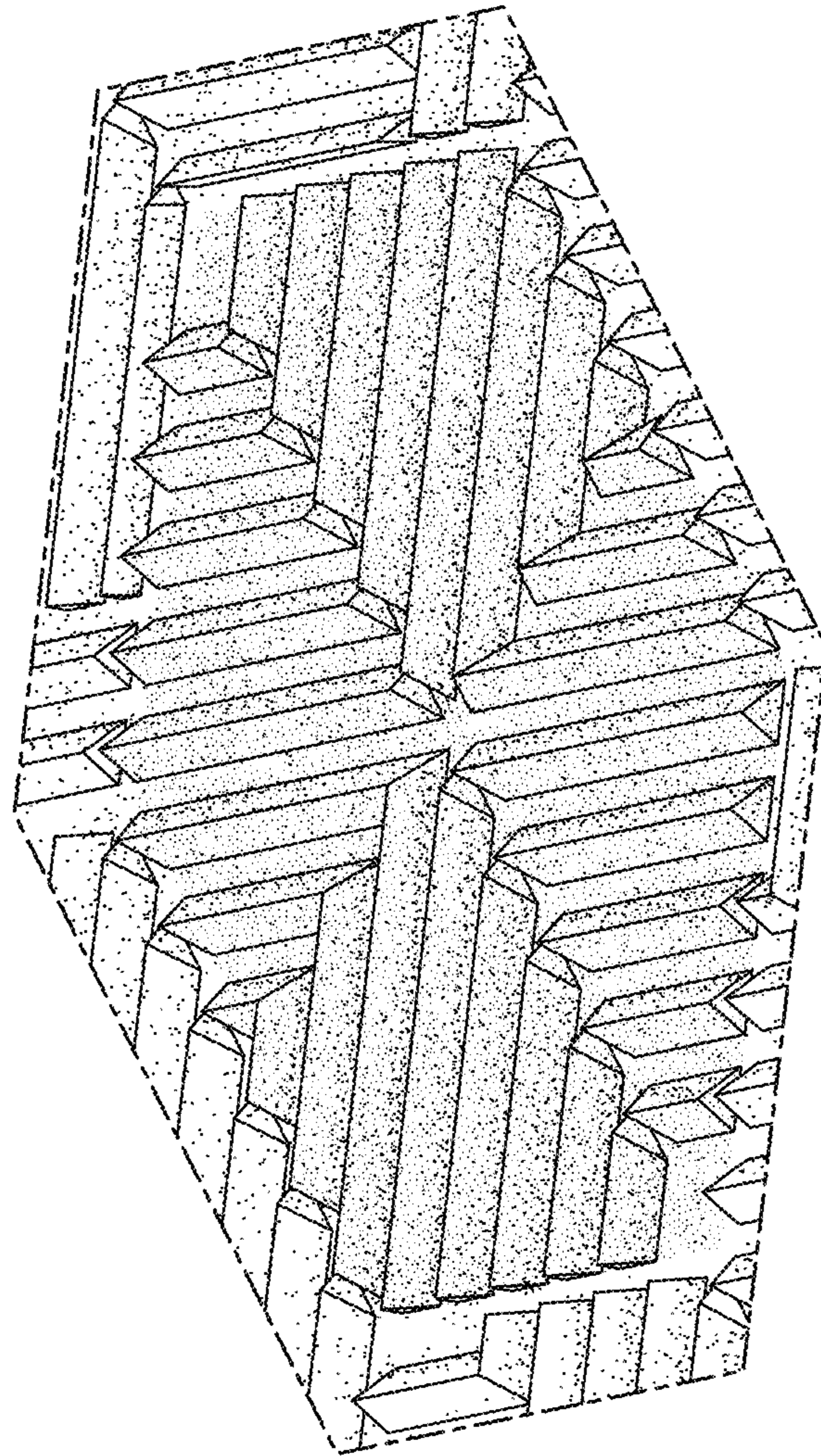


FIG. 6