



US00D789038S

(12) **United States Design Patent** (10) **Patent No.:** **US D789,038 S**
McKisic (45) **Date of Patent:** **** Jun. 13, 2017**

(54) **GARMENT**

(71) Applicant: **Michael M. McKisic**, College Park, GA (US)

(72) Inventor: **Michael M. McKisic**, College Park, GA (US)

(**) Term: **15 Years**

(21) Appl. No.: **29/564,539**

(22) Filed: **May 13, 2016**

(51) **LOC (10) Cl.** **02-02**

(52) **U.S. Cl.**
USPC **D2/742**

(58) **Field of Classification Search**
USPC 2/247, 227, 220; D2/742, 728, 400, 857; D11/221
CPC A41D 1/067; A41D 1/08; A41D 1/062; A41D 15/002; A41D 15/005; A41D 27/02; A41C 1/06
See application file for complete search history.

D534,709 S * 1/2007 Dipietro A41D 27/02 D2/742

D552,328 S * 10/2007 Smith D2/742

D562,532 S 2/2008 Brown, Jr.

D577,878 S 10/2008 Perrine et al.

D586,083 S * 2/2009 Green D2/742

D595,029 S * 6/2009 Diermayer D2/742

7,596,816 B1 10/2009 Henry et al.

D609,431 S 2/2010 Perez

D668,023 S * 10/2012 Lawson D2/742

D686,800 S * 7/2013 Kelly D2/742

D689,260 S * 9/2013 Barnes D2/742

8,813,266 B1 * 8/2014 Green A41F 7/00 2/229

D750,347 S * 3/2016 Boyle D2/742

2014/0026287 A1 * 1/2014 Clinton-Starks A41D 15/005 2/69

2015/0313302 A1 * 11/2015 Boyle A41D 27/28 2/228

* cited by examiner

Primary Examiner — Robin V Webster
Assistant Examiner — James Thorn, Sr.

(57) **CLAIM**

The ornamental design for a garment, as shown and described.

DESCRIPTION

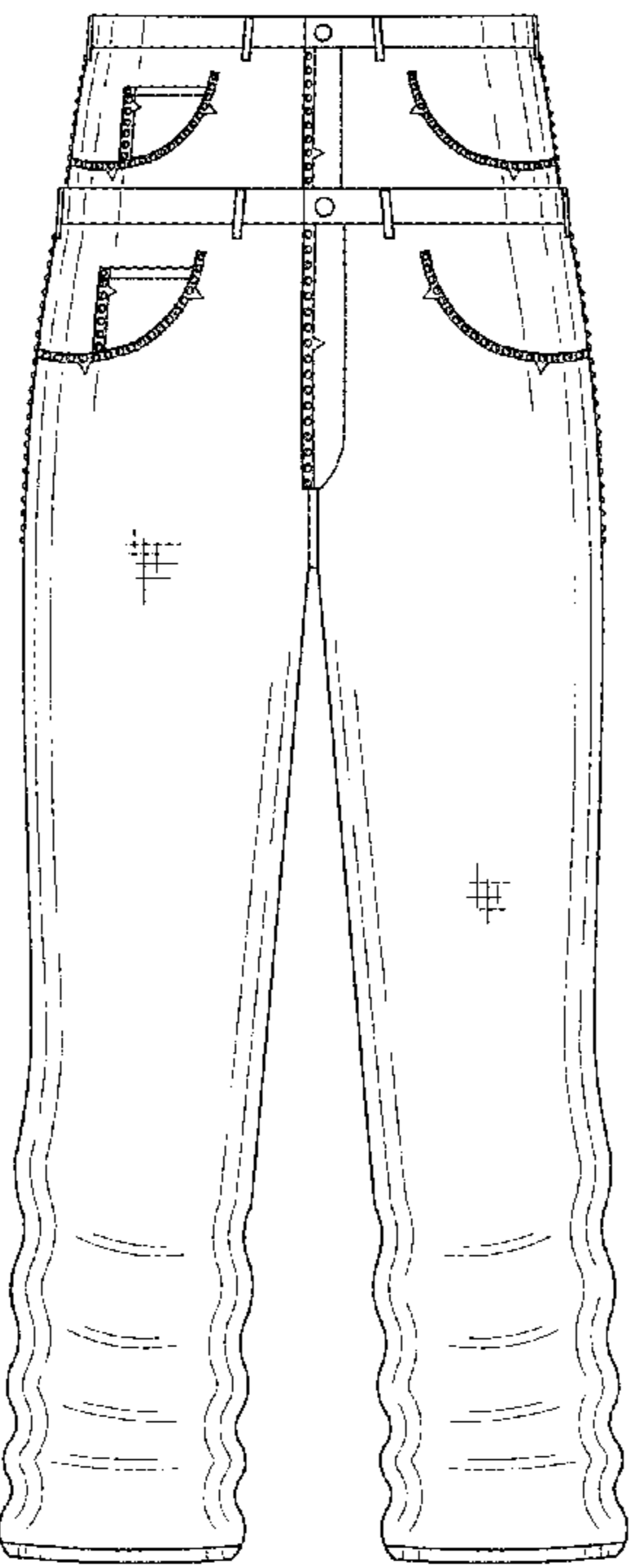
FIG. 1 is a front view of a garment showing my new design; FIG. 2 is a rear view of the garment; FIG. 3 is a left side view of the garment; FIG. 4 is a right side view of the garment; FIG. 5 is a top view of the garment; and, FIG. 6 is a bottom view of the garment.

1 Claim, 4 Drawing Sheets

(56) **References Cited**

U.S. PATENT DOCUMENTS

4,561,121 A 12/1985 Ehring et al.
5,675,842 A 10/1997 Schaefer
5,689,832 A 11/1997 Head
D392,085 S 3/1998 Head et al.
6,202,220 B1 3/2001 Rhoden
6,308,338 B1 * 10/2001 Caldwell A41D 1/062 2/312
6,922,849 B1 8/2005 Fedrick



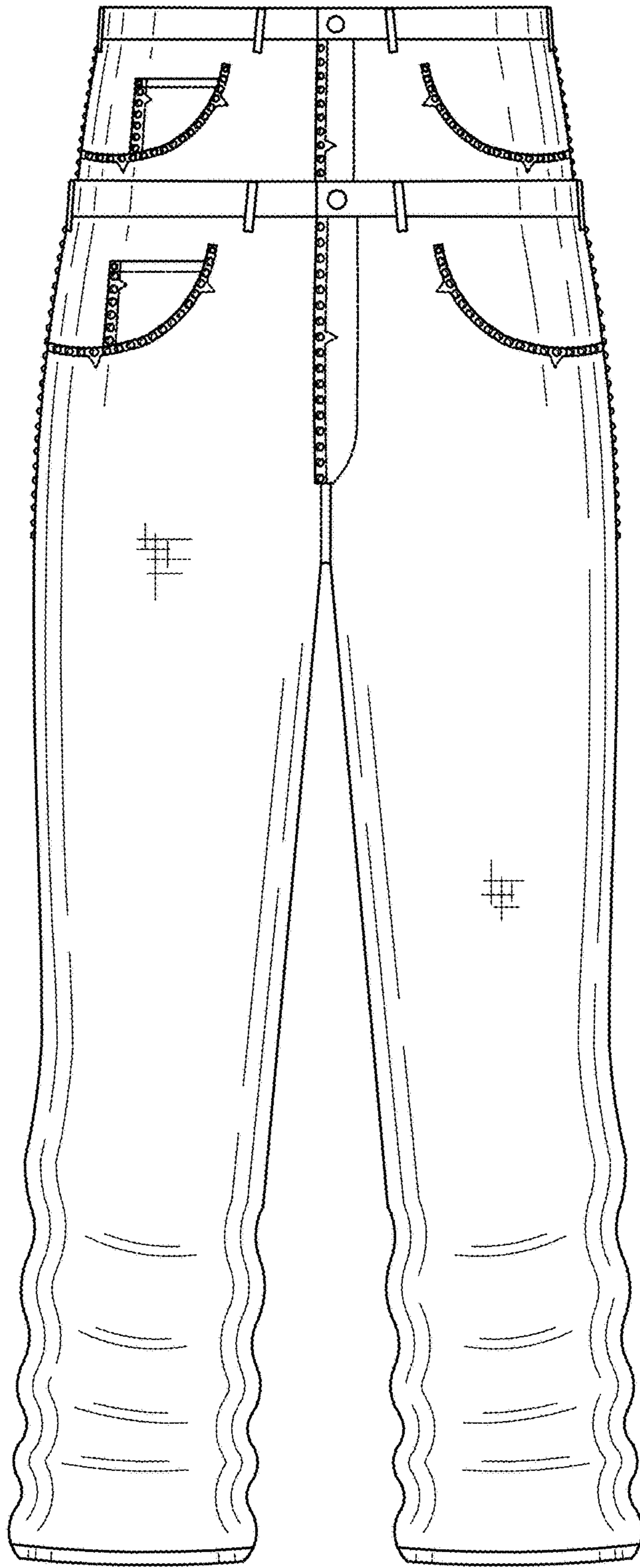


FIG. 1

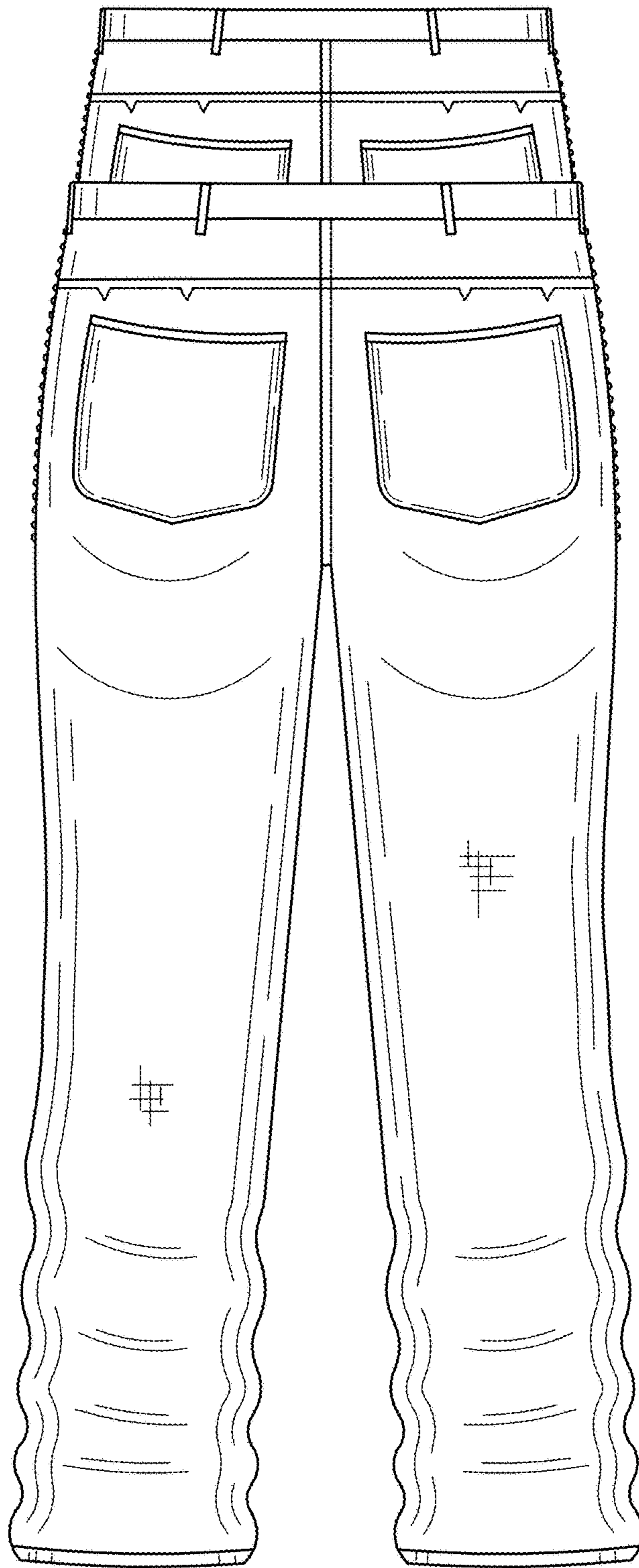


FIG. 2

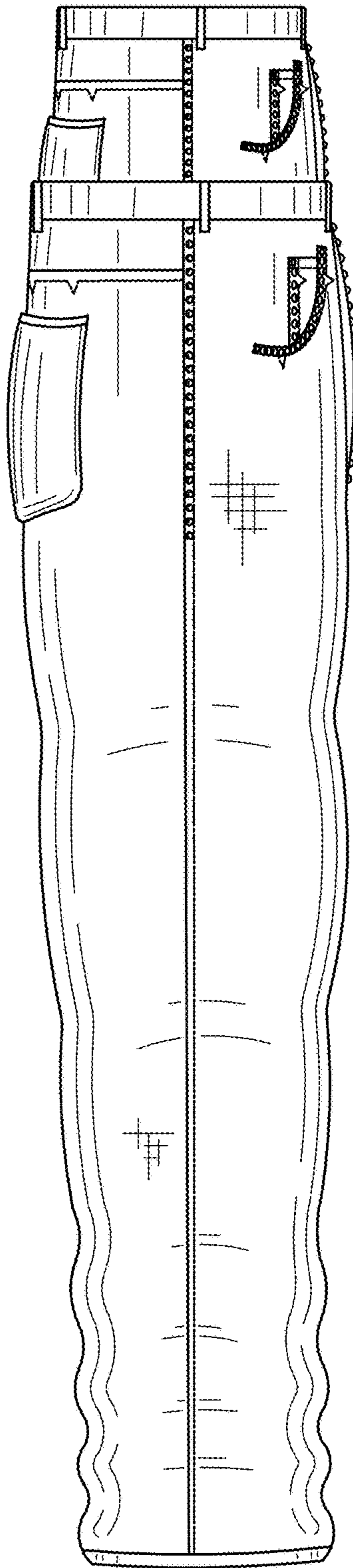


FIG. 3

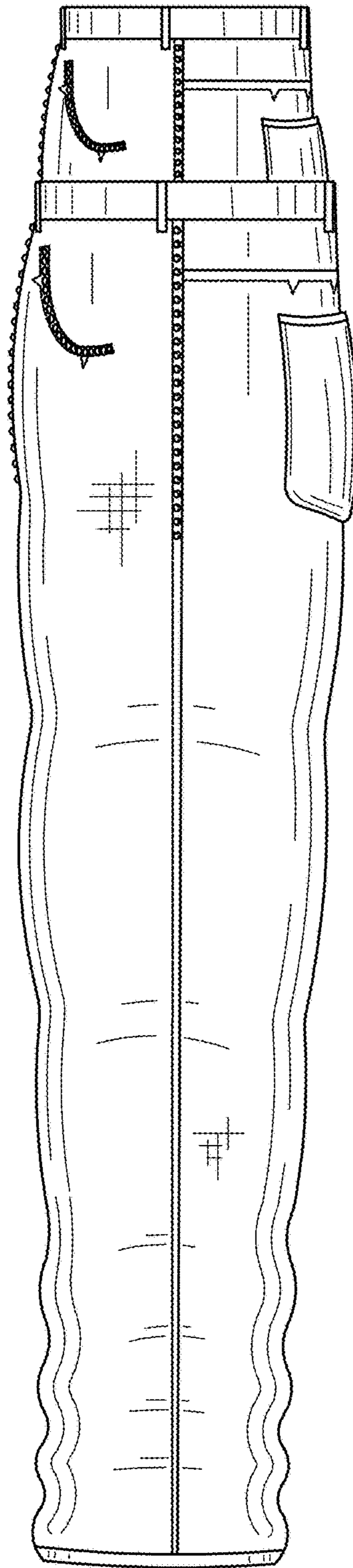


FIG. 4

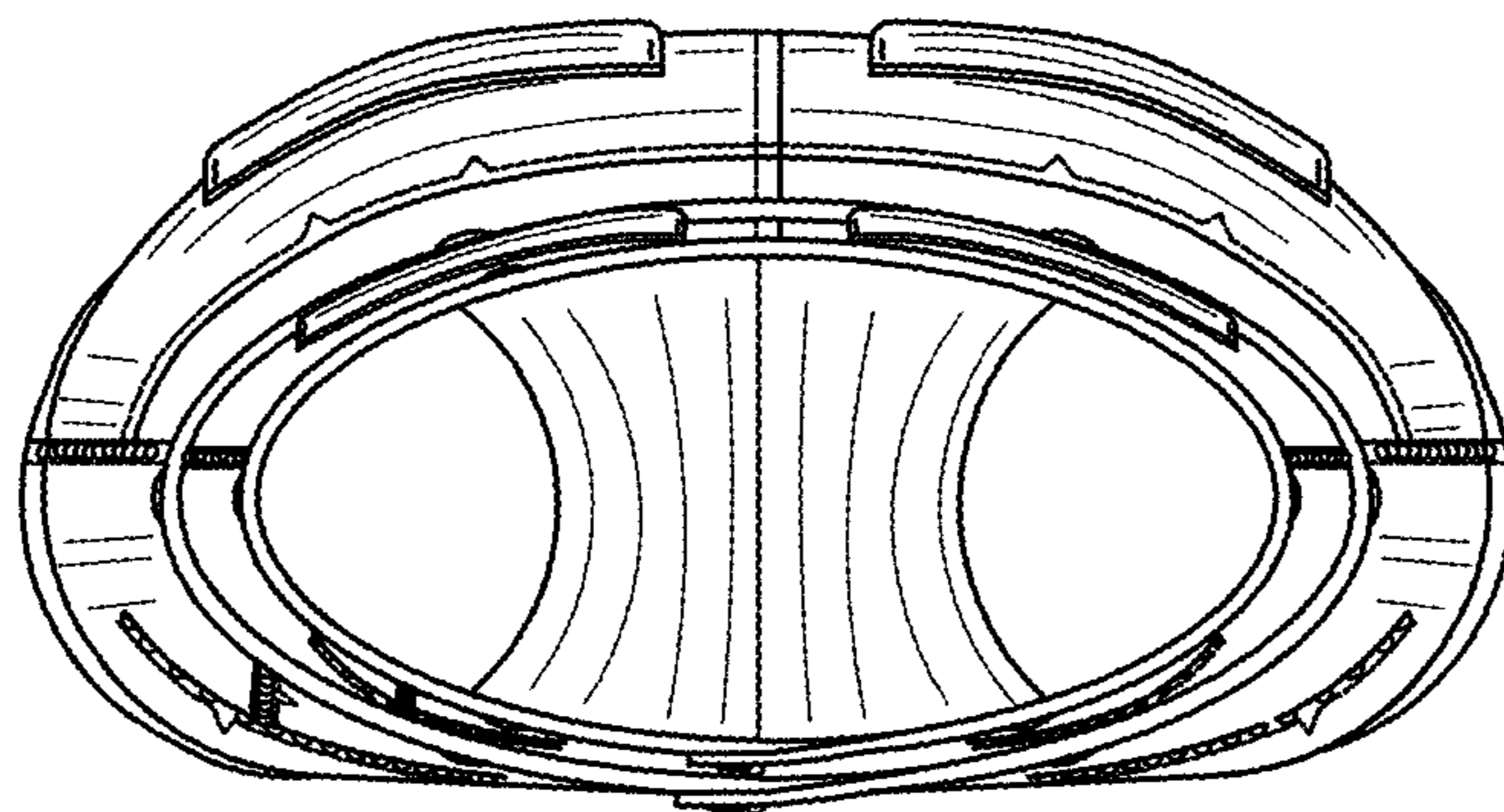


FIG. 5

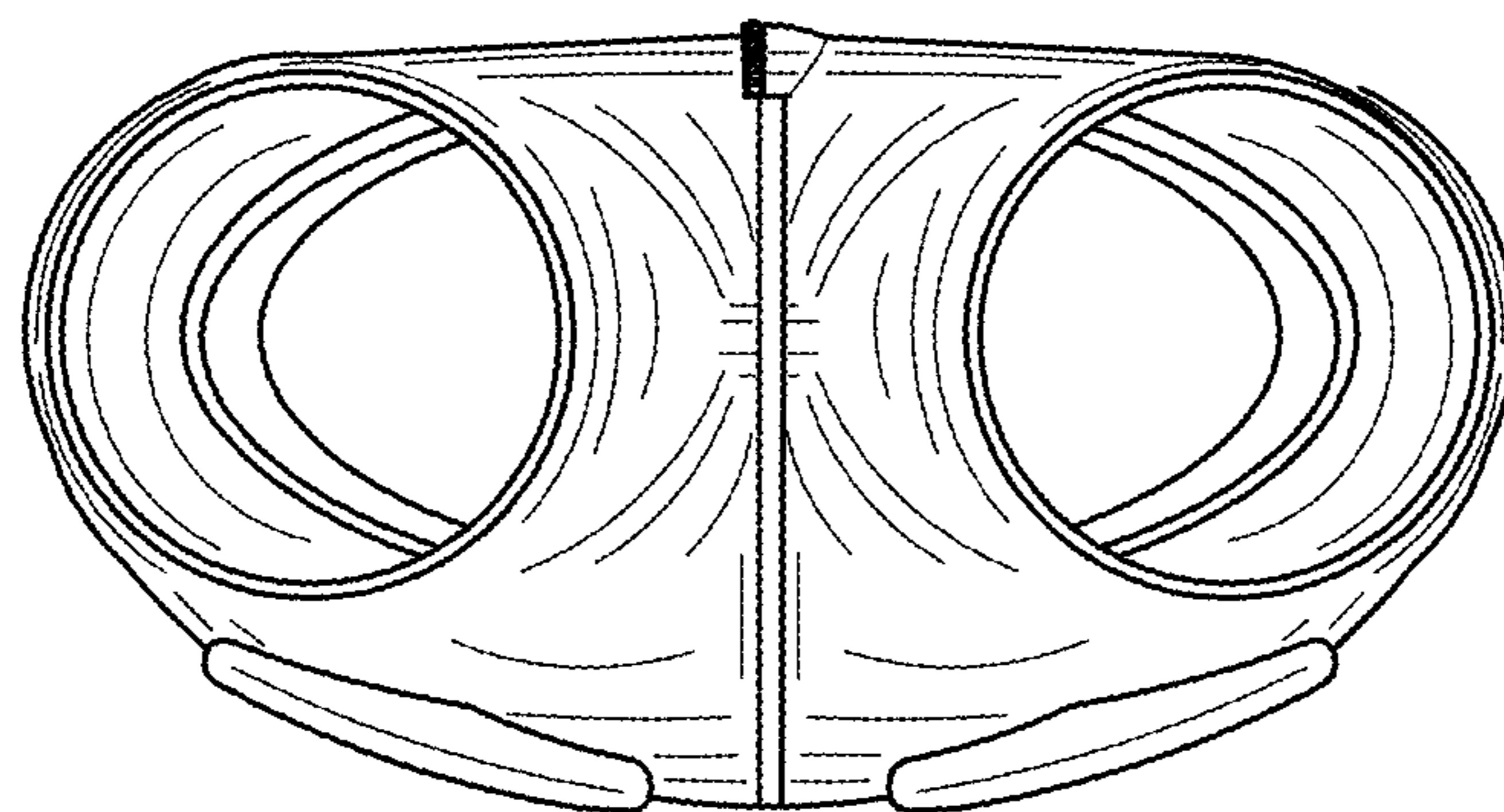


FIG. 6