



US00D789037S

(12) **United States Design Patent**  
**Carvalho**

(10) **Patent No.:** **US D789,037 S**

(45) **Date of Patent:** **\*\* Jun. 13, 2017**

(54) **TROUSERS**

(71) Applicant: **WEADAPT-INCLUSIVE DESIGN & ENGINEERING SOLUTIONS**, Braga (PT)

(72) Inventor: **Miguel Angelo Fernandes Carvalho**, Braga (PT)

(73) Assignee: **Weadapt-Inclusive Design and Engineering Solutions LDA**, Braga (PT)

(\*\*) Term: **14 Years**

(21) Appl. No.: **29/502,483**

(22) Filed: **Sep. 16, 2014**

(30) **Foreign Application Priority Data**

Mar. 3, 2014 (EM) ..... 002416800-0001

(51) **LOC (10) Cl.** ..... **02-01**

(52) **U.S. Cl.**  
USPC ..... **D2/742**

(58) **Field of Classification Search**  
USPC ..... D2/731, 738, 739, 742, 743, 745, 700,  
D2/748, 747

CPC ..... A41D 1/067; A41D 13/065; A41D 27/08;  
A41D 1/06; A41D 13/02

See application file for complete search history.

(56) **References Cited**

**U.S. PATENT DOCUMENTS**

1,571,016 A \* 1/1926 Lesser ..... A41D 1/08  
2/228  
D226,643 S \* 4/1973 Cooper ..... 2/234  
D255,168 S \* 6/1980 Taylor ..... D2/742  
6,161,223 A \* 12/2000 Andrews ..... A41D 1/065  
2/227  
D485,049 S \* 1/2004 Newson ..... D2/742

D598,180 S \* 8/2009 Fu ..... D2/742  
D616,630 S \* 6/2010 Christiansen ..... D2/742  
D630,415 S \* 1/2011 Nunn ..... D2/742  
D680,299 S \* 4/2013 Scott ..... D2/742  
D731,150 S \* 6/2015 Styles ..... D2/742  
D734,000 S \* 7/2015 Boyle ..... D2/742  
2002/0138895 A1 \* 10/2002 Tajima ..... A41F 9/025  
2/237

\* cited by examiner

*Primary Examiner* — Holly Baynham

*Assistant Examiner* — Rashida C Walshon

(74) *Attorney, Agent, or Firm* — Holland & Hart LLP

(57) **CLAIM**

The ornamental design for trousers, as shown and described.

**DESCRIPTION**

FIG. 1 is a front view of the trousers, showing my new design;

FIG. 2 is a rear view of the design illustrated in FIG. 1;

FIG. 3 is a partial rear view of the upper portion of the design illustrated in FIG. 1;

FIG. 4 is a partial rear view of the upper portion of the design illustrated in FIG. 1 with a zippered panel partially opened;

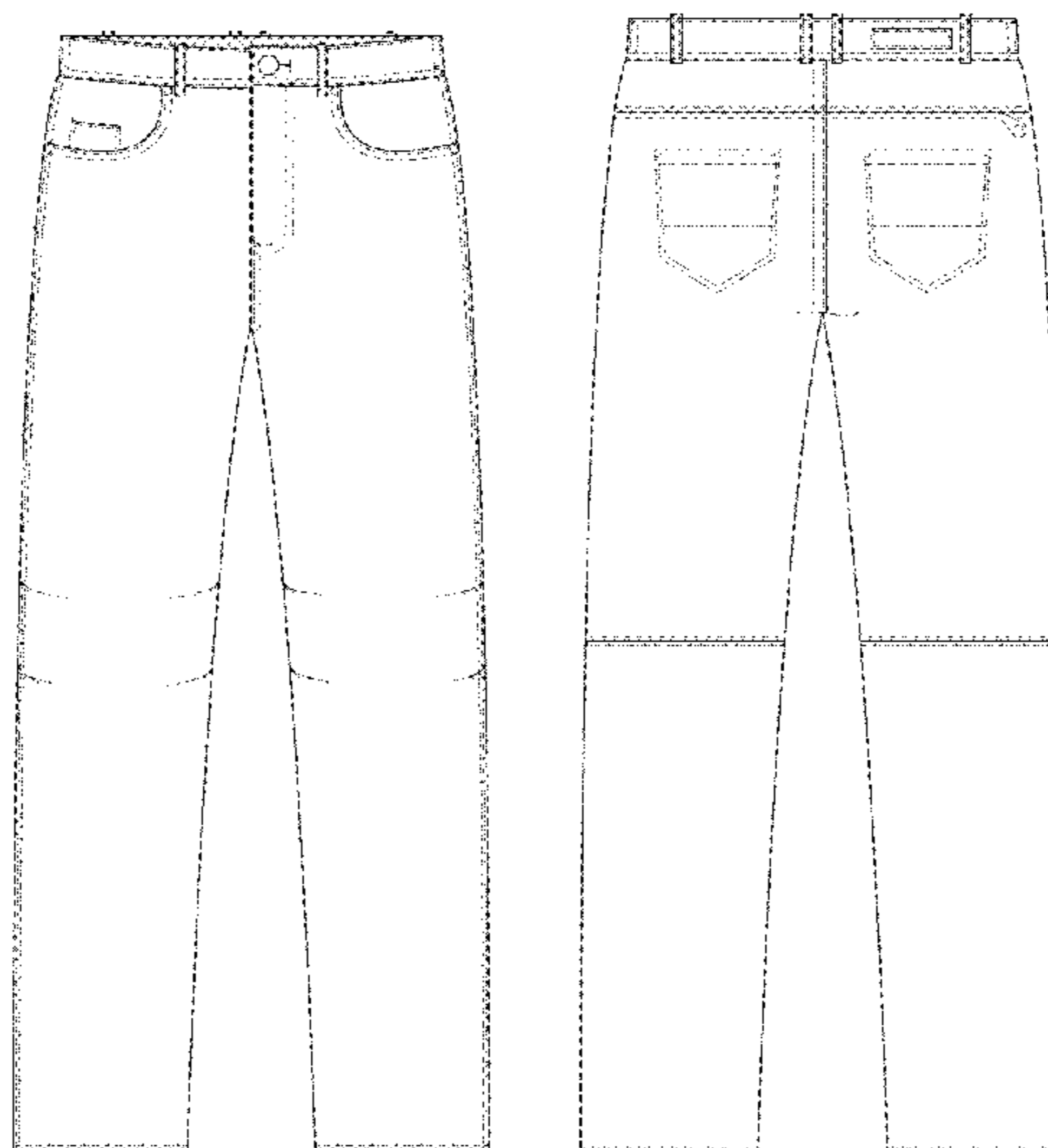
FIG. 5 is a partial top perspective view of the design illustrated in FIG. 1 with a slit in the waist area of the trousers expanded;

FIG. 6 is a partial top perspective view of the design illustrated in FIG. 1 with the slit in the waist area of the trousers closed; and,

FIG. 7 is a top and right side perspective view of the design illustrated in FIG. 1 with the slit in the waist area of the trousers expanded and the zippered panel opened.

The broken lines in the drawings views represent claimed stitching. The tonal grey shaded portions on the inside of the trousers and on the side gusset of the trousers are to provide contrast only and do not indicate a color or a type of material of the claimed design.

**1 Claim, 5 Drawing Sheets**



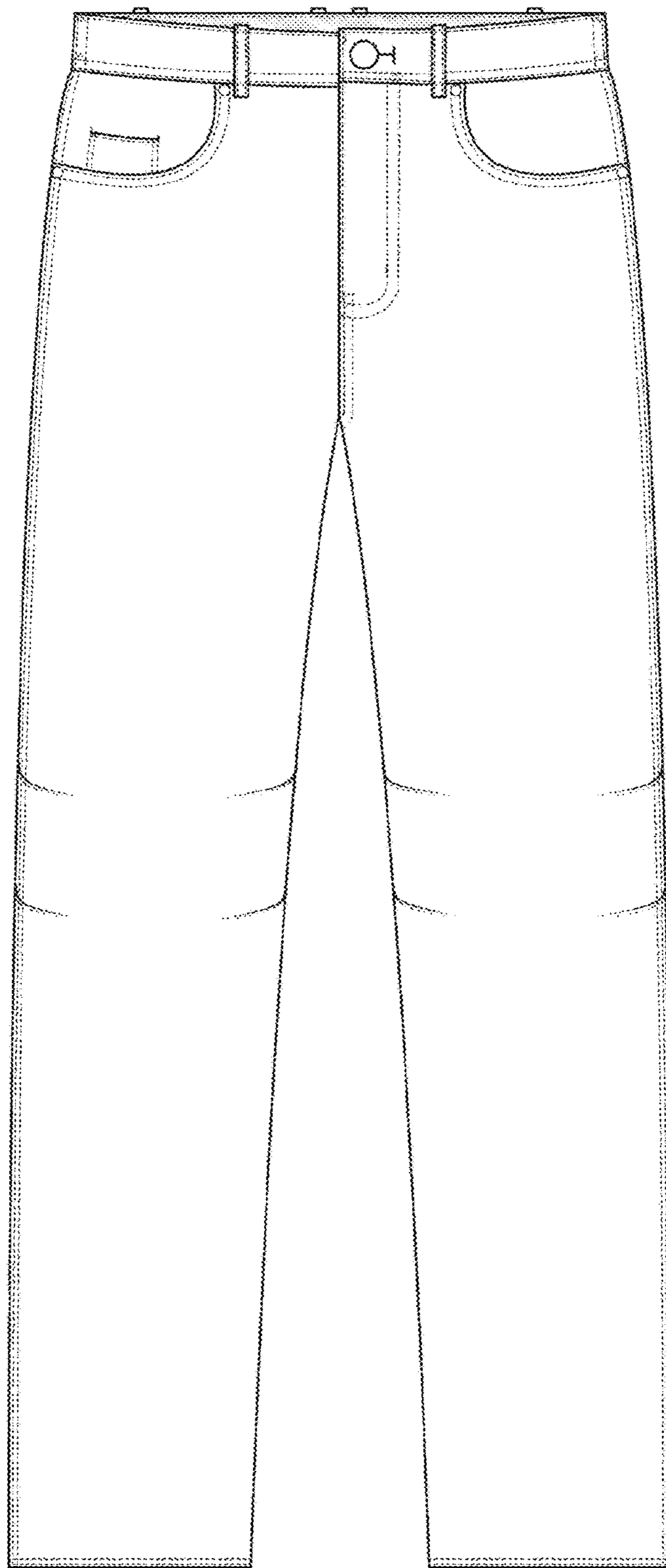


FIG. 1

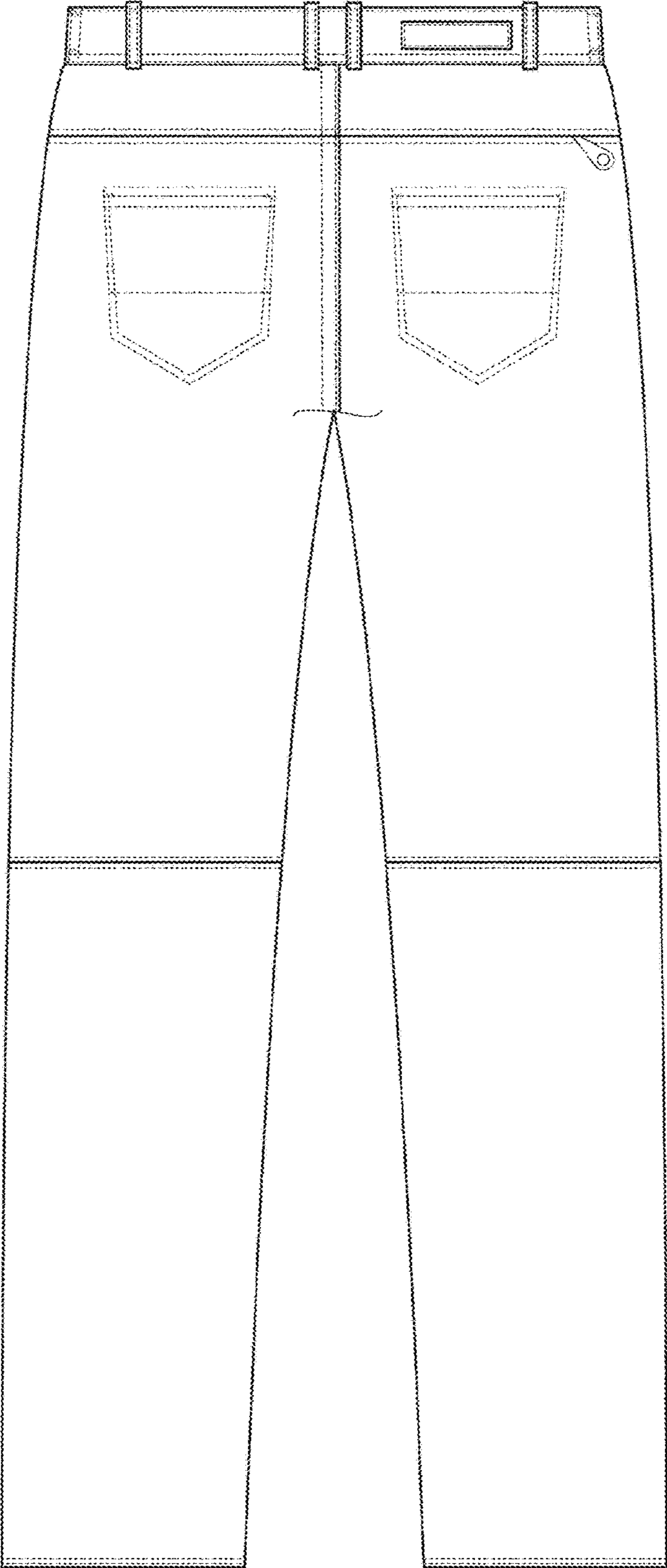


FIG. 2

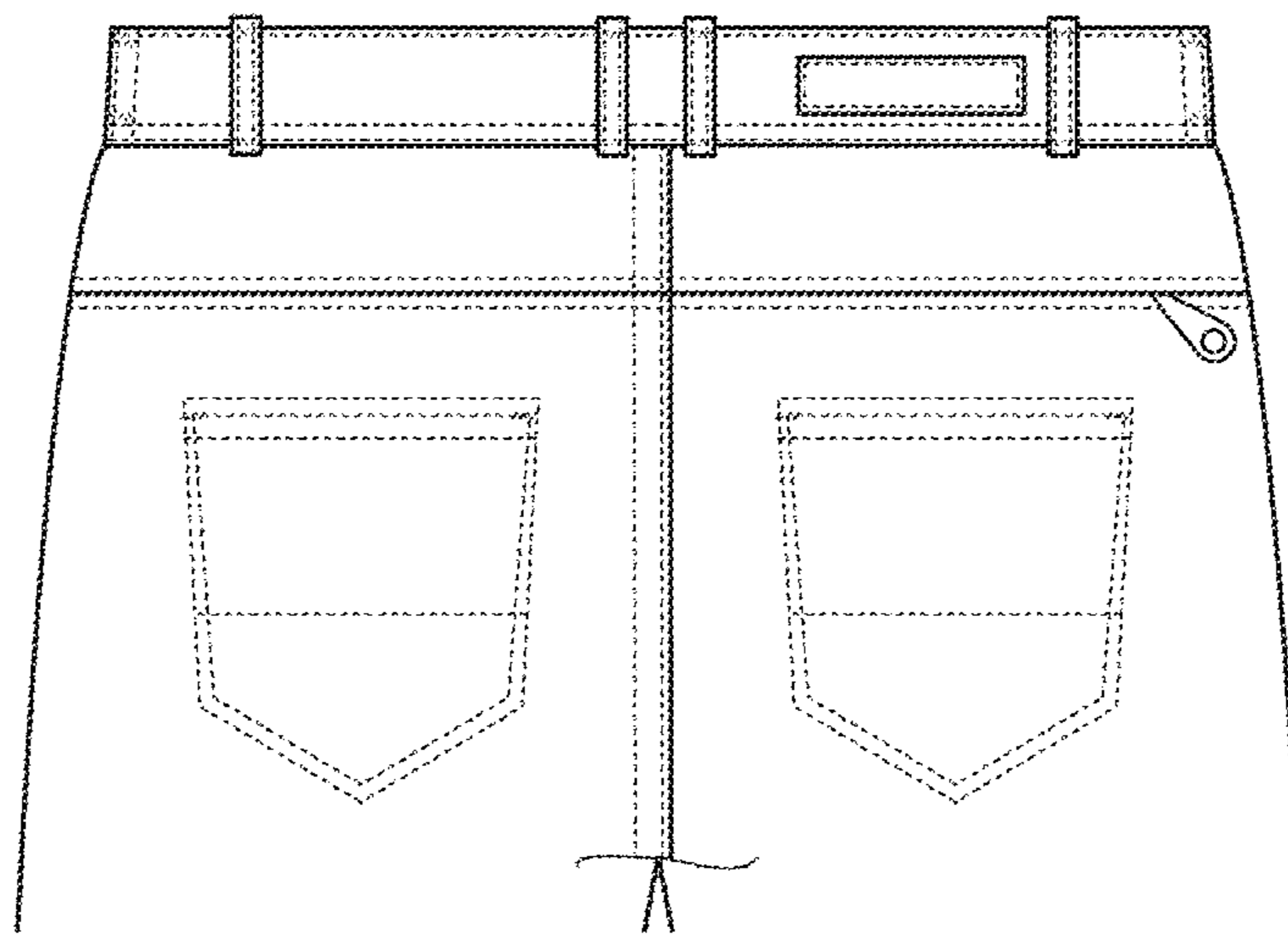


FIG. 3

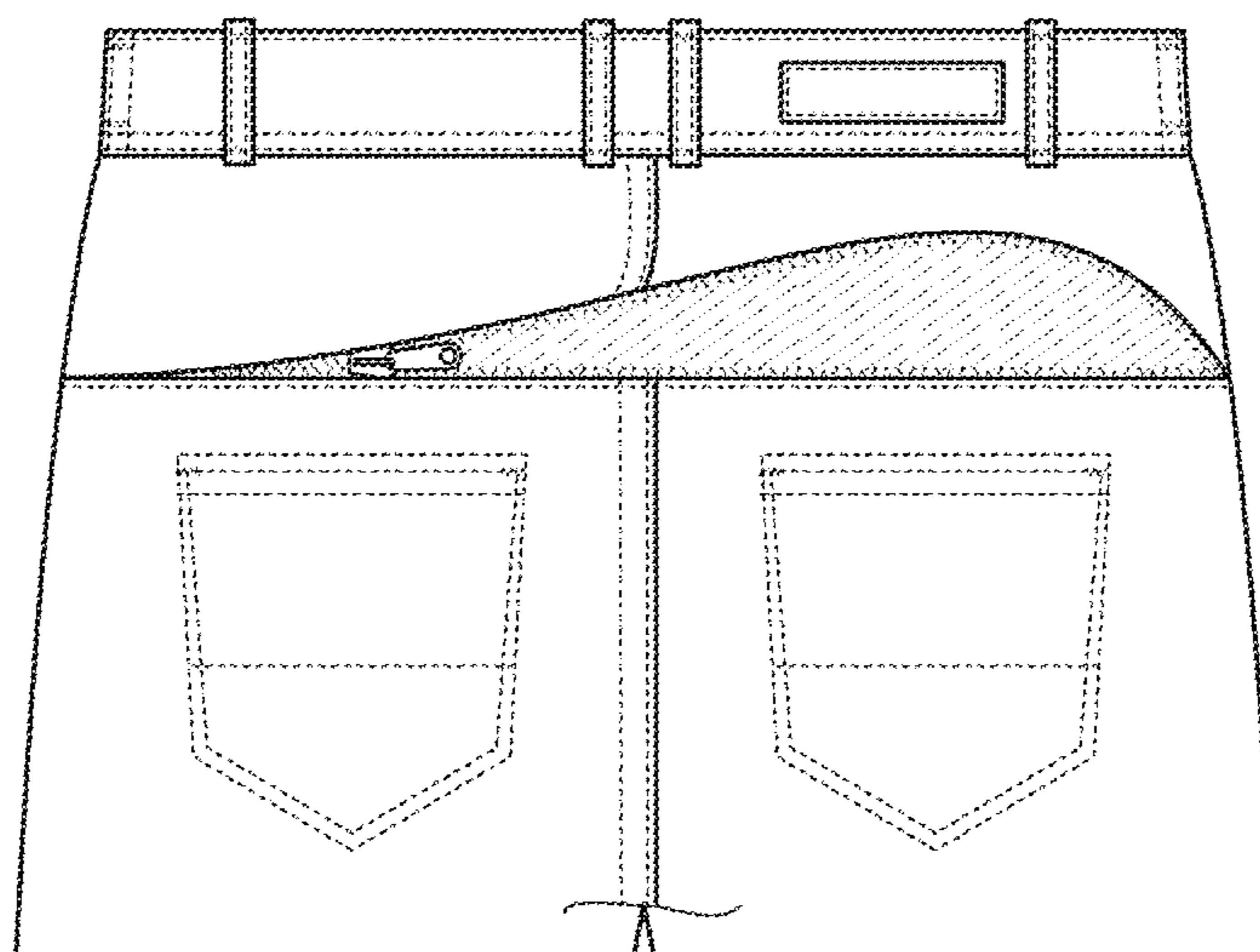


FIG. 4

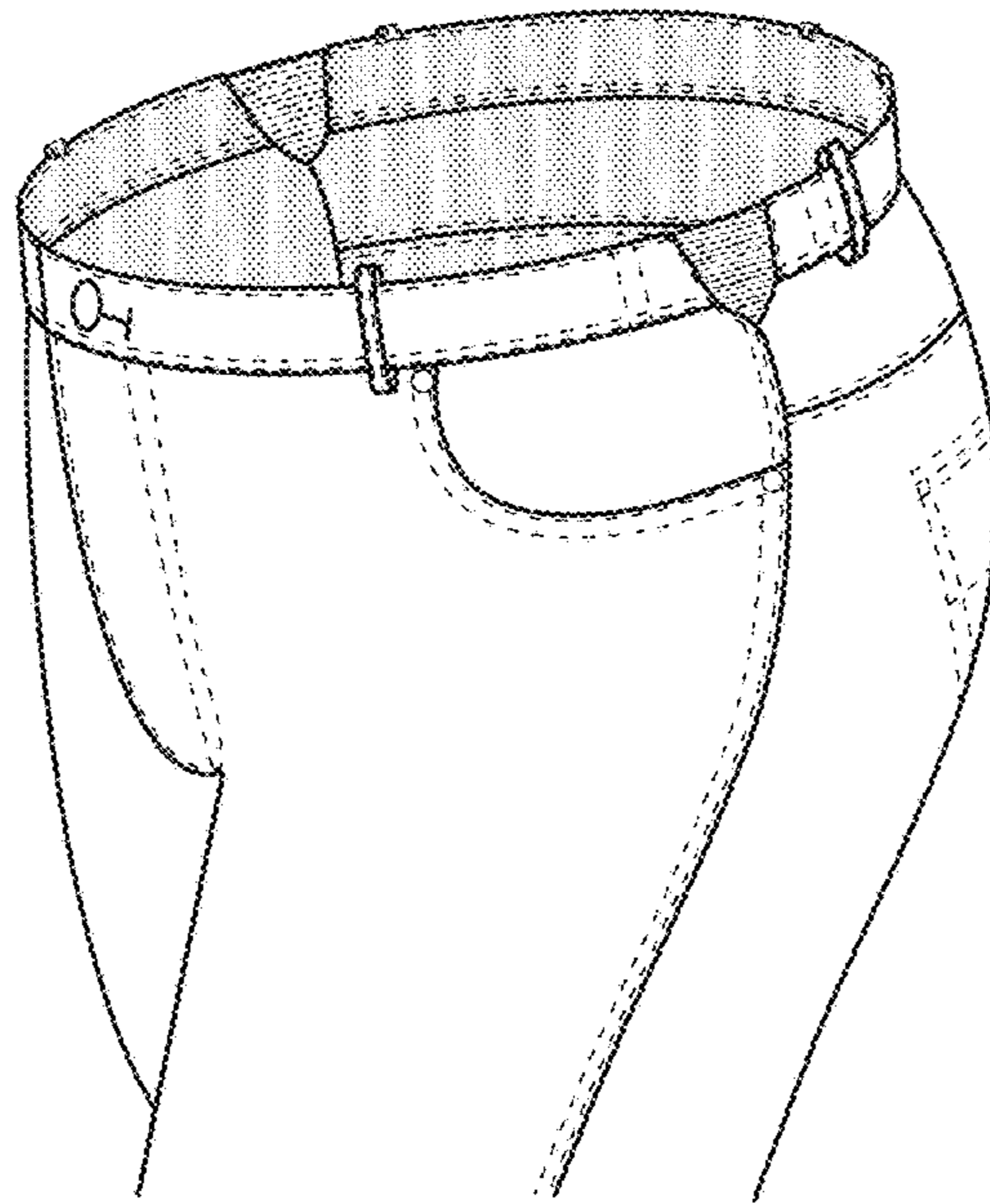


FIG. 5

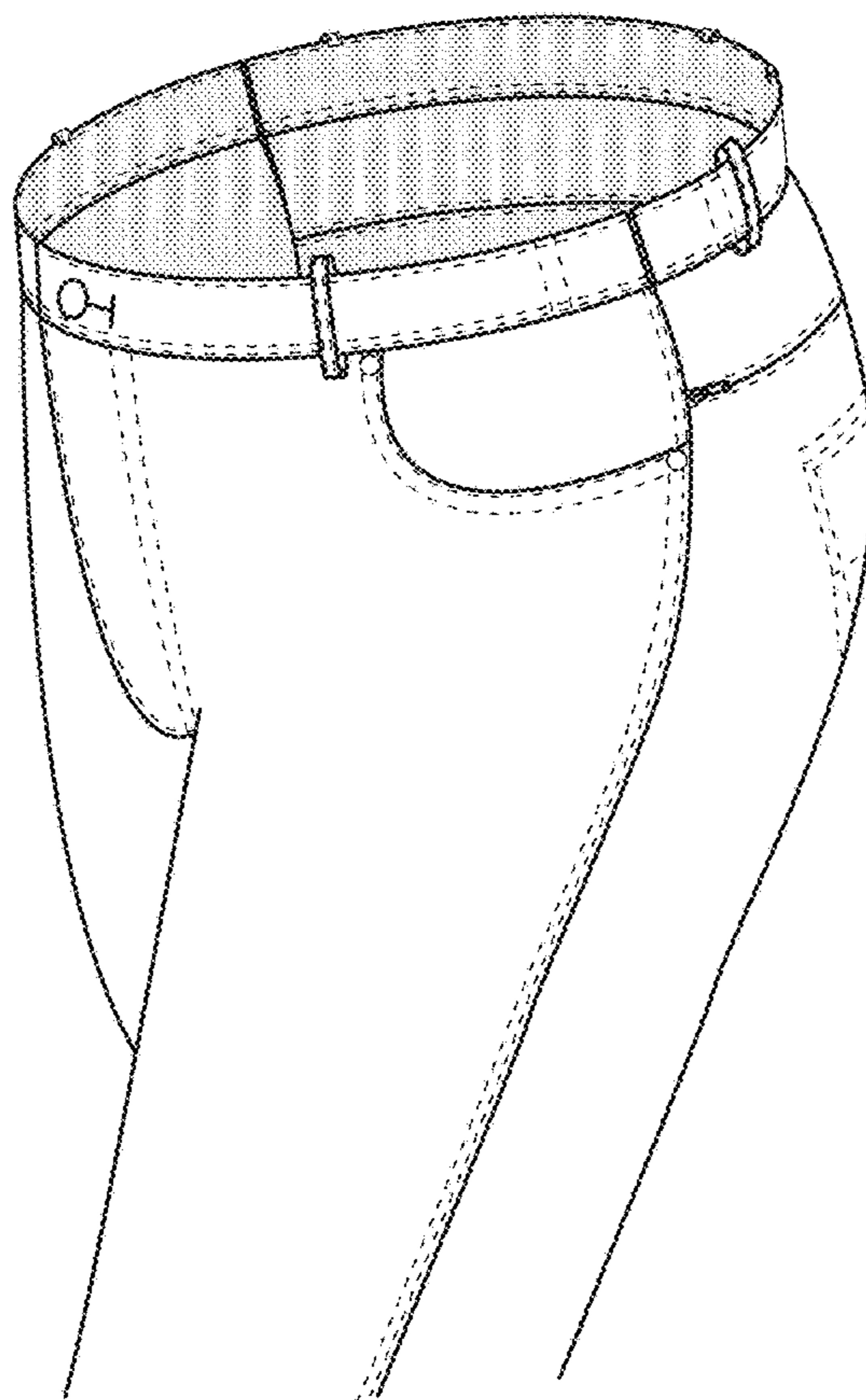


FIG. 6

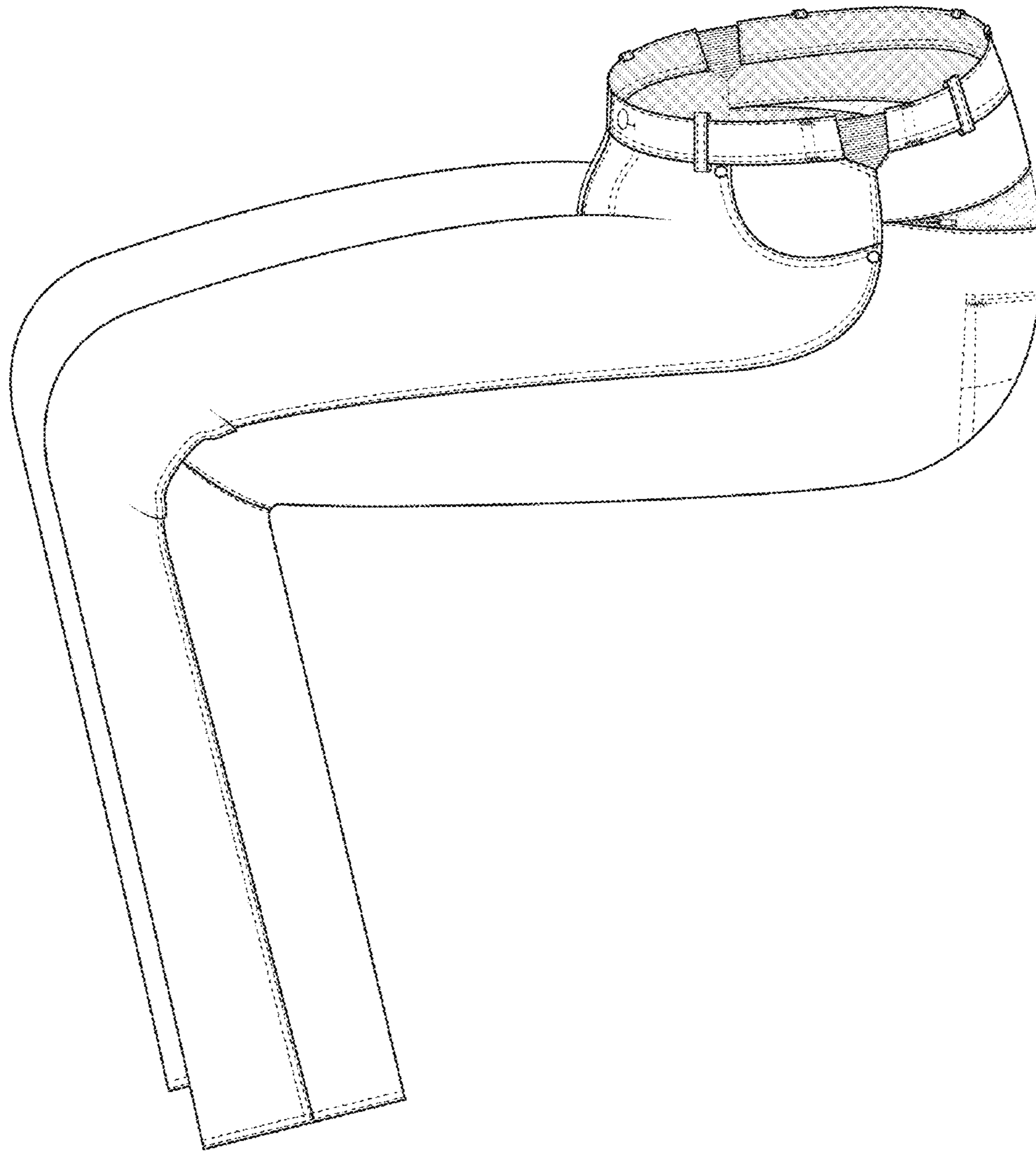


FIG. 7