



US00D789025S

(12) **United States Design Patent**
Shubert

(10) **Patent No.:** **US D789,025 S**

(45) **Date of Patent:** **** Jun. 13, 2017**

(54) **ROLLED AND DECORATED CUPCAKE**

(71) Applicant: **Lori Shubert**, Key West, FL (US)

(72) Inventor: **Lori Shubert**, Key West, FL (US)

(**) Term: **14 Years**

(21) Appl. No.: **29/474,667**

(22) Filed: **Dec. 22, 2014**

(51) **LOC (10) Cl.** **01-01**

(52) **U.S. Cl.**
USPC **D1/101**

(58) **Field of Classification Search**
USPC D1/100-130, 199; 426/5, 76, 87, 92, 94,
426/95, 99, 101, 103, 108, 138-139, 143,
426/144, 279, 282, 283, 391, 514, 549,
426/660; D13/100; D24/101-104;
D28/8.1; 424/467; 425/195; 34/296;
D6/601

CPC .. A61K 9/2072; A61K 9/0004; A61K 9/2095;
A61K 9/209

See application file for complete search history.

(56) **References Cited**

U.S. PATENT DOCUMENTS

D310,440 S *	9/1990	Puglisi	D1/127
D314,855 S *	2/1991	Puglisi	D1/127
D375,549 S *	11/1996	Sauer	D24/101
D427,414 S *	7/2000	Despland	D1/127
D444,615 S *	7/2001	Borland	D1/199
6,371,755 B1 *	4/2002	Dearth	C11O 5/008
			431/126
6,852,347 B2 *	2/2005	Hayes-Jacobson	A21C 9/045
			426/275
D512,199 S *	12/2005	Ibanez	D1/129
D532,182 S *	11/2006	Hopkins	D1/127

D537,607 S *	3/2007	Adkins	D1/122
D650,523 S *	12/2011	Wilson	D28/8.1
D696,837 S *	1/2014	Lu	D1/128
D732,791 S *	6/2015	Enoch	D1/127

* cited by examiner

Primary Examiner — Garth Rademaker

Assistant Examiner — Katie J Stofko

(74) *Attorney, Agent, or Firm* — Robert J Doherty

(57) **CLAIM**

The ornamental design for a rolled and decorated cupcake, as shown and described.

DESCRIPTION

FIG. 1 is a front, right perspective view of a rolled and decorated cupcake illustrating the first embodiment of my invention;

FIG. 2 is a top plan view of FIG. 1;

FIG. 3 is a bottom plan view of FIG. 1;

FIG. 4 is a rear elevation view of FIG. 1;

FIG. 5 is a front elevation view of FIG. 1;

FIG. 6 is a right side elevation view of FIG. 1;

FIG. 7 is a left side elevation view of FIG. 1;

FIG. 8 is a front right perspective view of a second embodiment of my invention;

FIG. 9 is a top plan view of FIG. 8;

FIG. 10 is a bottom plan view of FIG. 8;

FIG. 11 is a rear elevation view of FIG. 8;

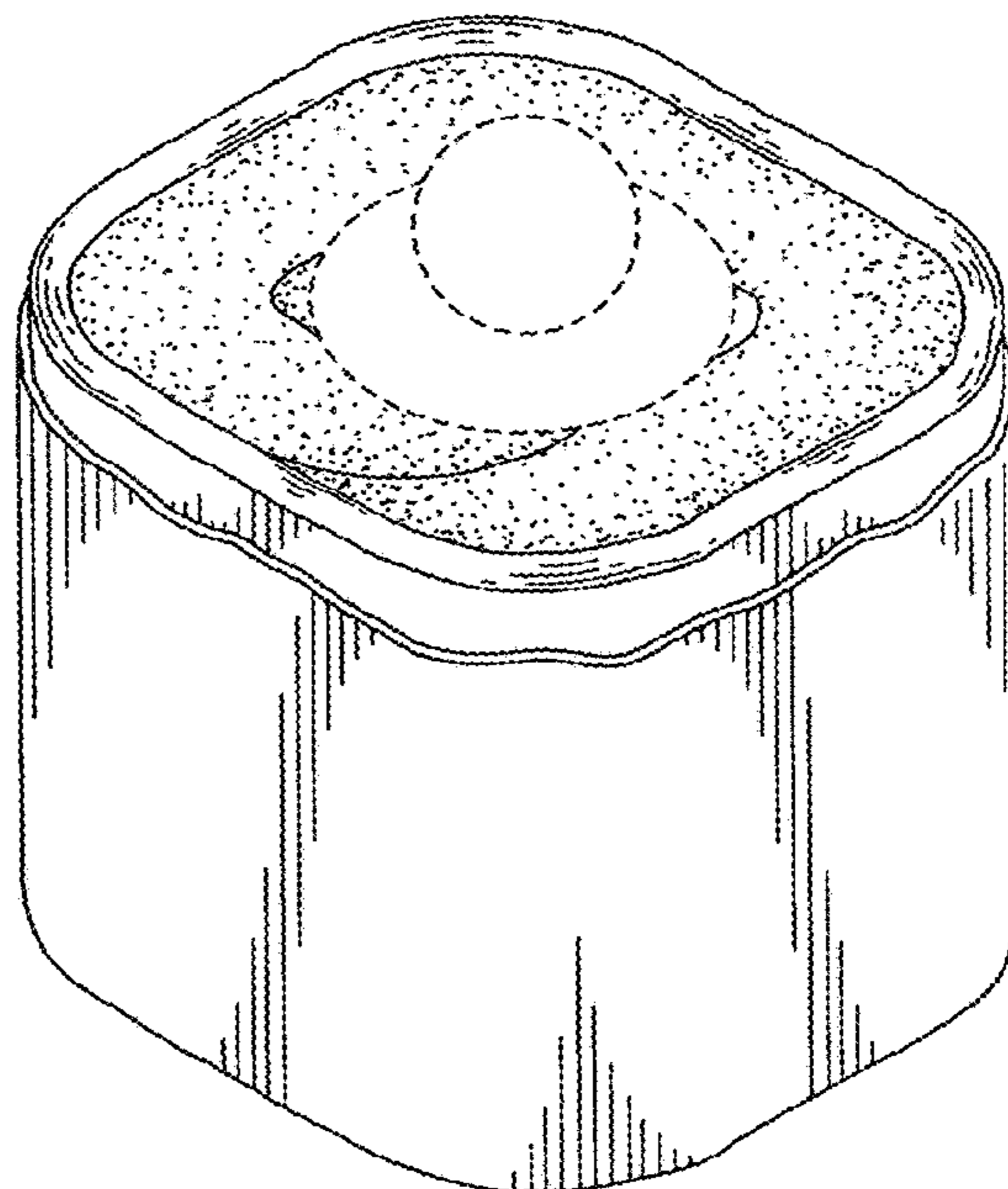
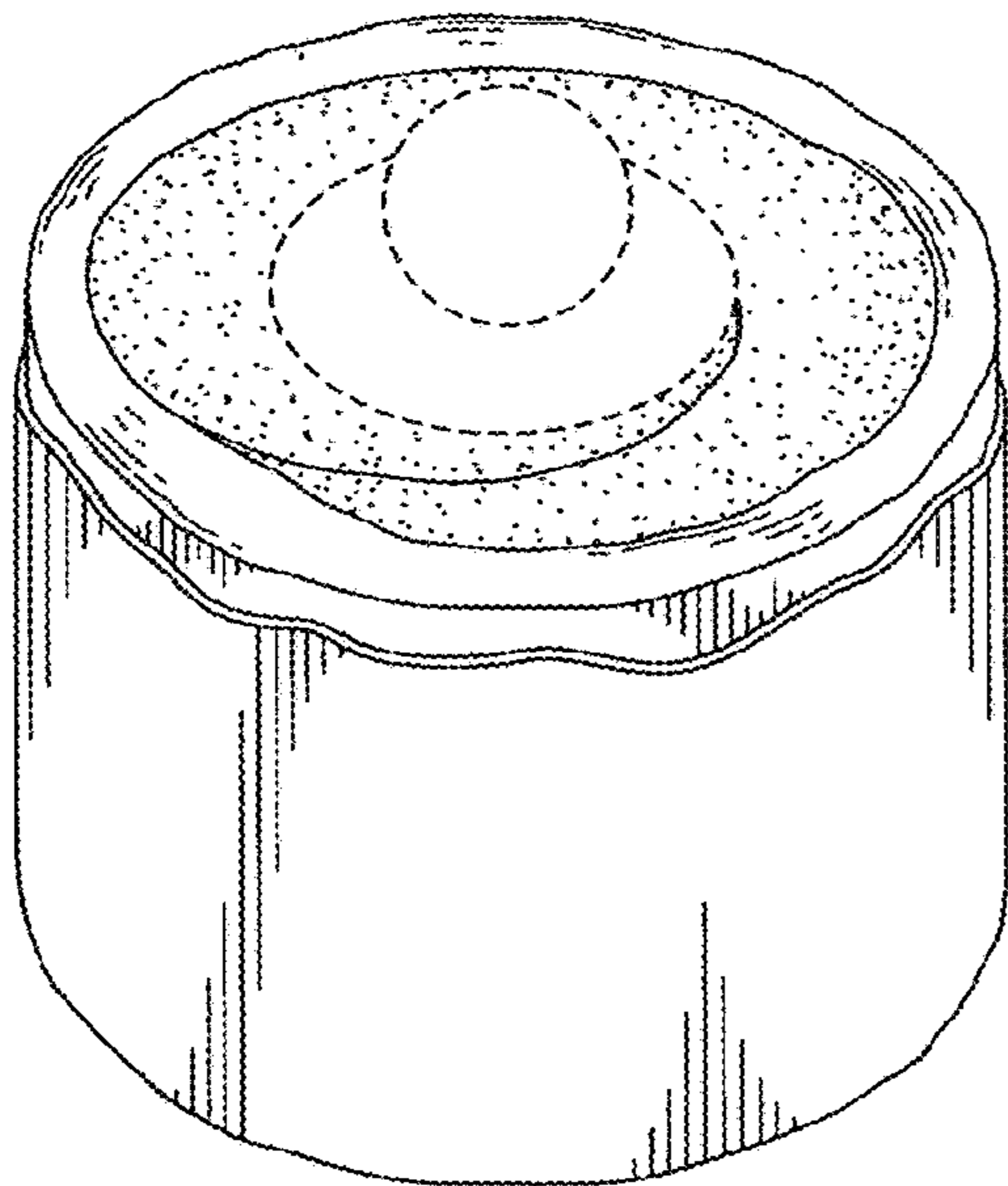
FIG. 12 is a front elevation view of FIG. 8;

FIG. 13 is a right side elevation view of FIG. 8; and,

FIG. 14 is a left side elevation view of FIG. 8.

The broken lines in the drawings illustrate portions of the rolled and decorated cupcake that form no part of the claimed design.

1 Claim, 8 Drawing Sheets



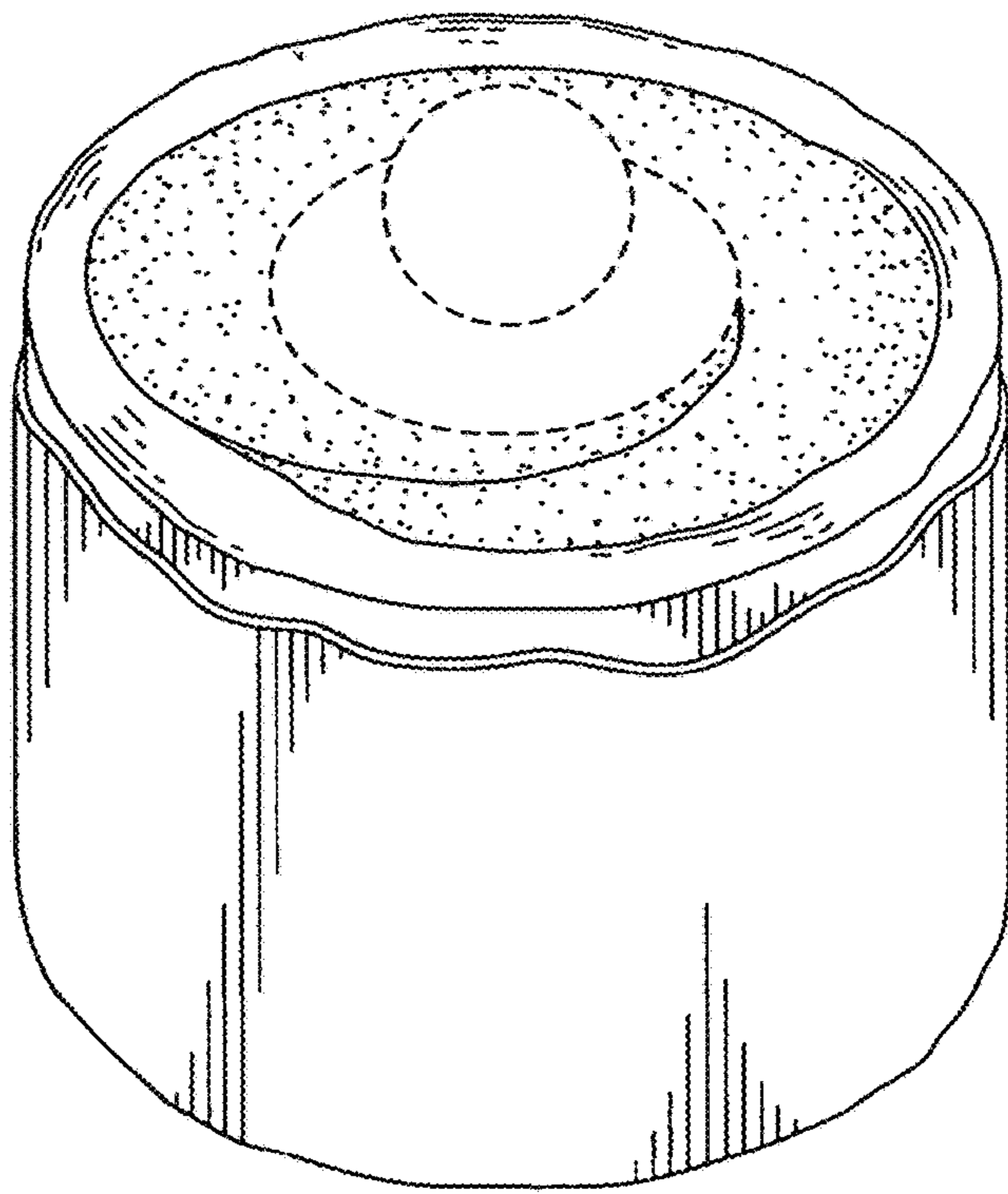


FIG. 1

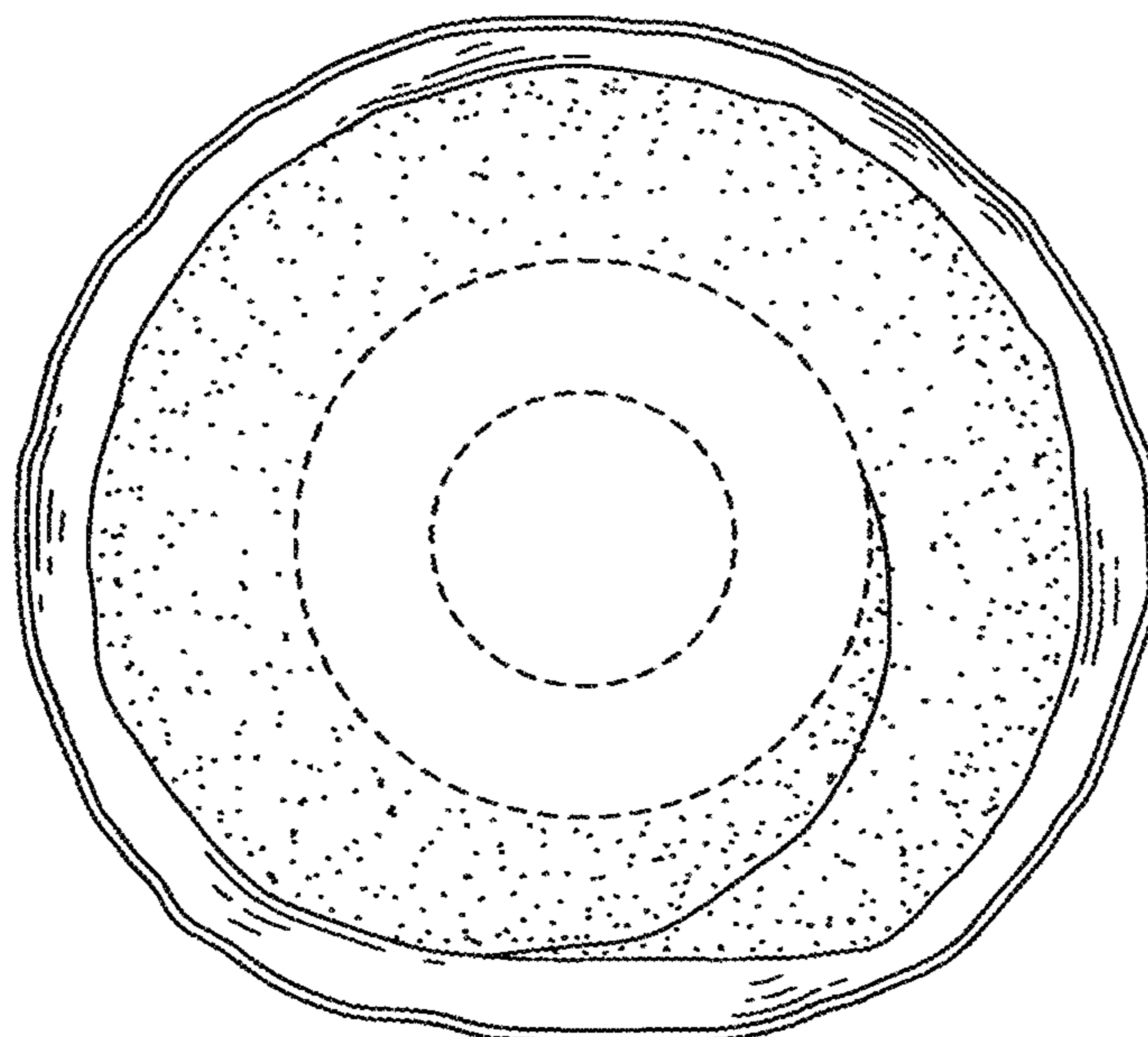


FIG. 2

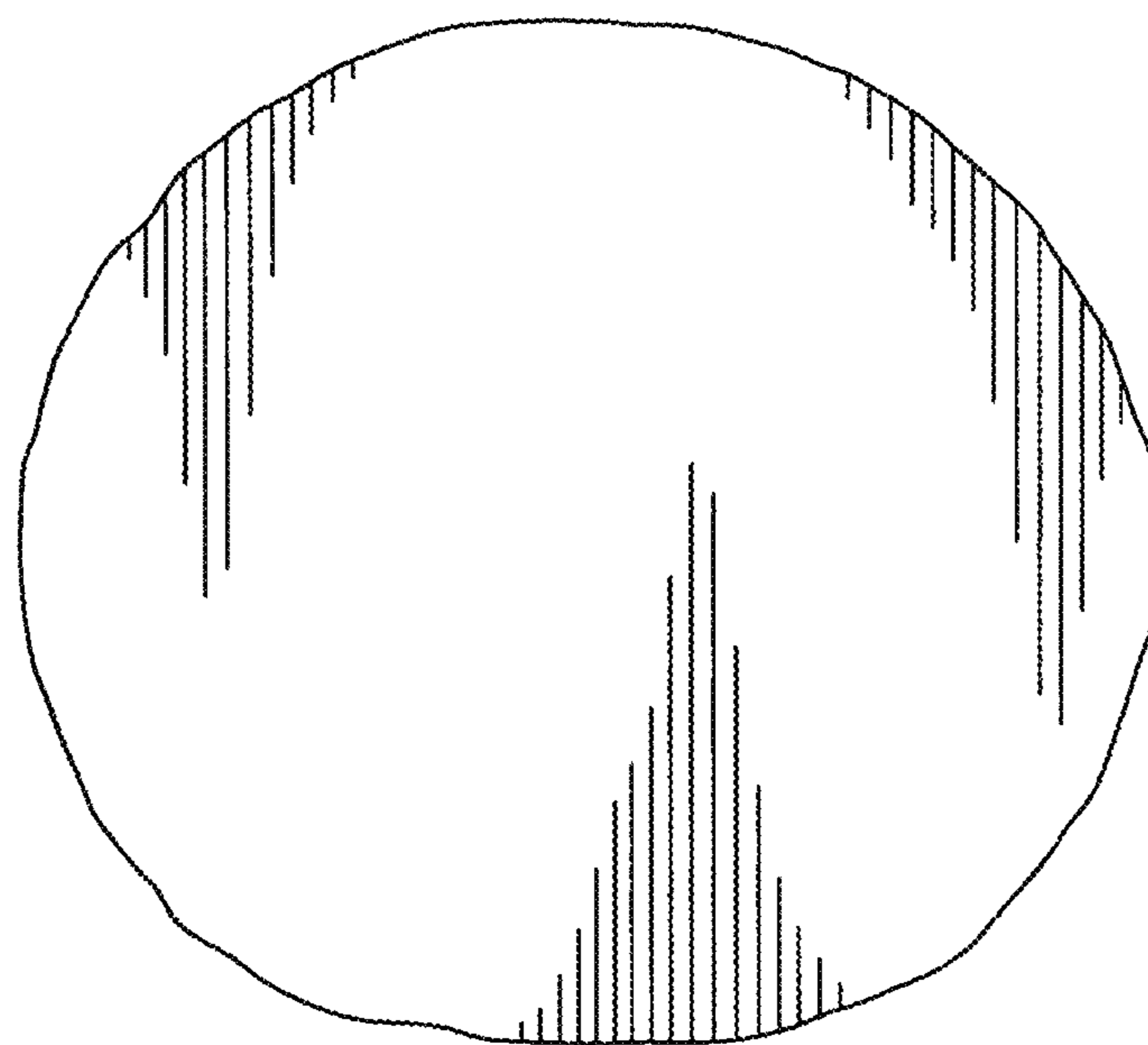


FIG. 3

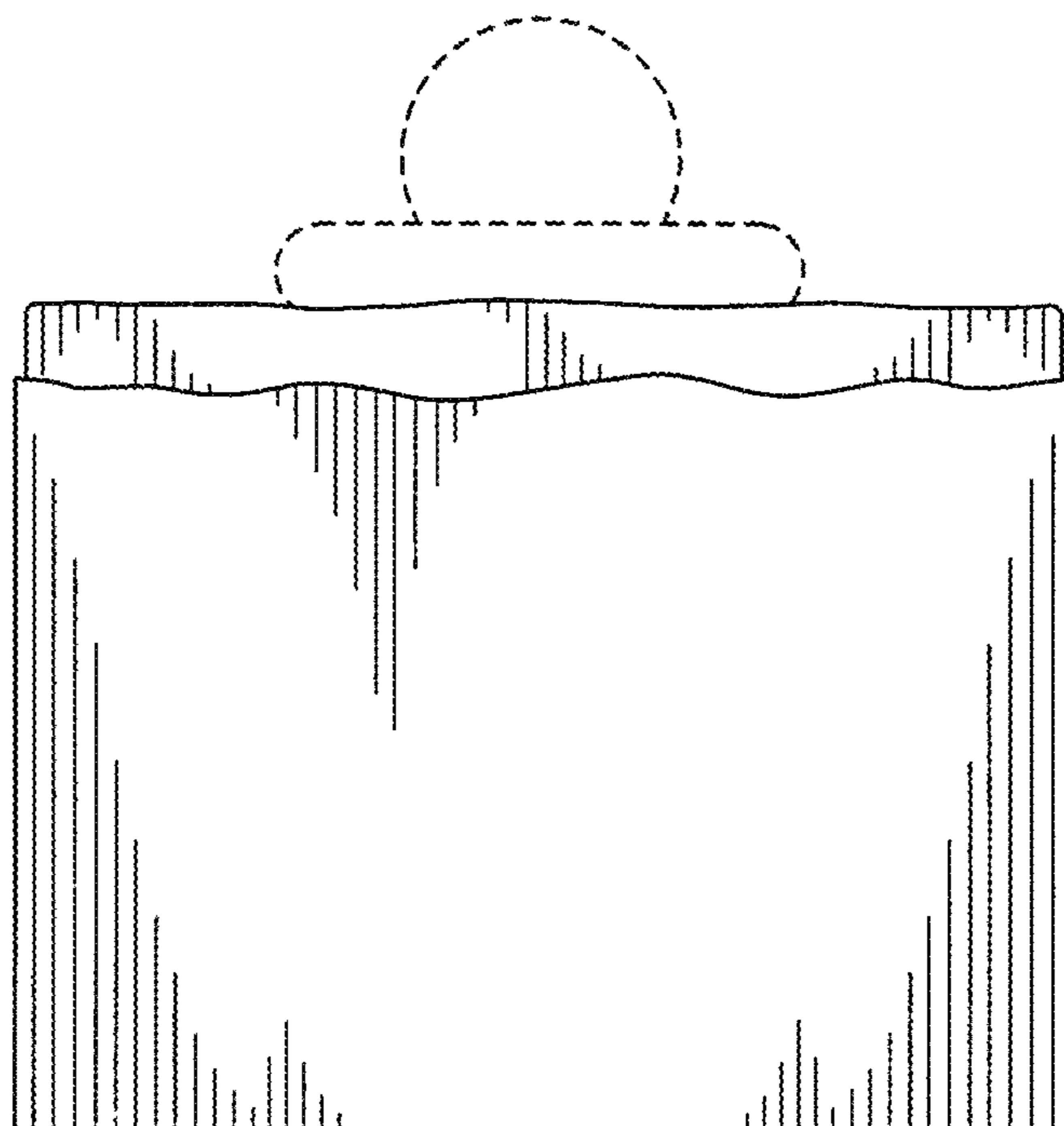


FIG. 4

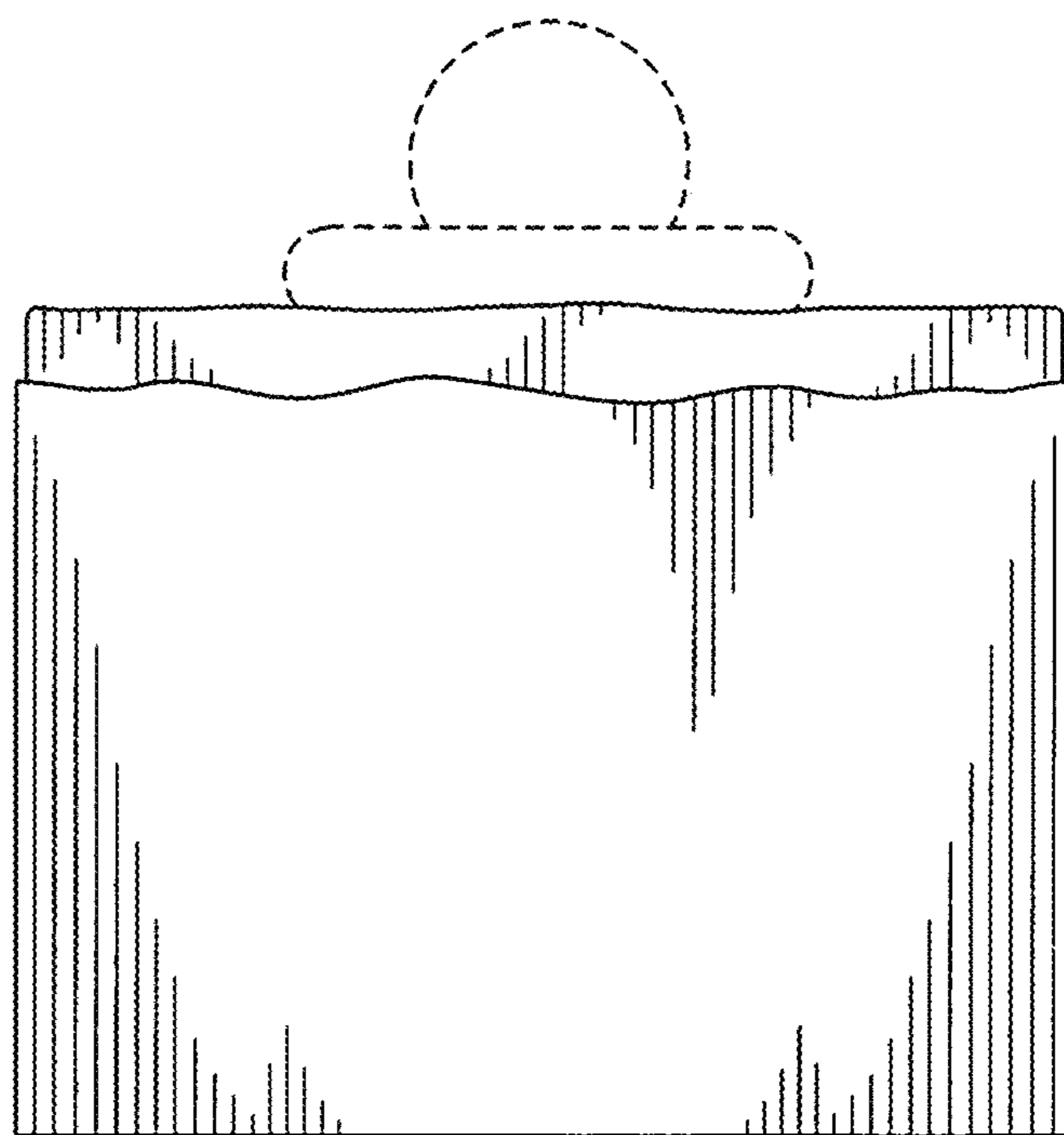


FIG. 5

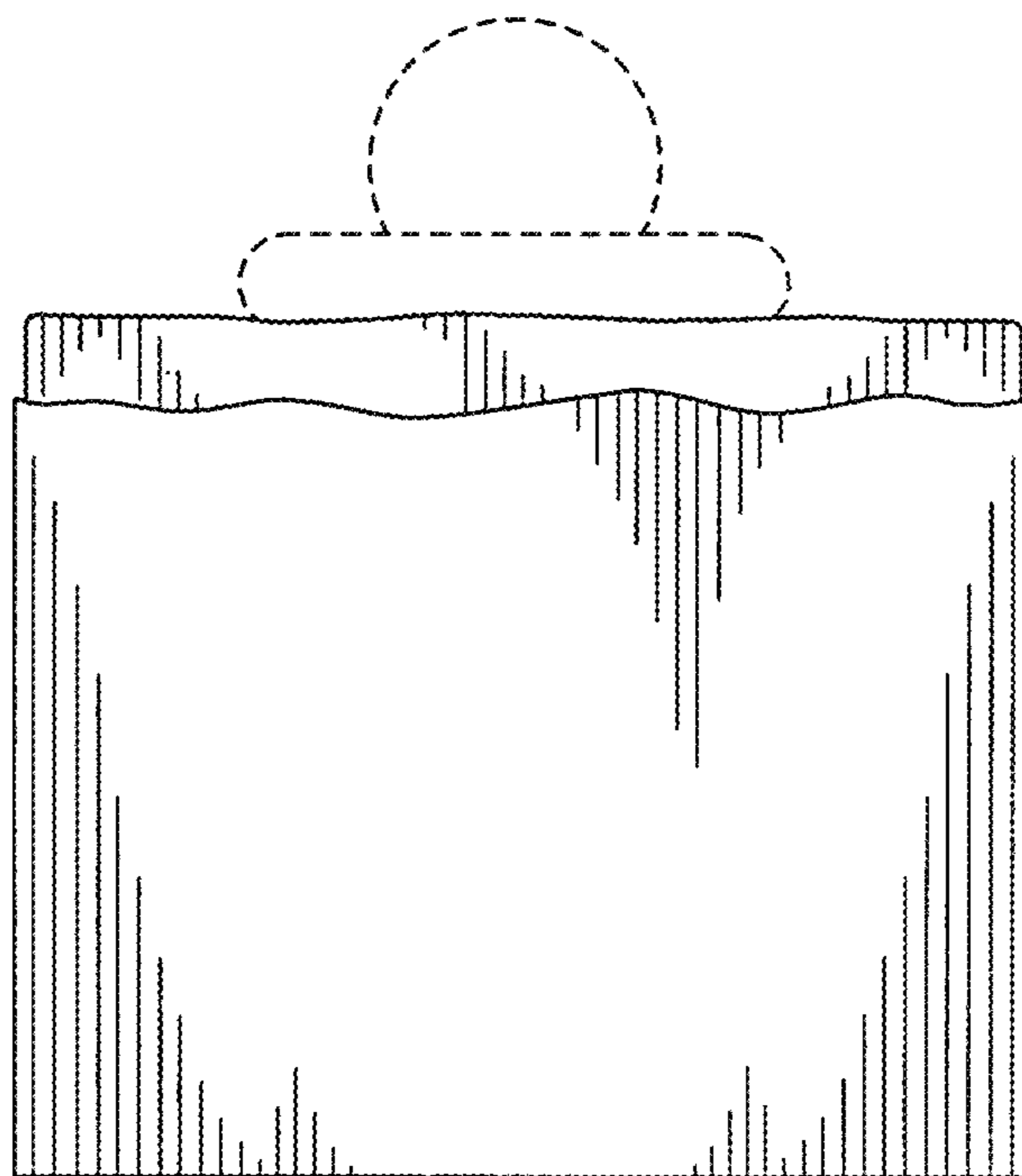


FIG. 6

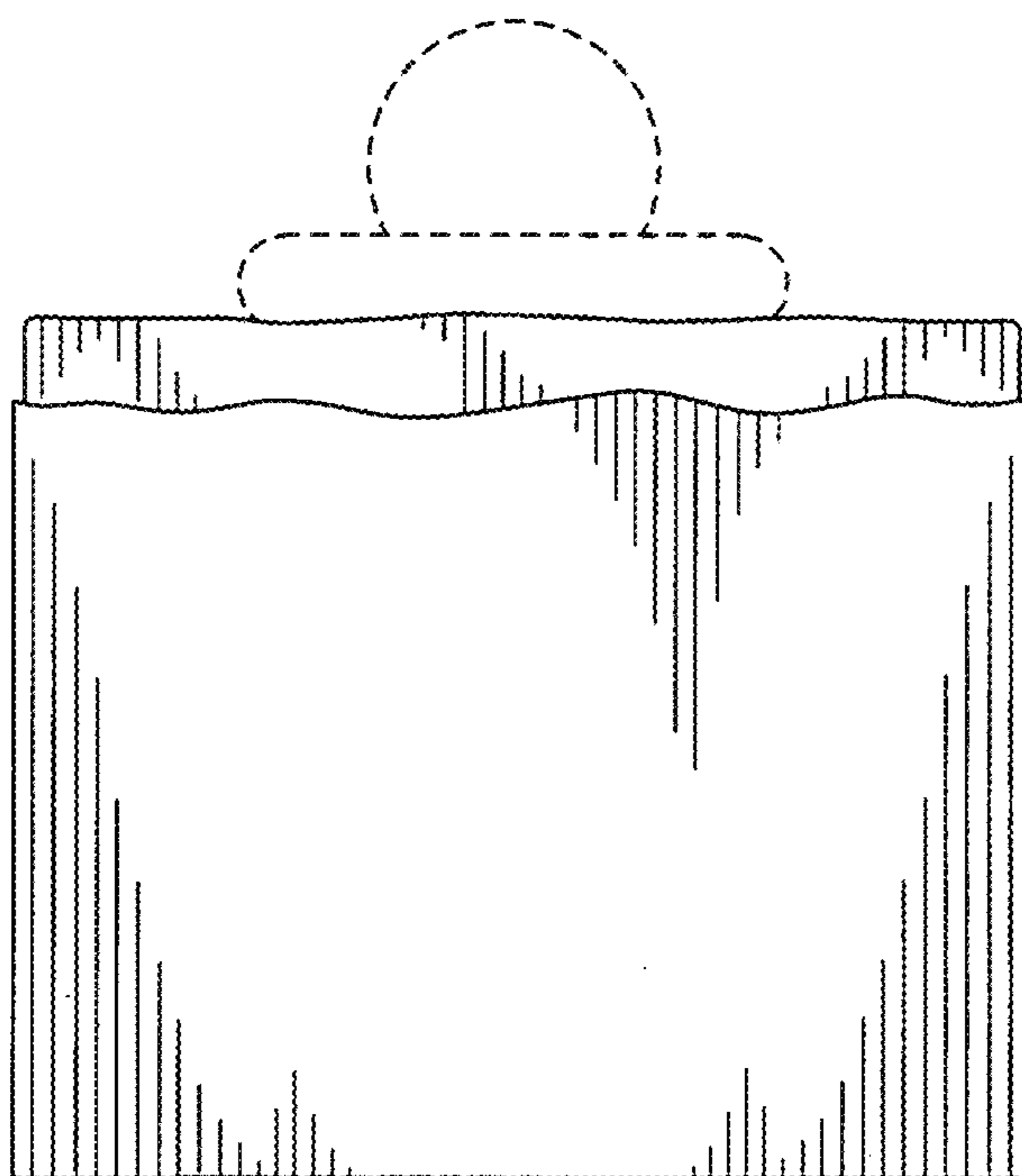


FIG. 7

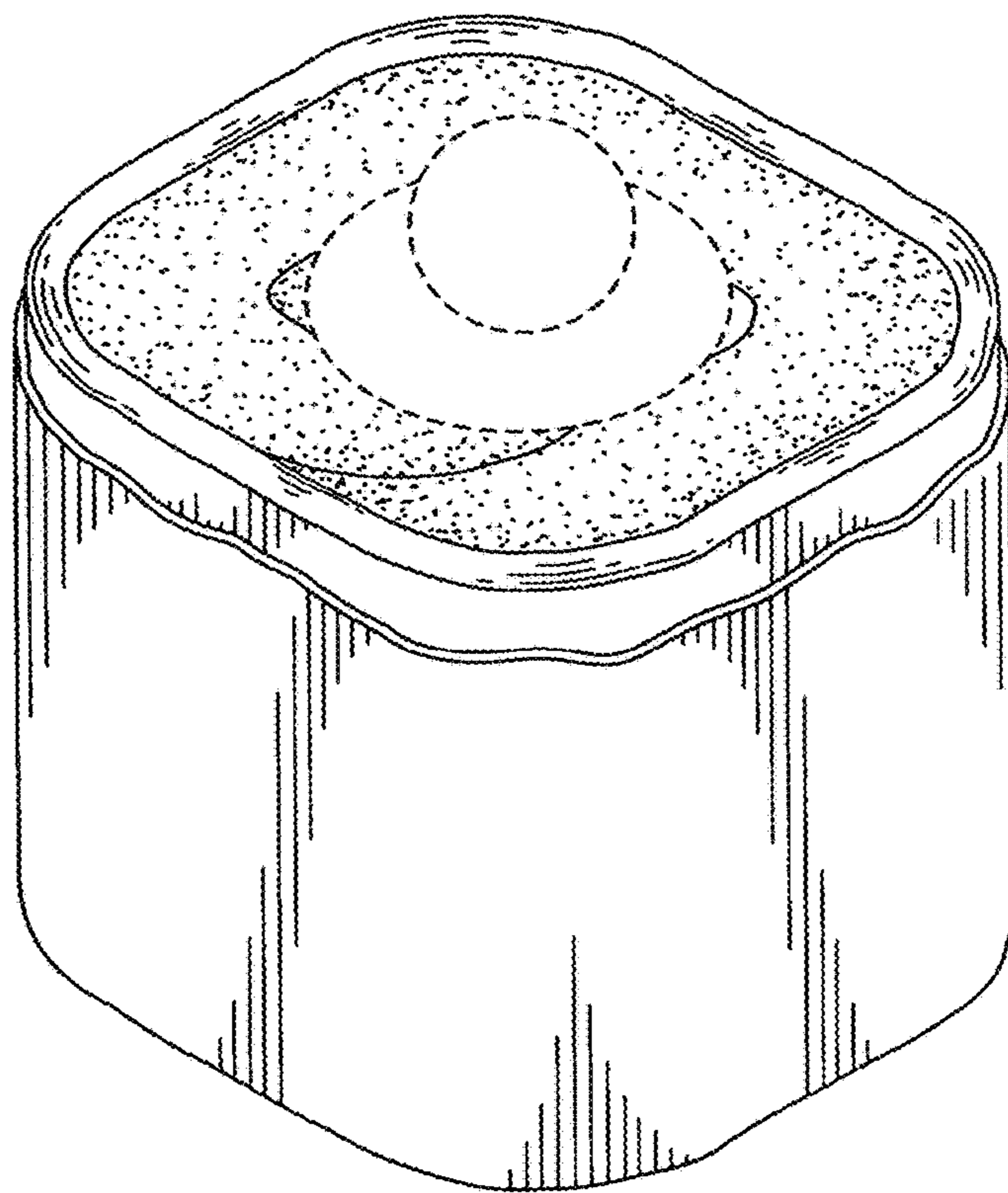


FIG. 8

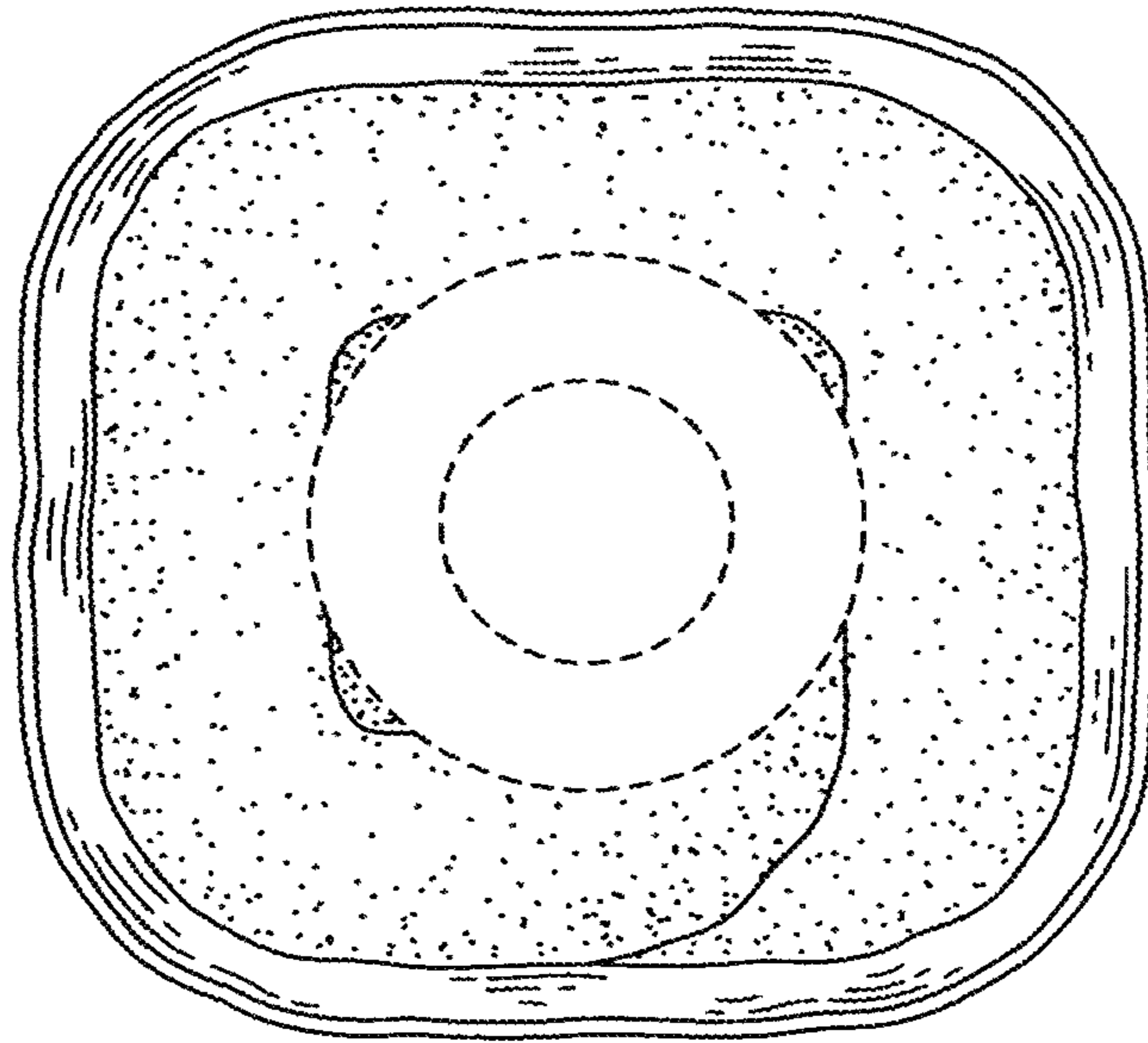


FIG. 9

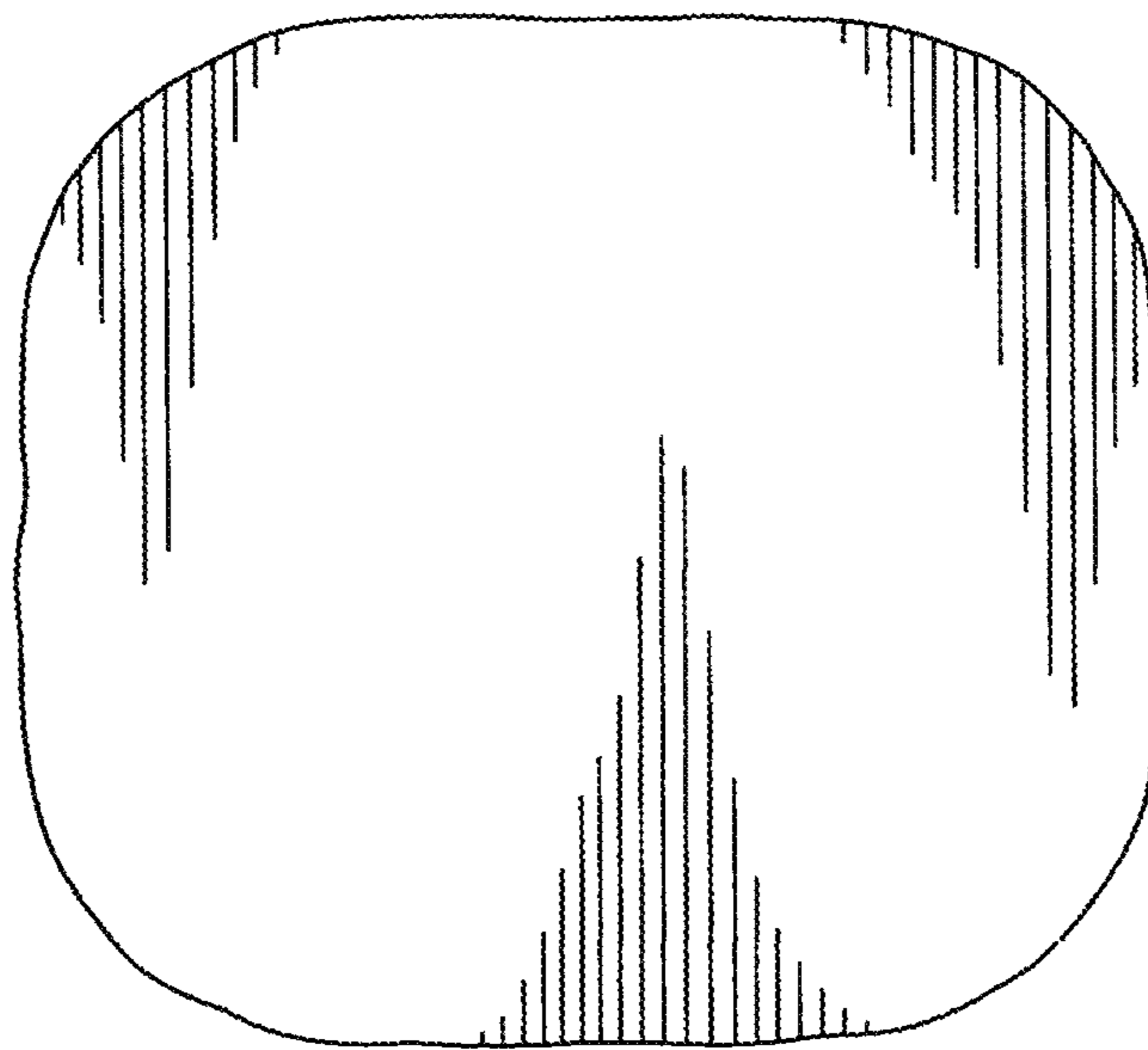


FIG. 10

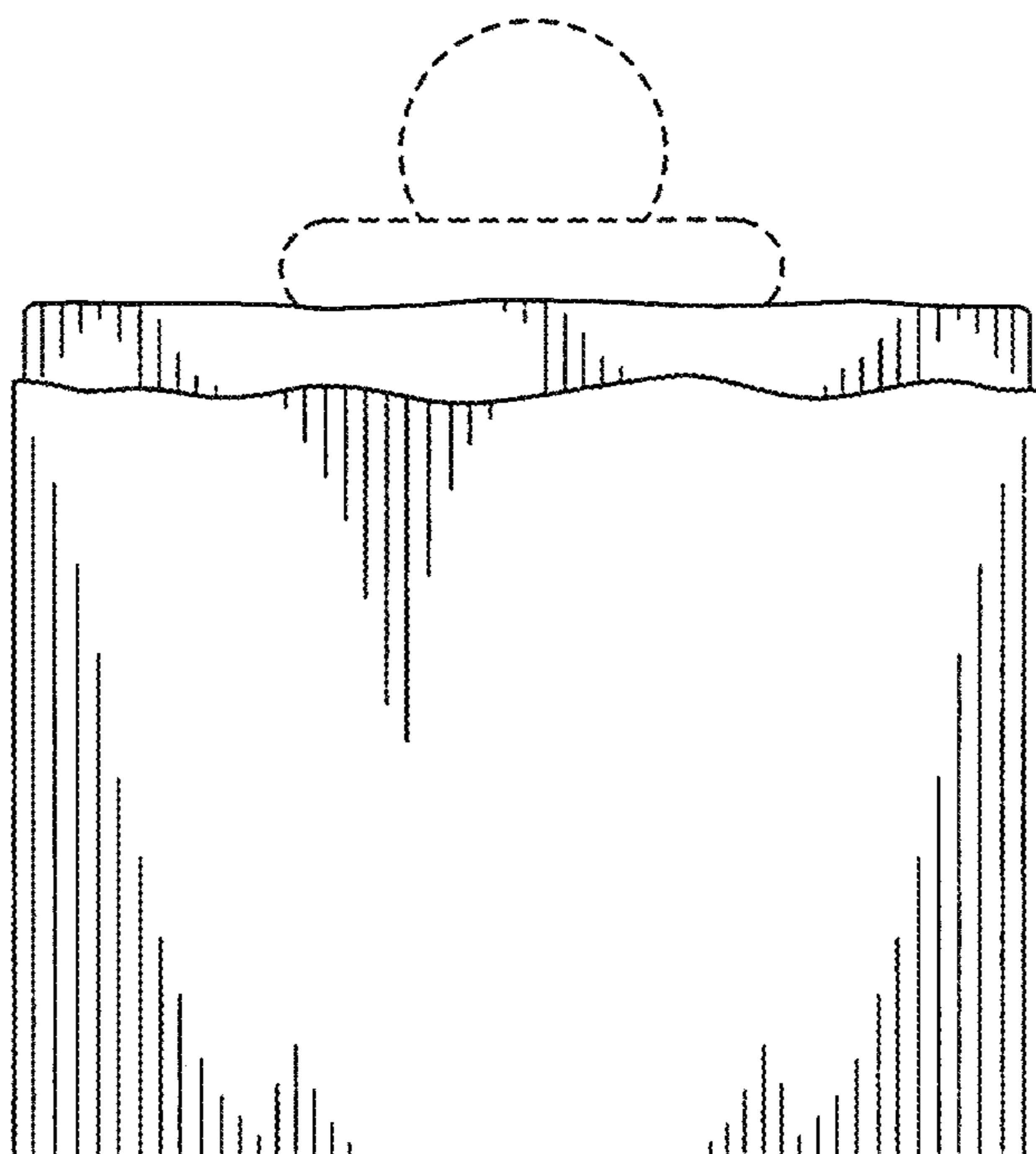


FIG. 11

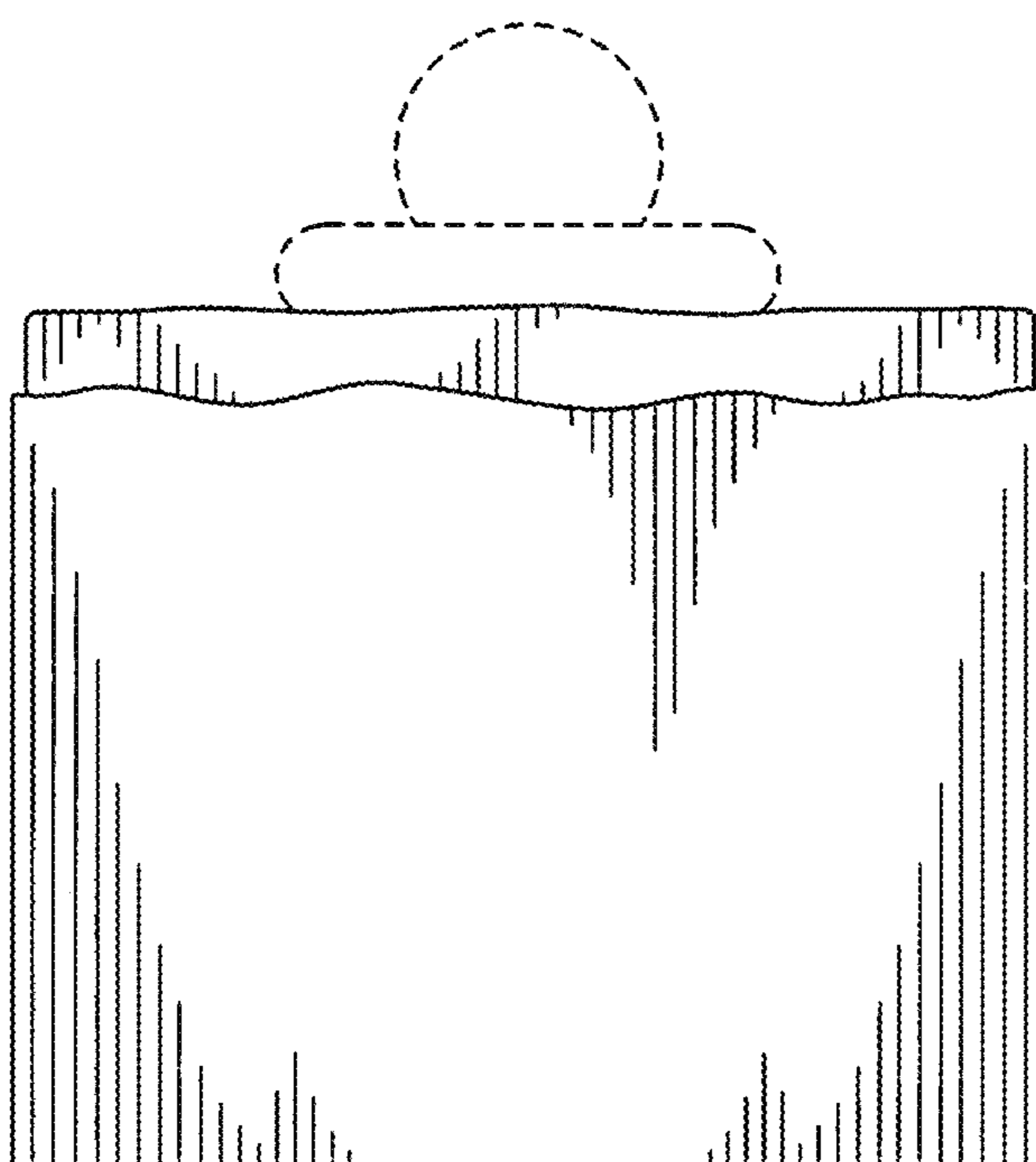


FIG. 12

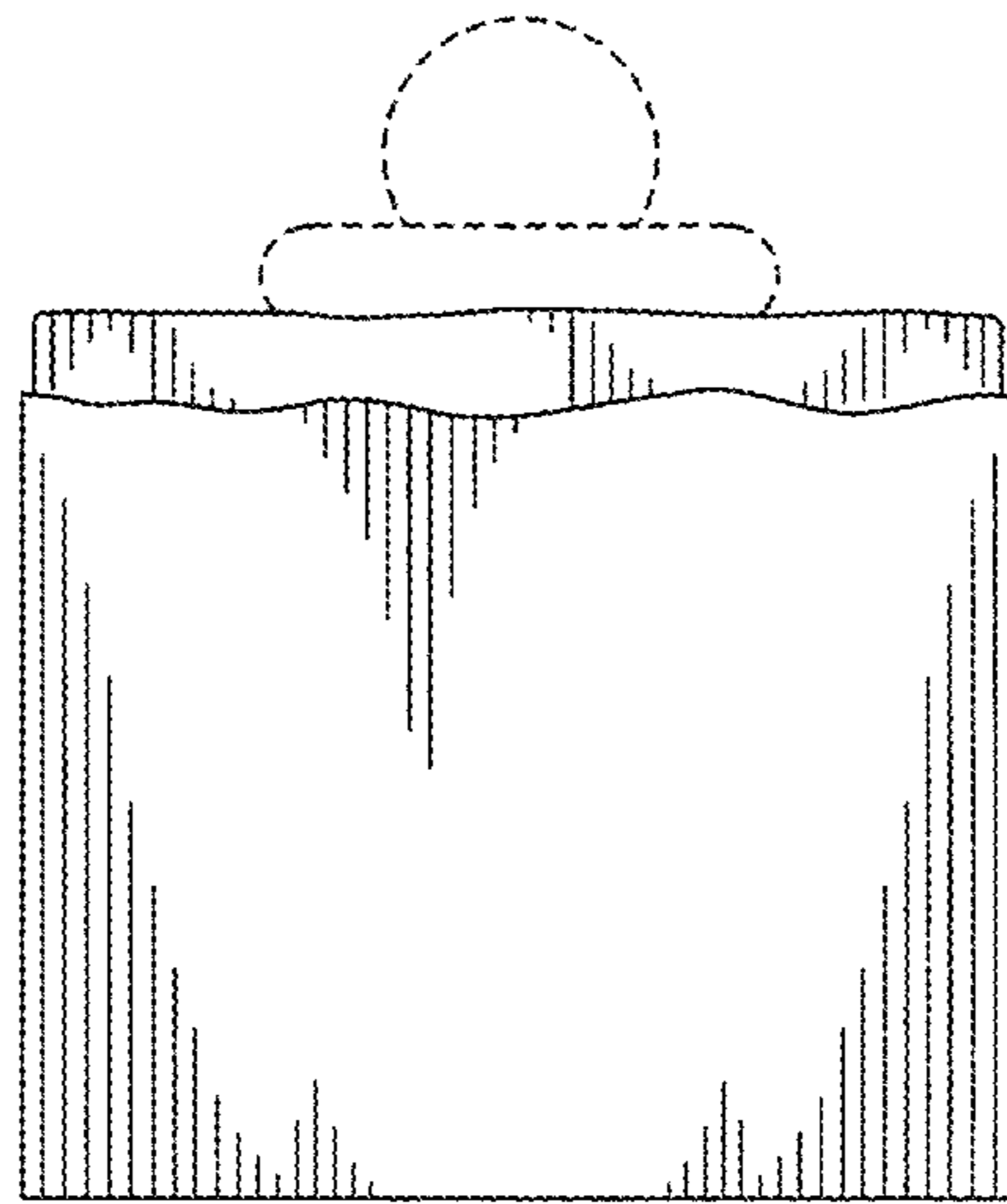


FIG. 13

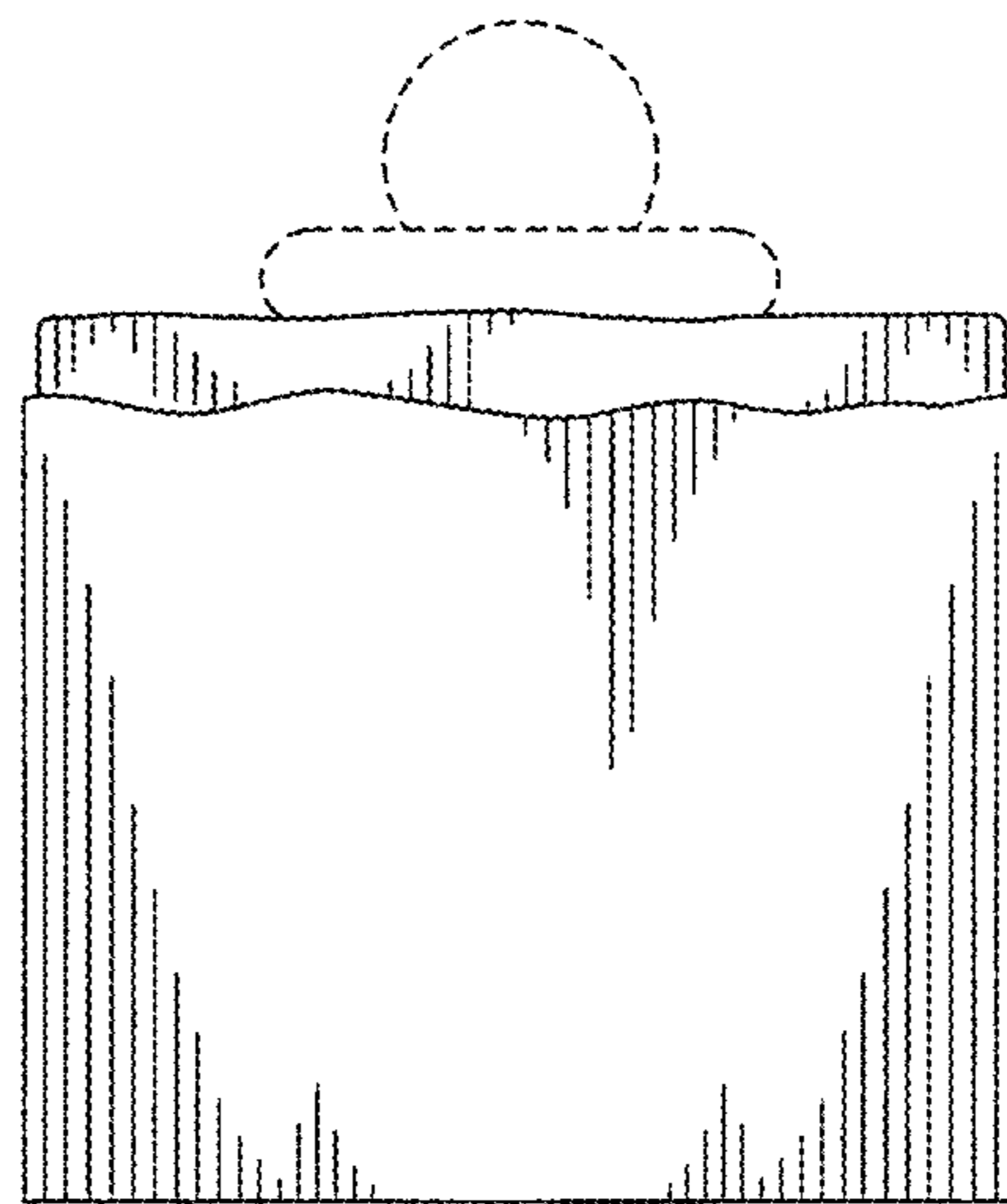


FIG. 14