



US00D789024S

(12) **United States Design Patent**
Baruck

(10) **Patent No.:** **US D789,024 S**

(45) **Date of Patent:** **** Jun. 6, 2017**

(54) **POST COVER**

(71) Applicant: **Glenn Baruck**, Northbrook, IL (US)

(72) Inventor: **Glenn Baruck**, Northbrook, IL (US)

(**) Term: **15 Years**

(21) Appl. No.: **29/573,132**

(22) Filed: **Aug. 3, 2016**

5,119,986 A *	6/1992	Kobilarcik et al.	A47G 29/121
			232/17
D330,793 S *	11/1992	Hampton	D99/32
D337,417 S *	7/1993	McNiven	D99/32
D393,532 S *	4/1998	Black et al.	D99/32
5,869,159 A	2/1999	Padilla	
D413,704 S *	9/1999	Metcheare, III	D99/29
6,363,644 B1	4/2002	Frost	
D487,180 S	2/2004	Lanzi	
D499,225 S	11/2004	Taylor	
D503,844 S	4/2005	Taylor	
D503,845 S	4/2005	Taylor	
7,086,581 B1 *	8/2006	Lackey	A47G 29/1216
			232/1 C

Related U.S. Application Data

(62) Division of application No. 29/526,236, filed on May 7, 2015, now Pat. No. Des. 767,240.

(51) **LOC (10) Cl.** **99-00**

(52) **U.S. Cl.**
USPC **D99/43**

(58) **Field of Classification Search**
USPC D99/28, 29, 30, 31, 32, 43, 99; D20/10, D20/11; 116/173; 232/17, 19, 20, 27, 232/38, 39
CPC A47G 29/12; A47G 29/1203; A47G 29/1209; A47G 29/1216; A47G 29/16; A47G 29/00
See application file for complete search history.

(56) **References Cited**

U.S. PATENT DOCUMENTS

1,467,607 A *	9/1923	Cary Cook	A47G 29/1216
			248/128
1,545,006 A *	7/1925	Miller	A47G 29/1216
			248/128
1,612,475 A *	12/1926	Summers	A47G 29/1216
			248/128
3,243,104 A	3/1966	Fillion	
4,395,012 A *	7/1983	Rance	E04H 12/2215
			232/38
D273,528 S	4/1984	Thomas	
D322,877 S	12/1991	Roach	

(Continued)

Primary Examiner — Elizabeth J Oswecki
(74) *Attorney, Agent, or Firm* — Stephen T. Scherrer; Monique A. Morneault; Scherrer Patent & Trademark Law, P.C.

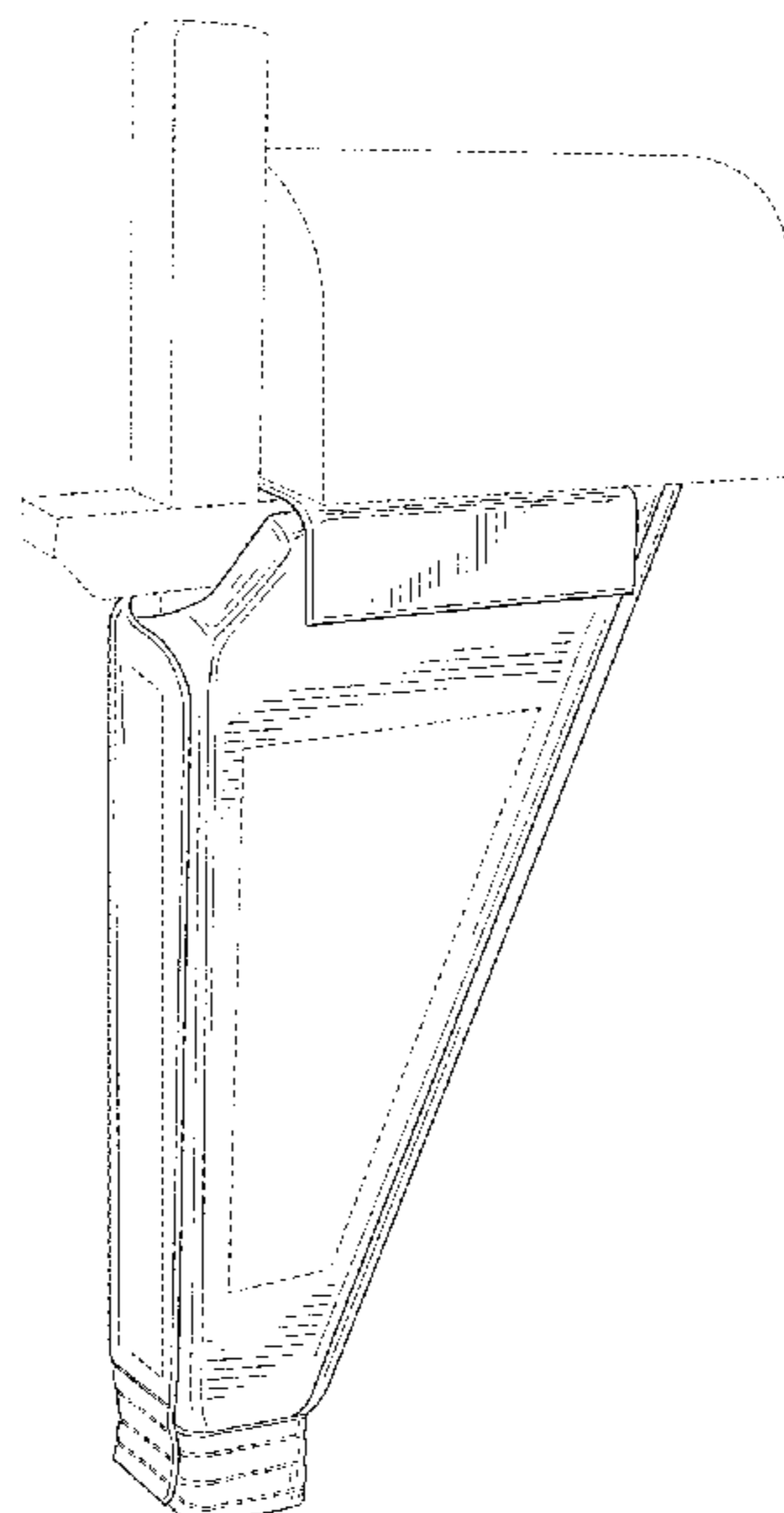
(57) **CLAIM**

The ornamental design for a post cover, as shown and described.

DESCRIPTION

FIG. 1 is a perspective view of a post cover showing my new design;
FIG. 2 is a second perspective view thereof, with the mailbox removed for ease of illustration;
FIG. 3 is a left side view thereof;
FIG. 4 is a right side view thereof;
FIG. 5 is a front view thereof;
FIG. 6 is a rear view thereof;
FIG. 7 is a top plan view thereof;
FIG. 8 is another top plan view thereof, with the mailbox removed for ease of illustration; and,
FIG. 9 is a bottom plan view thereof.
The broken lines showing are included for the purpose of illustrating portions of the article that form no part of the claimed design.

1 Claim, 6 Drawing Sheets



(56)

References Cited

U.S. PATENT DOCUMENTS

D556,974 S	12/2007	Speir	
D556,975 S	12/2007	Speir	
D674,575 S *	1/2013	Jahn	D99/32
8,708,219 B2 *	4/2014	Patterson et al. ..	A47G 29/1216 232/17
8,769,851 B2	7/2014	Picard	
D739,114 S *	9/2015	Buttecali	D99/32
D739,640 S *	9/2015	Buttecali	D99/32
D765,940 S *	9/2016	Buttecali	D99/32
D767,240 S *	9/2016	Baruck	D99/43
2006/0186188 A1 *	8/2006	Belanger	A47G 29/1209 232/38

* cited by examiner

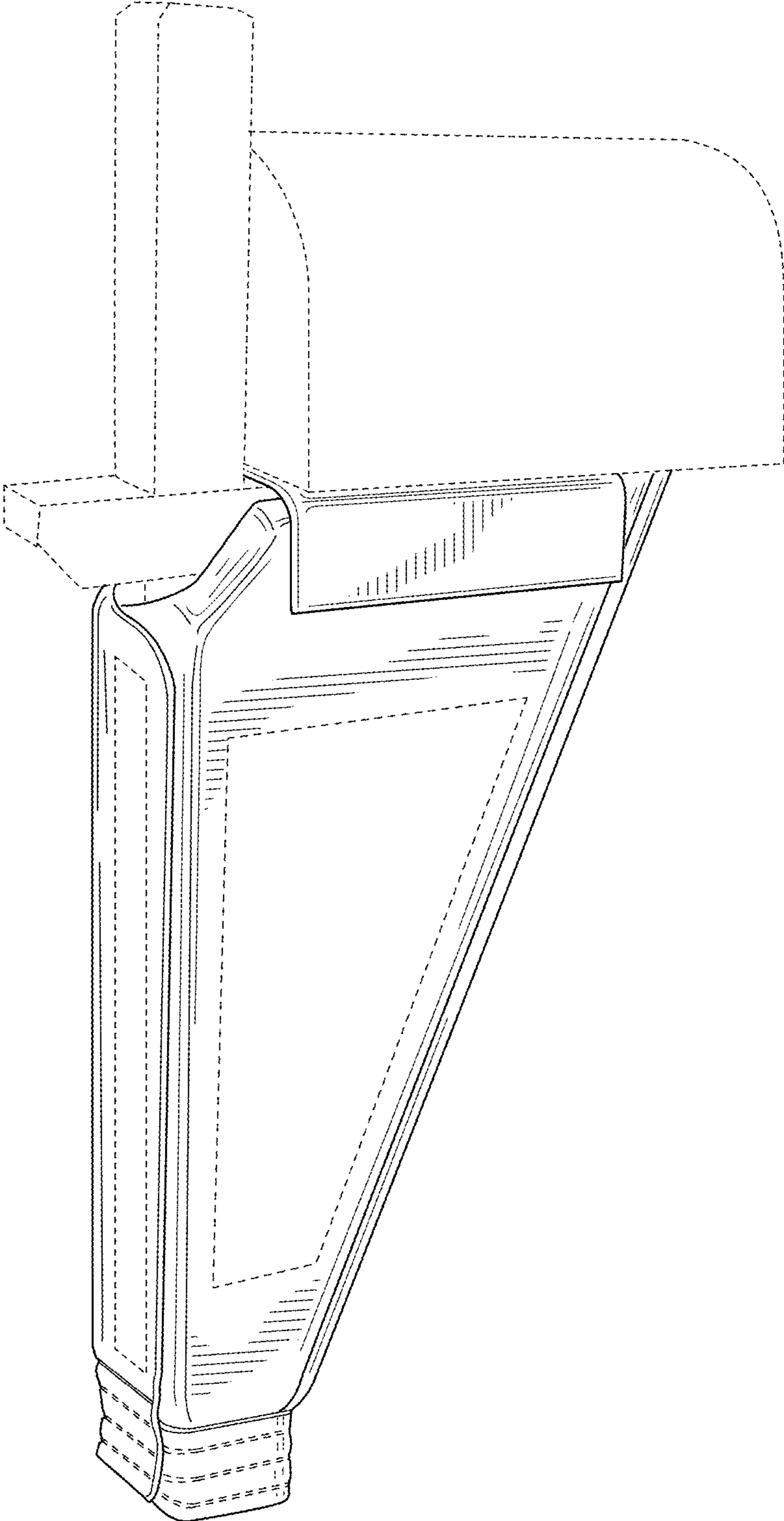


FIG. 1

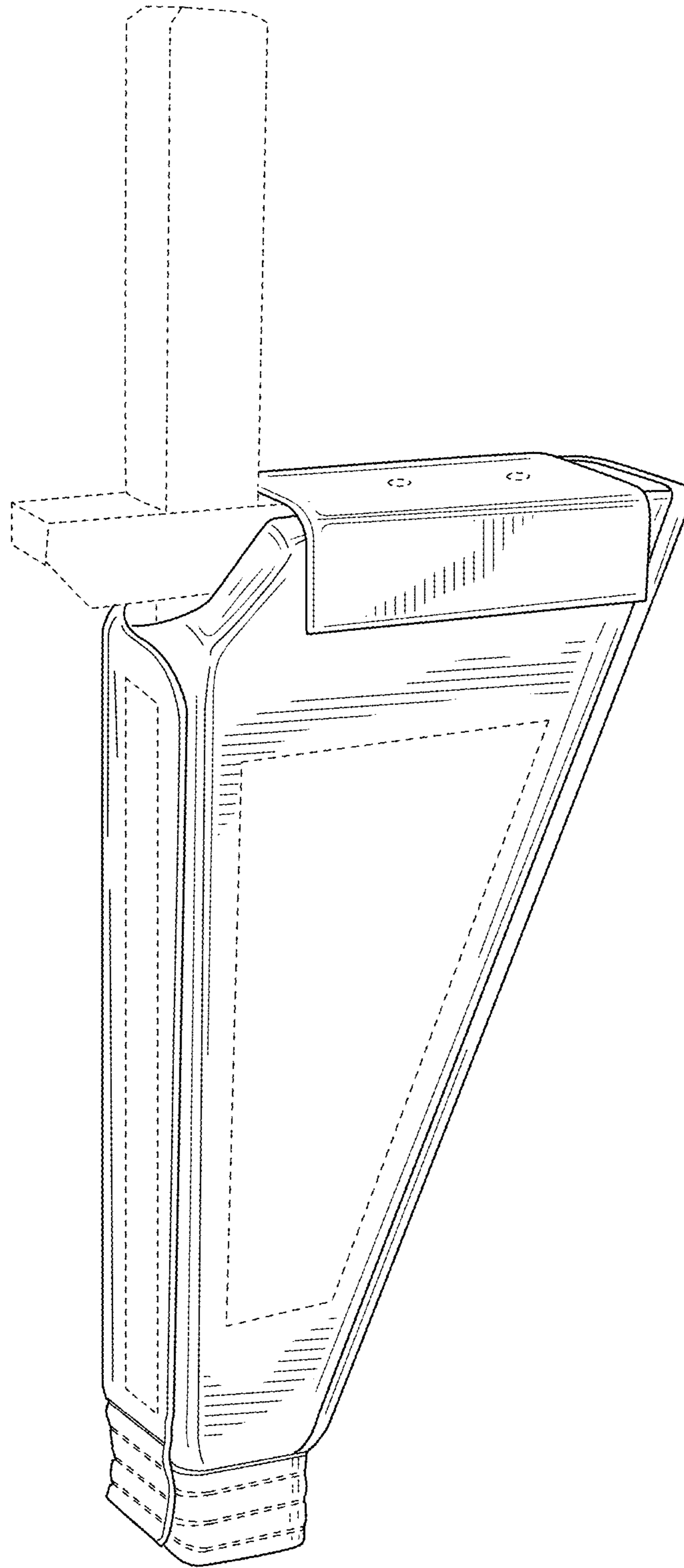


FIG. 2

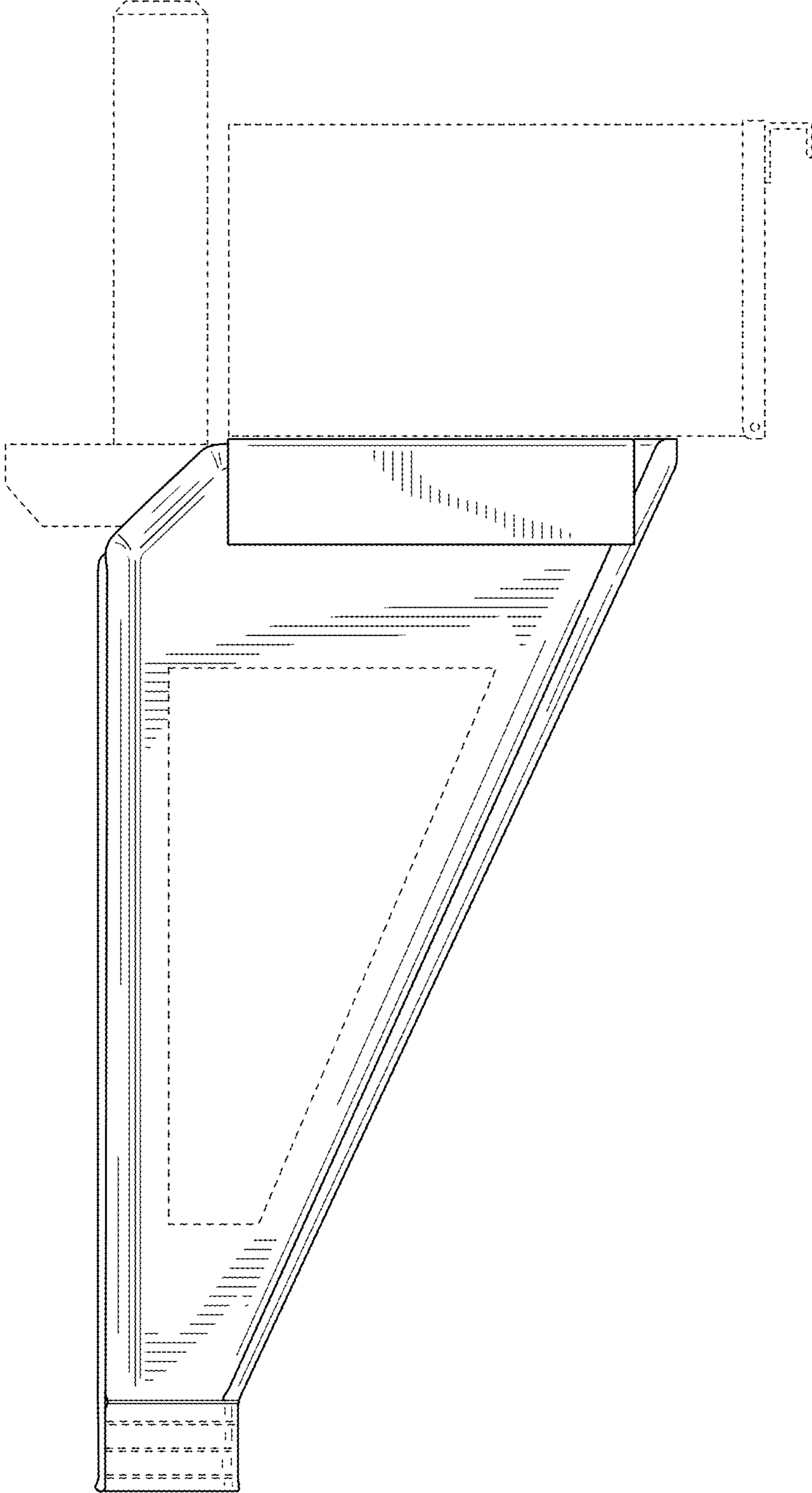


FIG. 3

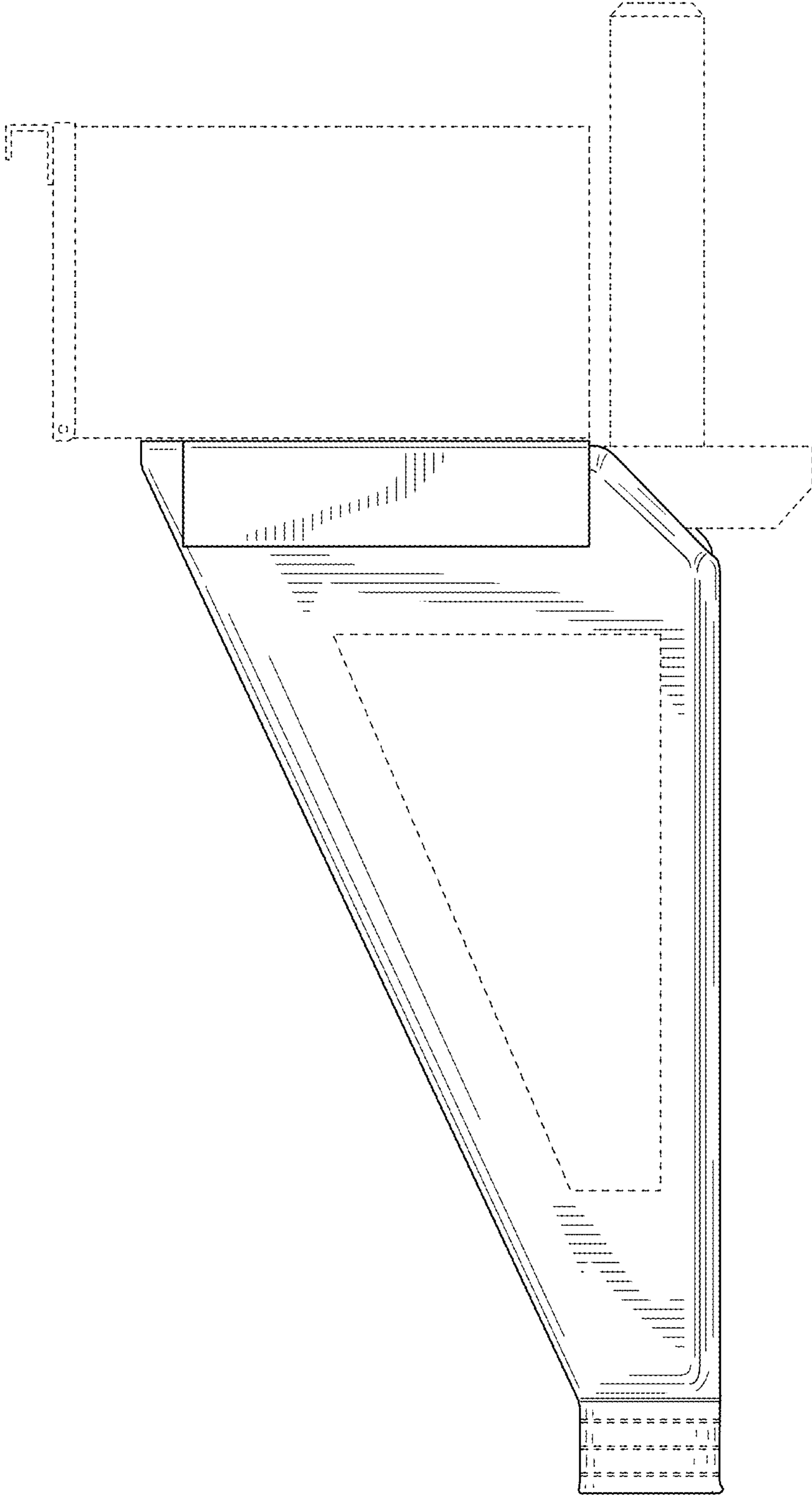


FIG. 4

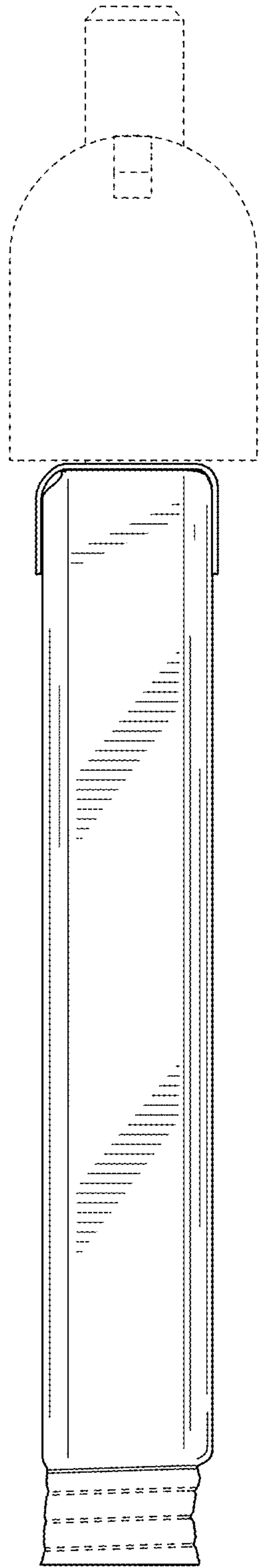


FIG. 5

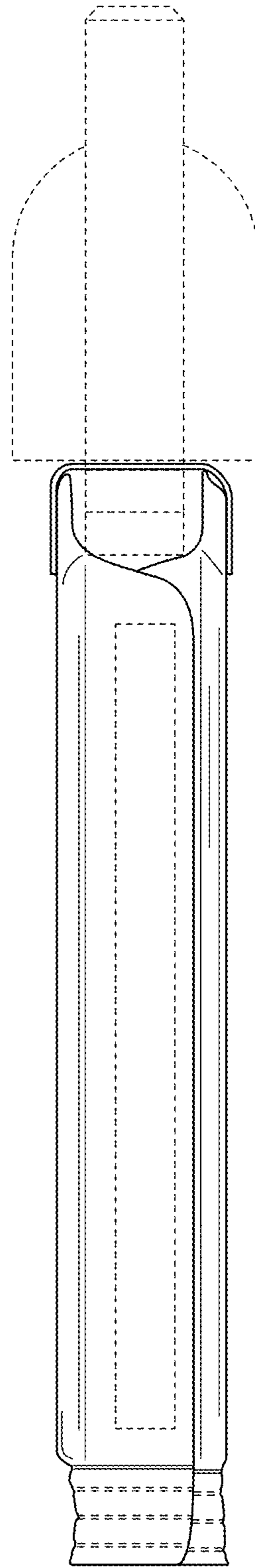


FIG. 6

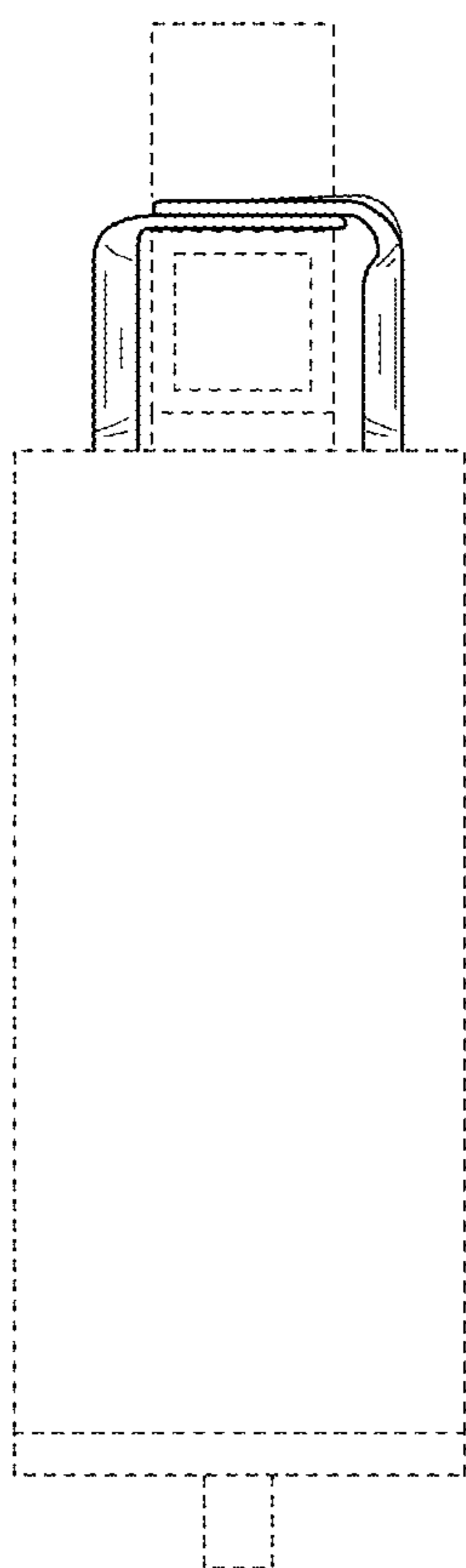


FIG. 7

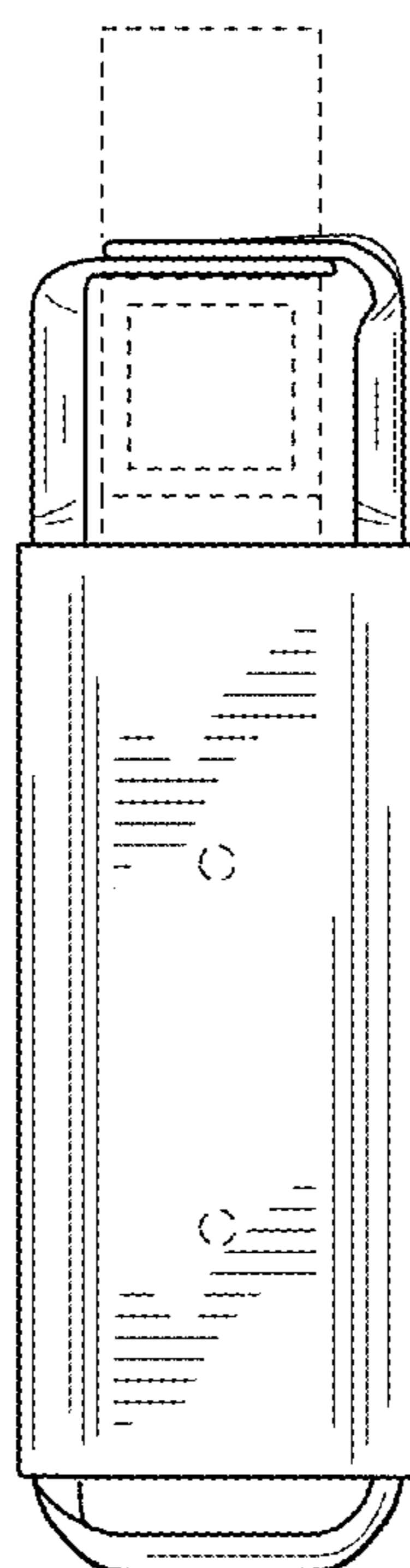


FIG. 8

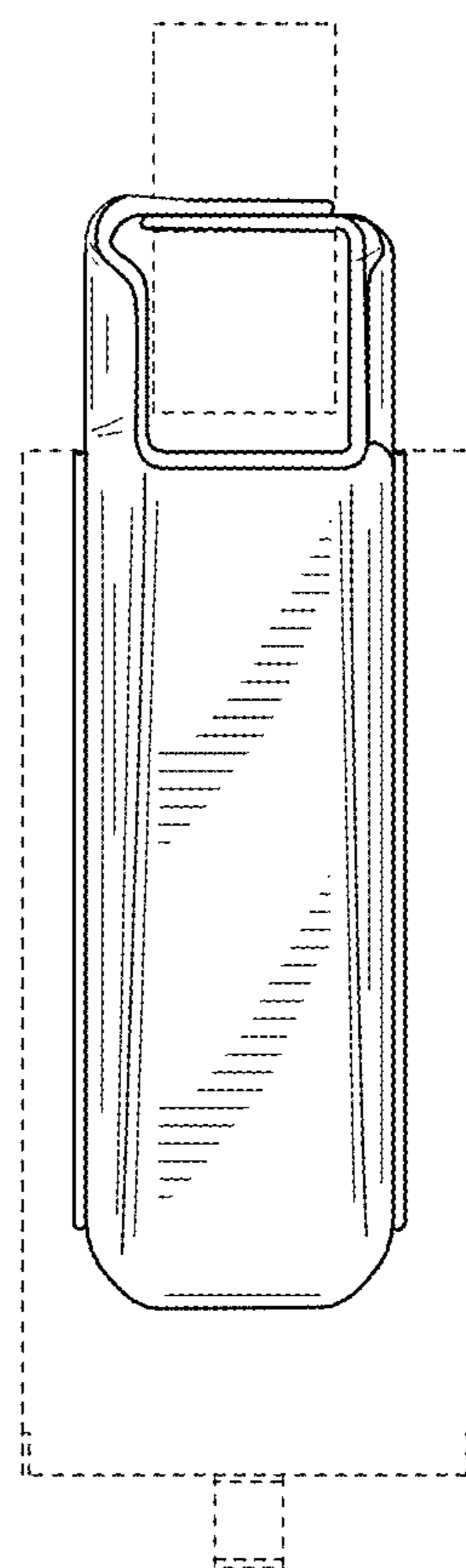


FIG. 9