



US00D789021S

(12) **United States Design Patent** (10) **Patent No.:** **US D789,021 S**  
**Sato** (45) **Date of Patent:** **\*\* Jun. 6, 2017**

(54) **AUTOMATIC TELLER MACHINE**

G07F 5/00; G07F 1/00; E05G 7/001;  
E05G 1/006; A63H 33/00; A63H 33/005

(71) Applicant: **NEC Corporation**, Minato-ku, Tokyo  
(JP)

See application file for complete search history.

(72) Inventor: **Toshiaki Sato**, Minato-ku (JP)

(56) **References Cited**

(73) Assignee: **NEC CORPORATION**, Tokyo (JP)

U.S. PATENT DOCUMENTS

(\*\*) Term: **15 Years**

D388,229	S	*	12/1997	Couch	.....	D18/4.6
D405,833	S	*	2/1999	Mussett	.....	D20/1
6,029,888	A	*	2/2000	Harvey	.....	G06K 7/0034 235/379
D437,468	S	*	2/2001	Fukutake	.....	D99/28
D449,076	S	*	10/2001	Dumouchel	.....	D20/10
D449,420	S	*	10/2001	Sommerville	.....	D99/28
D456,587	S	*	4/2002	Kit	.....	D99/28
D462,776	S	*	9/2002	Bain	.....	D14/307
D507,813	S	*	7/2005	Gillard	.....	D20/10
D530,880	S	*	10/2006	Magee	.....	D99/28
D586,147	S	*	2/2009	Tsay	.....	D6/668.1
D592,825	S	*	5/2009	Kang	.....	D99/28

(21) Appl. No.: **29/549,039**

(22) Filed: **Dec. 18, 2015**

(30) **Foreign Application Priority Data**

Jun. 19, 2015 (JP) ..... 2015-013681

(Continued)

(51) **LOC (10) Cl.** ..... **20-01**

*Primary Examiner* — Elizabeth J Oswecki

(52) **U.S. Cl.**

(74) *Attorney, Agent, or Firm* — Keating & Bennett, LLP

USPC ..... **D99/28**

(58) **Field of Classification Search**

(57) **CLAIM**

USPC ..... D99/28, 34, 35, 36, 43, 99;  
D14/300–302, 305, 307, 900–902;  
D18/3.1–3.3, 4.1–4.6, 12.1–12.3;  
D21/324, 325, 329, 369, 370; 101/66;  
109/1 R, 1 V, 2, 23, 24.1, 25, 58, 58.5,  
109/66; 446/8–13; 705/16, 17, 18, 42,  
705/43, 44, 45; 235/51, 379, 380, 381,  
235/382, 382.5, 386; 206/0.8, 0.81,  
206/0.815, 0.82, 0.84

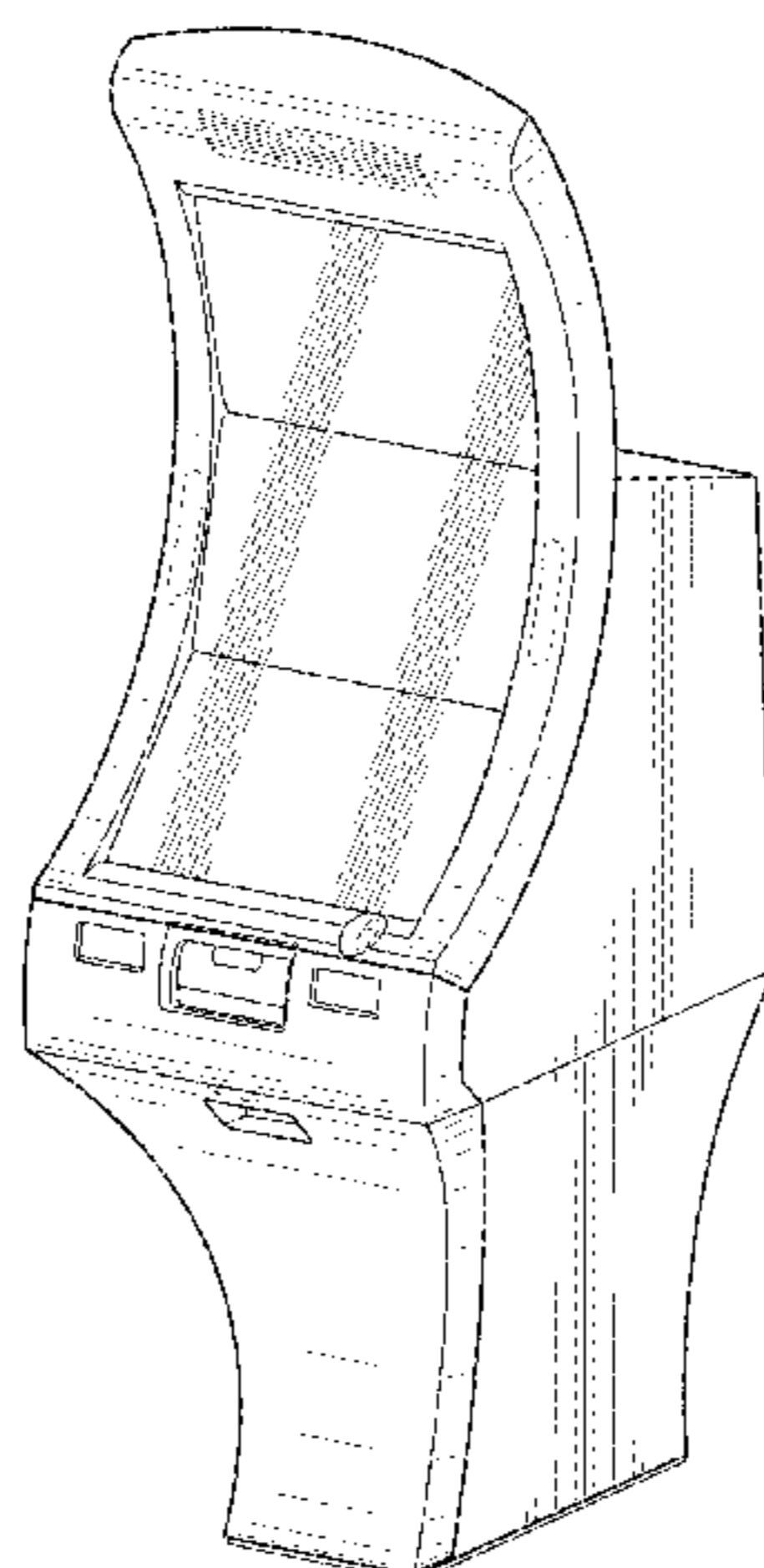
The ornamental design for an automatic teller machine, as shown and described.

CPC .. G06Q 20/10; G06Q 20/108; G06Q 20/1085;  
G06Q 20/18; G07D 1/00; G07D 1/02;  
G07D 1/04; G07D 1/06; G07D 11/00;  
G07D 9/002; G07D 9/04; G07F 19/20;  
G07F 19/201; G07F 19/202; G07F  
19/203; G07F 19/204; G07F 19/105;  
G07F 19/21; G07F 19/00; G07F 7/04;

**DESCRIPTION**

FIG. 1 is a top, front, and right side perspective view of an automatic teller machine showing my new design;  
FIG. 2 is a front view thereof;  
FIG. 3 is a back view thereof;  
FIG. 4 is a right side view thereof;  
FIG. 5 is a left side view thereof;  
FIG. 6 is a top view thereof;  
FIG. 7 is a bottom view thereof; and,  
FIG. 8 is another right side view thereof with the bottom touch display panel in an upright forward position, in which the dotted lines show the bottom touch display panel in its original position.

(Continued)



The broken lines shown in the drawings represent portions of the automatic teller machine that form no part of the claimed design.

**1 Claim, 5 Drawing Sheets**

(56) **References Cited**

U.S. PATENT DOCUMENTS

D596,373 S *	7/2009	Kang	.....	D99/28
D625,305 S *	10/2010	Bleck	.....	D14/307
D626,544 S *	11/2010	Bleck	.....	D14/307
D626,545 S *	11/2010	Bleck	.....	D14/307
D629,585 S *	12/2010	Bleck	.....	D14/307
7,959,072 B1 *	6/2011	Jenkins	.....	G06Q 20/1085 235/375
D682,504 S *	5/2013	Lee	.....	D14/900
D738,366 S *	9/2015	Kraft	.....	D14/307
D743,956 S *	11/2015	Kraft	.....	D14/307
D769,570 S *	10/2016	Kraft	.....	D99/28

\* cited by examiner

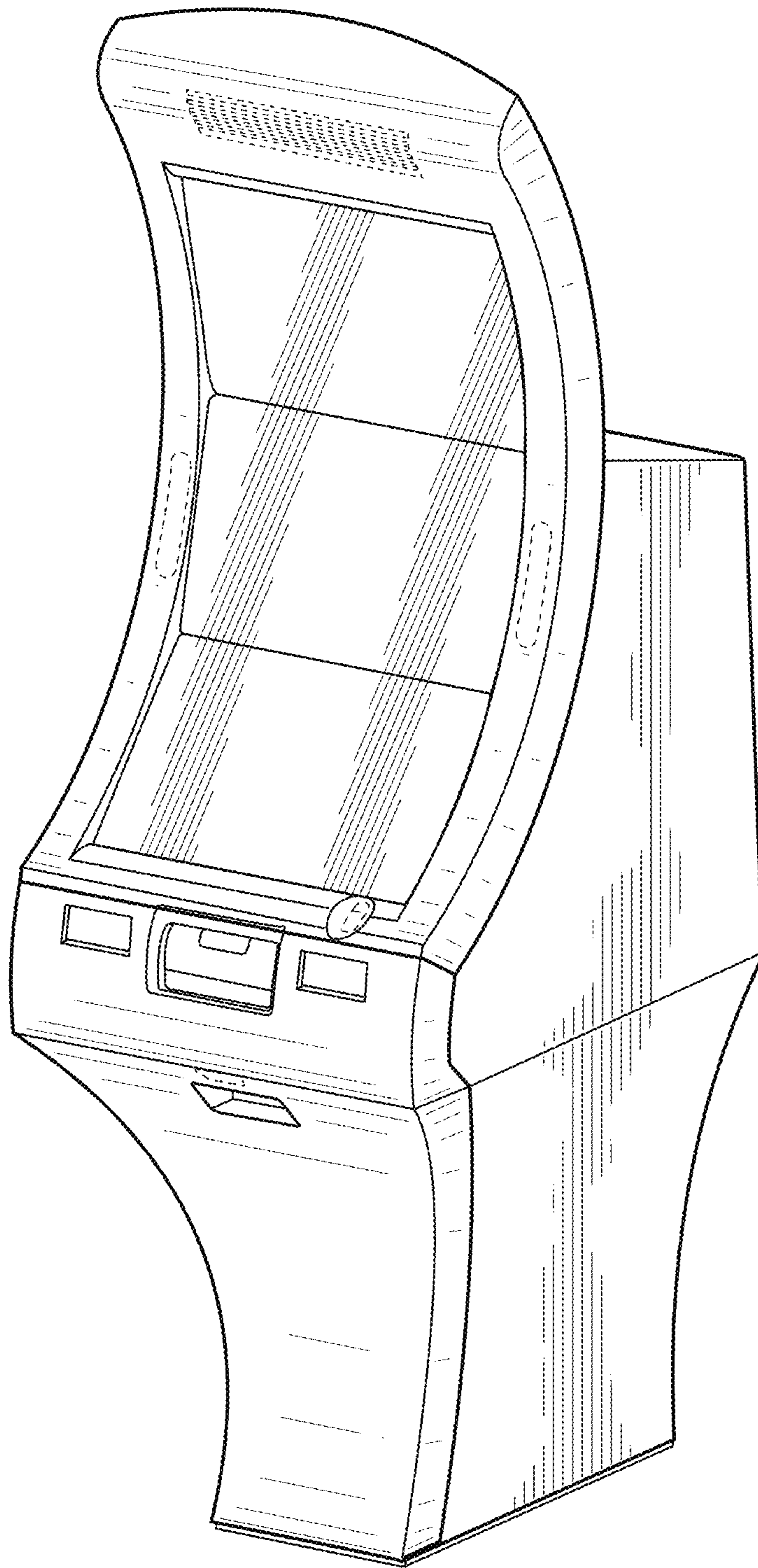


FIG. 1

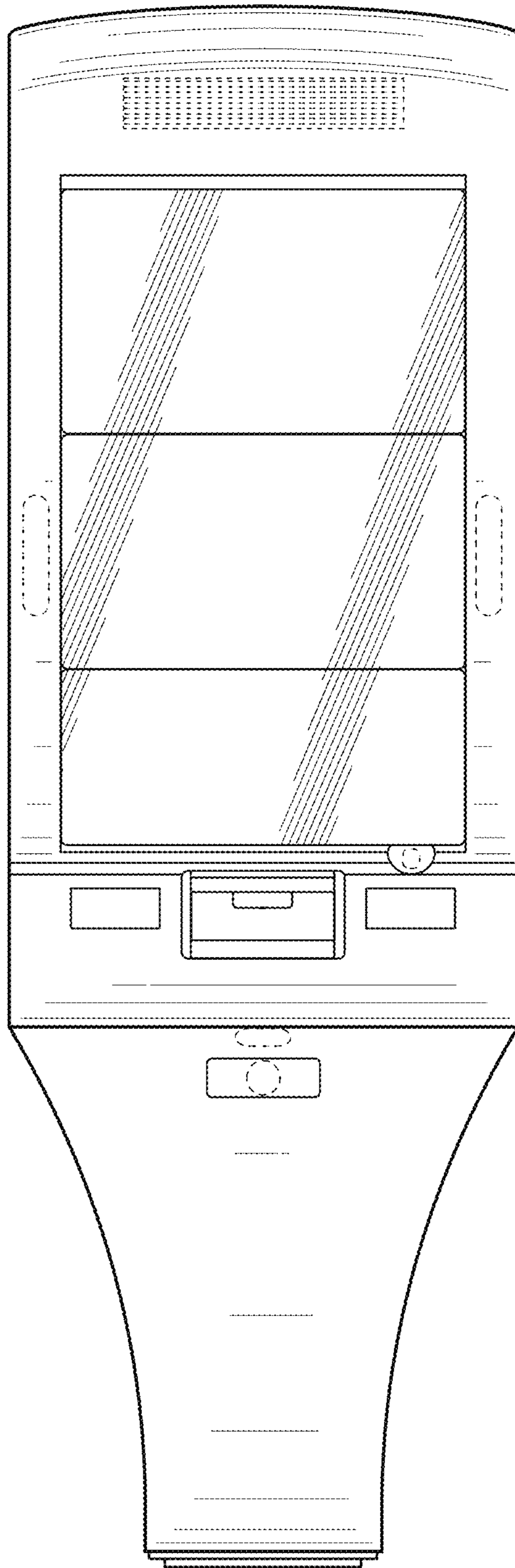


FIG. 2

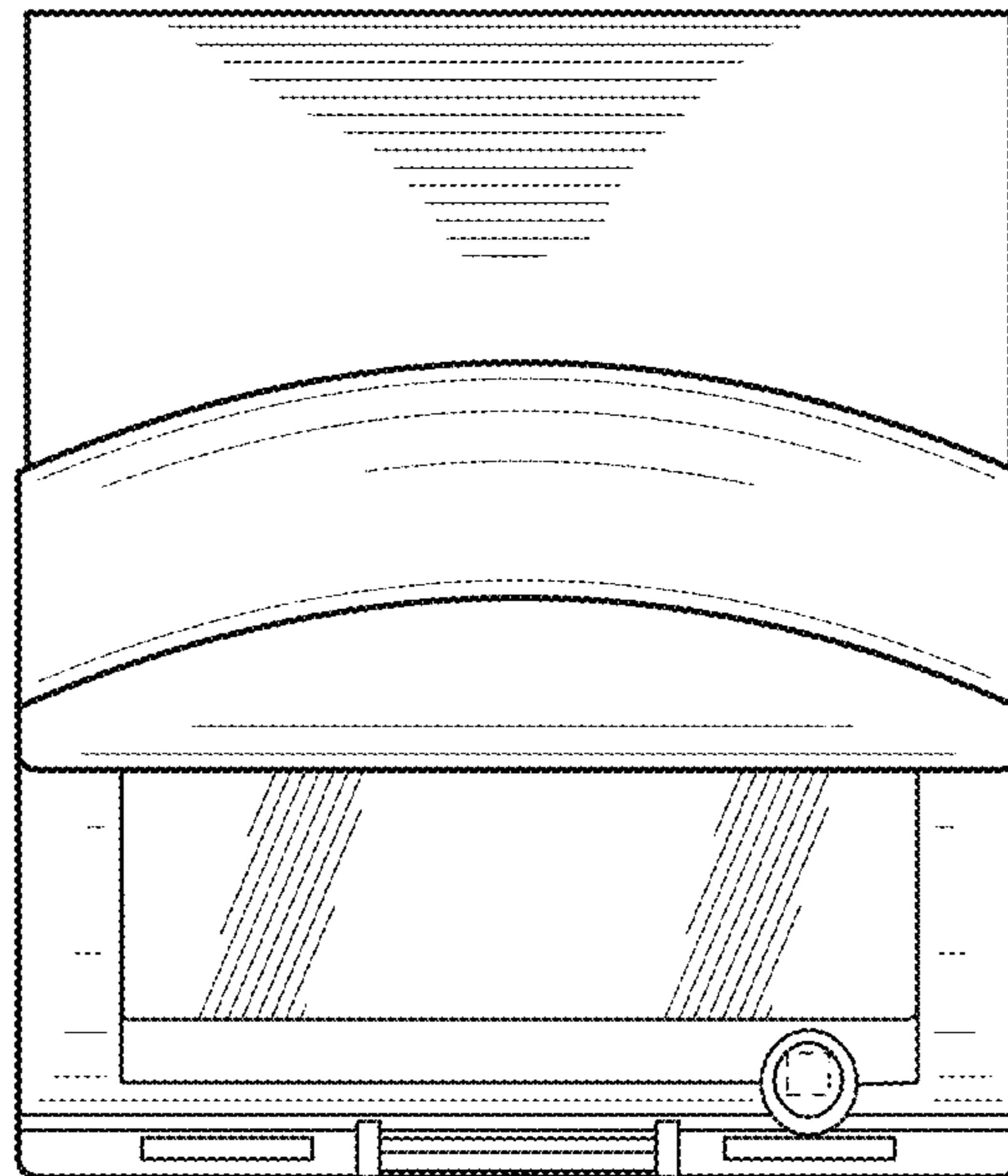
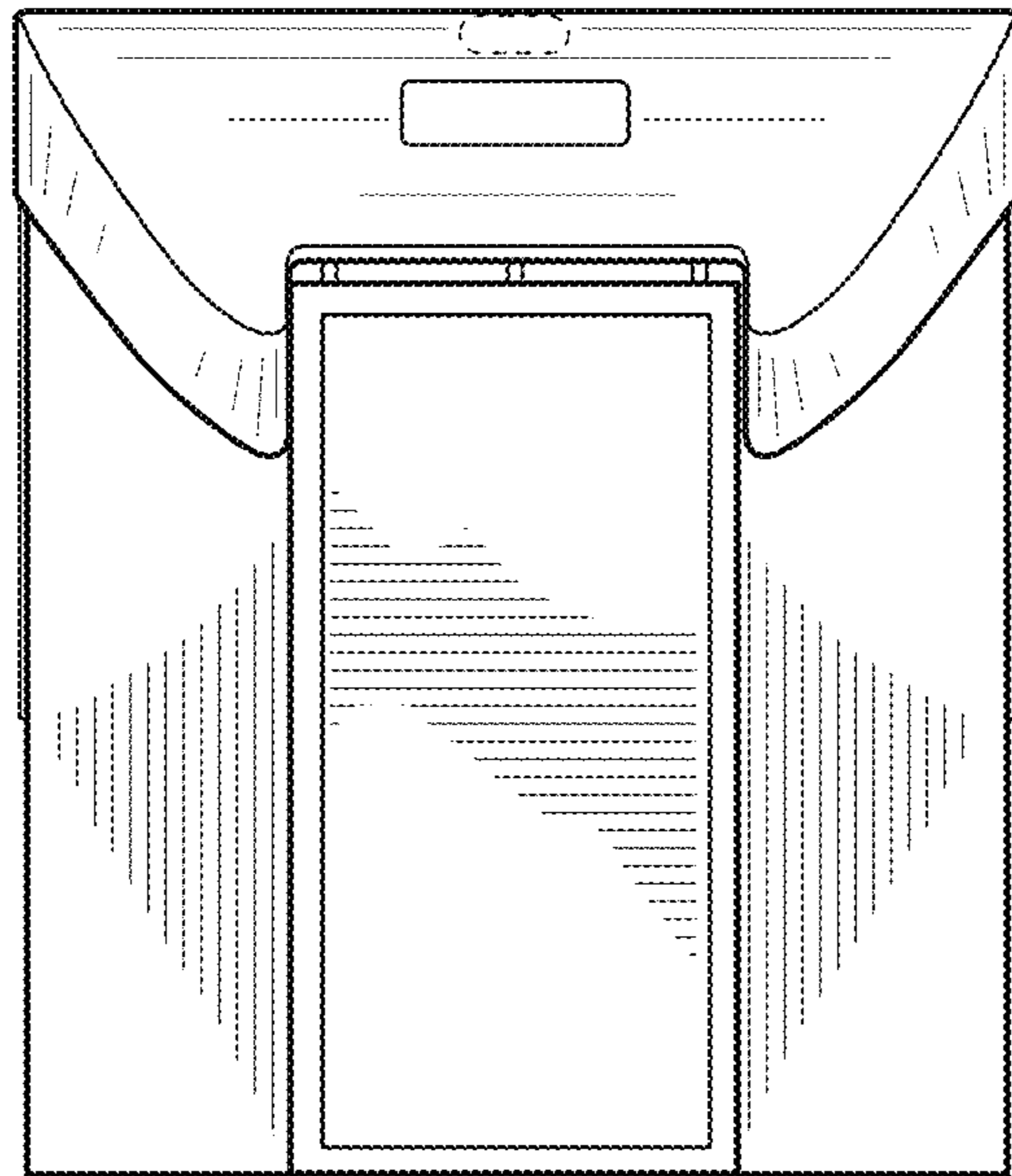


FIG. 6



**FIG. 7**

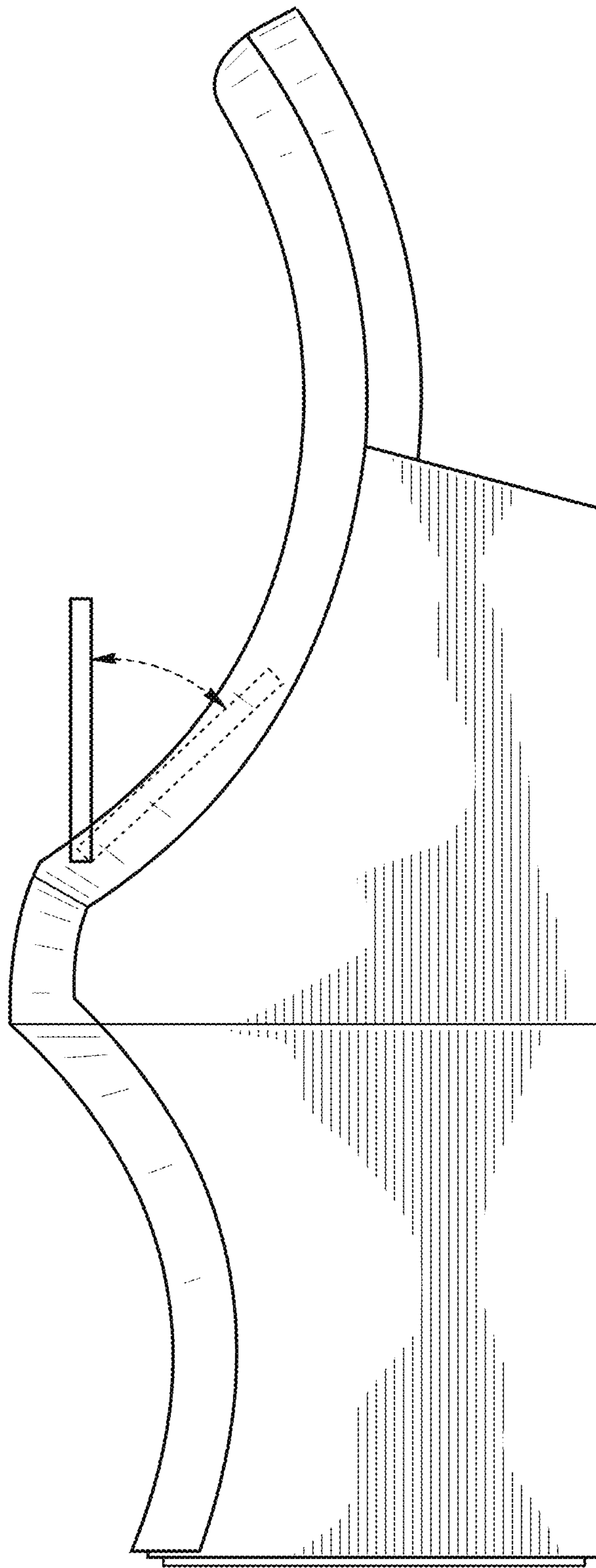


FIG. 8

UNITED STATES PATENT AND TRADEMARK OFFICE  
**CERTIFICATE OF CORRECTION**

PATENT NO. : D789,021 S  
APPLICATION NO. : 29/549039  
DATED : June 6, 2017  
INVENTOR(S) : Toshiaki Sato

Page 1 of 11

It is certified that error appears in the above-identified patent and that said Letters Patent is hereby corrected as shown below:

On the Title Page

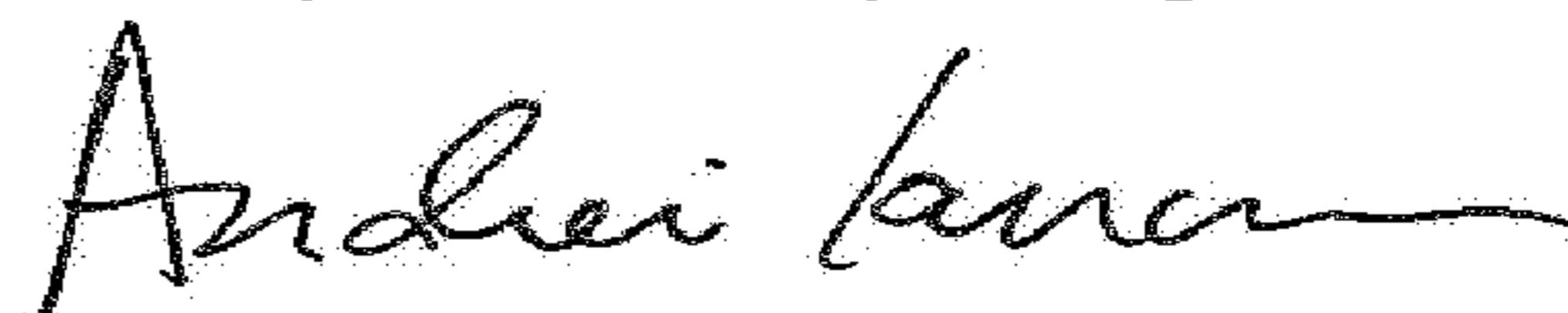
Delete the title page and substitute therefore with the attached title page showing the corrected illustrative figure.

Delete the Page 2 and substitute therefore with the attached Page 2 showing the corrected number of drawing sheets in patent.

In the Drawings

Delete Drawing Sheets 1-5 and substitute therefore with the attached Drawing Sheets 1-8. FIGS 3-5 have been added to set of drawings.

Signed and Sealed this  
Twenty-fourth Day of April, 2018



Andrei Iancu  
*Director of the United States Patent and Trademark Office*



(12) **United States Design Patent** (10) **Patent No.:** **US D789,021 S**  
**Sato** (45) **Date of Patent:** **\*\* Jun. 6, 2017**

(54) **AUTOMATIC TELLER MACHINE**

G07F 5/00; G07F 1/00; E05G 7/001;  
 E05G 1/006; A63H 33/00; A63H 33/005  
 See application file for complete search history.

(71) Applicant: **NEC Corporation**, Minato-ku, Tokyo  
 (JP)

(72) Inventor: **Toshiaki Sato**, Minato-ku (JP)

(73) Assignee: **NEC CORPORATION**, Tokyo (JP)

(\*\*) Term: **15 Years**

(21) Appl. No.: **29/549,039**

(22) Filed: **Dec. 18, 2015**

(30) **Foreign Application Priority Data**

Jun. 19, 2015 (JP) ..... 2015-013681

(51) **LOC (10) Cl.** ..... **20-01**

(52) **U.S. Cl.**  
 USPC ..... **D99/28**

(58) **Field of Classification Search**

USPC ..... D99/28, 34, 35, 36, 43, 99;  
 D14/300-302, 305, 307, 900-902;  
 D18/3.1-3.3, 4.1-4.6, 12.1-12.3;  
 D21/324, 325, 329, 369, 370; 101/66;  
 109/1 R, 1 V, 2, 23, 24.1, 25, 58, 58.5,  
 109/66; 446/8-13; 705/16, 17, 18, 42,  
 705/43, 44, 45; 235/51, 379, 380, 381,  
 235/382, 382.5, 386; 206/0.8, 0.81,  
 206/0.815, 0.82, 0.84  
 CPC .. G06Q 20/10; G06Q 20/108; G06Q 20/1085;  
 G06Q 20/18; G07D 1/00; G07D 1/02;  
 G07D 1/04; G07D 1/06; G07D 11/00;  
 G07D 9/002; G07D 9/04; G07F 19/20;  
 G07F 19/201; G07F 19/202; G07F  
 19/203; G07F 19/204; G07F 19/105;  
 G07F 19/21; G07F 19/00; G07F 7/04;

(56) **References Cited**

U.S. PATENT DOCUMENTS

D388,229 S \* 12/1997 Couch ..... D18/4.6  
 D405,833 S \* 2/1999 Mussett ..... D20/1  
 6,029,888 A \* 2/2000 Harvey ..... G06K 7/0034  
 235/379  
 D437,468 S \* 2/2001 Fukutake ..... D99/28  
 D449,076 S \* 10/2001 Dumouchel ..... D20/10  
 D449,420 S \* 10/2001 Sommerville ..... D99/28  
 D456,587 S \* 4/2002 Kit ..... D99/28  
 D462,776 S \* 9/2002 Bain ..... D14/307  
 D507,813 S \* 7/2005 Gillard ..... D20/10  
 D530,880 S \* 10/2006 Magee ..... D99/28  
 D586,147 S \* 2/2009 Tsay ..... D6/668.1  
 D592,825 S \* 5/2009 Kang ..... D99/28

(Continued)

*Primary Examiner* — Elizabeth J Oswecki

(74) *Attorney, Agent, or Firm* — Keating & Bennett, LLP

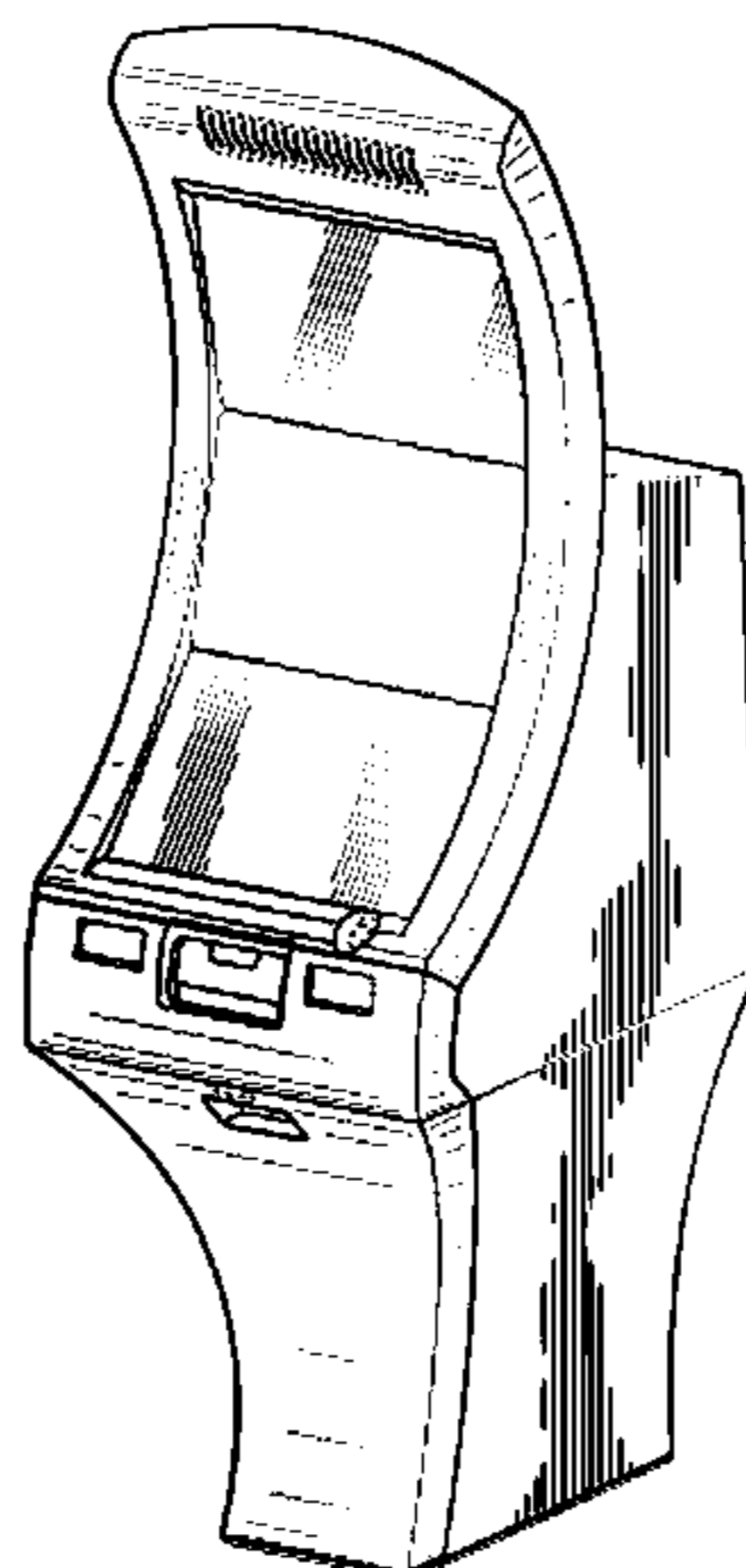
(57) **CLAIM**

The ornamental design for an automatic teller machine, as shown and described.

**DESCRIPTION**

FIG. 1 is a top, front, and right side perspective view of an automatic teller machine showing my new design;  
 FIG. 2 is a front view thereof;  
 FIG. 3 is a back view thereof;  
 FIG. 4 is a right side view thereof;  
 FIG. 5 is a left side view thereof;  
 FIG. 6 is a top view thereof;  
 FIG. 7 is a bottom view thereof; and,  
 FIG. 8 is another right side view thereof with the bottom touch display panel in an upright forward position, in which the dotted lines show the bottom touch display panel in its original position.

(Continued)



US D789,021 S

Page 2

The broken lines shown in the drawings represent portions of the automatic teller machine that form no part of the claimed design.

1 Claim, 8 Drawing Sheets

(56)

References Cited

U.S. PATENT DOCUMENTS

D696,373 S *	7/2009	Kang	.....	D696/78
D675,305 S *	10/2010	Bleck	.....	D14/307
D626,544 S *	11/2010	Bleck	.....	D14/307
D626,545 S *	11/2010	Bleck	.....	D14/307
D629,585 S *	12/2010	Bleck	.....	D14/307
7,939,072 B1 *	6/2011	Jenkins	.....	G06Q 20/1085 235/375
D682,504 S *	5/2013	Lee	.....	D14/900
D738,386 S *	9/2015	Kraft	.....	D14/307
D743,956 S *	11/2015	Kraft	.....	D14/307
D769,370 S *	10/2016	Kraft	.....	D99/28

\* cited by examiner

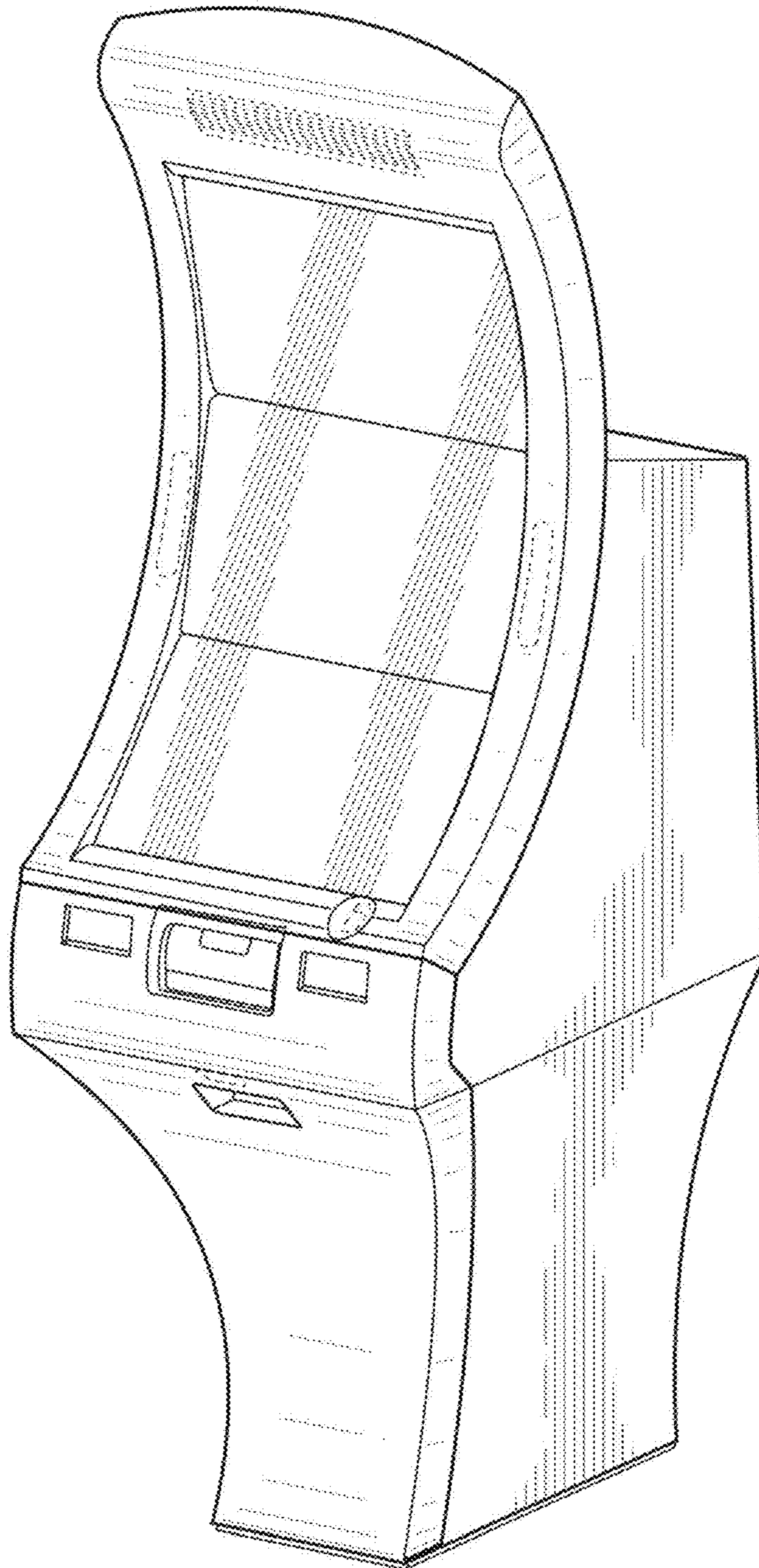


FIG. 1

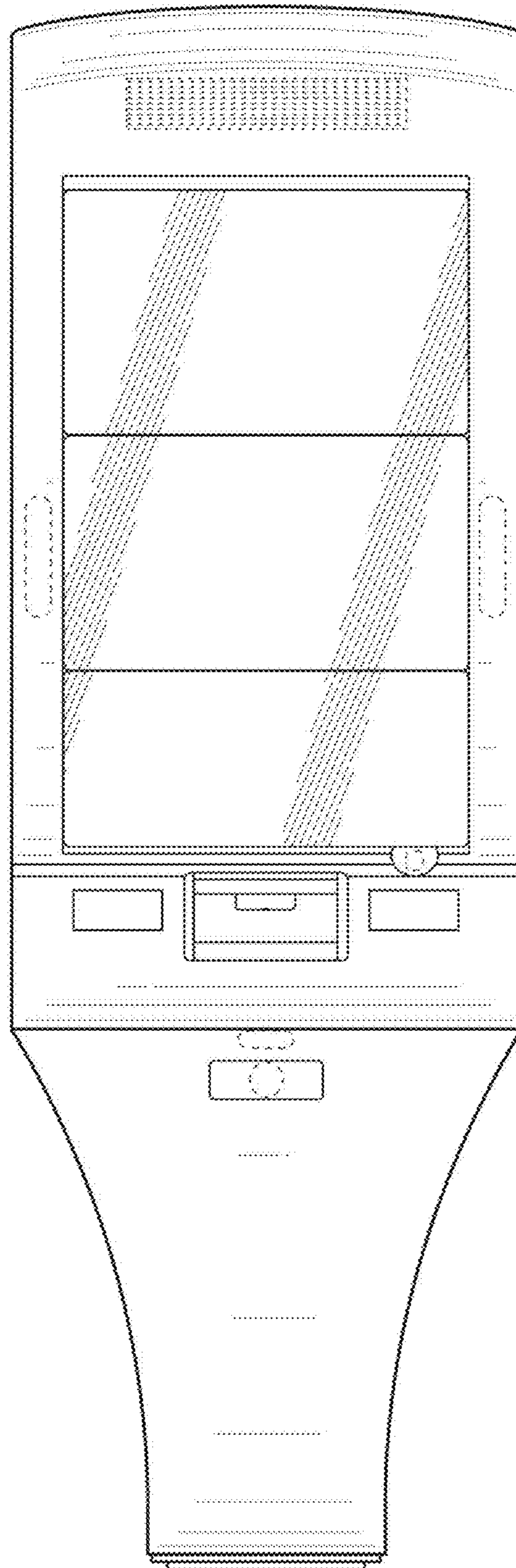


FIG. 2

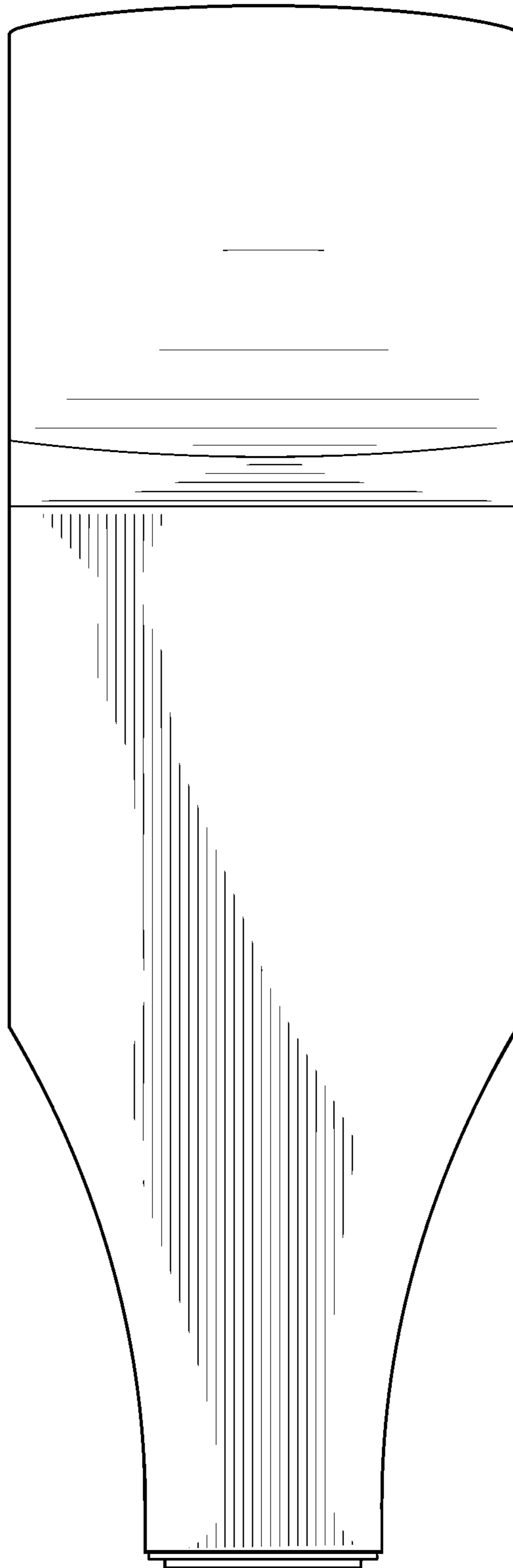


FIG. 3

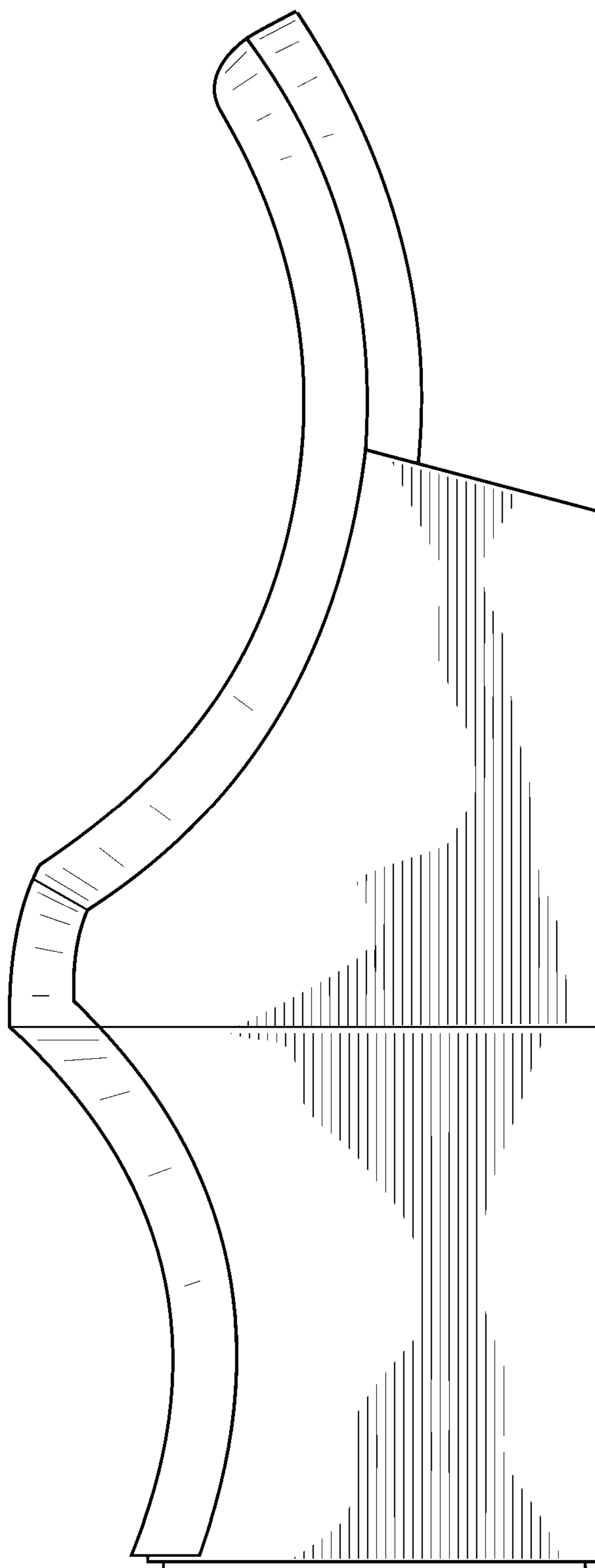


FIG. 4

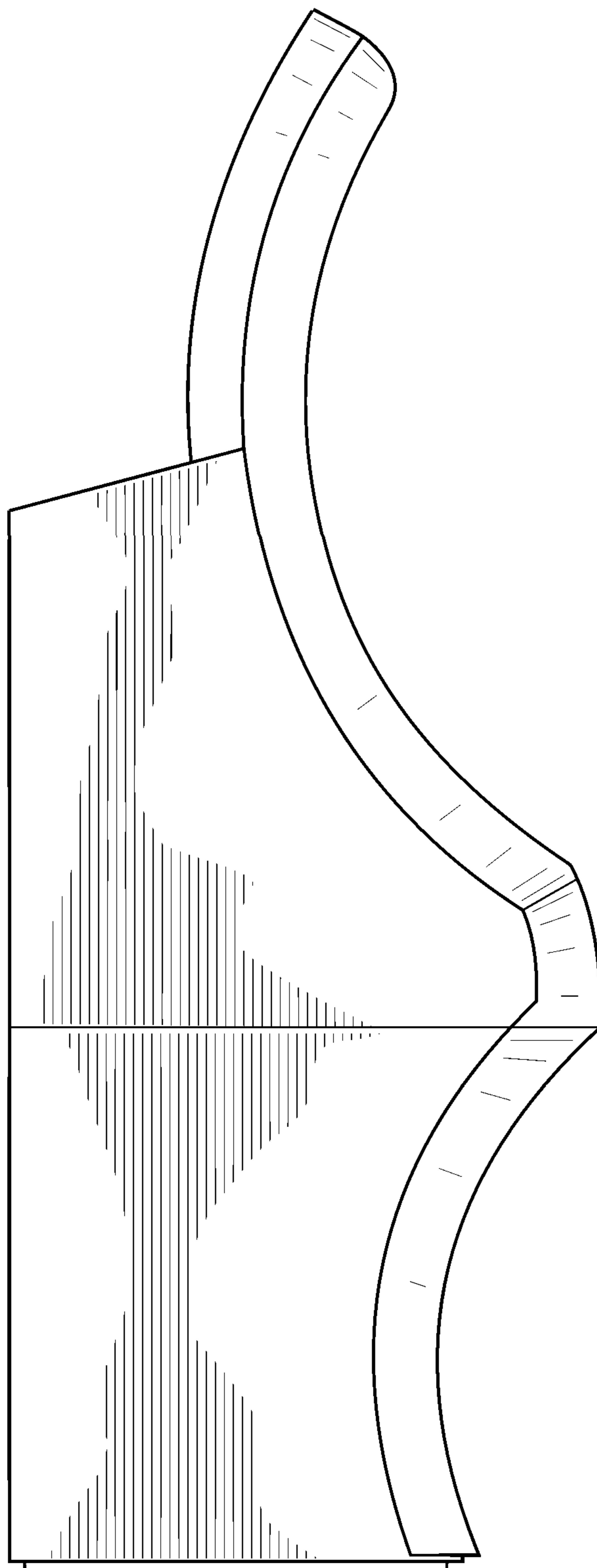


FIG. 5

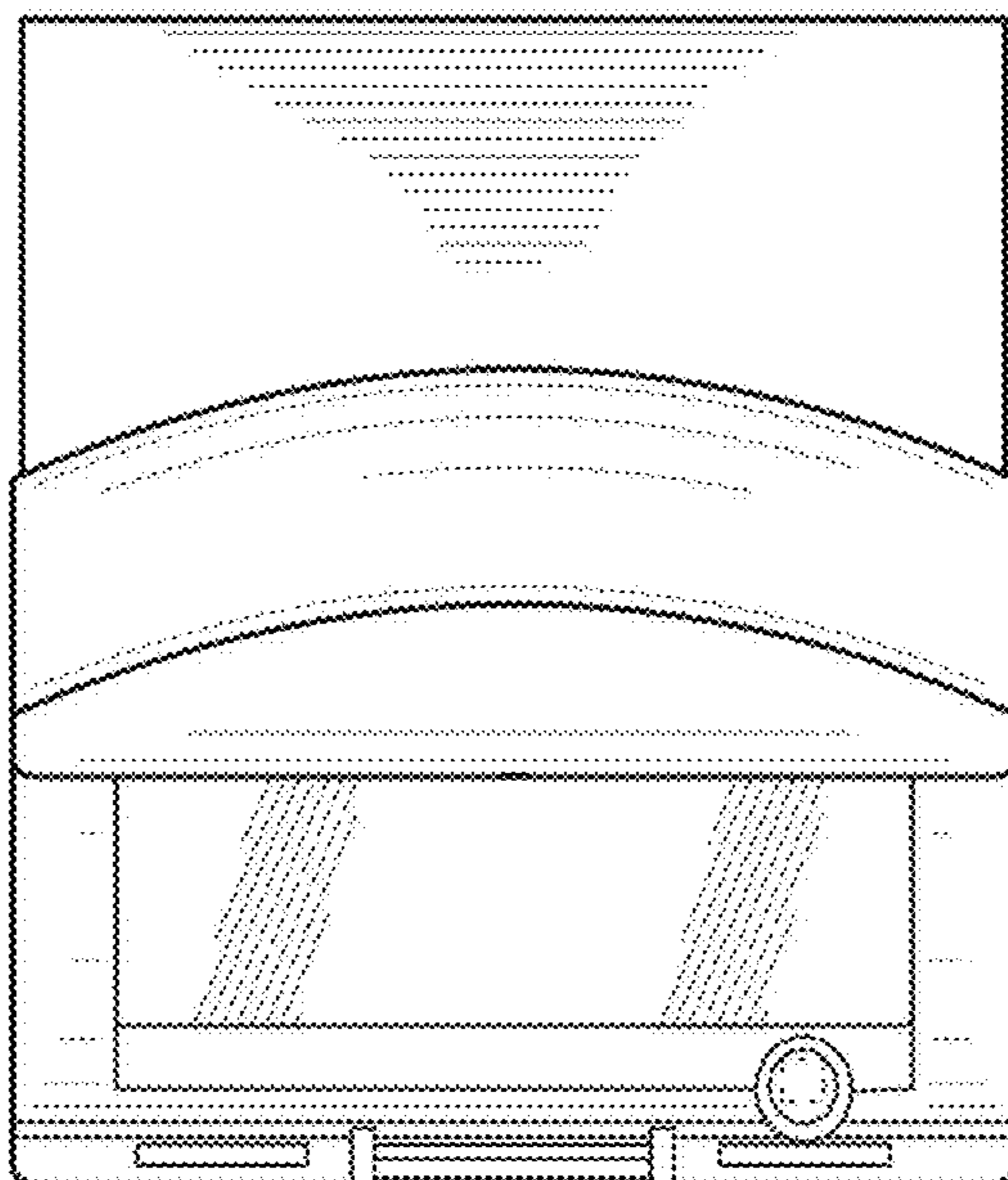


FIG. 6



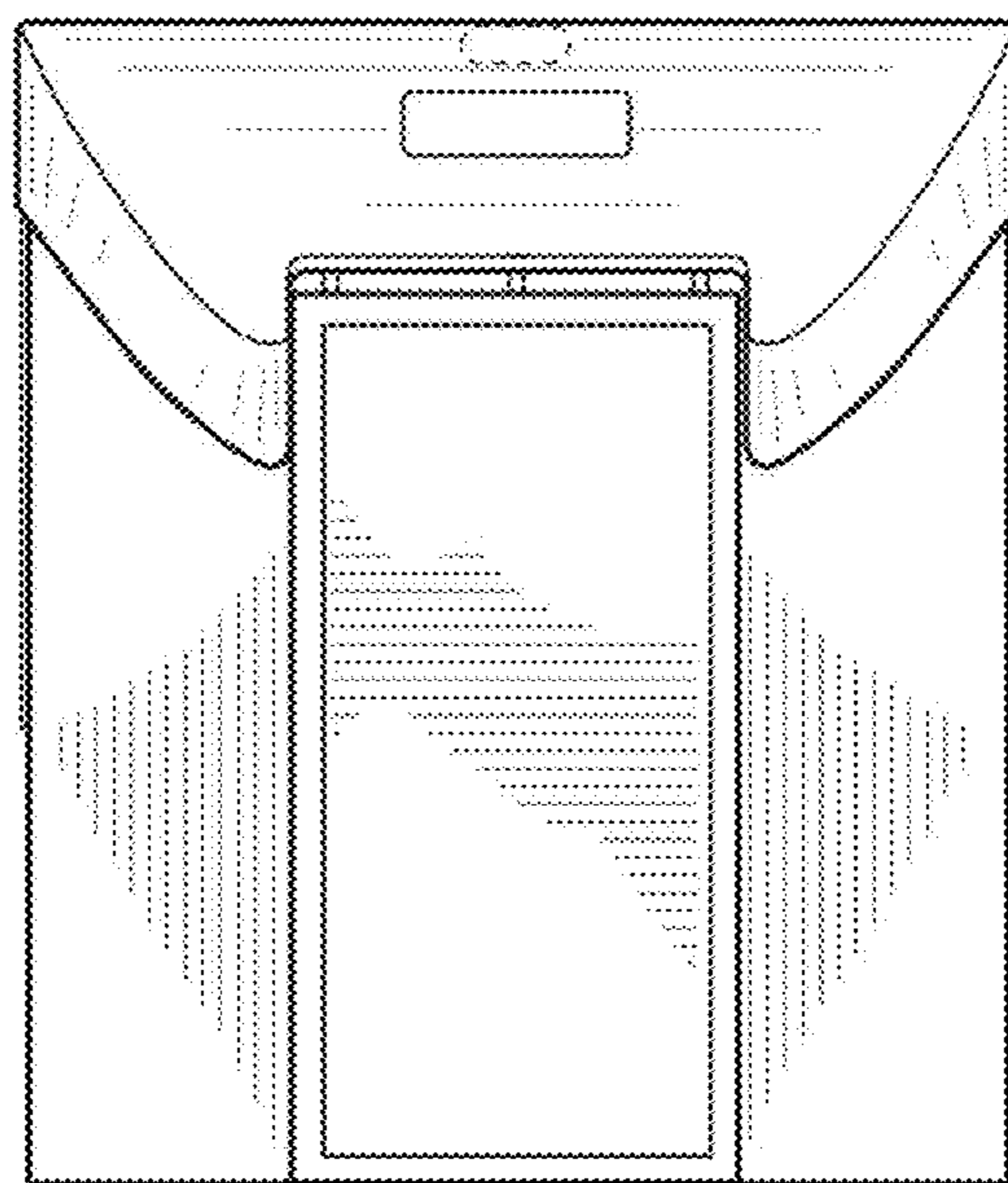


FIG. 7

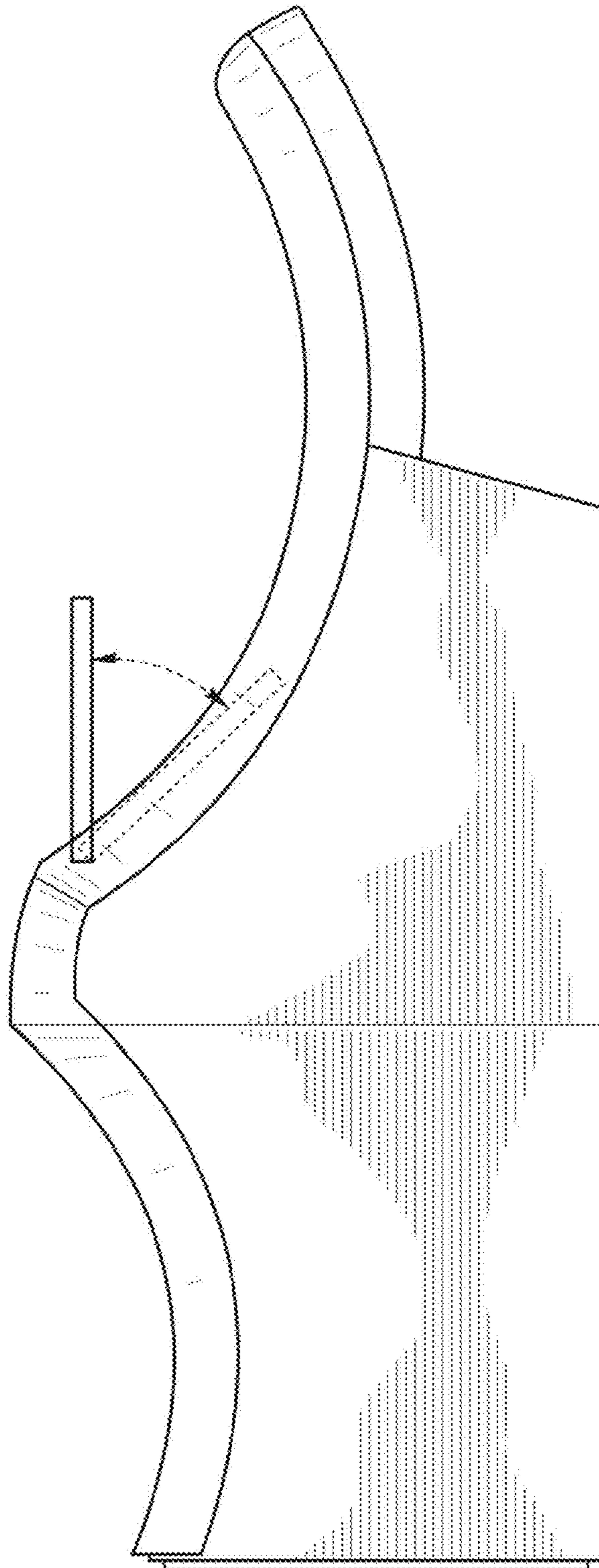


FIG. 8