



US00D789016S

(12) **United States Design Patent**
Kosuga et al.

(10) **Patent No.:** **US D789,016 S**
(45) **Date of Patent:** **** Jun. 6, 2017**

(54) **HOIST**
(71) Applicant: **KITO CORPORATION**,
Nakakoma-gun, Yamanashi (JP)
(72) Inventors: **Kosuke Kosuga**, Yamanashi (JP);
Fujito Yudate, Yamanashi (JP)
(73) Assignee: **KITO CORPORATION**, Yamanashi
(JP)

D556,420 S * 11/2007 Trihey D34/33
D636,143 S * 4/2011 Nagase D34/33
D741,039 S * 10/2015 Huang D34/33
D744,188 S * 11/2015 van Der Zijde D34/33
D759,336 S * 6/2016 Piispanen D34/33
D764,139 S * 8/2016 Tsai D34/33
D767,235 S * 9/2016 Mayer D34/33
2015/0090946 A1* 4/2015 Schwaiger B66D 3/26
254/362

(**) Term: **15 Years**
(21) Appl. No.: **29/549,697**
(22) Filed: **Dec. 28, 2015**

* cited by examiner

Primary Examiner — Cynthia Ramirez
(74) *Attorney, Agent, or Firm* — Cantor Colburn LLP

(30) **Foreign Application Priority Data**

Jun. 26, 2015 (JP) 2015-014212

(51) **LOC (10) Cl.** **12-05**

(52) **U.S. Cl.**
USPC **D34/33**

(58) **Field of Classification Search**
USPC D34/28, 32, 33; 254/372, 270, 346, 350,
254/266, 359, 366, 276, 360, 268, 390,
254/334, 389, 358, 405
CPC B66D 1/46; B66D 1/36; B66D 1/7489;
B66D 1/04; B66D 1/225; B66D 1/12;
B66D 1/14; B66D 1/20; B66D 1/30;
B66D 1/34; B66D 1/485

See application file for complete search history.

(56) **References Cited**

U.S. PATENT DOCUMENTS

6,241,215 B1* 6/2001 Gersemsky A61G 7/1015
254/342

(57) **CLAIM**

The ornamental design for a hoist, as shown and described.

DESCRIPTION

FIG. 1 is a perspective view of a hoist showing our new design;
FIG. 2 is a front view thereof;
FIG. 3 is a rear view thereof;
FIG. 4 is a top view thereof;
FIG. 5 is a bottom view thereof;
FIG. 6 is a right side view thereof; and,
FIG. 7 is a left side view thereof.
The broken lines in the drawings are for the purpose of illustrating portions of the hoist that form no part of the claimed design.

1 Claim, 7 Drawing Sheets

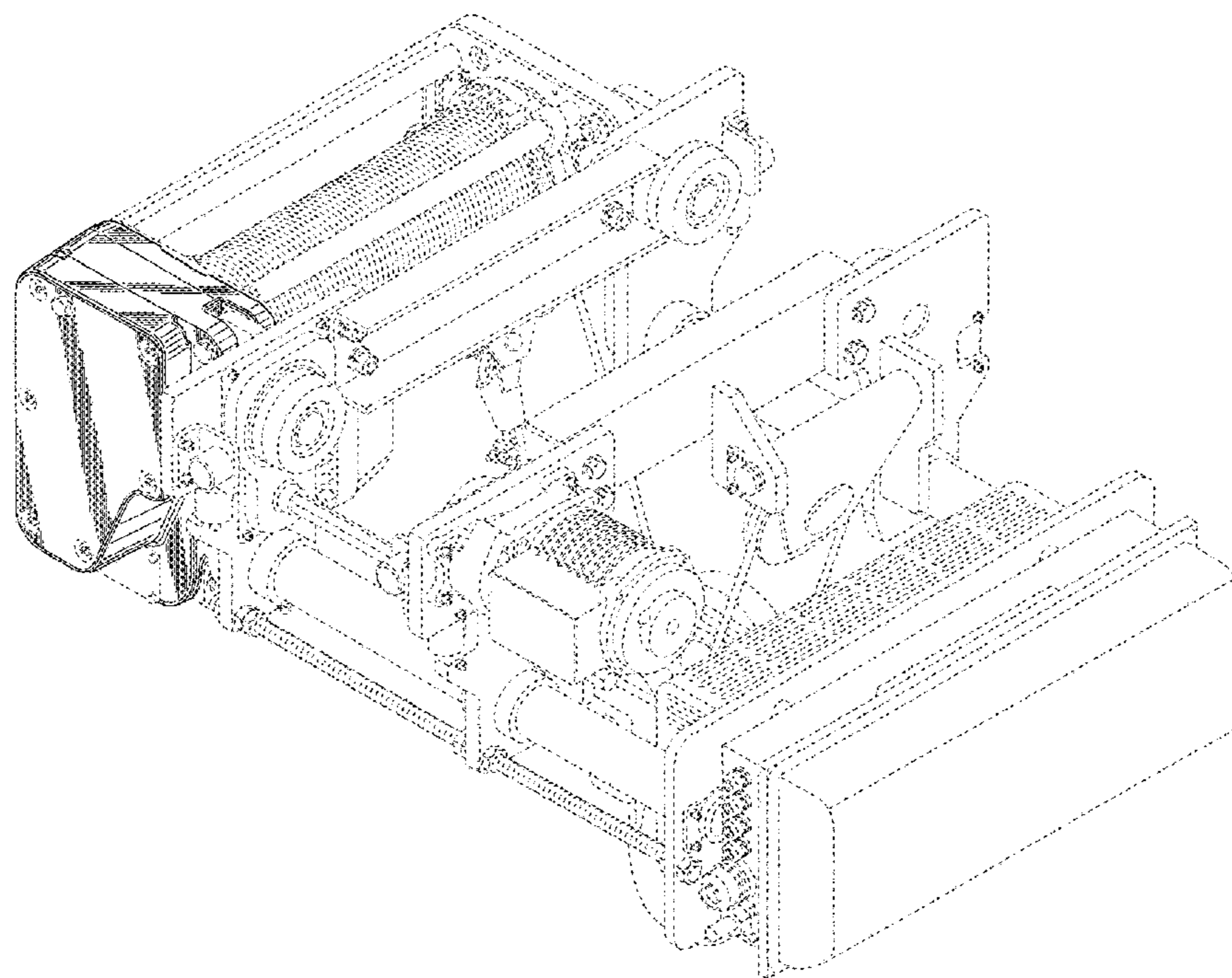


FIG. 1

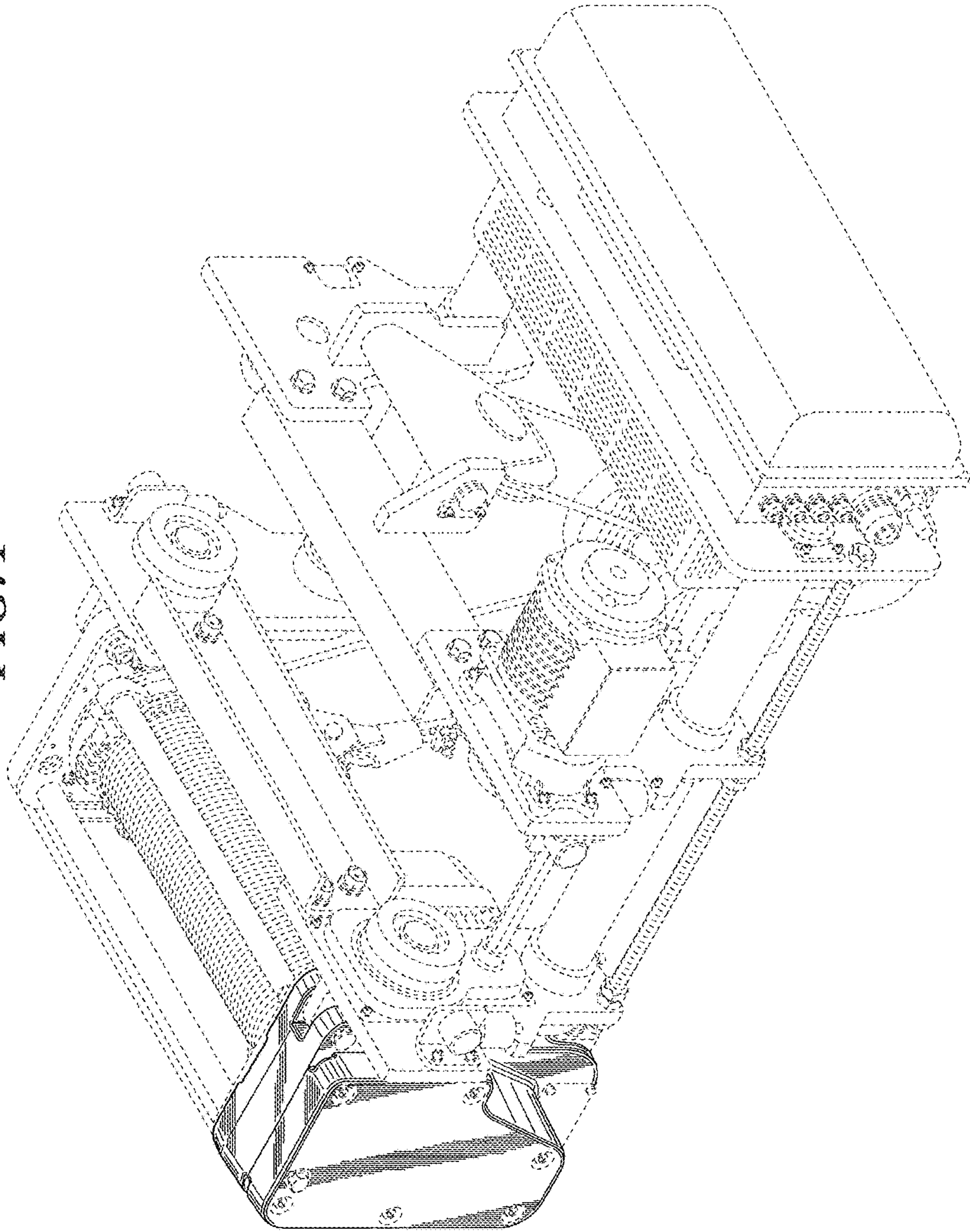


FIG. 2

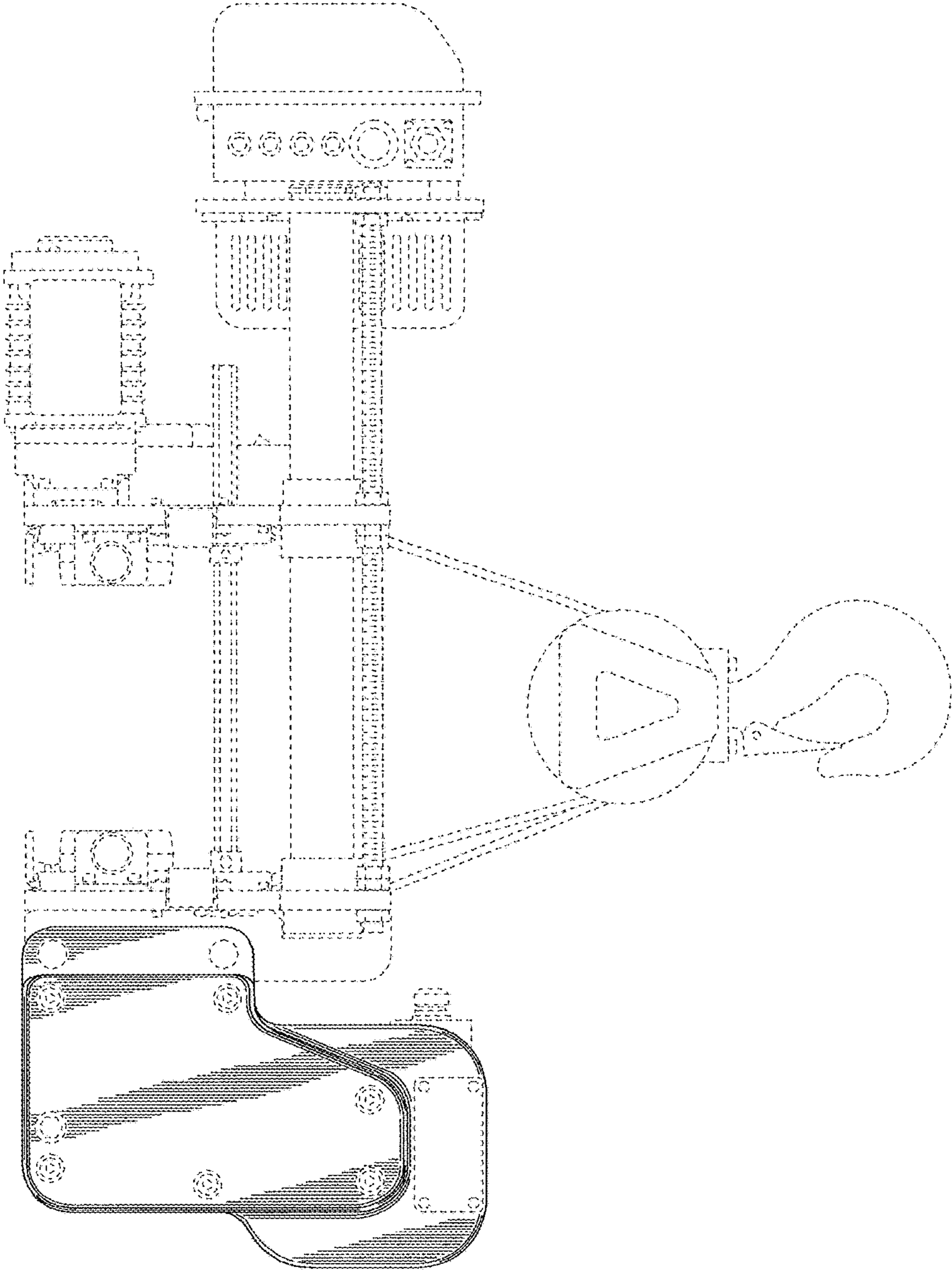


FIG. 3

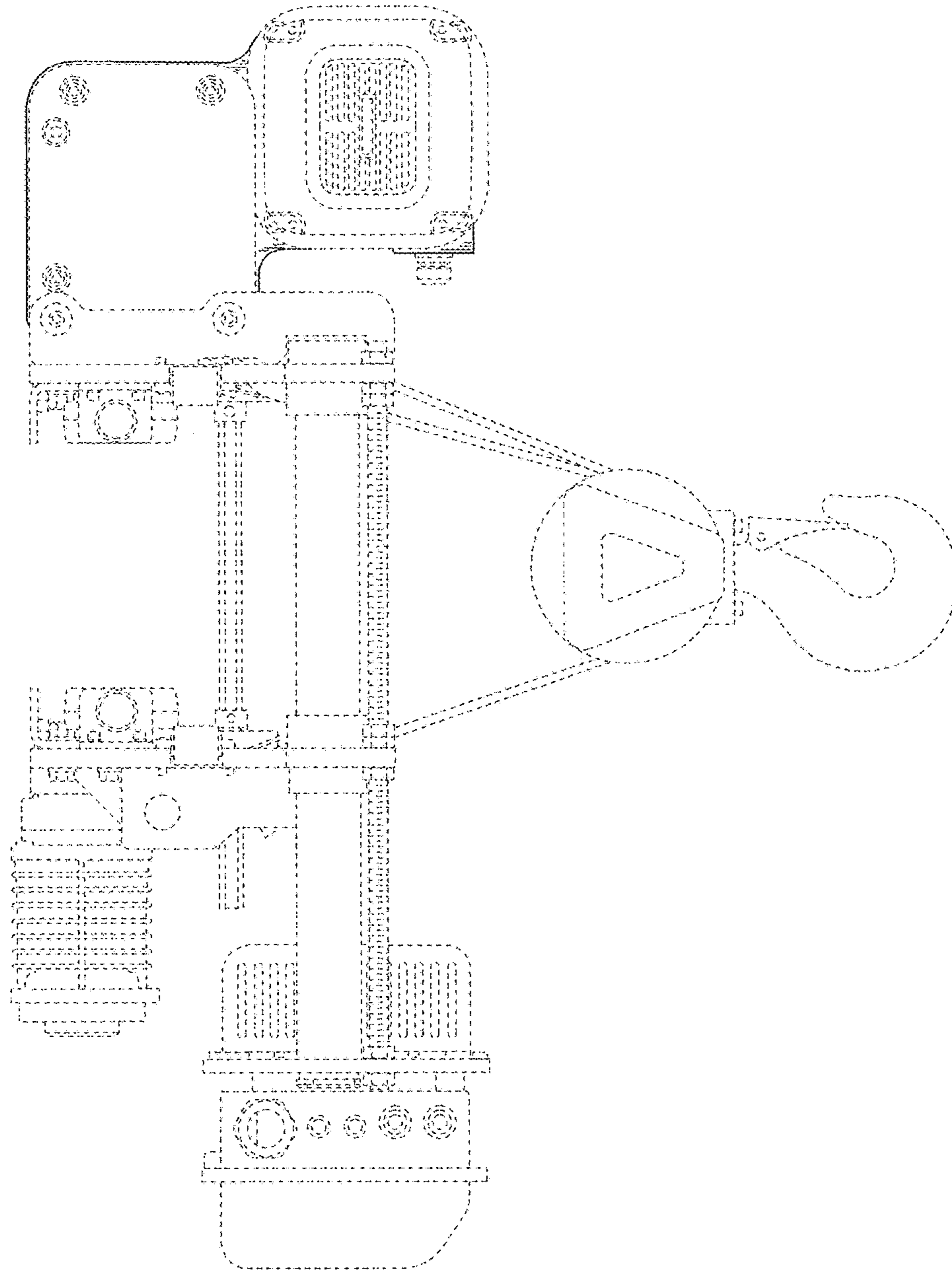


FIG. 4

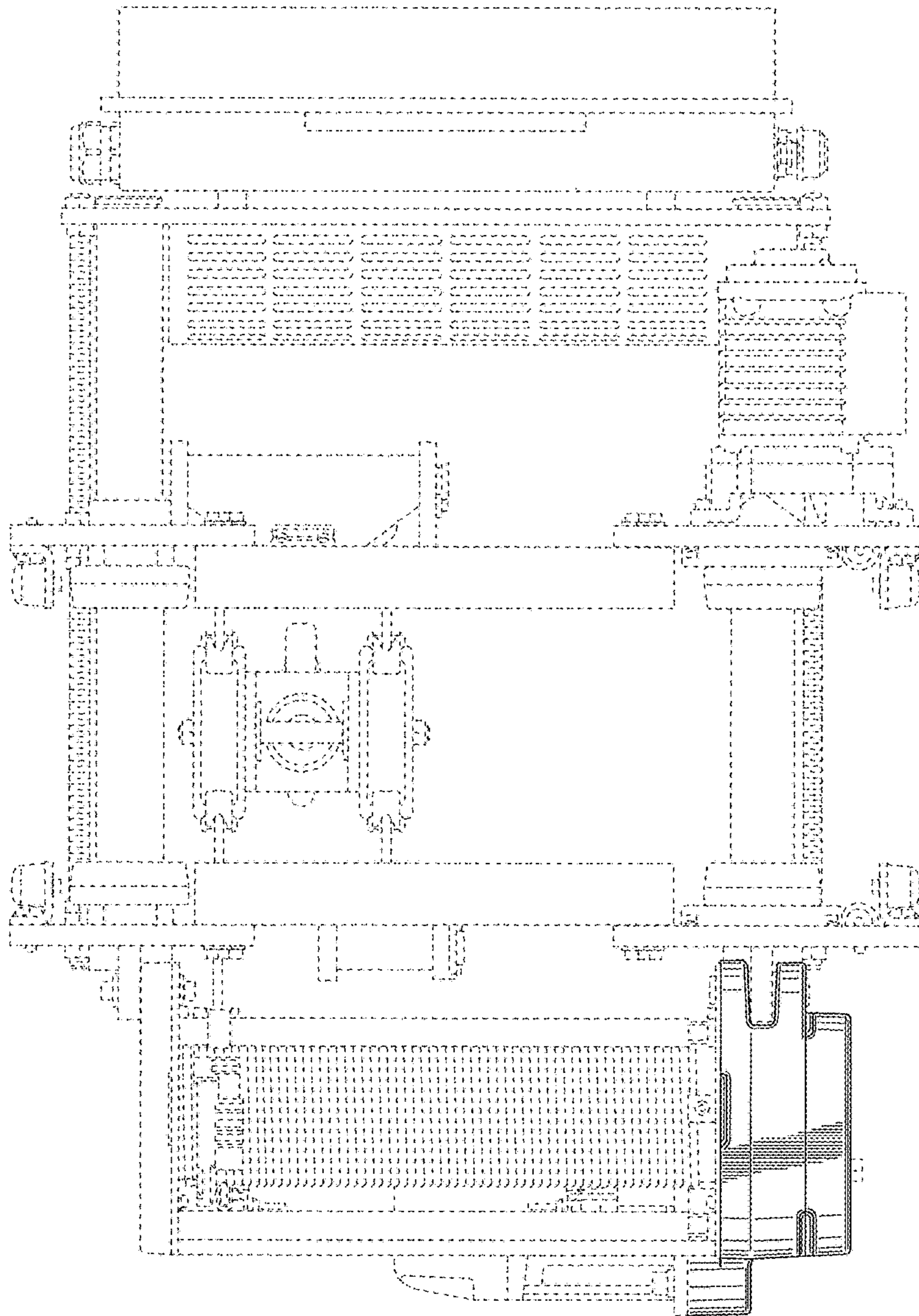


FIG. 5

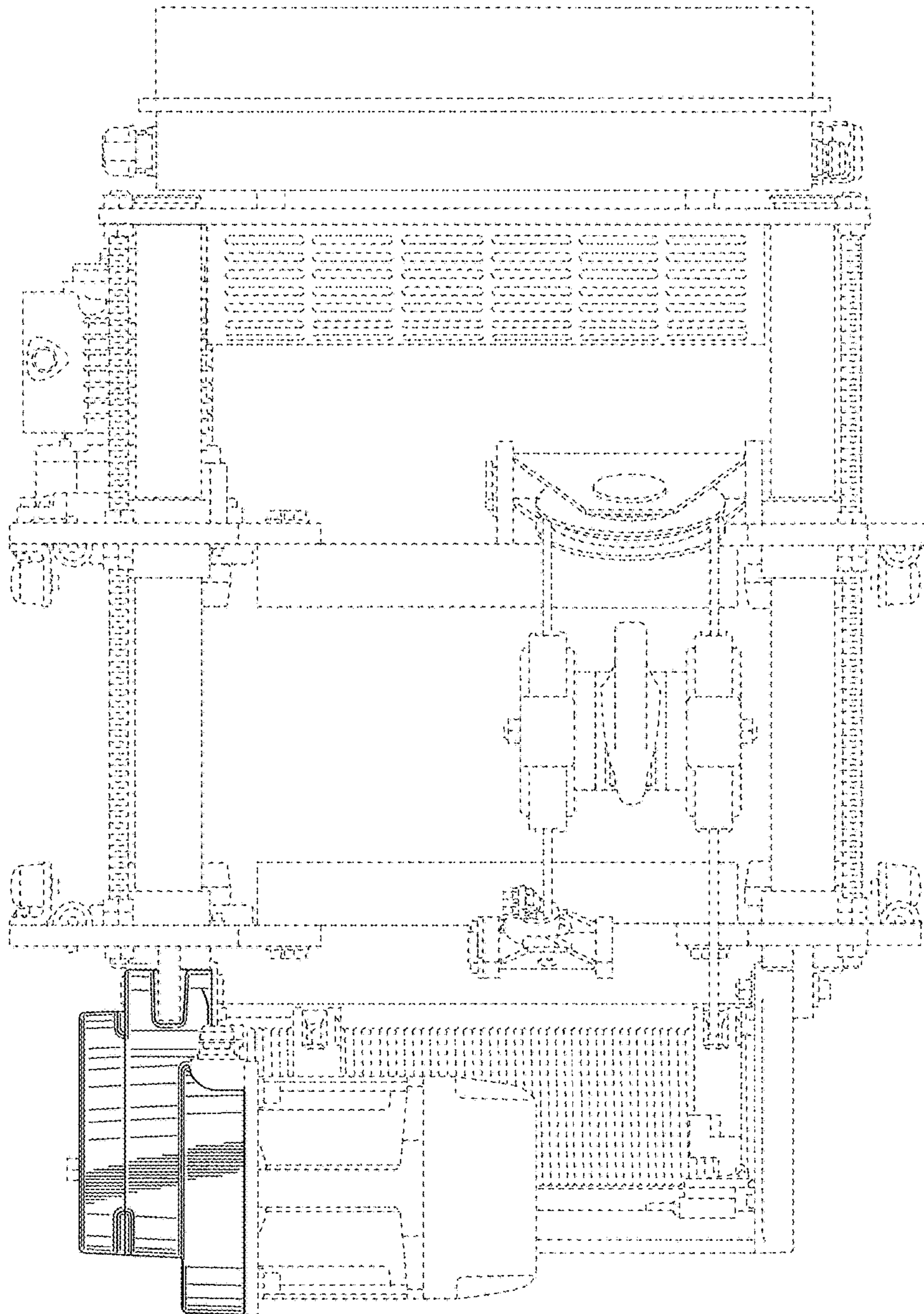


FIG. 6

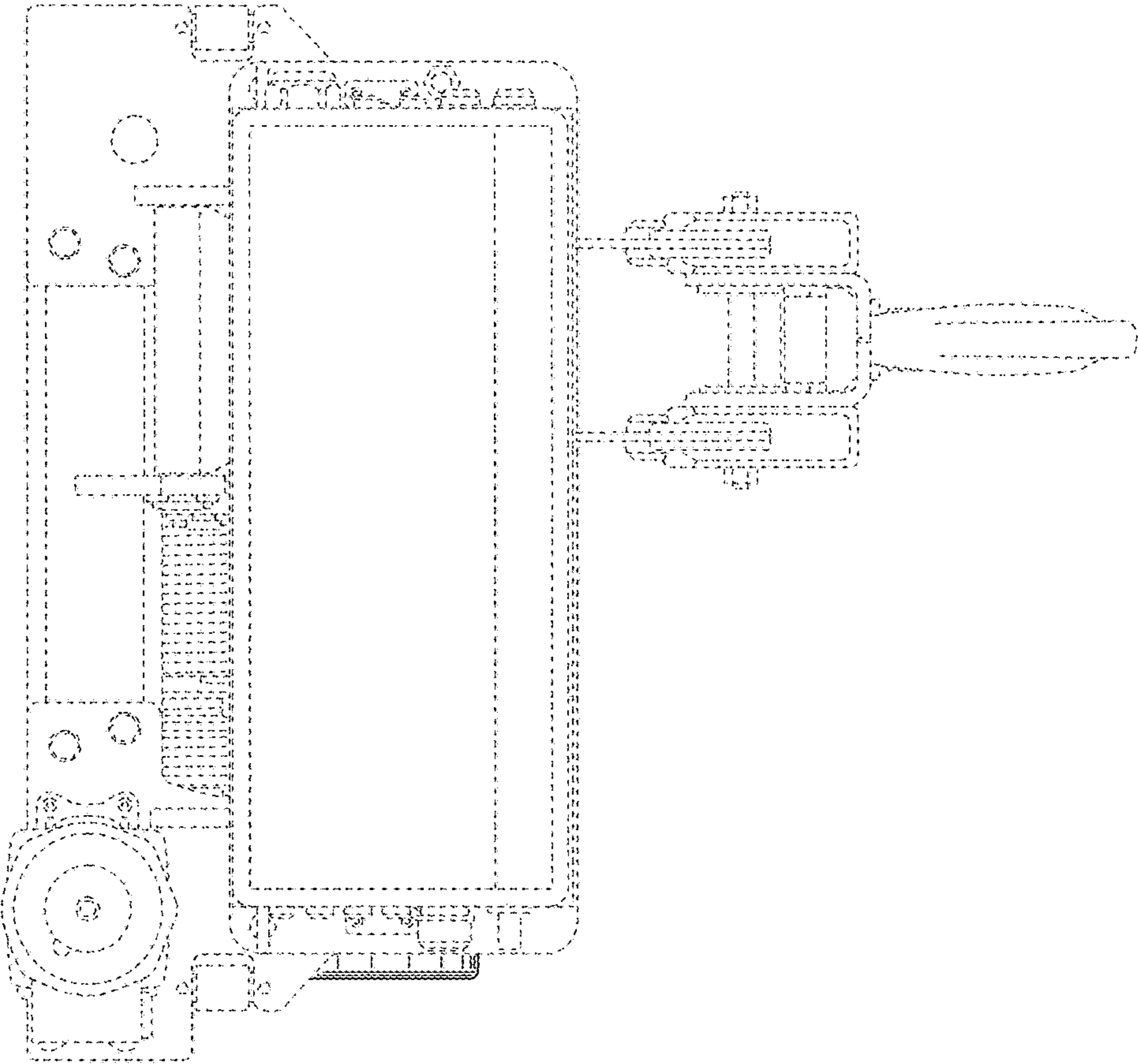


FIG. 7

