



US00D789015S

(12) **United States Design Patent**
Shu et al.

(10) **Patent No.:** **US D789,015 S**
(45) **Date of Patent:** **** Jun. 6, 2017**

- (54) **LIFTING CYLINDER WITH BALANCED VALVE**
- (71) Applicant: **Ningbo Yinzhou Zhongtian Hydraulic Co., Ltd., Ningbo (CN)**
- (72) Inventors: **Pingguo Shu, Ningbo (CN); Chengshu Jiang, Ningbo (CN); Yihai Zhong, Ningbo (CN)**
- (73) Assignee: **Ningbo Yinzhou Zhongtian Hydraulic Co., Ltd., Ningbo (CN)**
- (**) Term: **15 Years**
- (21) Appl. No.: **29/571,293**
- (22) Filed: **Jul. 15, 2016**
- (51) **LOC (10) Cl.** **12-05**
- (52) **U.S. Cl.**
USPC **D34/31; D34/28**
- (58) **Field of Classification Search**
USPC D23/233; D34/28, 29, 31, 33, 35, 38; 254/8 B, 419, 423, 93 H, 29 R, 30, 100, 254/134, 94, 420, 2 B; 248/351, 352, 248/354.1; 52/126.6; 182/141; D25/122; 72/392; D12/400, 223; 298/17 R, 17.5, 17.6, 19 R, 22 C, 17 B, 298/17 S, 17 SG, 17 T, 17.7, 11; 414/427, 494; 280/475, 47.131; 405/290; D15/5
CPC B66F 9/22; B66F 3/24
See application file for complete search history.

- 3,744,757 A * 7/1973 White B66F 13/00 254/94
- 4,424,983 A * 1/1984 Walters B66F 13/00 254/420
- D281,199 S * 10/1985 Prawl D34/28
- 4,570,905 A * 2/1986 Gerstner B66F 5/00 254/134
- 4,629,163 A * 12/1986 Miller B66F 13/00 254/100
- 4,629,388 A * 12/1986 Riemer B60P 3/127 280/47.131
- 4,645,181 A * 2/1987 Schapansky B66F 3/247 254/2 B
- D373,884 S * 9/1996 Price D34/31
- D379,018 S * 4/1997 Miller D34/28
- D388,925 S * 1/1998 Hulegaard D34/28
- 7,240,885 B1 * 7/2007 Sullivan E04G 25/06 248/351
- D616,570 S * 5/2010 Krajcir D25/122

(Continued)

Primary Examiner — Cynthia Ramirez
Assistant Examiner — Michael Maharajh
(74) *Attorney, Agent, or Firm* — Schwabe Williamson & Wyatt, PC

(57) **CLAIM**

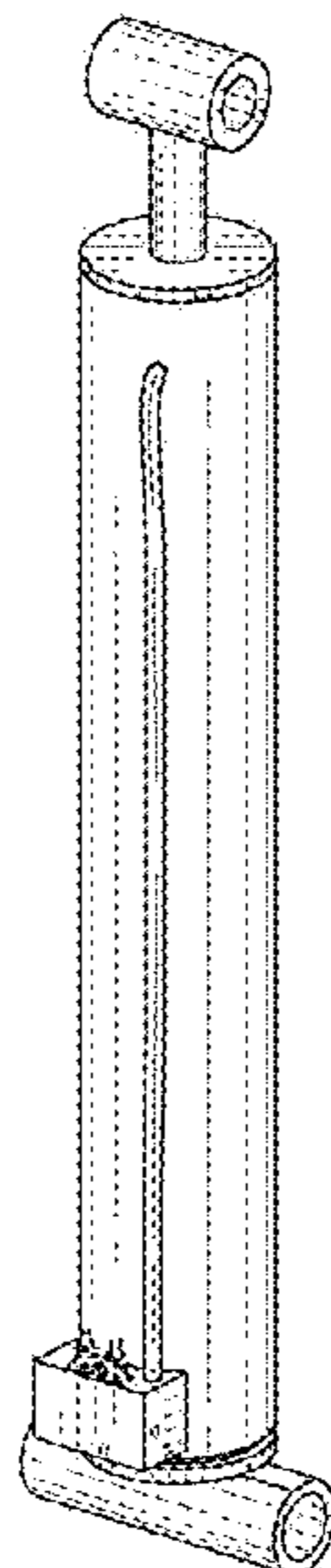
The ornamental design for a lifting cylinder with balanced valve, as shown and described.

DESCRIPTION

FIG. 1 is a perspective view of a lifting cylinder with balanced valve, showing our new design;
FIG. 2 is a left side view thereof;
FIG. 3 is a right side view thereof;
FIG. 4 is a front view thereof;
FIG. 5 is a rear view thereof;
FIG. 6 is a top view thereof; and,
FIG. 7 is a bottom view thereof.
The dashed lines are included for illustrating environmental structures and form no part of the claimed design.

1 Claim, 4 Drawing Sheets

- (56) **References Cited**
U.S. PATENT DOCUMENTS
2,963,185 A * 12/1960 Jones B60P 1/6418 298/11
D216,144 S * 11/1969 Gillen D34/31



(56)

References Cited

U.S. PATENT DOCUMENTS

8,052,352	B2 *	11/2011	Bolton	E21D 15/24 248/351
8,118,368	B1 *	2/2012	Rogers	B60P 1/165 298/17.6
8,496,217	B2 *	7/2013	Cerezo Lotina	E04G 21/26 248/351
2014/0152073	A1 *	6/2014	Nakate	B60P 1/162 298/22 C
2015/0015054	A1 *	1/2015	Uozu	B60P 1/162 298/22 C
2016/0075267	A1 *	3/2016	Ericsson	B60P 1/26 298/19 R

* cited by examiner

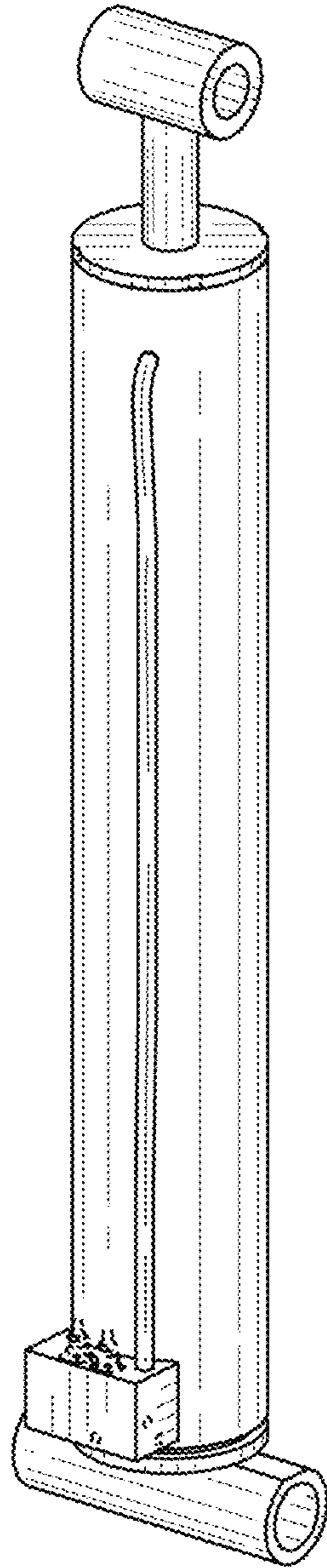


FIG. 1

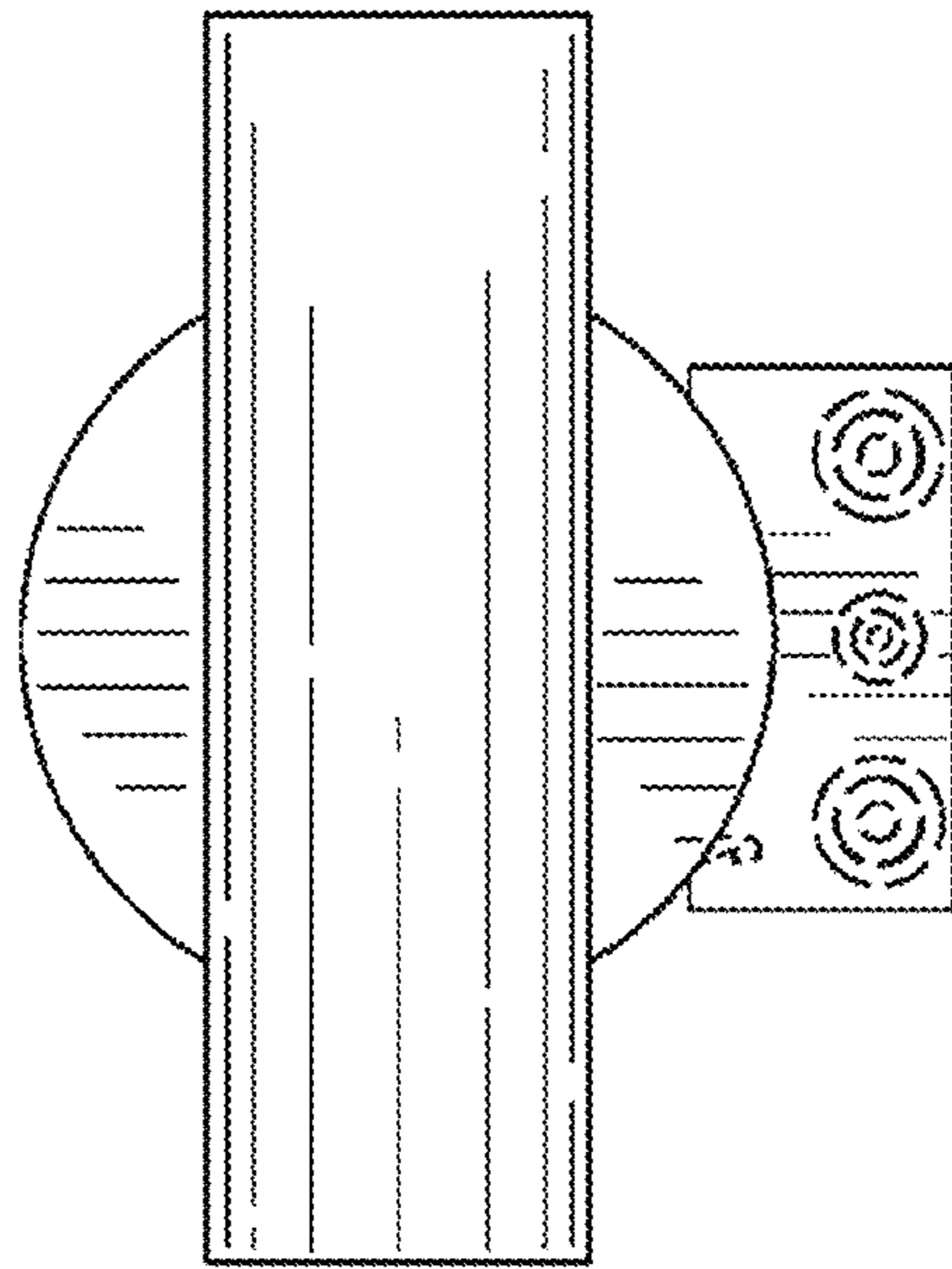


FIG. 2

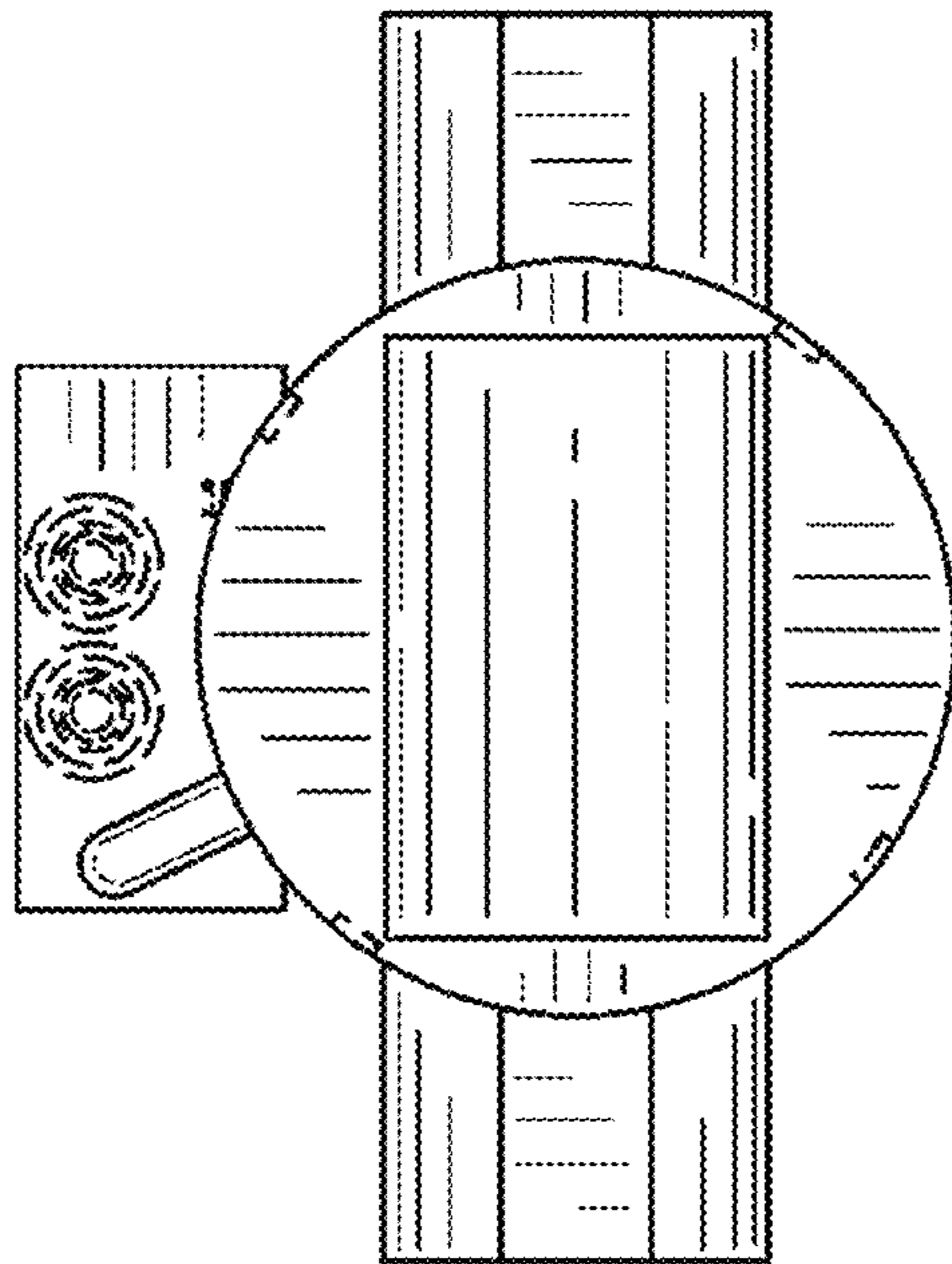


FIG. 3

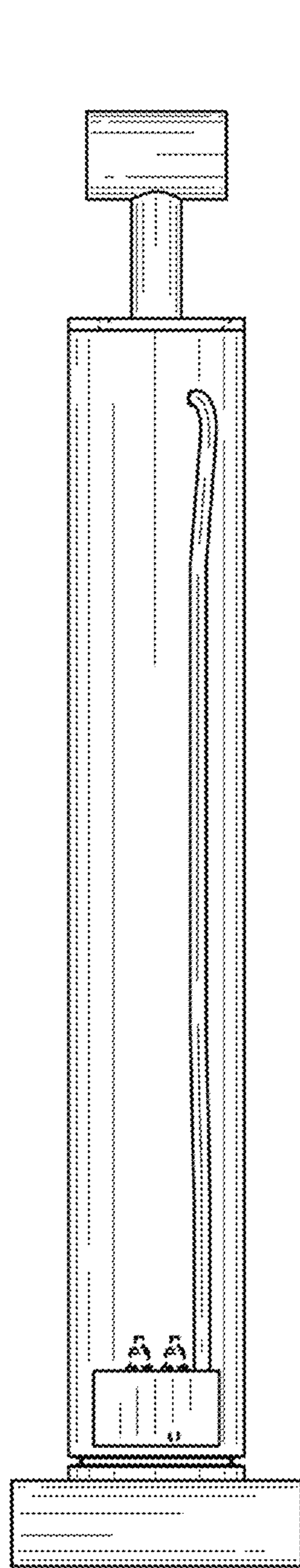


FIG. 4

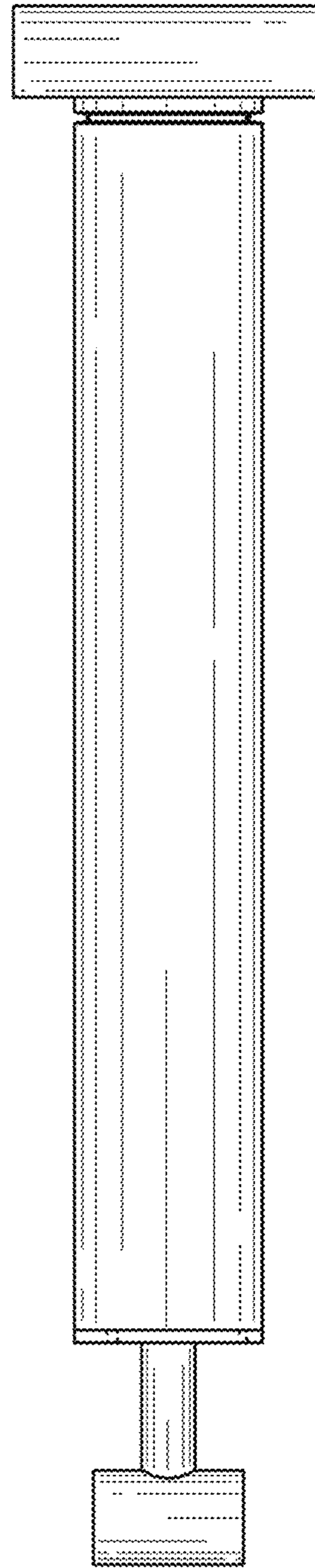


FIG. 5

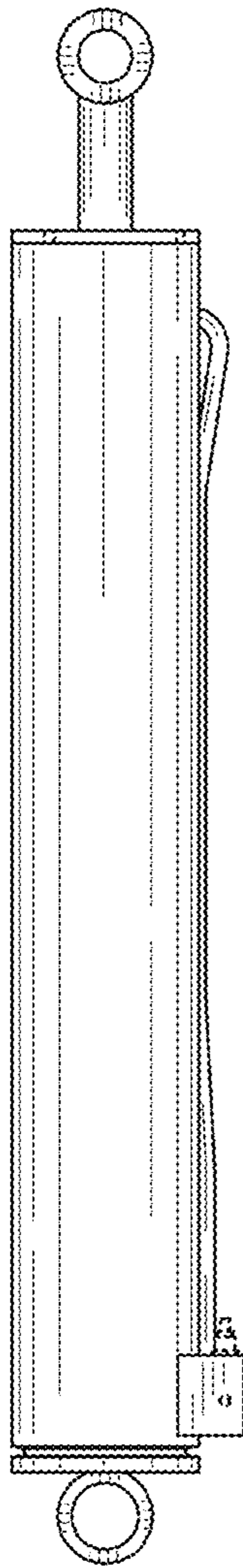


FIG. 6

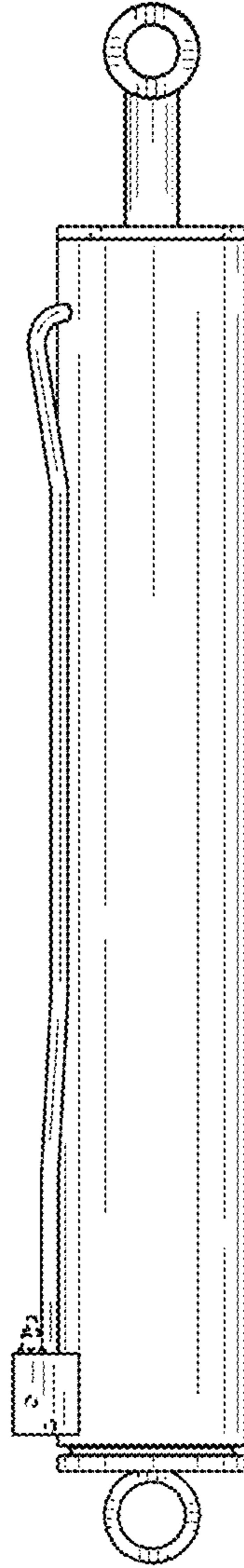


FIG. 7