



US00D789012S

(12) **United States Design Patent**
Labrecque et al.

(10) **Patent No.:** **US D789,012 S**

(45) **Date of Patent:** **** Jun. 6, 2017**

(54) **REFUSE CART**

(71) Applicant: **IPL INC.**, St-Damien (CA)

(72) Inventors: **Jean-Gabriel Labrecque**, Sainte-Claire (CA); **Daisy Del Rosario Roy**, Pintendre (CA); **Francis Cote**, St-Nicolas (CA); **Roch Nolet**, St-Joseph-de-Beauce (CA); **Yvan Marcoux**, St-Joseph-de-Beauce (CA); **Luc Petitpas**, L'Ancienne-Lorette (CA)

(73) Assignee: **IPL INC.**, St-Damien (CA)

(**) Term: **15 Years**

(21) Appl. No.: **29/551,121**

(22) Filed: **Jan. 11, 2016**

Related U.S. Application Data

(62) Division of application No. 29/515,248, filed on Jan. 21, 2015, now Pat. No. Des. 753,364.

(51) **LOC (10) Cl.** **09-09**

(52) **U.S. Cl.**
USPC **D34/5**

(58) **Field of Classification Search**
USPC D34/1-11; 220/908-913, 67; 280/47.26
CPC B65F 1/06; B65F 1/1615; B65F 1/1607;
B65F 1/062; B65F 1/08; B65F 1/163;
B65F 1/16

See application file for complete search history.

(56) **References Cited**

U.S. PATENT DOCUMENTS

D345,837 S *	4/1994	Bean	D34/5
D429,398 S *	8/2000	Wysocki	D34/1
D532,173 S *	11/2006	Aiken	D34/5
D535,448 S *	1/2007	Kilduff	D34/5
D624,723 S *	9/2010	Raghunathan	D34/5
D657,106 S *	4/2012	Talbot Pouliot	D34/5

OTHER PUBLICATIONS

IPL, "Organic Option. For simple Composting", Catalog.
IPL, "80L. The best fit for food waste collection", Catalog.

* cited by examiner

Primary Examiner — Cynthia Ramirez

(74) *Attorney, Agent, or Firm* — Gwendoline Bruneau

(57) **CLAIM**

The ornamental design for a refuse cart, as shown and described.

DESCRIPTION

FIG. 1 is a perspective view of a refuse cart showing our new design;

FIG. 2 is a front view thereof;

FIG. 3 is a rear view thereof;

FIG. 4 is a first side view thereof;

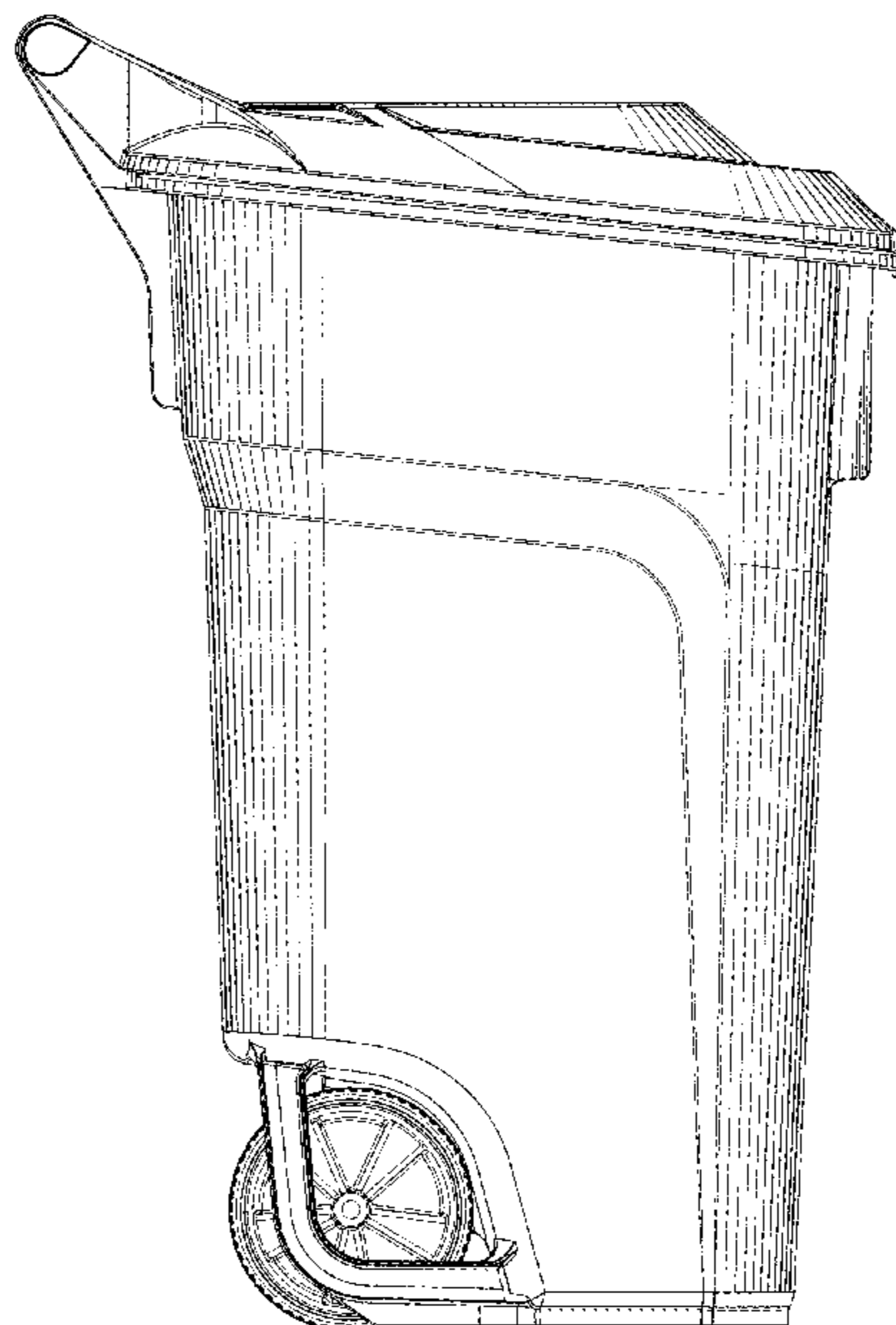
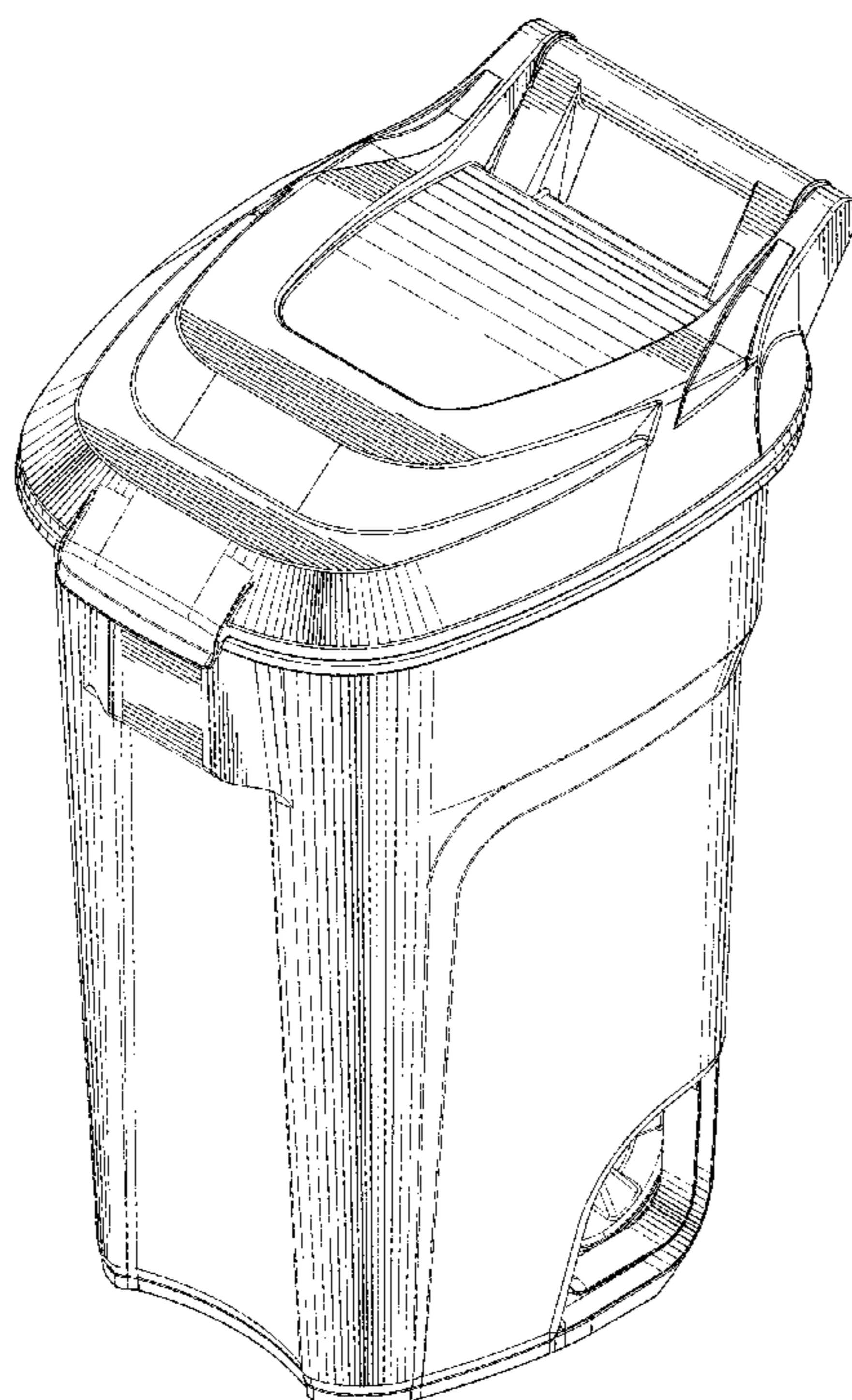
FIG. 5 is a second side view thereof;

FIG. 6 is a top view thereof; and,

FIG. 7 is a bottom view thereof.

The broken lines shown in the figures are included for the purpose of illustrating portions of the refuse cart and do not form part of the design.

1 Claim, 7 Drawing Sheets



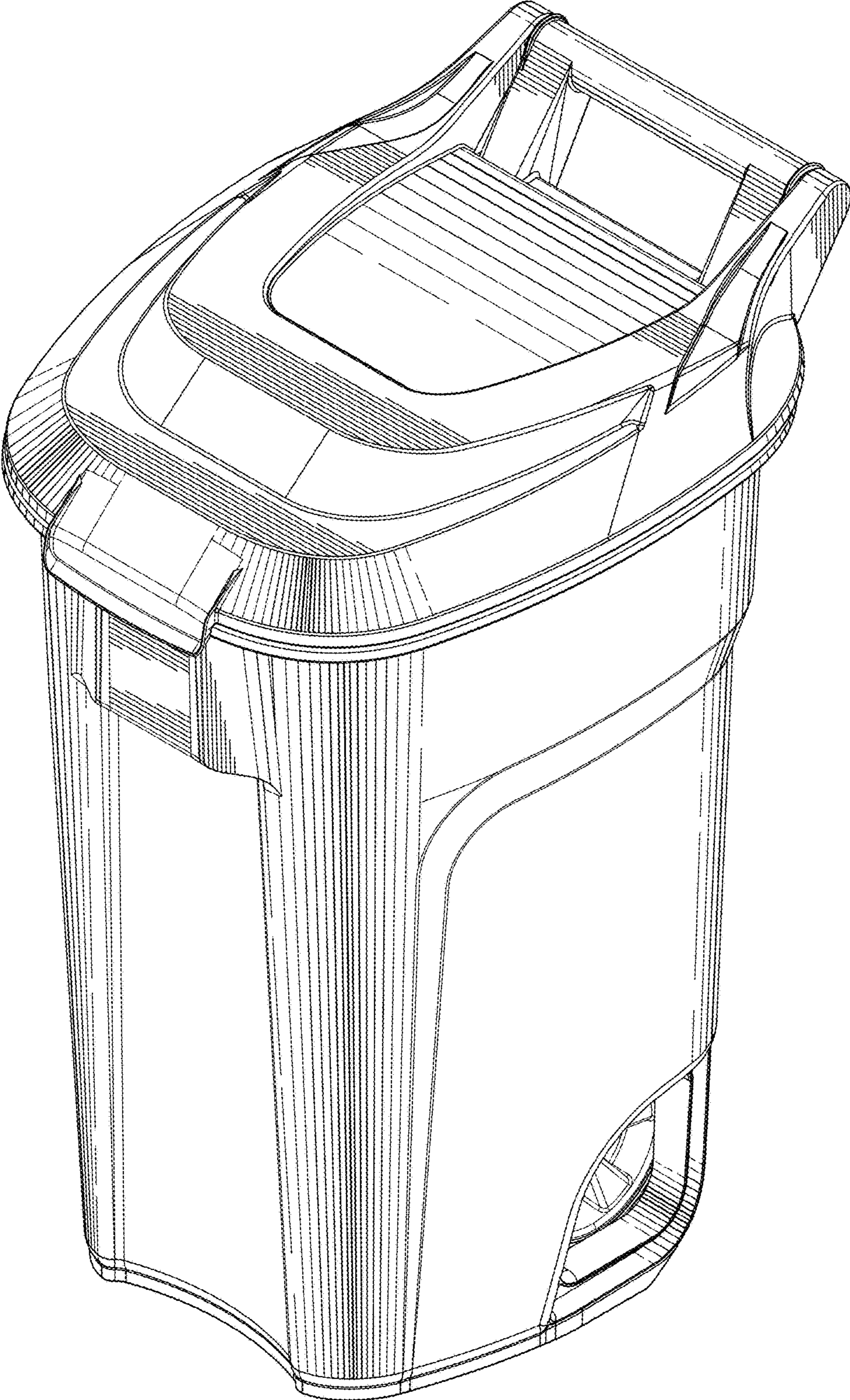


FIG. 1

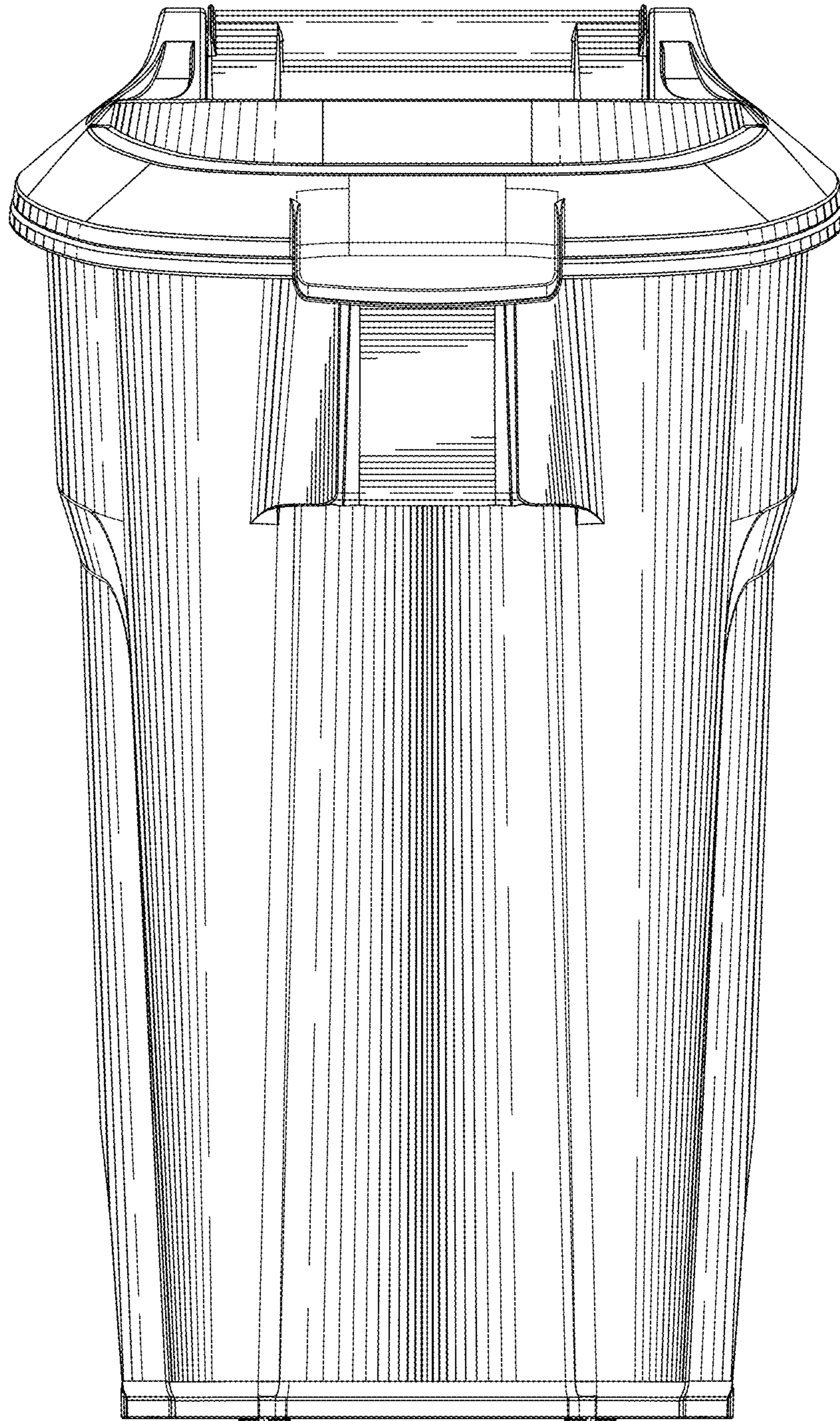


FIG. 2

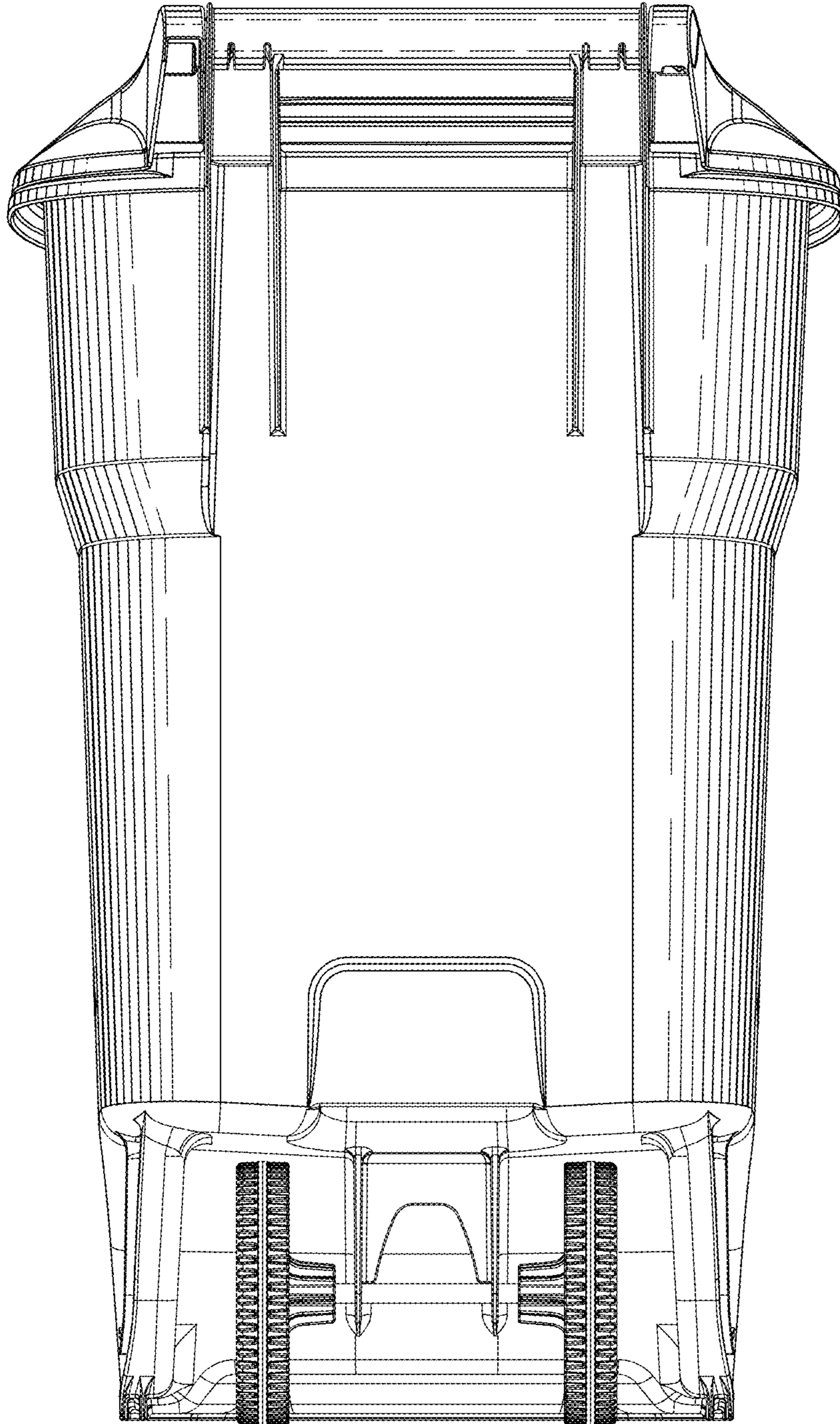


FIG. 3

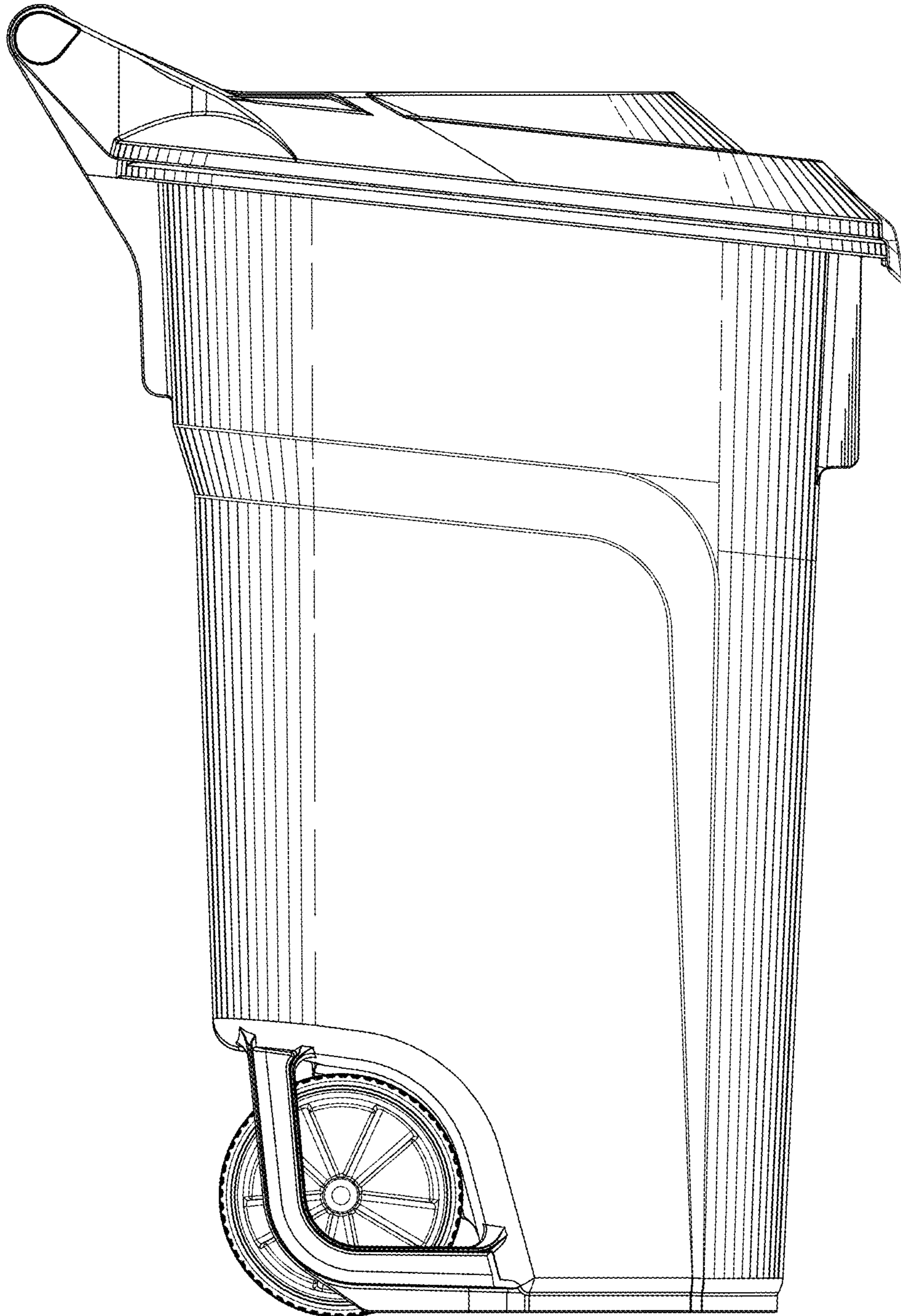


FIG. 4

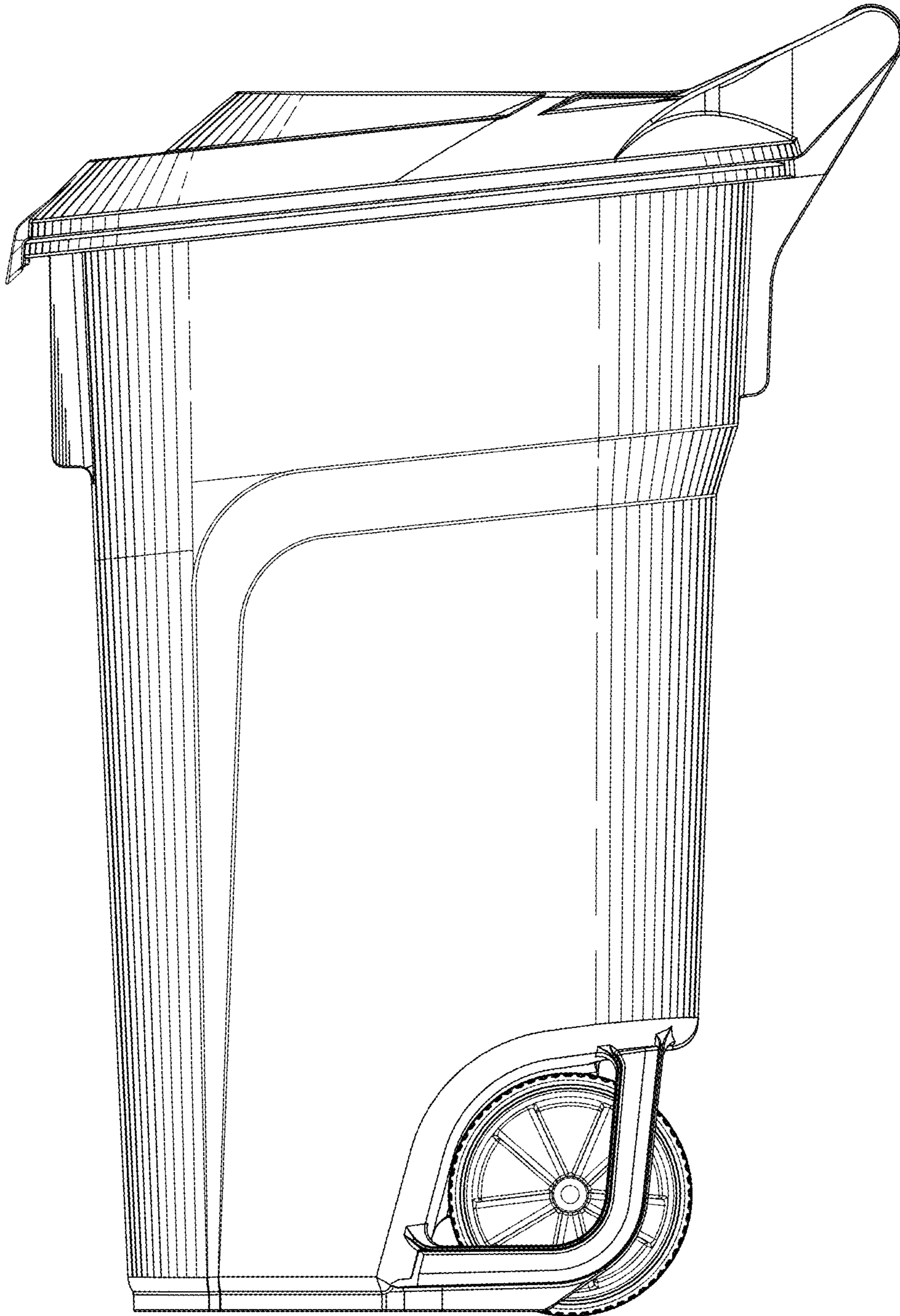


FIG. 5

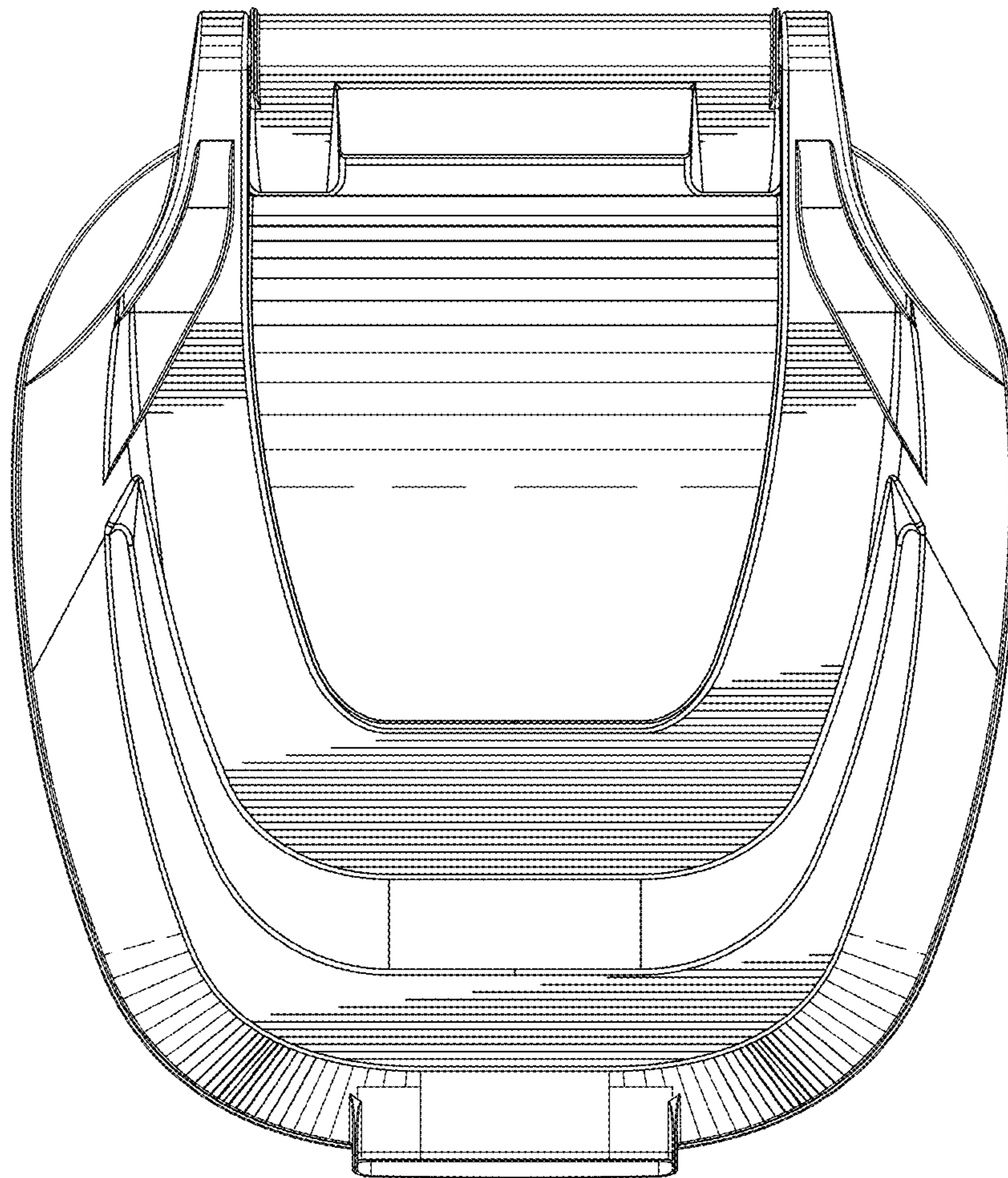


FIG. 6

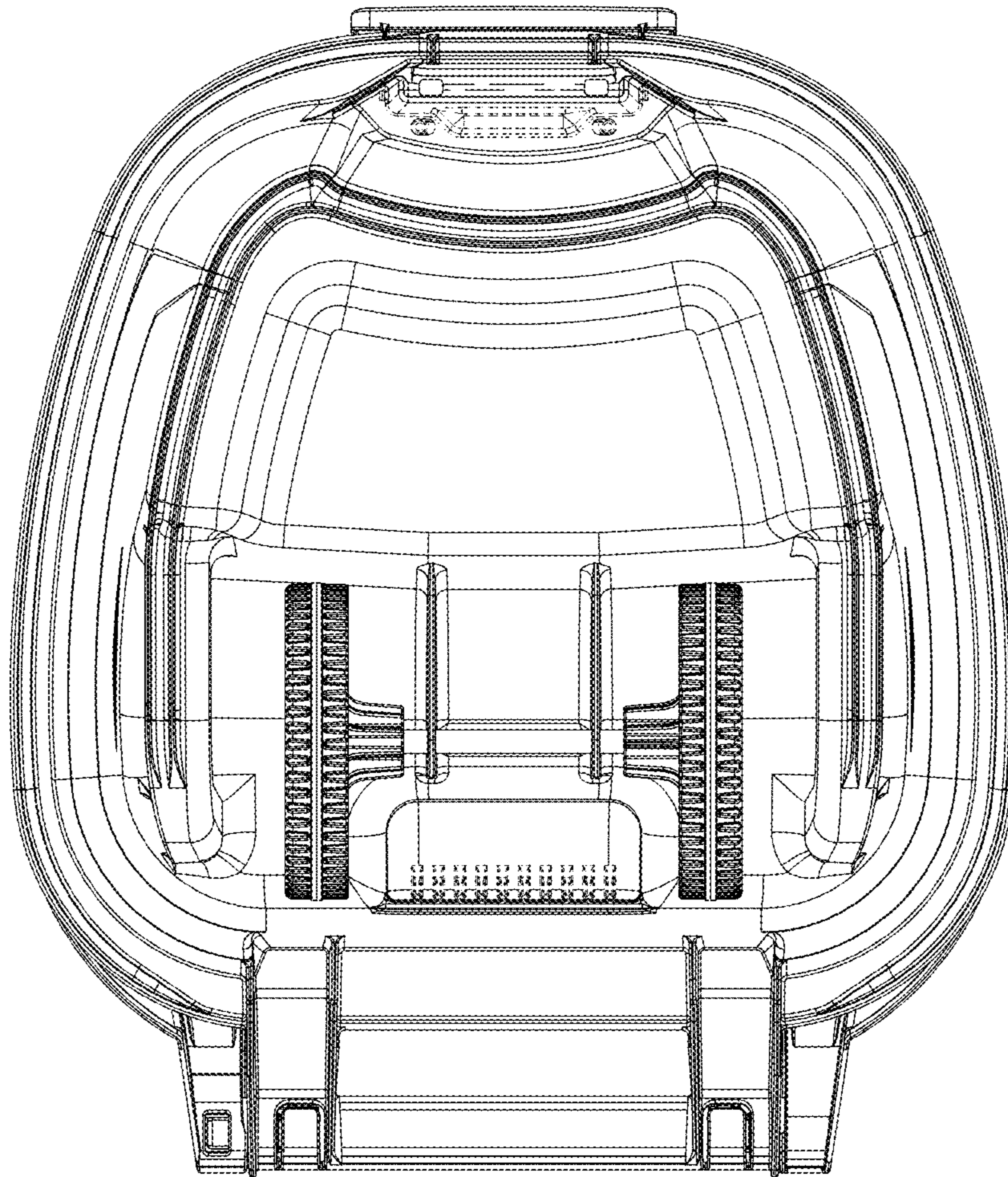


FIG. 7