



US00D789009S

(12) **United States Design Patent**  
**Zelenka**

(10) **Patent No.:** **US D789,009 S**

(45) **Date of Patent:** **\*\* Jun. 6, 2017**

(54) **TOOL BRACKET**

(71) Applicant: **John Zelenka**, Clifton, NJ (US)

(72) Inventor: **John Zelenka**, Clifton, NJ (US)

(\*\*) Term: **15 Years**

(21) Appl. No.: **29/536,485**

(22) Filed: **Aug. 17, 2015**

(51) **LOC (10) Cl.** ..... **04-01**

(52) **U.S. Cl.**  
USPC ..... **D32/50; D8/45**

(58) **Field of Classification Search**  
USPC ..... D8/14, 45; D32/40, 41, 46, 51, 52, 50  
CPC ..... E01C 19/44; E04F 21/22; A47L 13/022;  
A47L 13/20; A47L 13/24; B25B 23/16  
See application file for complete search history.

(56) **References Cited**

U.S. PATENT DOCUMENTS

3,082,460	A *	3/1963	Haivala	.....	E01C 19/44 15/144.1
3,090,066	A *	5/1963	Ferrell, Jr.	.....	E01C 19/44 15/144.1
3,939,546	A *	2/1976	Hernandez	.....	E04F 21/22 254/11
4,702,641	A *	10/1987	Naser	.....	E01C 19/44 15/235.8
5,435,610	A *	7/1995	Roberts	.....	E04F 21/22 254/11
D383,268	S *	9/1997	Uranga	.....	D32/50

5,676,489	A *	10/1997	Willhoite	.....	E01C 19/44 404/101
D412,248	S *	7/1999	Berti	.....	D32/50
6,134,739	A *	10/2000	Gonzalez	.....	B25G 3/24 15/175
D513,128	S *	12/2005	Hay	.....	D4/132
D587,079	S *	2/2009	Alred	.....	D8/45
D758,833	S *	6/2016	Stites, Jr.	.....	D8/380
2002/0124341	A1 *	9/2002	Cesak	.....	A46B 7/04 15/175

\* cited by examiner

*Primary Examiner* — Phillip S Hyder

(74) *Attorney, Agent, or Firm* — Lawrence G. Fridman, Esq.; Feigin & Fridman, LLC

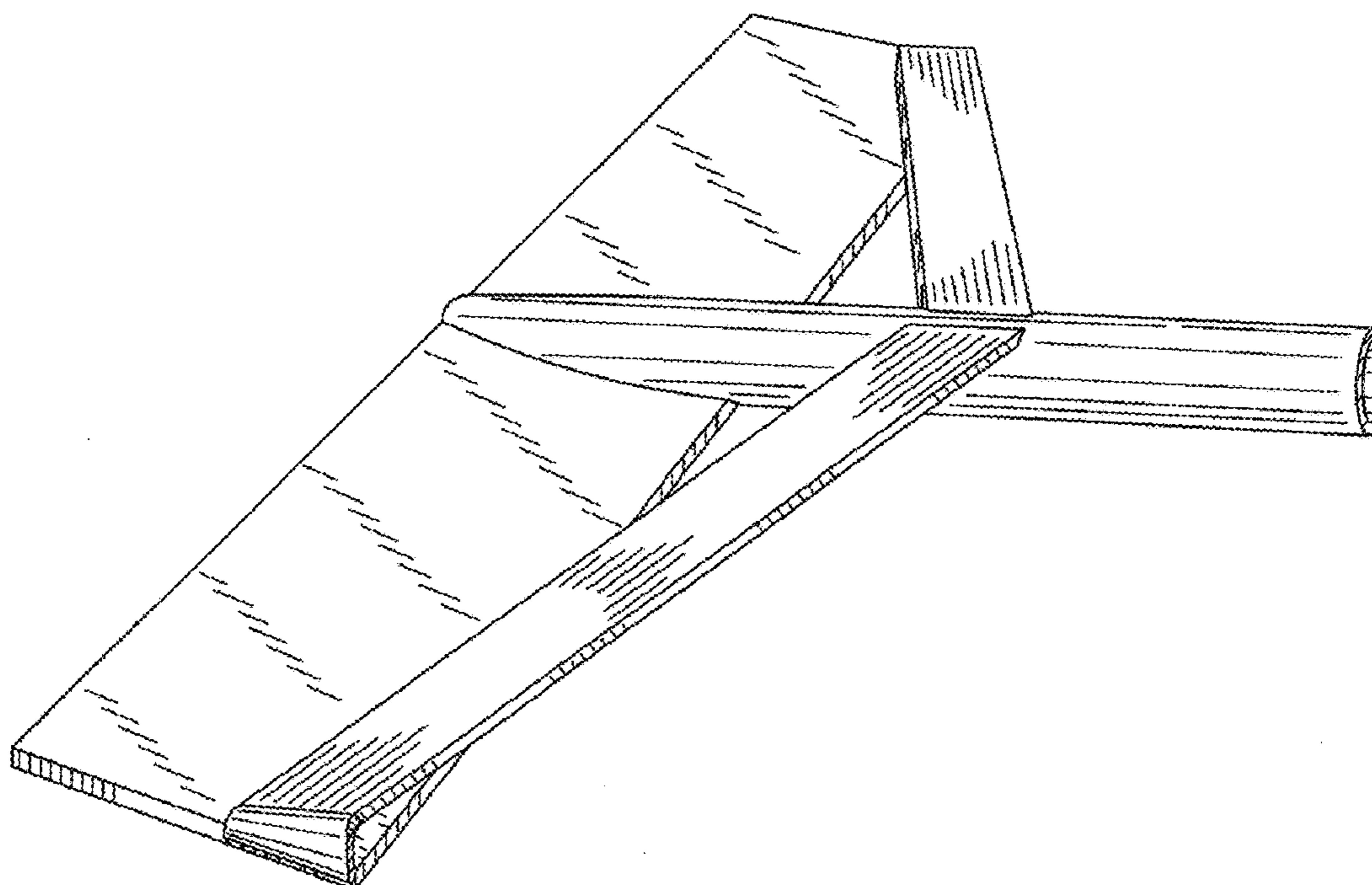
(57) **CLAIM**

The ornamental design for a tool bracket, as shown and described.

**DESCRIPTION**

FIG. 1 is one perspective view of a tool bracket according to my new design;  
FIG. 2 is another perspective view thereof;  
FIG. 3 is a front elevational view thereof;  
FIG. 4 is a top plan view thereof;  
FIG. 5 is a bottom plan view thereof;  
FIG. 6 is a rear elevational view thereof;  
FIG. 7 is one side elevational view thereof; and,  
FIG. 8 is another side elevational view thereof.  
The broken lines in FIGS. 2 are provided for environmental purposes only and form no part of the claimed design.

**1 Claim, 4 Drawing Sheets**



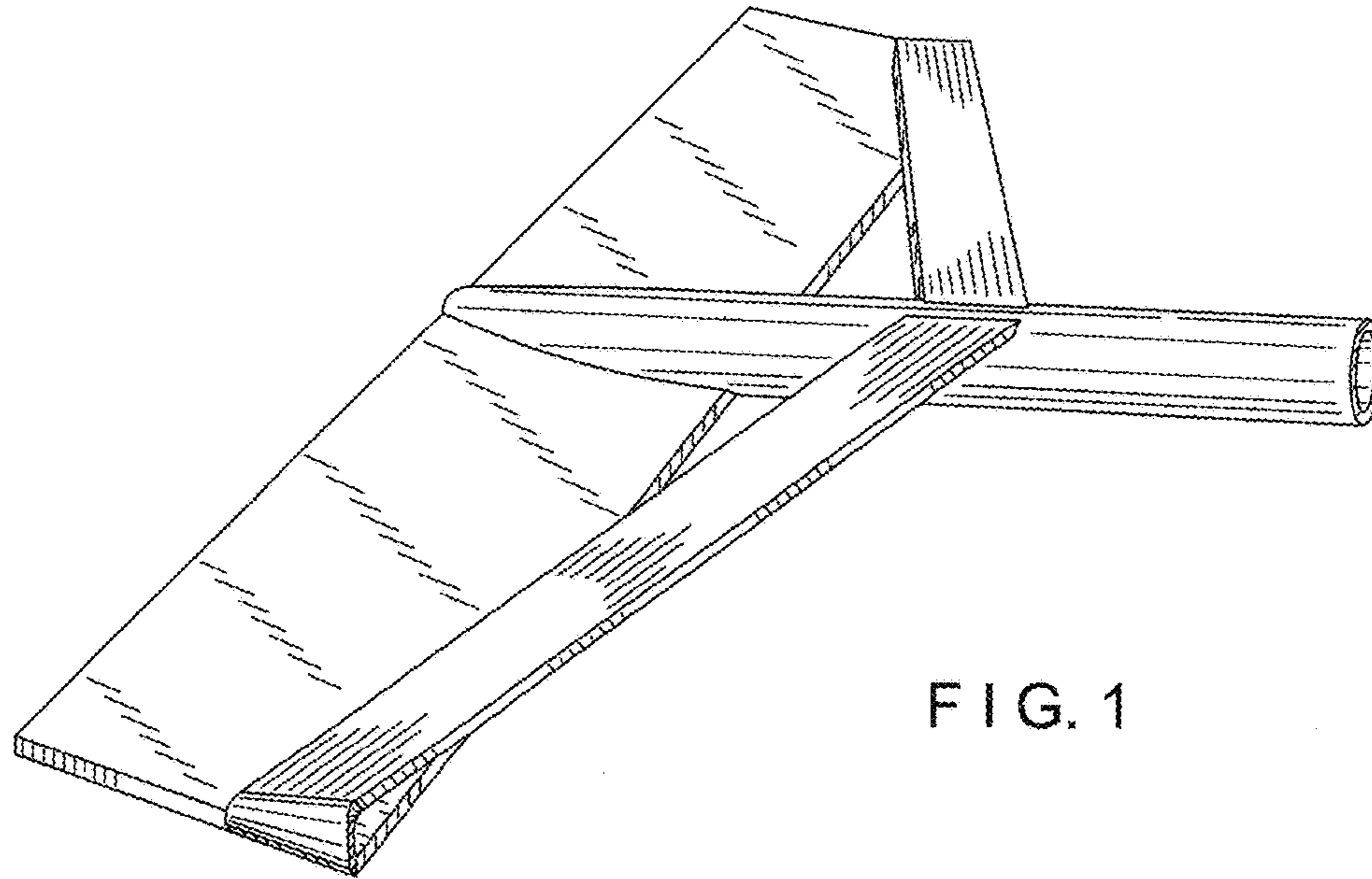


FIG. 1

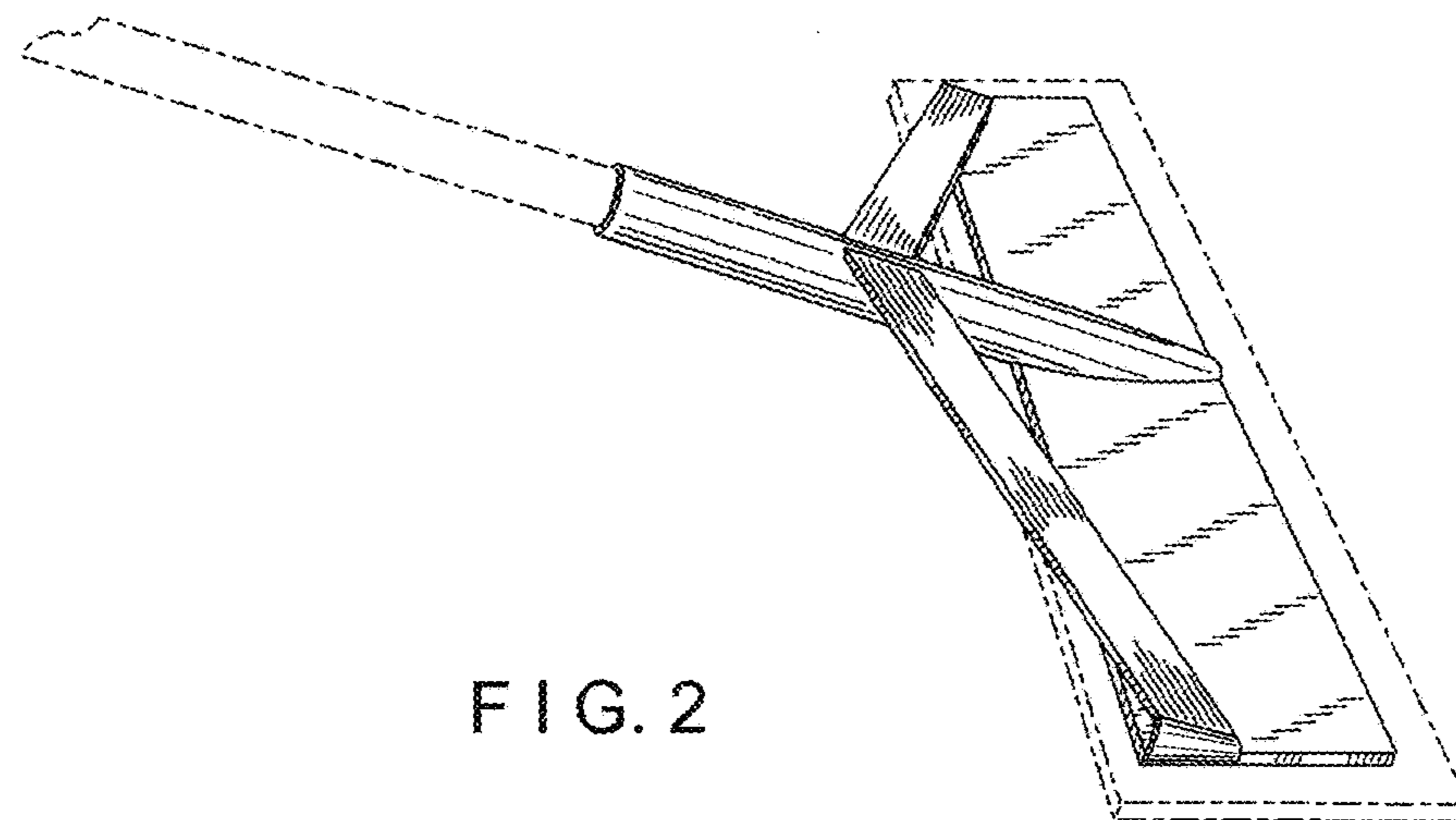


FIG. 2

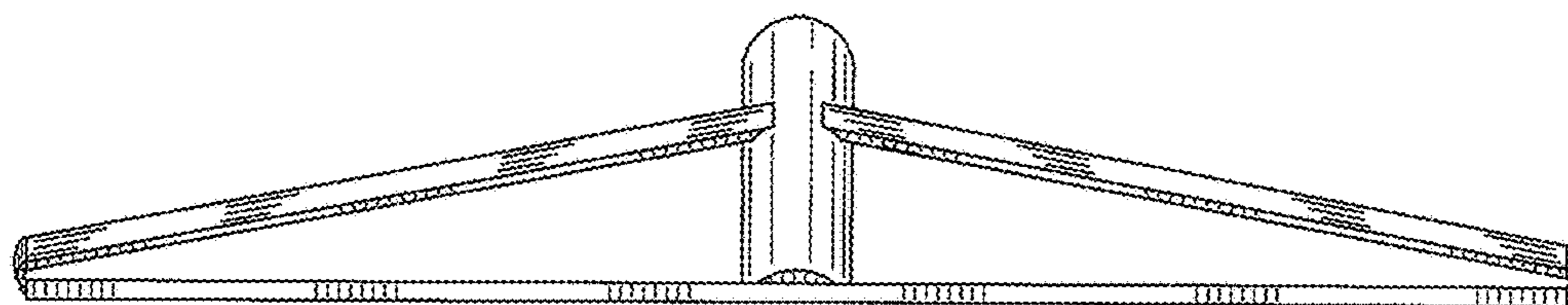


FIG. 3

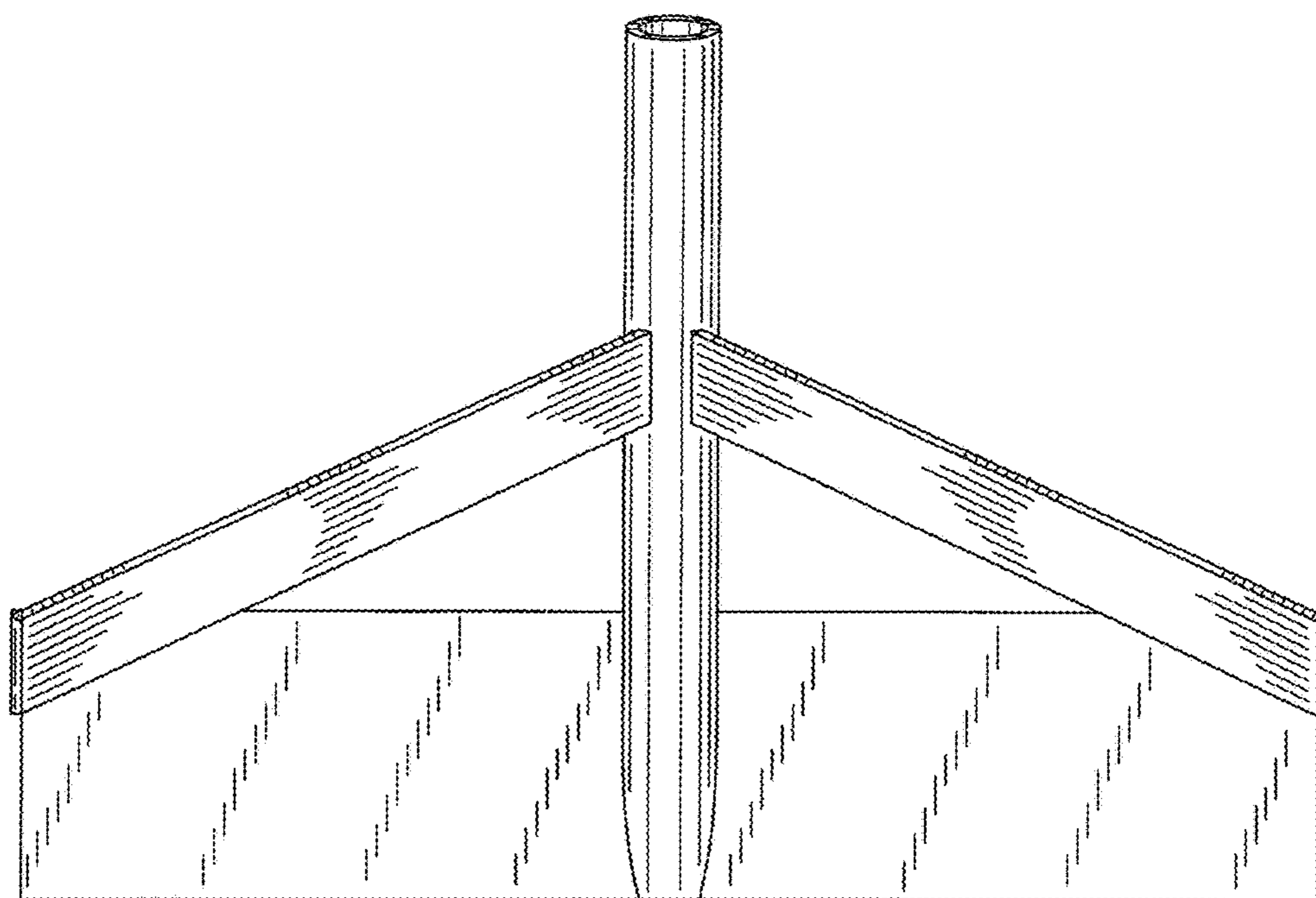


FIG. 4

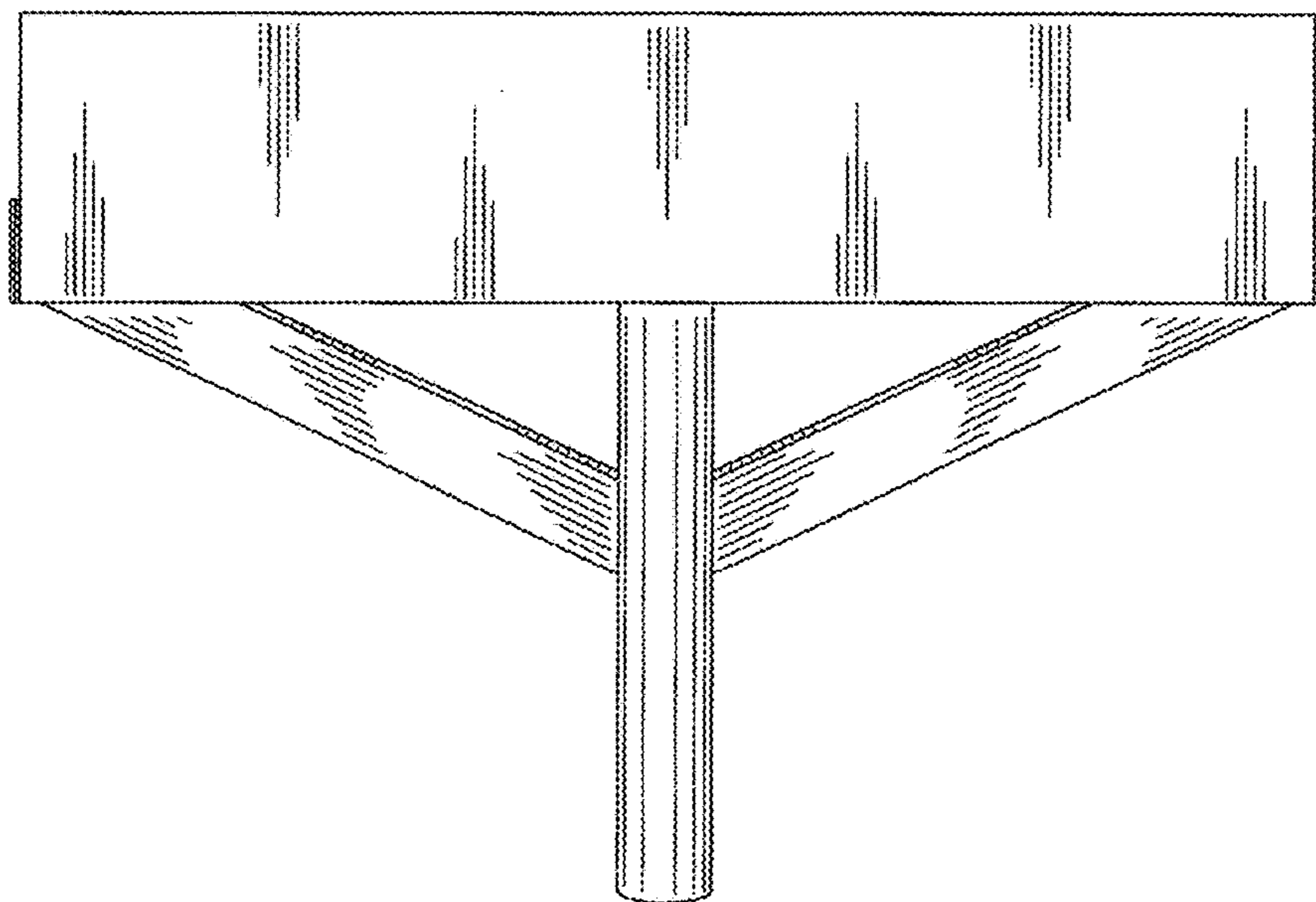


FIG. 5

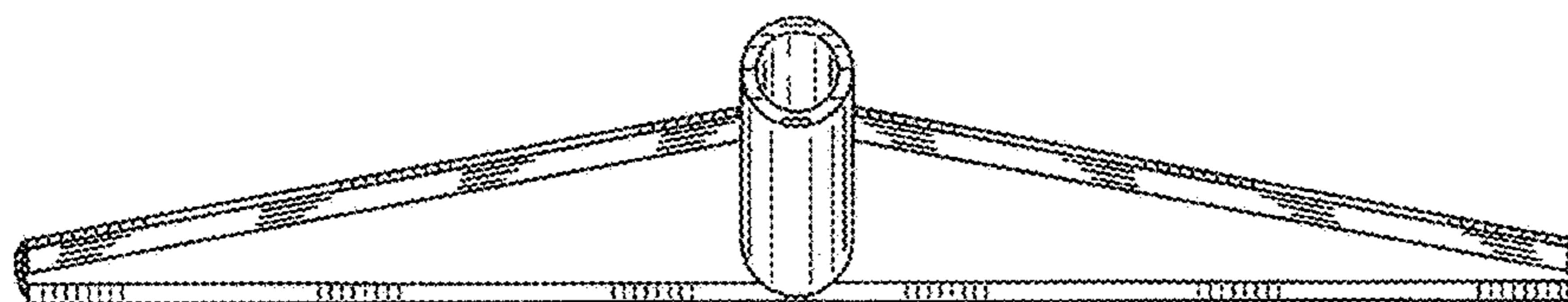


FIG. 6



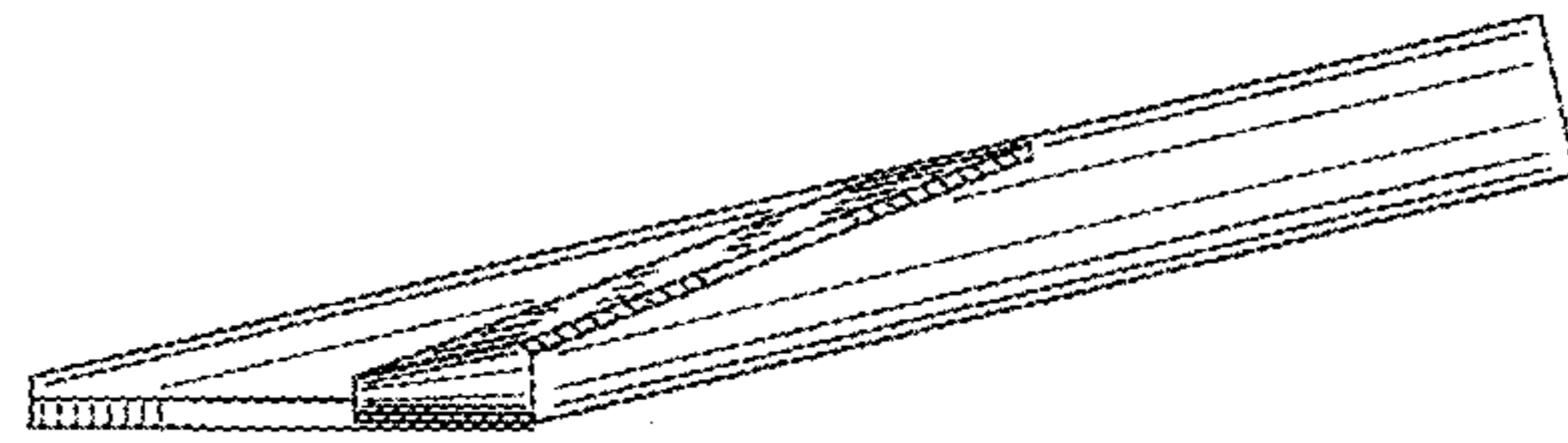


FIG. 7

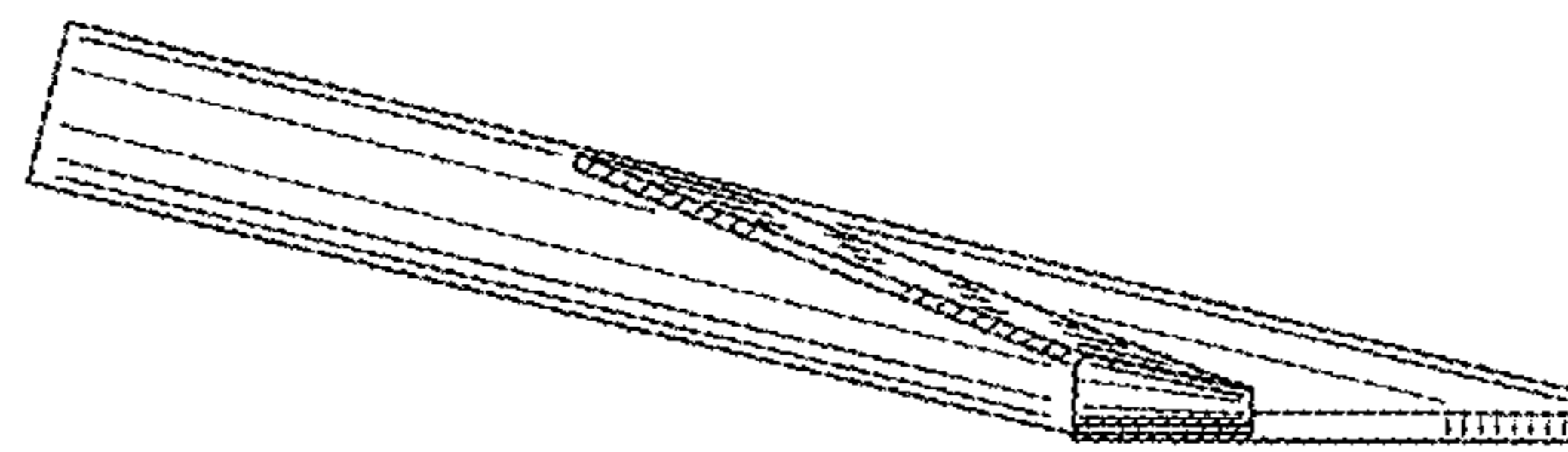


FIG. 8