



US00D789008S

(12) **United States Design Patent**
Swartz

(10) **Patent No.:** **US D789,008 S**

(45) **Date of Patent:** **** Jun. 6, 2017**

(54) **STICK FOR CLEANING THE LIP OF A PAINT CAN**

(71) Applicant: **Darian W Swartz, Vernon (CA)**

(72) Inventor: **Darian W Swartz, Vernon (CA)**

(**) Term: **14 Years**

(21) Appl. No.: **29/504,249**

(22) Filed: **Oct. 3, 2014**

(51) **LOC (10) Cl.** **08-99**

(52) **U.S. Cl.**
USPC **D32/35**

(58) **Field of Classification Search**
USPC D32/35, 40, 42, 46, 49; 15/236.04,
15/236.01, 236.09, 236.05, 236.07,
15/236.08

CPC B44D 3/116; B44D 3/164; B44D 3/00
See application file for complete search history.

(56) **References Cited**

U.S. PATENT DOCUMENTS

- 2,524,475 A * 10/1950 Renz B01F 13/002
15/105
- 2,634,497 A * 4/1953 Waldesbuehl A47G 21/04
15/236.08
- 2,652,582 A * 9/1953 McCroba B08B 9/08
15/104.02
- 2,777,676 A * 1/1957 Carter B01F 13/002
15/236.09

- 3,604,047 A * 9/1971 Hennigan B44D 3/162
15/236.09
- 4,628,563 A * 12/1986 Kramer B44D 3/162
15/105
- D307,862 S * 5/1990 Masotta D32/46
- 5,555,592 A * 9/1996 Crego B44D 3/162
15/104.8
- 6,105,200 A * 8/2000 Cooper B08B 1/00
15/105
- D527,855 S * 9/2006 Williams D32/49
- D695,981 S * 12/2013 Myoung D32/46

* cited by examiner

Primary Examiner — Susan Bennett Hattan

Assistant Examiner — Rebecca Tsehaye

(74) *Attorney, Agent, or Firm* — Antony C. Edwards

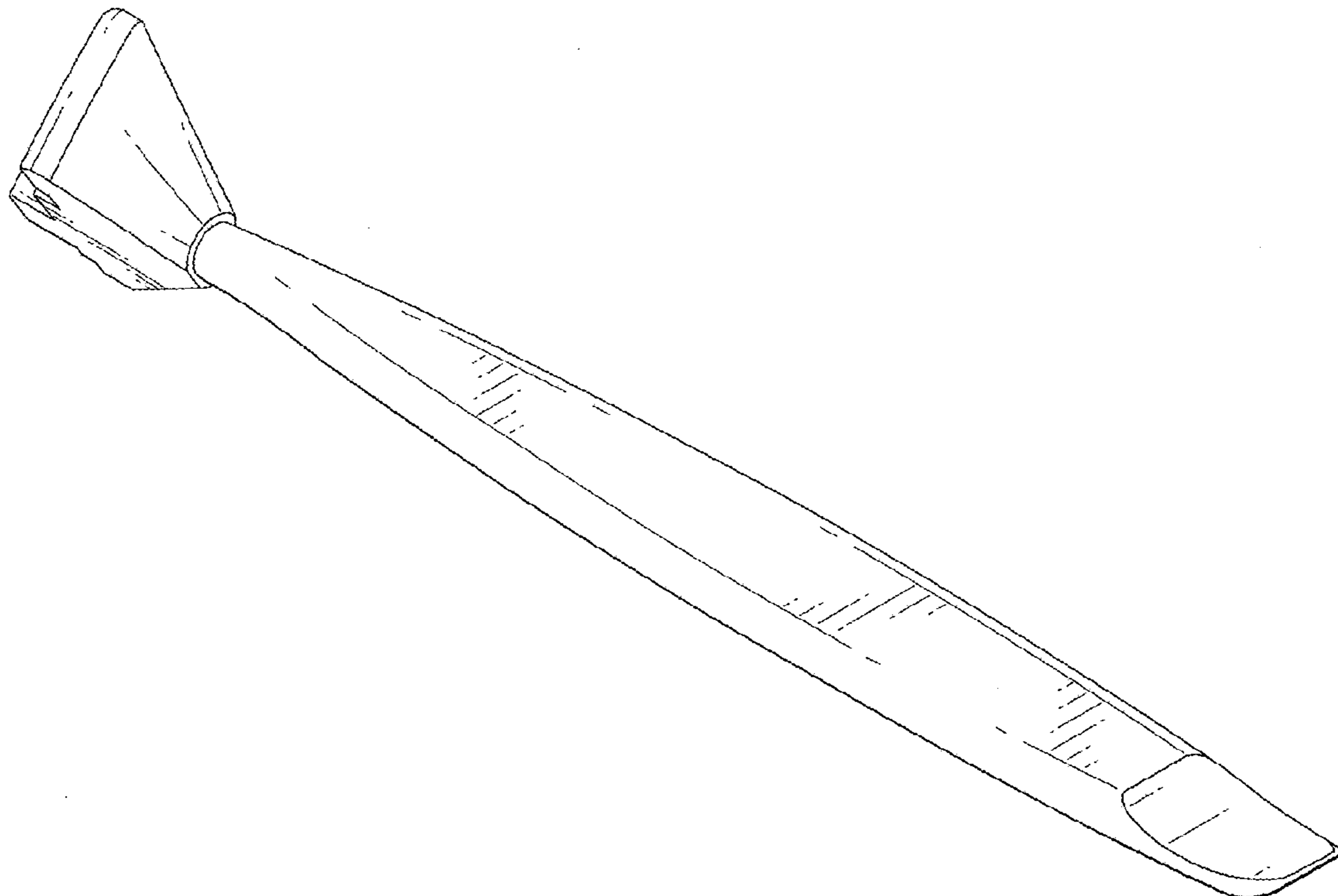
(57) **CLAIM**

The ornamental design for a stick for cleaning the lip of a paint can, as shown and described.

DESCRIPTION

FIG. 1 is a front perspective view showing my new design of a stick for cleaning the lip of a paint can.
 FIG. 2 is a left side view thereof;
 FIG. 3 is a right side view thereof;
 FIG. 4 is a front elevation view thereof;
 FIG. 5 is a rear elevation view thereof;
 FIG. 6 is a bottom view thereof;
 FIG. 7 is a top view thereof; and,
 FIG. 8 is a second perspective view showing the opposite side thereof.

1 Claim, 4 Drawing Sheets



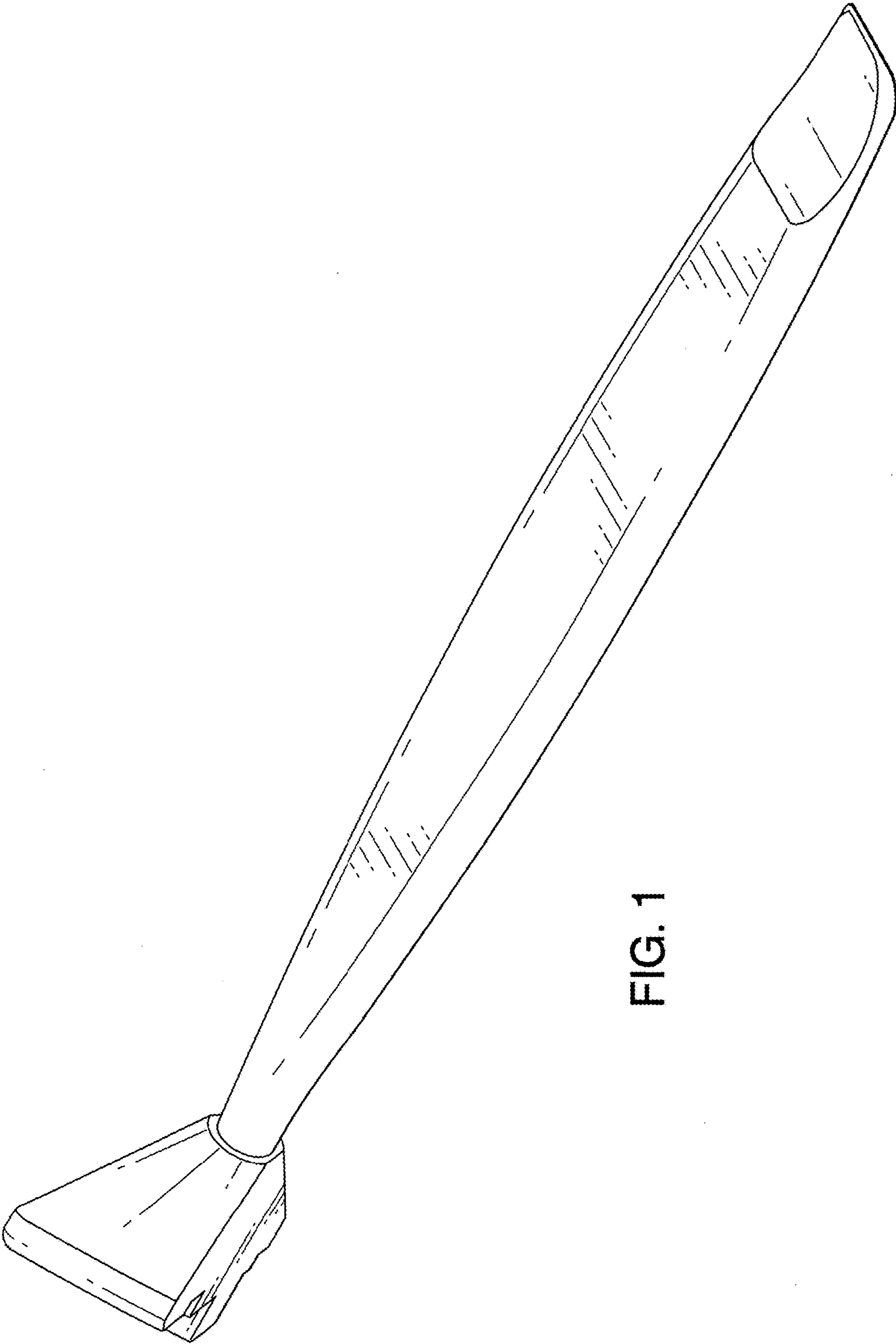


FIG. 1

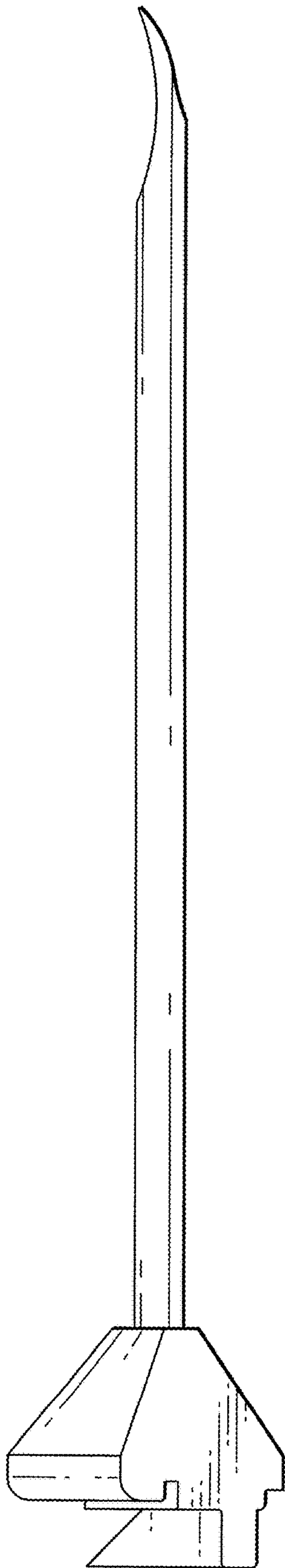


FIG. 2

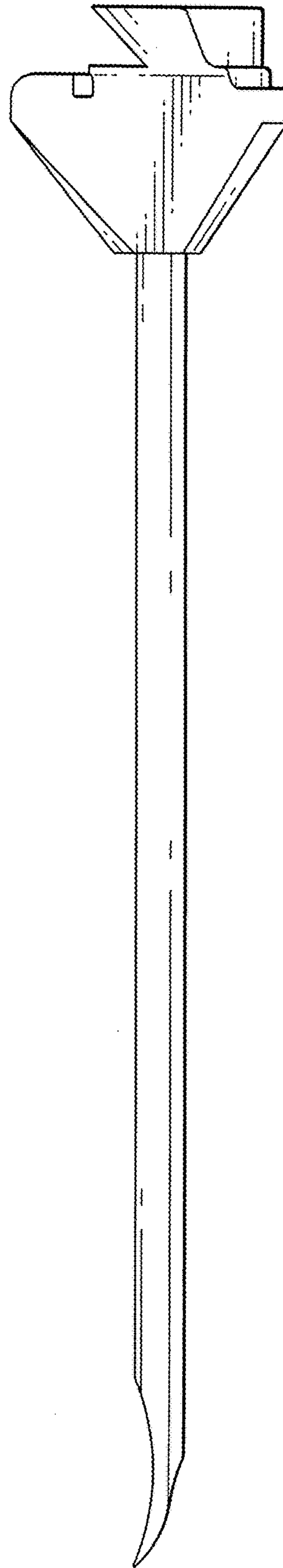


FIG. 3

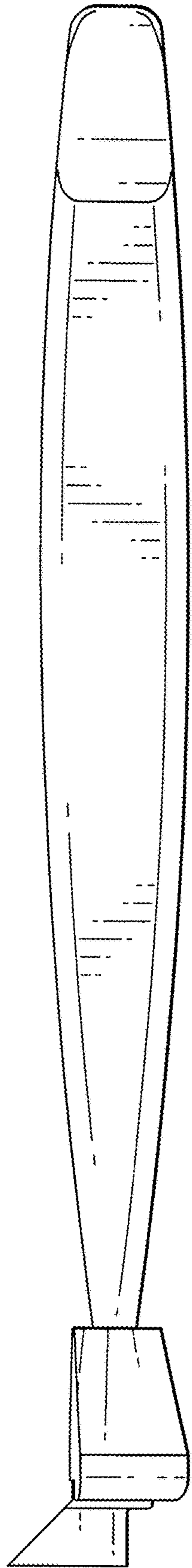


FIG. 4

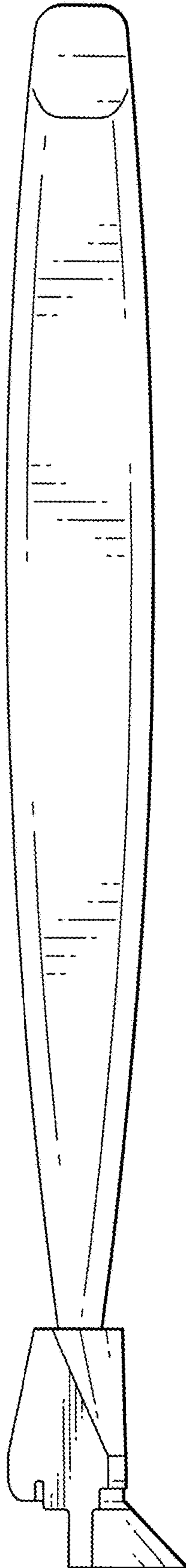


FIG. 5

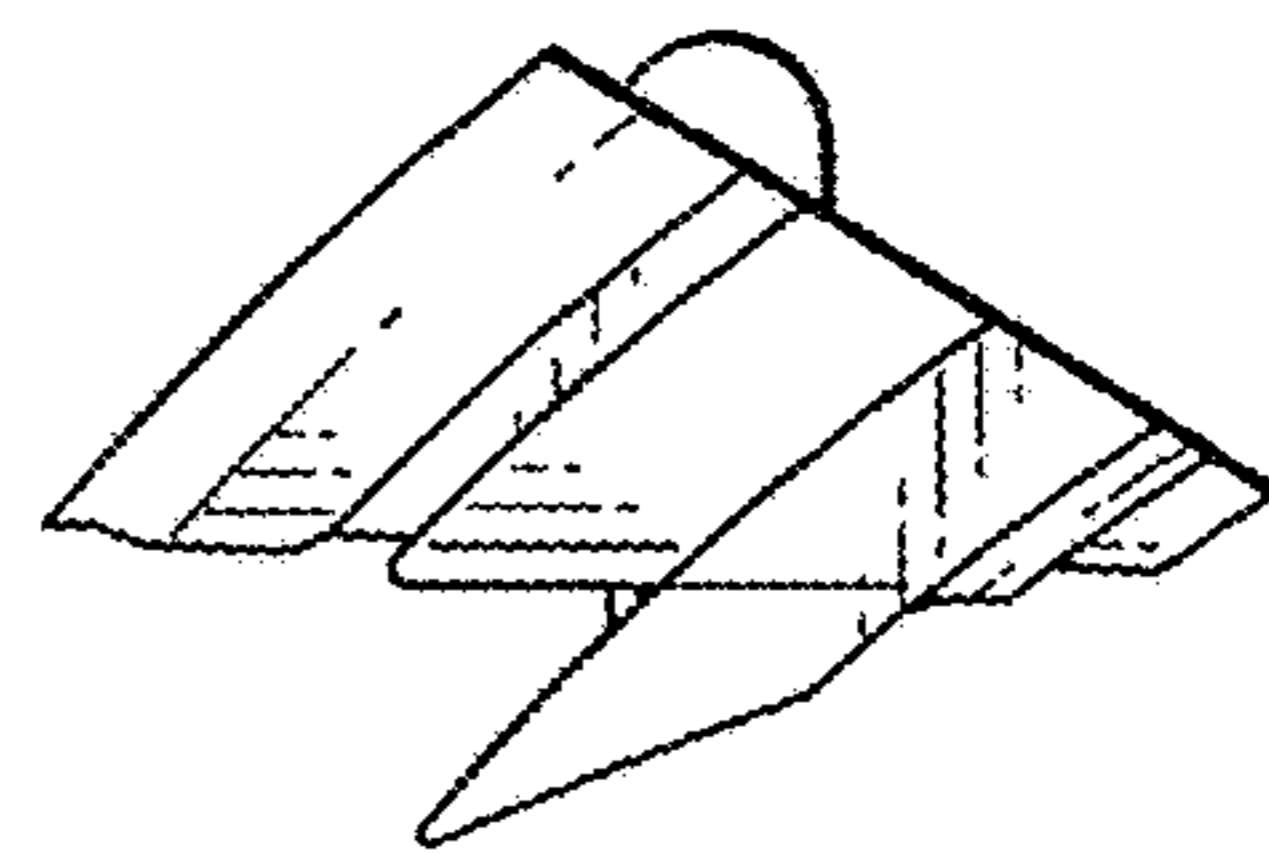


FIG. 6

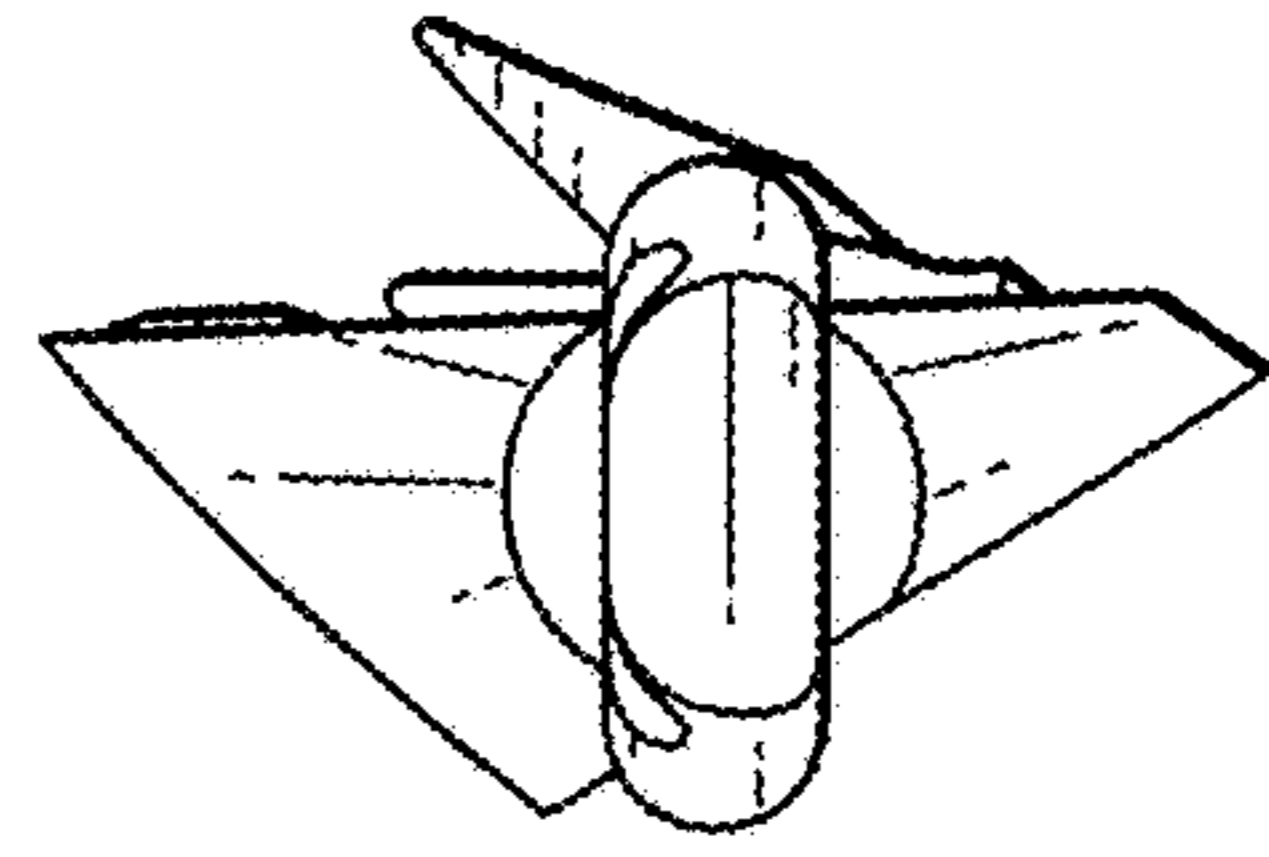


FIG. 7

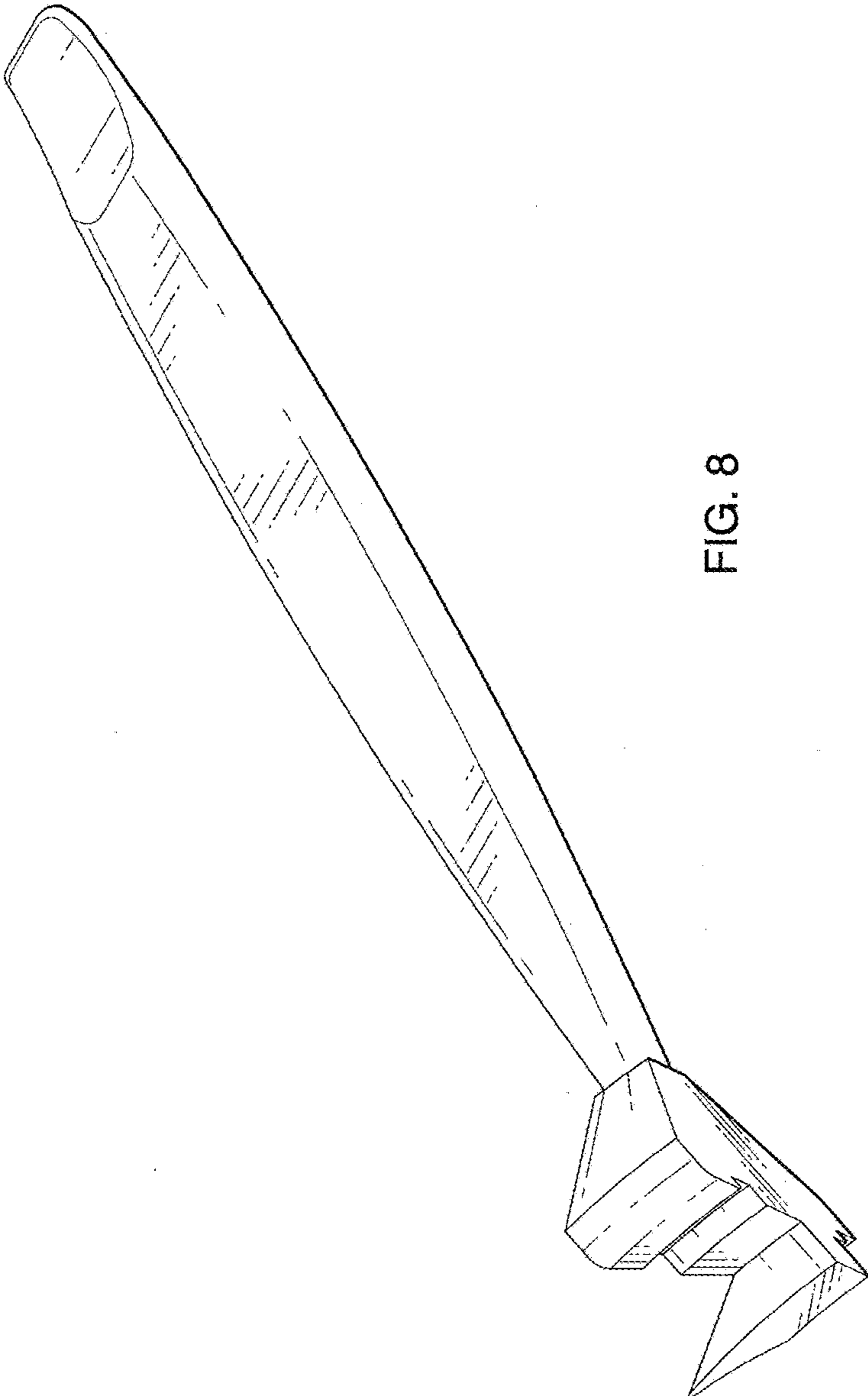


FIG. 8