



US00D789007S

(12) **United States Design Patent**
Jang et al.

(10) **Patent No.:** **US D789,007 S**

(45) **Date of Patent:** **** Jun. 6, 2017**

(54) **INTAKE FOR CLEANER**

(71) Applicant: **Samsung Electronics Co., Ltd.**,
Suwon-si, Gyeonggi-do (KR)

(72) Inventors: **Jaeho Jang**, Seoul (KR); **Kyungtae Kim**, Seoul (KR); **Youngjin Kim**,
Gunpo-si (KR); **Yeonyoung Nam**,
Goyang-si (KR)

(73) Assignee: **SAMSUNG ELECTRONICS CO., LTD.**,
Gyeonggi-Do (KR)

(**) Term: **15 Years**

(21) Appl. No.: **29/539,238**

(22) Filed: **Sep. 11, 2015**

(30) **Foreign Application Priority Data**

Mar. 12, 2015 (KR) 30-2015-0012588

(51) **LOC (10) Cl.** **15-05**

(52) **U.S. Cl.**
USPC **D32/32**

(58) **Field of Classification Search**
USPC D32/31-33, 17
CPC .. D06F 87/00; A47L 5/24; A47L 11/34; A47L
11/4044; A47L 11/4086; A47L 9/02;
A47L 9/0461; A47L 9/0693; A47L 9/06;
A47L 7/009

See application file for complete search history.

(56) **References Cited**

U.S. PATENT DOCUMENTS

D333,539 S * 2/1993 Kramer D32/32
D443,120 S 5/2001 Choi
D507,854 S * 7/2005 Kim D32/32
D518,932 S * 4/2006 Maruyama D32/32
D556,963 S * 12/2007 Houghton D32/32

D643,168 S * 8/2011 Dyson D32/32
D649,725 S * 11/2011 Fjellman D32/32
D698,510 S * 1/2014 Chu D32/32
D706,504 S * 6/2014 Park D32/33
D740,507 S * 10/2015 Chu D32/32
D741,559 S * 10/2015 Marsden D32/32

FOREIGN PATENT DOCUMENTS

KR 300360565 8/2004
KR 300394958 10/2005

OTHER PUBLICATIONS

Dyson Flatout Head Tool [online] Amazon. [retrieved on Sep. 11, 2015] 1 Page. Retrieved from the Internet: <URL: http://www.amazon.ca/Flatout-Head-Tool-Dyson/dp/B002SYJO80.

Dyson Flatout Head Tool [online] LC-V60AT. [retrieved on Sep. 11, 2015] pp. 1-2. Retrieved from the Internet: <URL: http://item2.gmarket.co.kr/Item/DetailView/Item.aspx?goodscode=318489542.

* cited by examiner

Primary Examiner — Ruth McInroy

(74) *Attorney, Agent, or Firm* — Cantor Colburn LLP

(57) **CLAIM**

The ornamental design for an intake for cleaner, as shown and described.

DESCRIPTION

FIG. 1 is a front perspective view of an intake for cleaner, showing our new design;

FIG. 2 is a front view thereof;

FIG. 3 is a rear view thereof;

FIG. 4 is a side view thereof;

FIG. 5 is another side view thereof; and,

FIG. 6 is a top view thereof.

The broken lines illustrating portions of the intake for cleaner form no part of the claimed design.

1 Claim, 6 Drawing Sheets

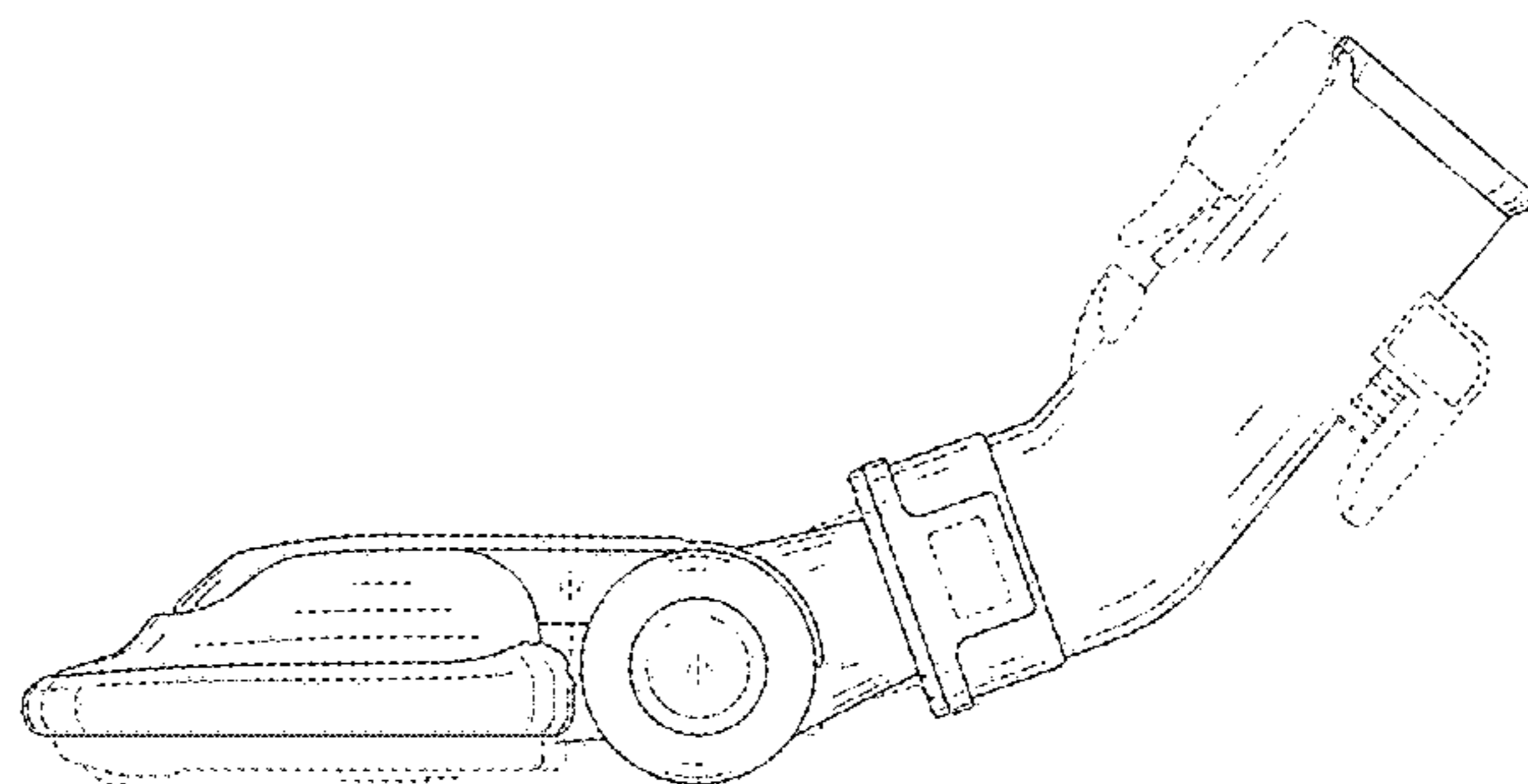
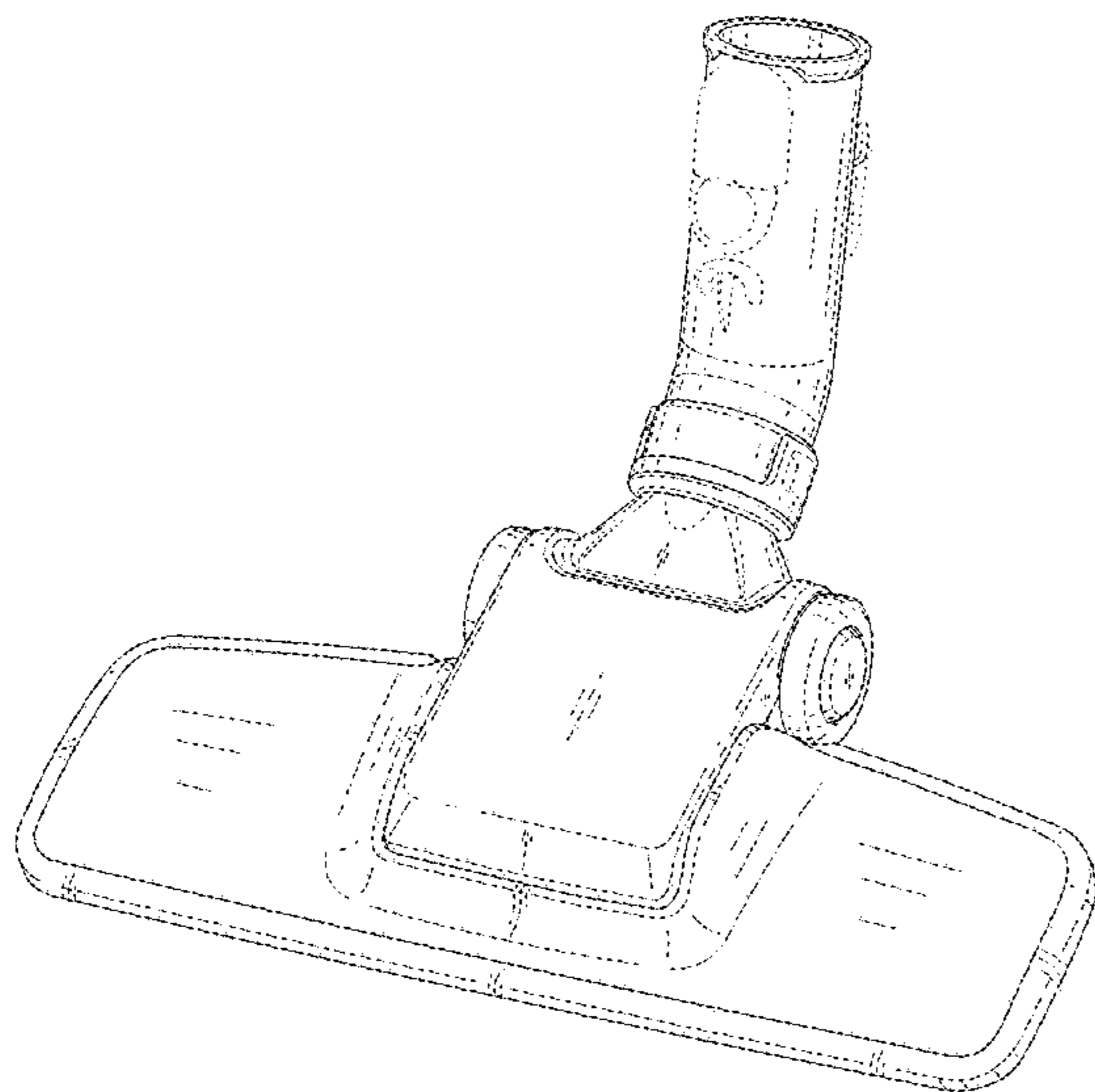


FIG. 1

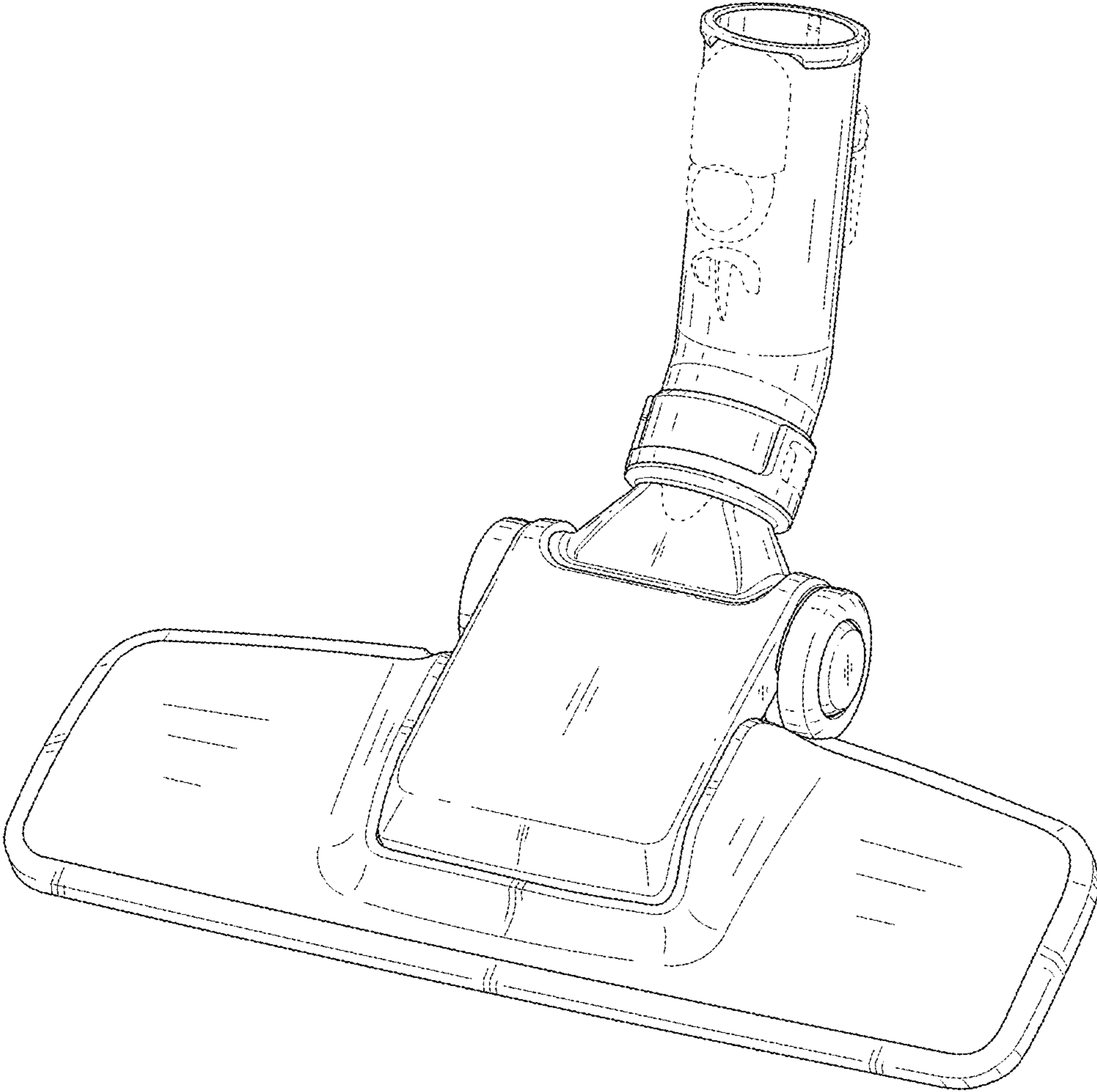


FIG. 2

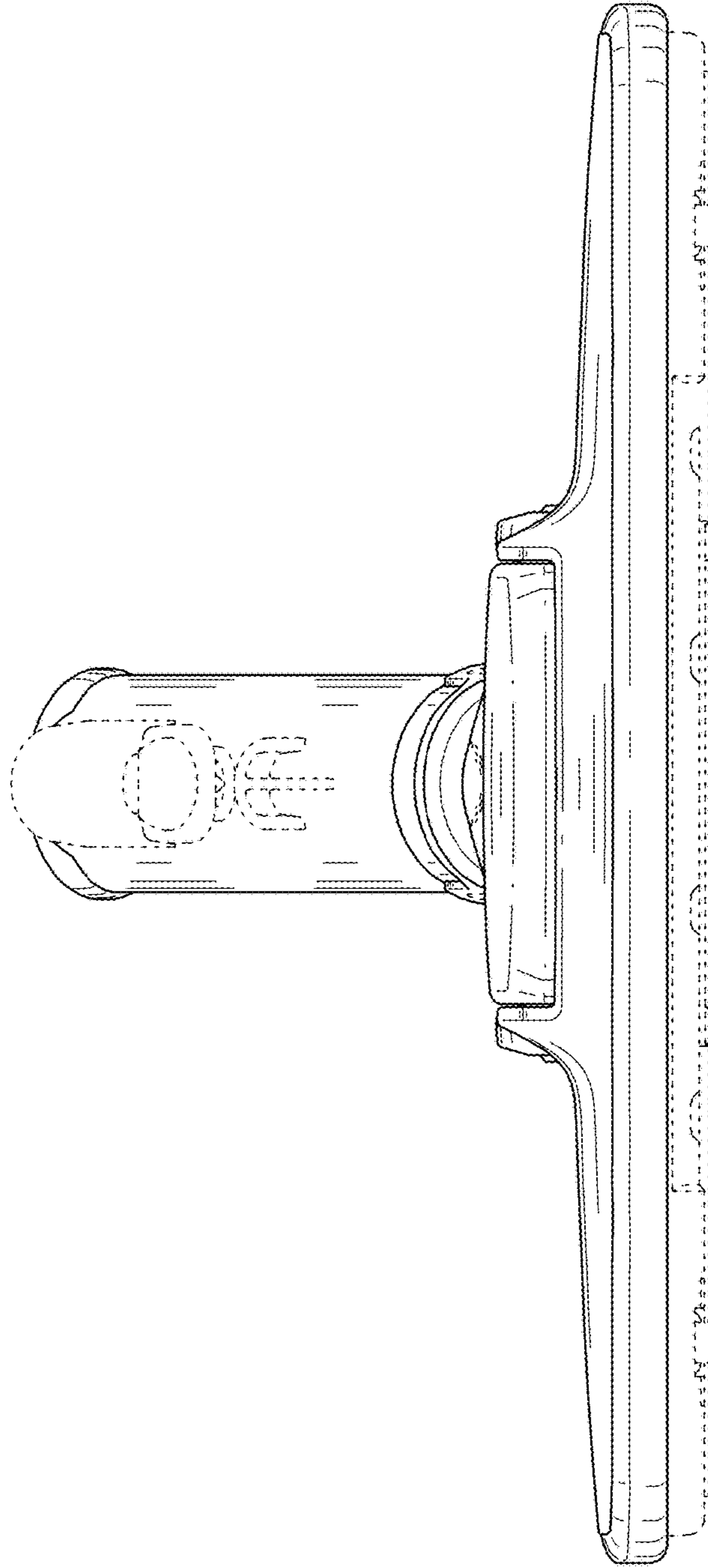


FIG. 3

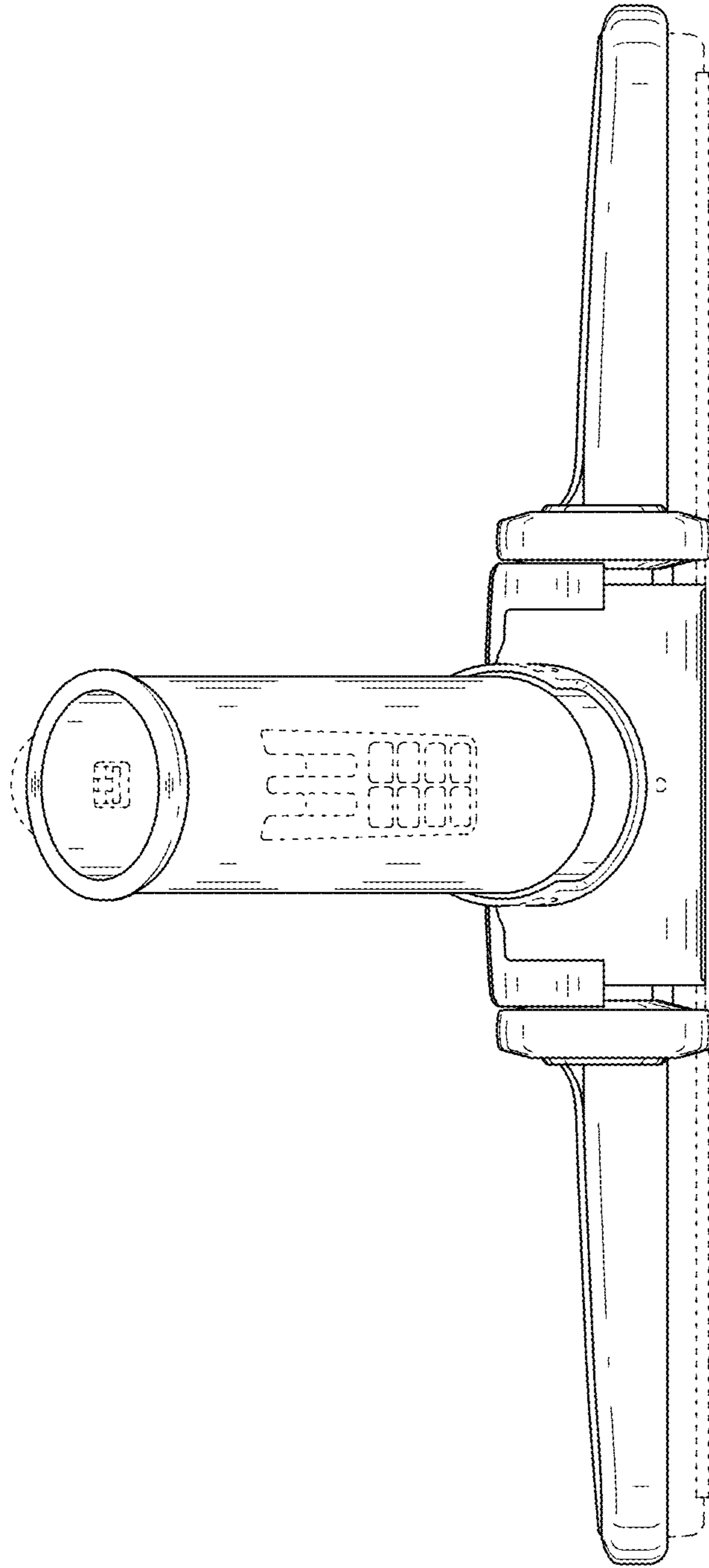


FIG. 4

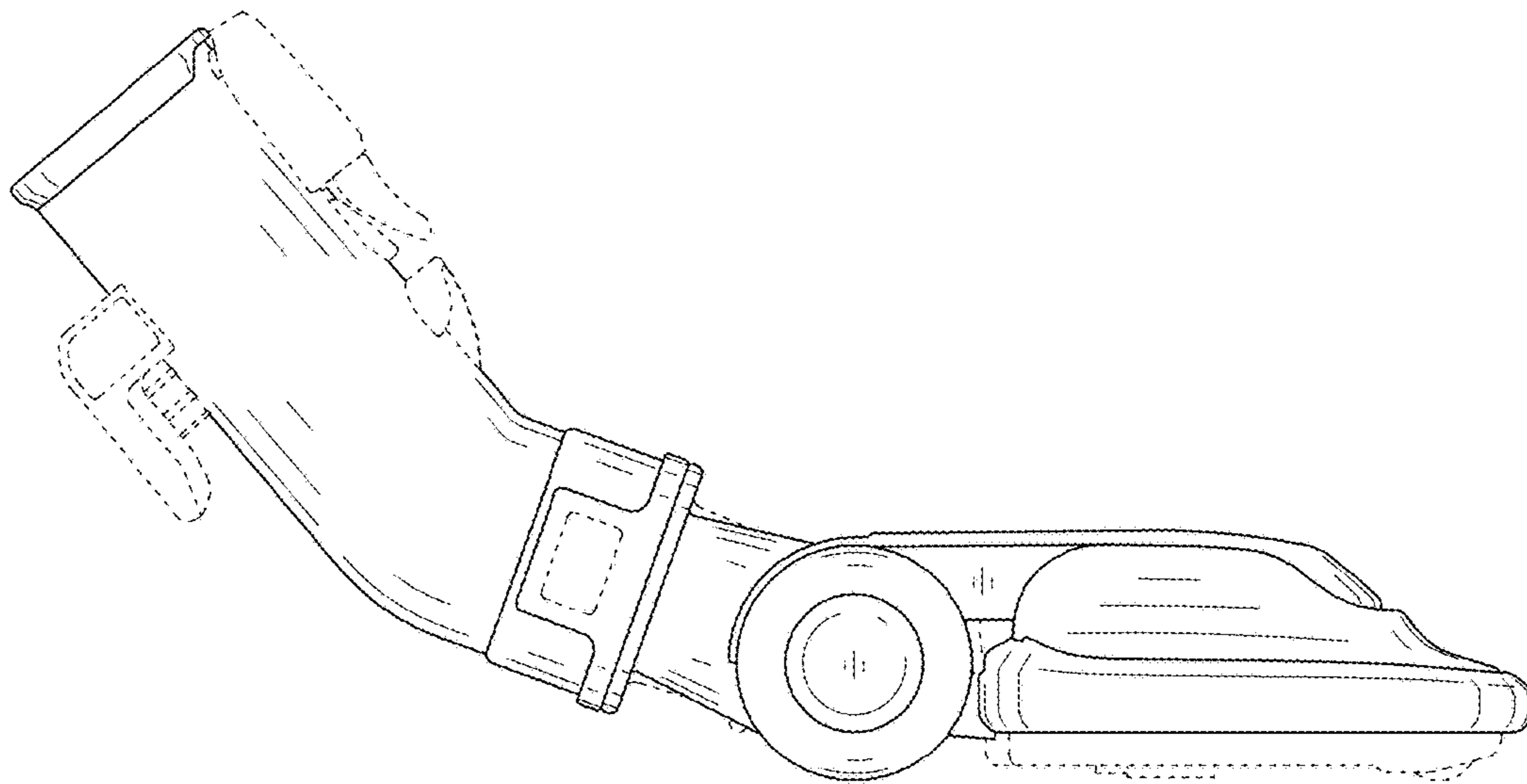


FIG. 5

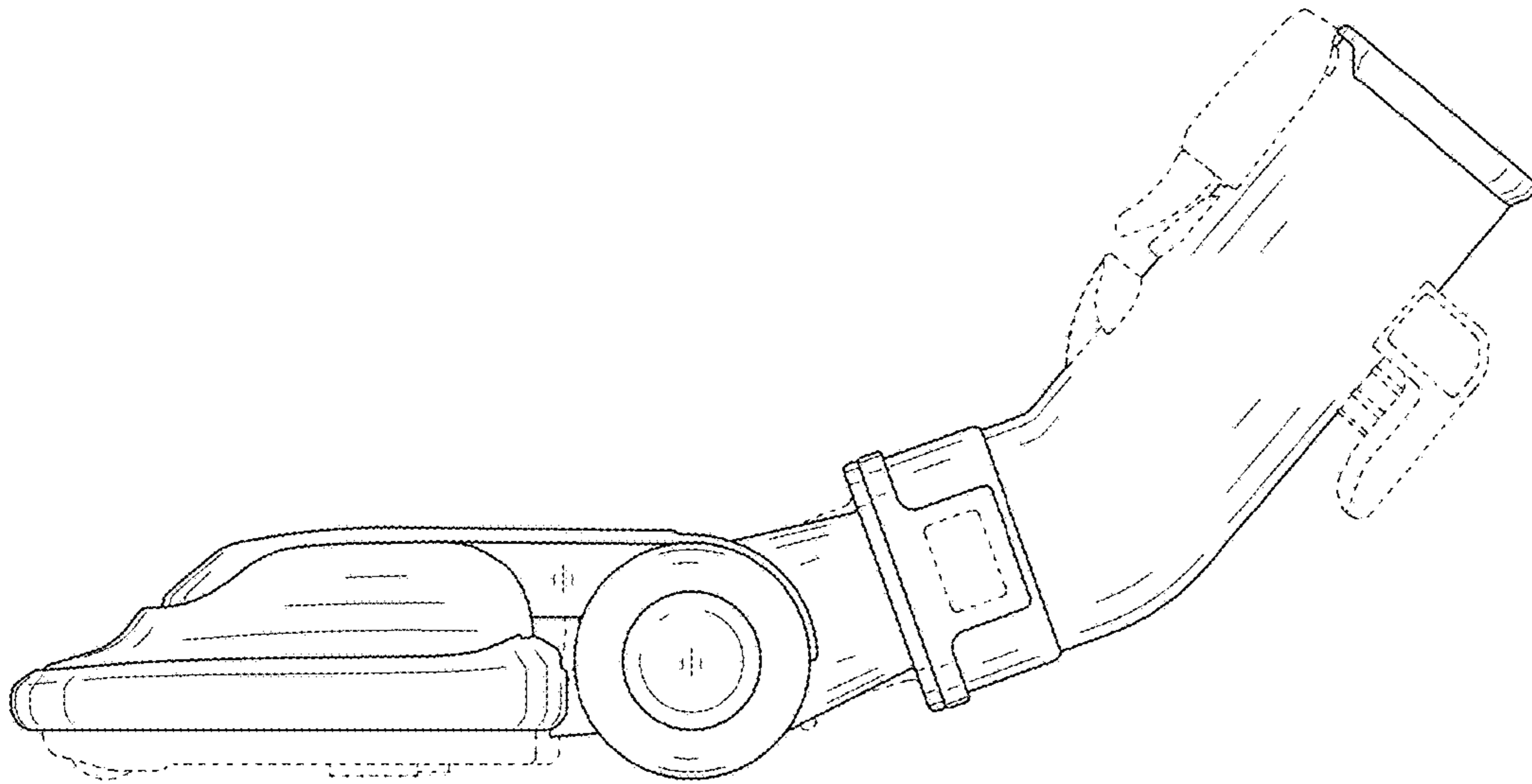


FIG. 6

