



US00D789006S

(12) **United States Design Patent** (10) **Patent No.:** **US D789,006 S**  
**Ricica** (45) **Date of Patent:** **\*\* Jun. 6, 2017**

(54) **VACUUM CLEANER**  
(71) Applicant: **EURO-PRO OPERATING LLC**,  
Newton, MA (US)  
(72) Inventor: **Aaron Ricica**, Brookline, MA (US)  
(73) Assignee: **SharkNinja Operating LLC**, Newton,  
MA (US)  
(\*\*) Term: **15 Years**  
(21) Appl. No.: **29/527,100**  
(22) Filed: **May 15, 2015**  
(51) **LOC (10) Cl.** ..... **15-05**  
(52) **U.S. Cl.**  
USPC ..... **D32/32**  
(58) **Field of Classification Search**  
USPC ..... D32/21-22, 31, 34, 25  
CPC ..... A47L 11/34; A47L 11/29; A47L 11/30;  
A47L 7/0019; A47L 7/0004; A47L  
7/0023; A47L 9/00; A47L 9/1409; A47L  
5/36-5/367; A47L 5/28  
See application file for complete search history.

(56) **References Cited**

**U.S. PATENT DOCUMENTS**

2,411,488 A 11/1946 White  
5,765,258 A 6/1998 Melito et al.  
D398,097 S \* 9/1998 Murphy ..... D32/22  
6,012,200 A 1/2000 Murphy et al.  
D426,356 S \* 6/2000 Tsuruha ..... D32/22  
D429,392 S \* 8/2000 Maruyama ..... D32/22  
6,226,832 B1 5/2001 McCormick  
D507,387 S \* 7/2005 Jacobs ..... D32/22  
7,013,528 B2 3/2006 Parker et al.  
7,200,893 B2 4/2007 Gerber et al.  
7,316,050 B2 1/2008 Worwag  
7,329,294 B2 2/2008 Conrad  
D591,918 S \* 5/2009 Vagges ..... D32/22  
D608,513 S \* 1/2010 Ho ..... D32/22

7,690,079 B2 4/2010 Boddy et al.  
D635,728 S \* 4/2011 Fjellman ..... D32/22  
8,037,571 B2 10/2011 Butts et al.  
8,316,503 B2 11/2012 Follows et al.  
D677,844 S \* 3/2013 Nicora ..... D32/22  
8,402,601 B2 3/2013 Fahlstrom  
D682,496 S \* 5/2013 Bassett ..... D32/22  
D694,481 S \* 11/2013 Grey ..... D32/22  
8,631,541 B2 1/2014 Tran  
8,776,311 B2 7/2014 Genn et al.  
8,782,851 B2 7/2014 Follows et al.  
8,806,710 B2 8/2014 Follows et al.  
D751,261 S \* 3/2016 Thorne ..... D32/22  
2009/0144928 A1 \* 6/2009 Yoo ..... A47L 5/28  
15/327.1

(Continued)

**FOREIGN PATENT DOCUMENTS**

JP H10201682 A 8/1998  
WO 2014131106 A1 9/2014

*Primary Examiner* — Ruth McInroy

(74) *Attorney, Agent, or Firm* — Grossman Tucker  
Perreault & Pflieger, PLLC

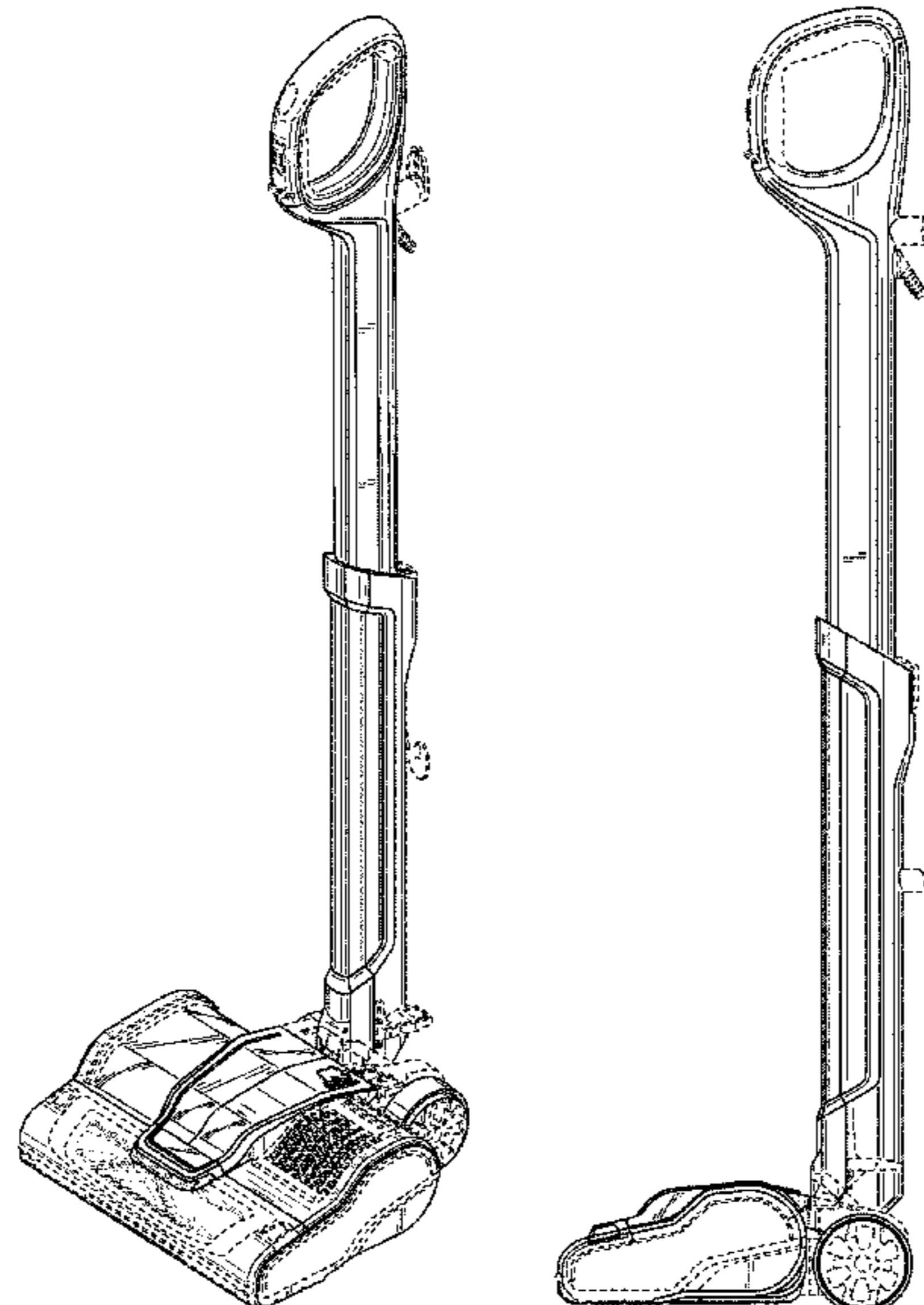
(57) **CLAIM**

I claim the ornamental design for a vacuum cleaner, as  
shown and described.

**DESCRIPTION**

FIG. 1 is a top perspective view of a vacuum cleaner in  
accordance with the present invention;  
FIG. 2 is a front view thereof;  
FIG. 3 is a rear view thereof;  
FIG. 4 is a left side view thereof;  
FIG. 5 is a right side view thereof; and,  
FIG. 6 is a top view thereof.  
The broken lines are included for the purpose of illustrating  
the unclaimed portions of the article and form no part of the  
claim.

**1 Claim, 6 Drawing Sheets**



(56)

**References Cited**

U.S. PATENT DOCUMENTS

2010/0306958 A1 12/2010 Follows et al.  
2011/0296648 A1 12/2011 Kah, Jr.  
2013/0212831 A1 8/2013 Follows et al.  
2016/0051103 A1\* 2/2016 Jang ..... A47L 5/28  
15/329

\* cited by examiner

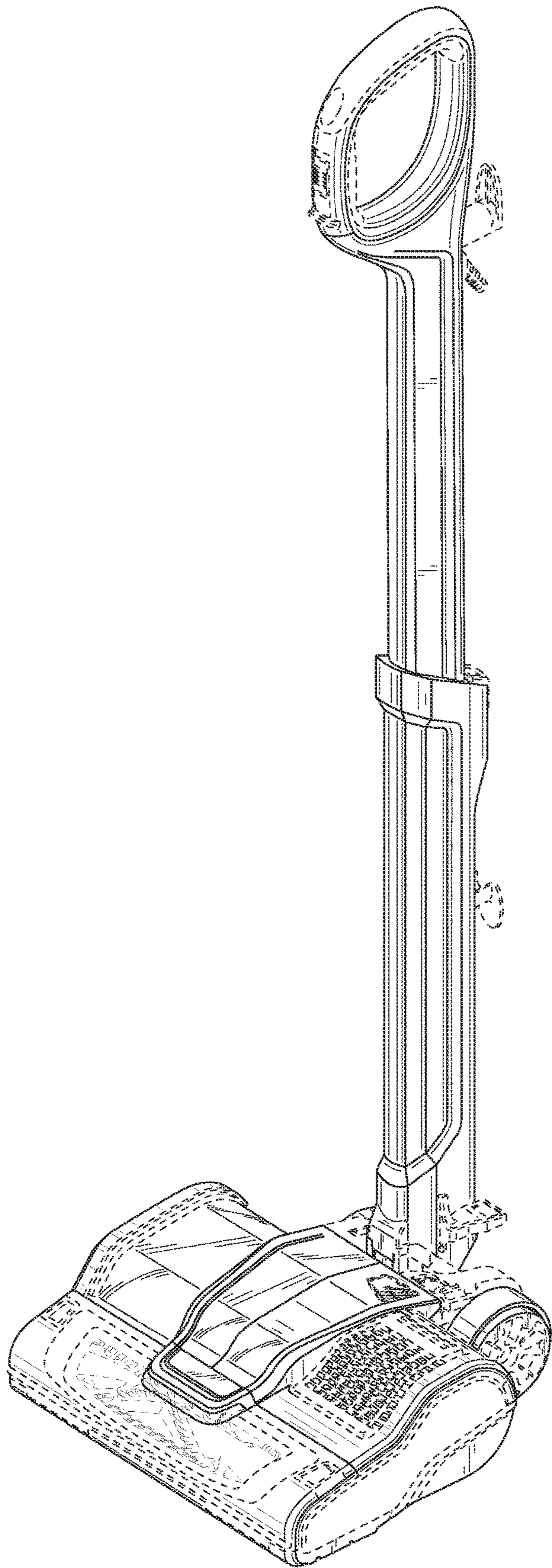


FIG. 1

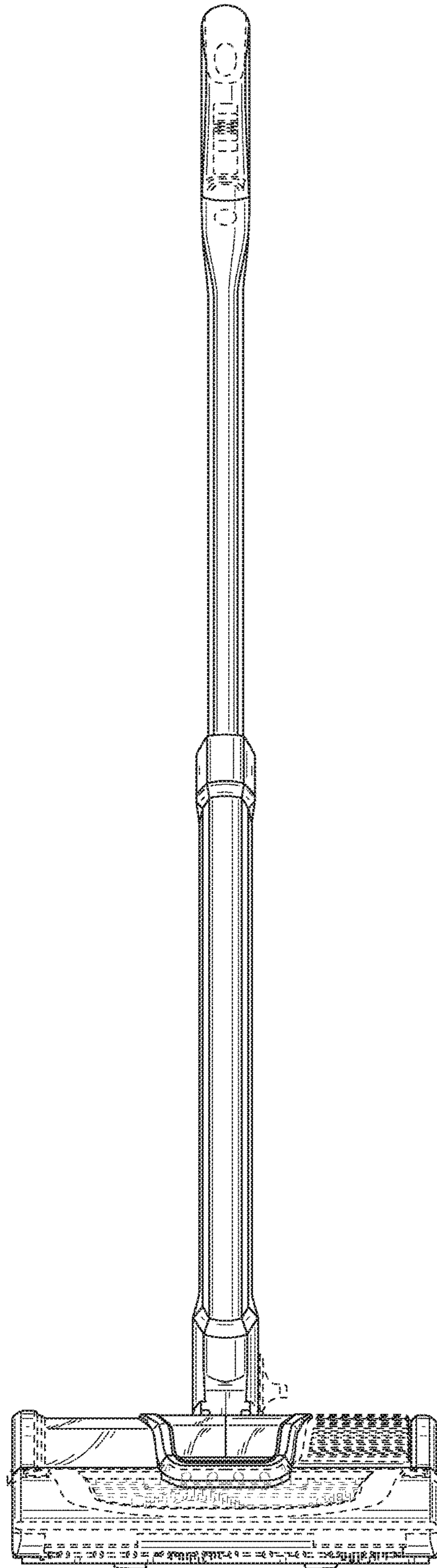


FIG. 2

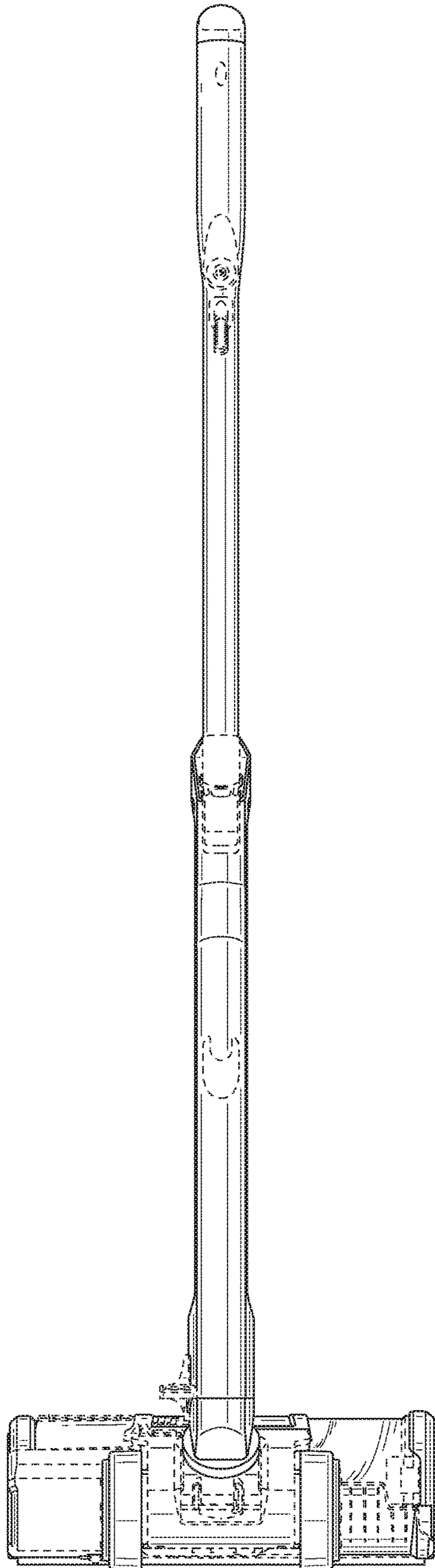


FIG. 3

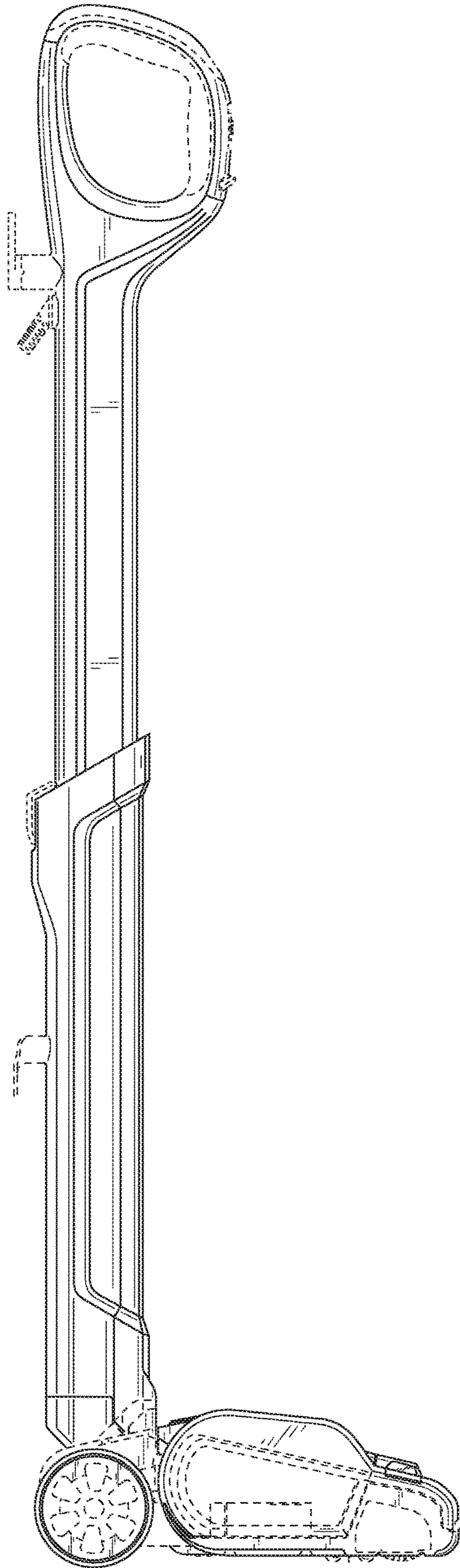


FIG. 4

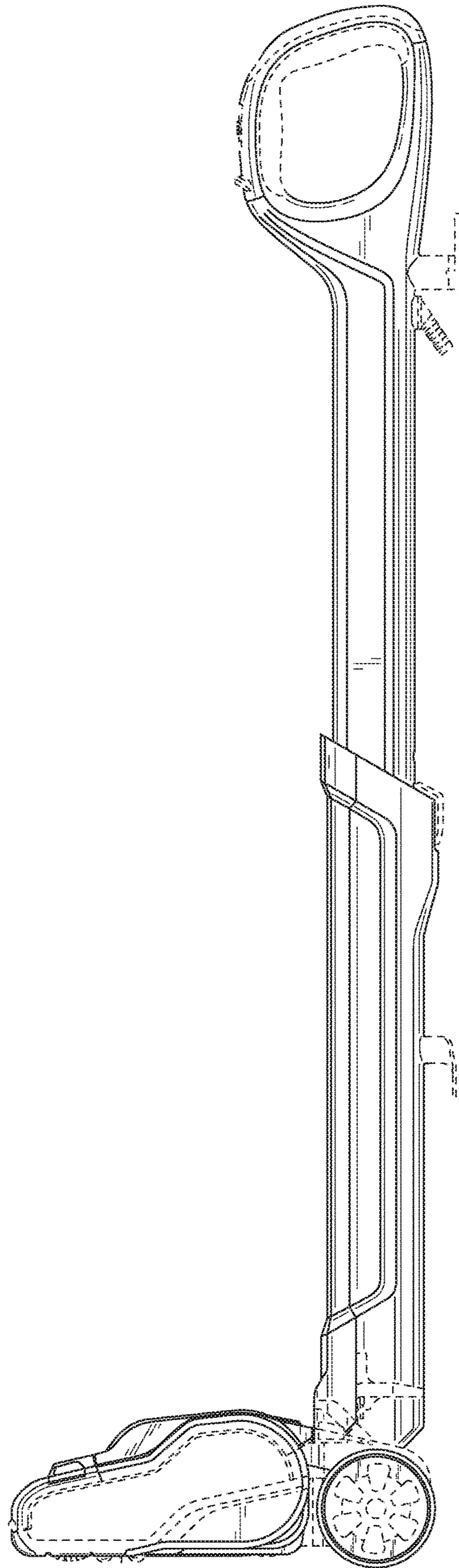


FIG. 5

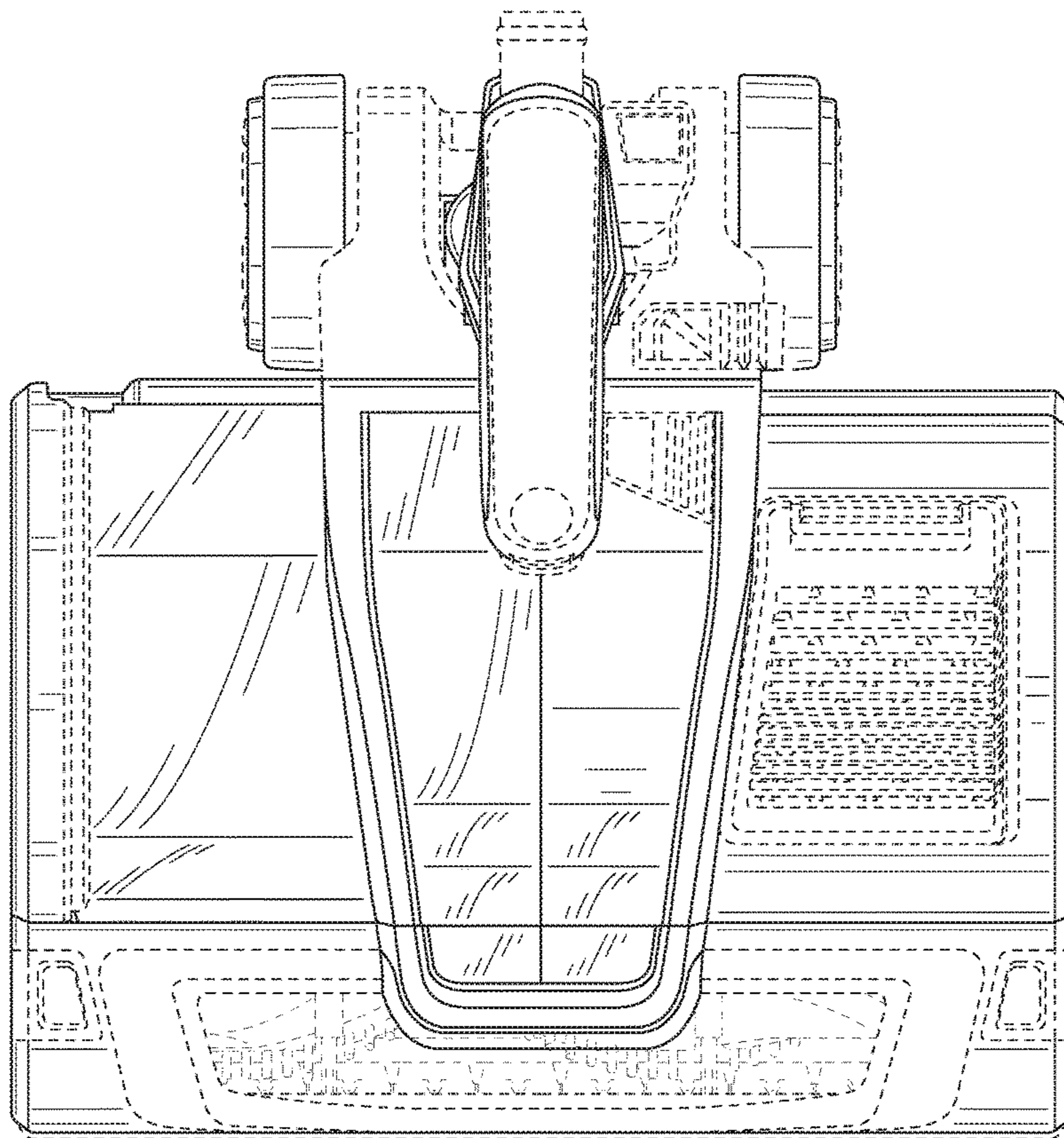


FIG. 6