



US00D789005S

(12) **United States Design Patent**  
**Lee**

(10) **Patent No.:** **US D789,005 S**  
(45) **Date of Patent:** **\*\* Jun. 6, 2017**

(54) **INNER COVER FOR WASHING MACHINE DOOR**

(71) Applicant: **SAMSUNG ELECTRONICS CO., LTD.**, Suwon-si, Gyeonggi-do (KR)

(72) Inventor: **Daekyun Lee**, Suwon-si (KR)

(73) Assignee: **SAMSUNG ELECTRONICS CO., LTD.**, Gyeonggi-Do (KR)

(\*\*) Term: **15 Years**

(21) Appl. No.: **29/561,844**

(22) Filed: **Apr. 20, 2016**

(30) **Foreign Application Priority Data**

Jan. 15, 2016 (KR) ..... 30-2016-0002014

(51) **LOC (10) Cl.** ..... **15-05**

(52) **U.S. Cl.**  
USPC ..... **D32/25**

(58) **Field of Classification Search**  
USPC ..... D32/1, 5, 6, 8, 10, 25  
CPC .... D06F 33/02; D06F 2204/065; D06F 25/00;  
D06F 35/006; D06F 37/28; D06F 39/14;  
D06F 58/00; D06F 58/02; D06F 58/04;  
D06F 58/20; D06F 23/04; G05B 19/042  
See application file for complete search history.

(56) **References Cited**

**U.S. PATENT DOCUMENTS**

D588,315 S \* 3/2009 Geyer ..... D32/25  
7,614,162 B2 \* 11/2009 Renzo ..... D06F 37/28  
34/595  
7,694,537 B2 \* 4/2010 Ha ..... D06F 39/14  
68/196

8,127,464 B2 \* 3/2012 Schone ..... D06F 39/14  
312/228  
8,616,030 B2 \* 12/2013 Hoppe ..... D06F 37/28  
68/196  
D713,610 S \* 9/2014 Geyer ..... D32/25  
D771,336 S \* 11/2016 Kang ..... D32/25  
D772,505 S \* 11/2016 Bixby ..... D32/25  
D772,506 S \* 11/2016 Bixby ..... D32/25  
D776,376 S \* 1/2017 Geyer ..... D32/25

**FOREIGN PATENT DOCUMENTS**

EM 000279831-0001 12/2004  
KR 300702732 S 7/2013  
KR 300702733 S 7/2013

\* cited by examiner

*Primary Examiner* — Michael A. Pratt

*Assistant Examiner* — Michelle E Wilson

(74) *Attorney, Agent, or Firm* — Cantor Colburn LLP

(57) **CLAIM**

The ornamental design for an inner cover for washing machine door, as shown and described.

**DESCRIPTION**

FIG. 1 is a front perspective view of an inner cover for washing machine door showing my new design;  
FIG. 2 is a front view thereof;  
FIG. 3 is a rear view thereof;  
FIG. 4 is a left side view thereof;  
FIG. 5 is a right side view thereof;  
FIG. 6 is a top view thereof;  
FIG. 7 is a bottom view thereof;  
FIG. 8 is rear perspective view thereof; and,  
FIG. 9 is a cross-sectional view thereof taken along line 9-9 in FIG. 2.

**1 Claim, 8 Drawing Sheets**

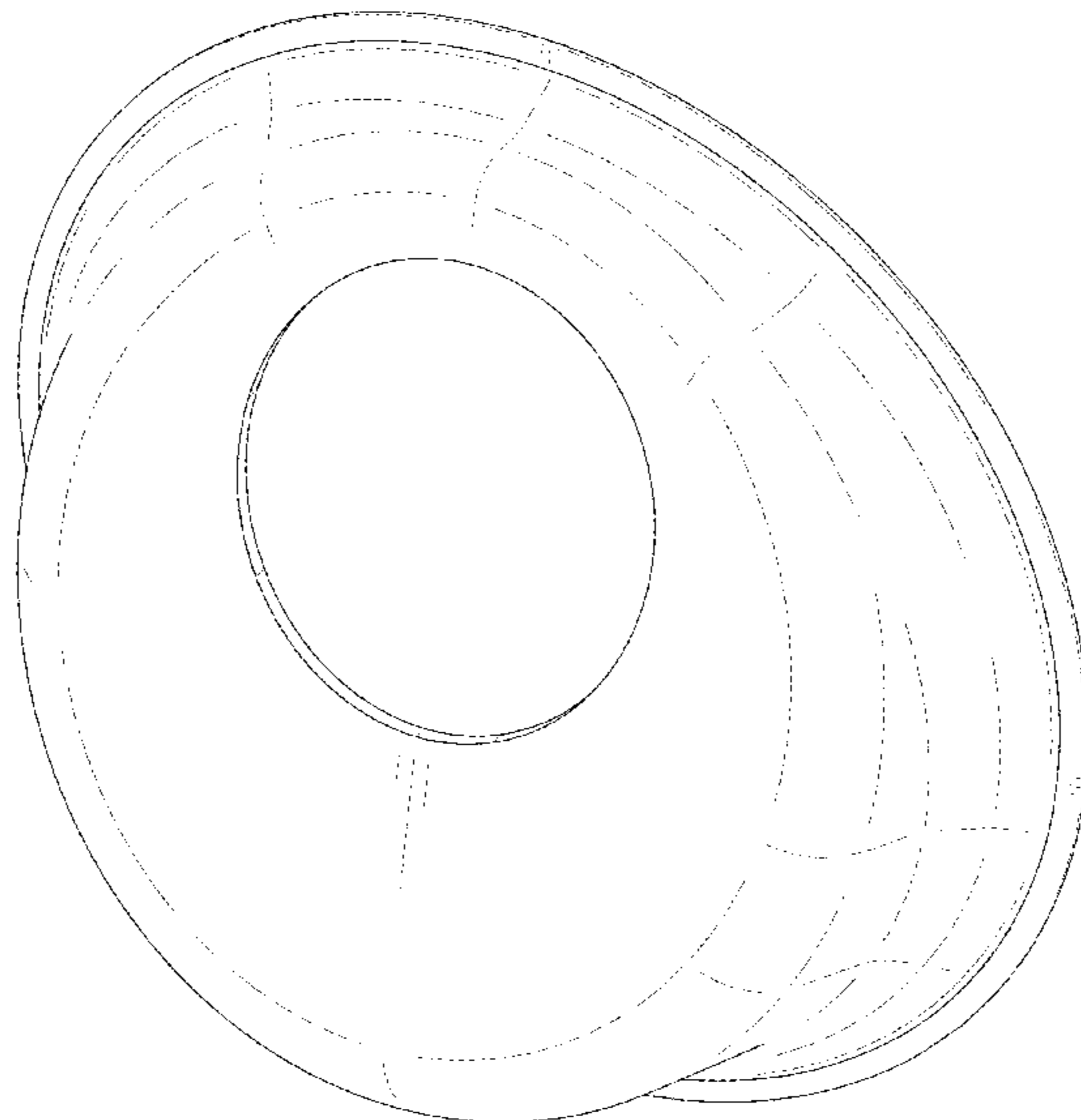


FIG. 1

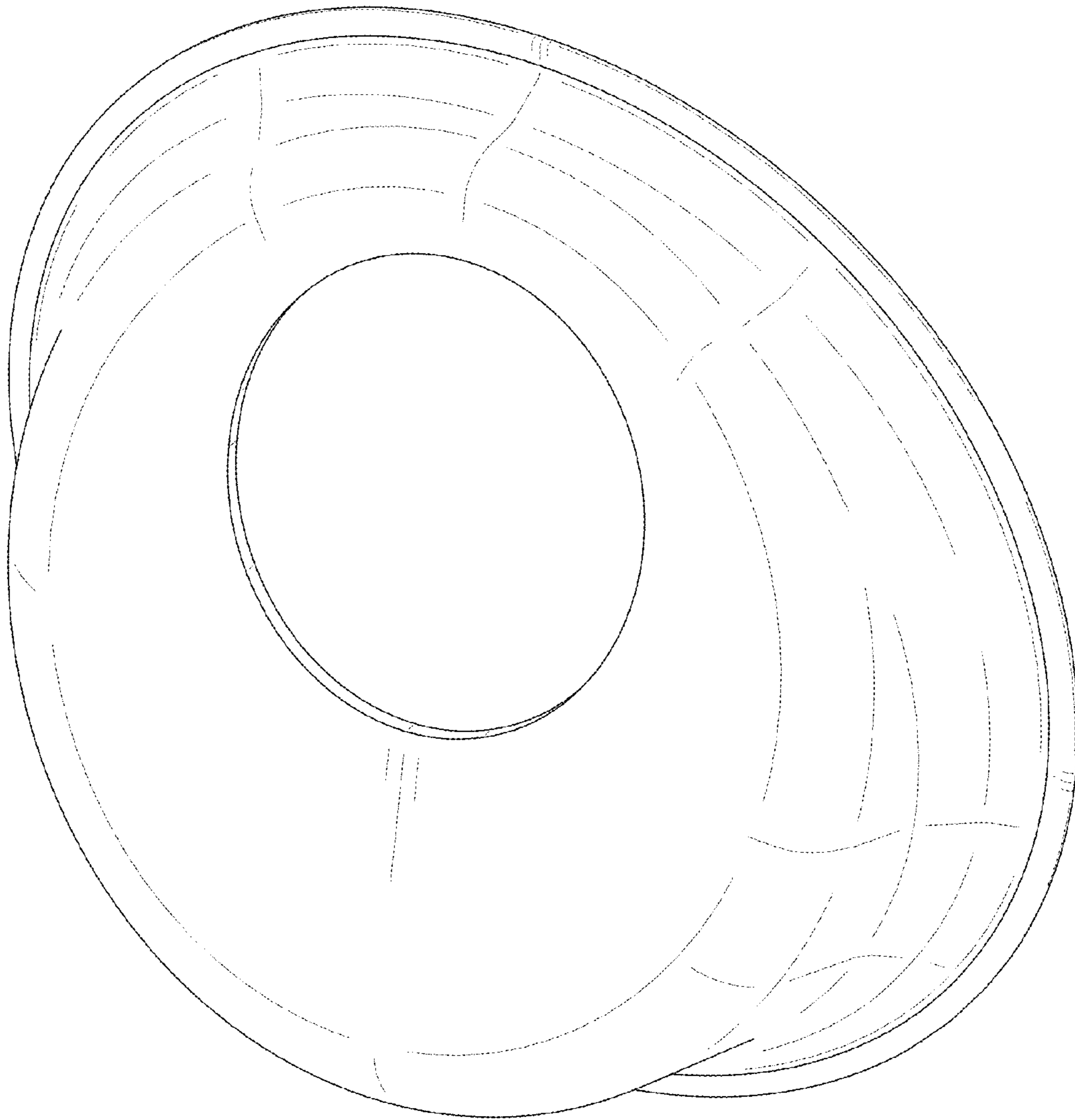


FIG. 2

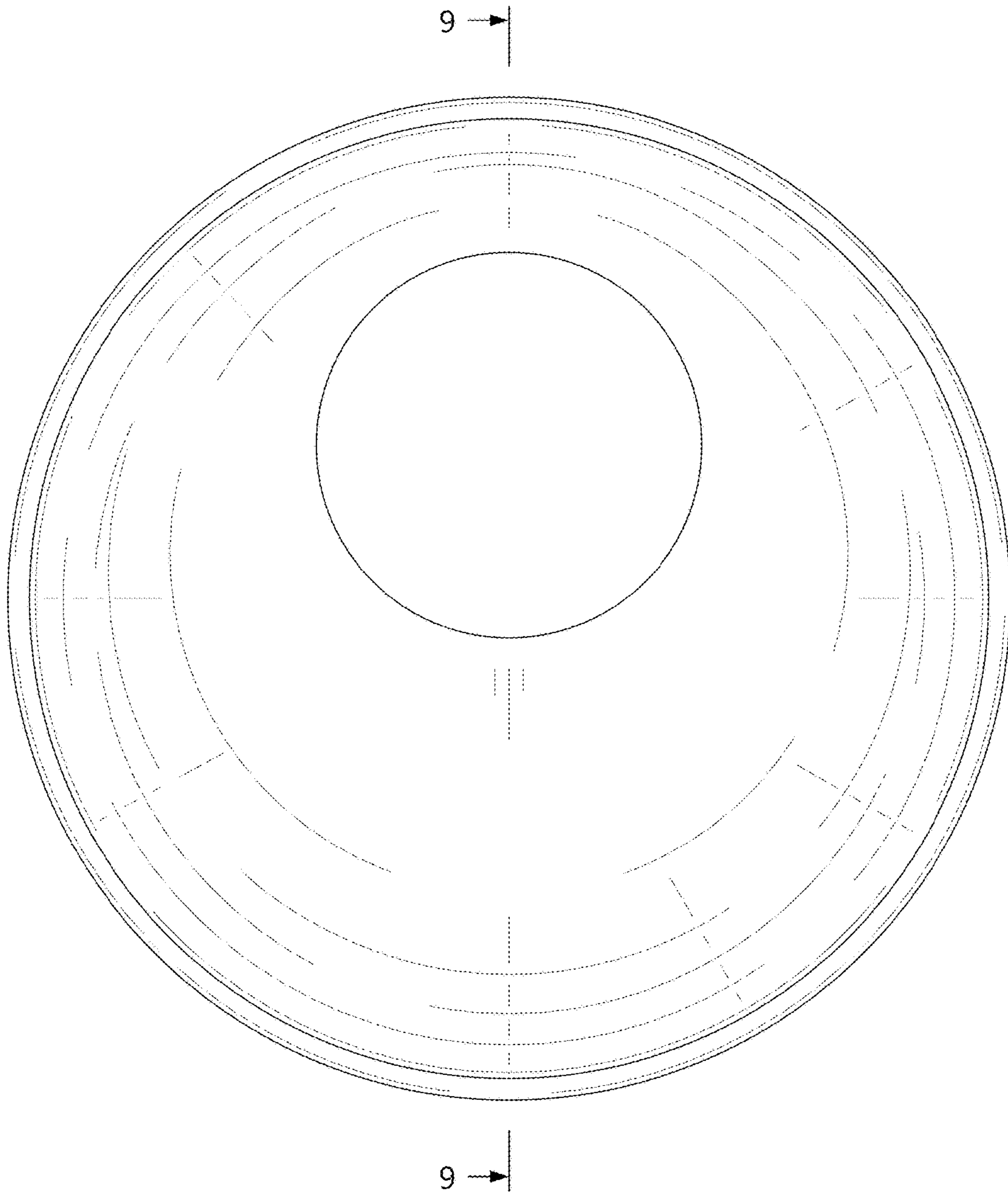


FIG. 3

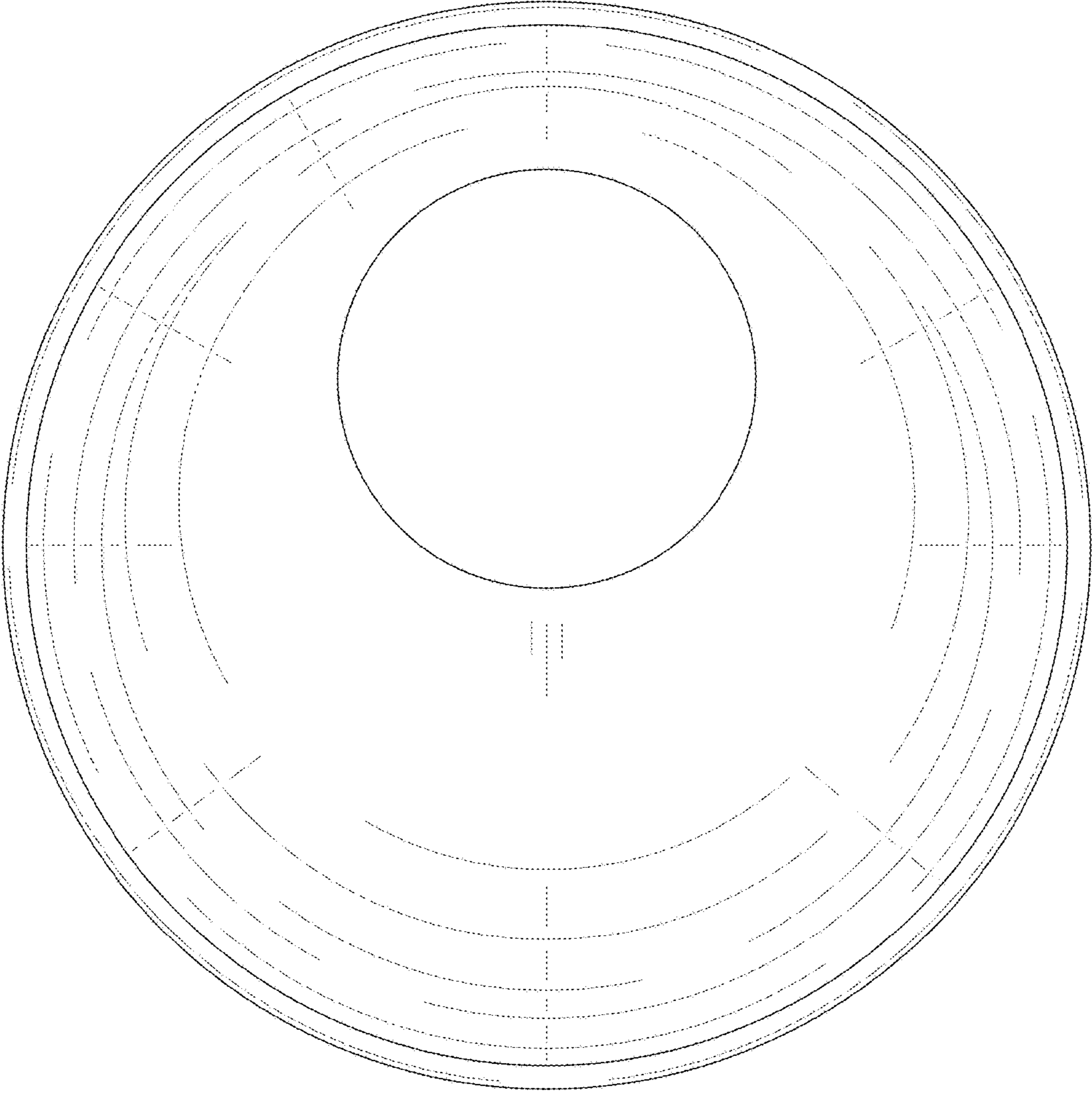


FIG. 4

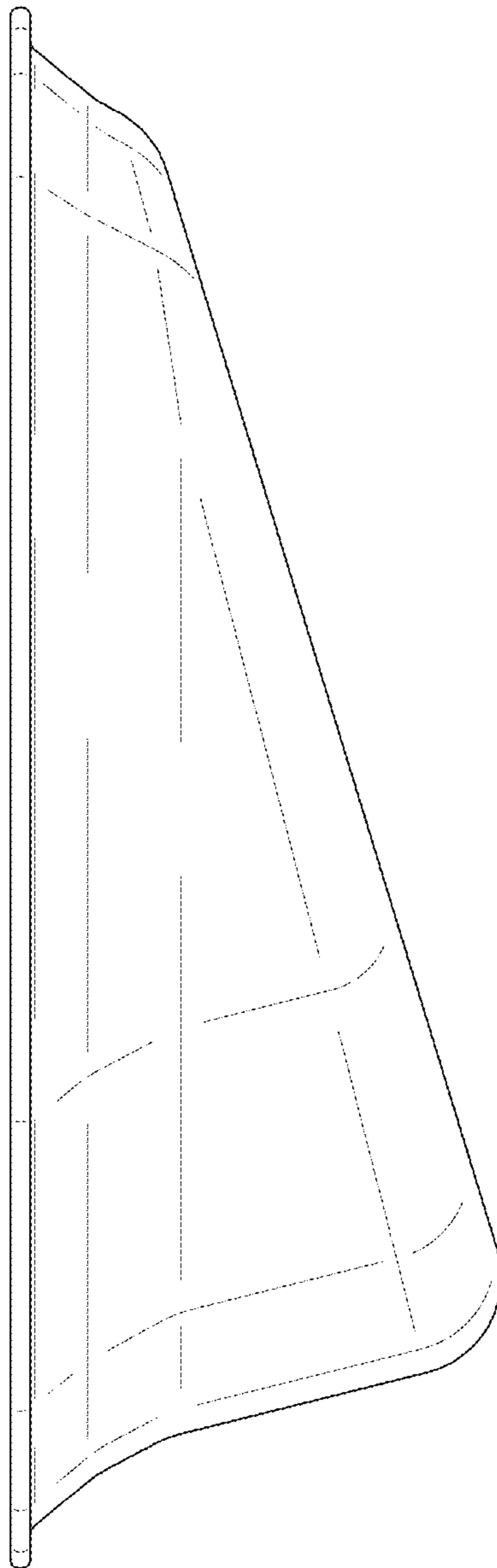


FIG. 5

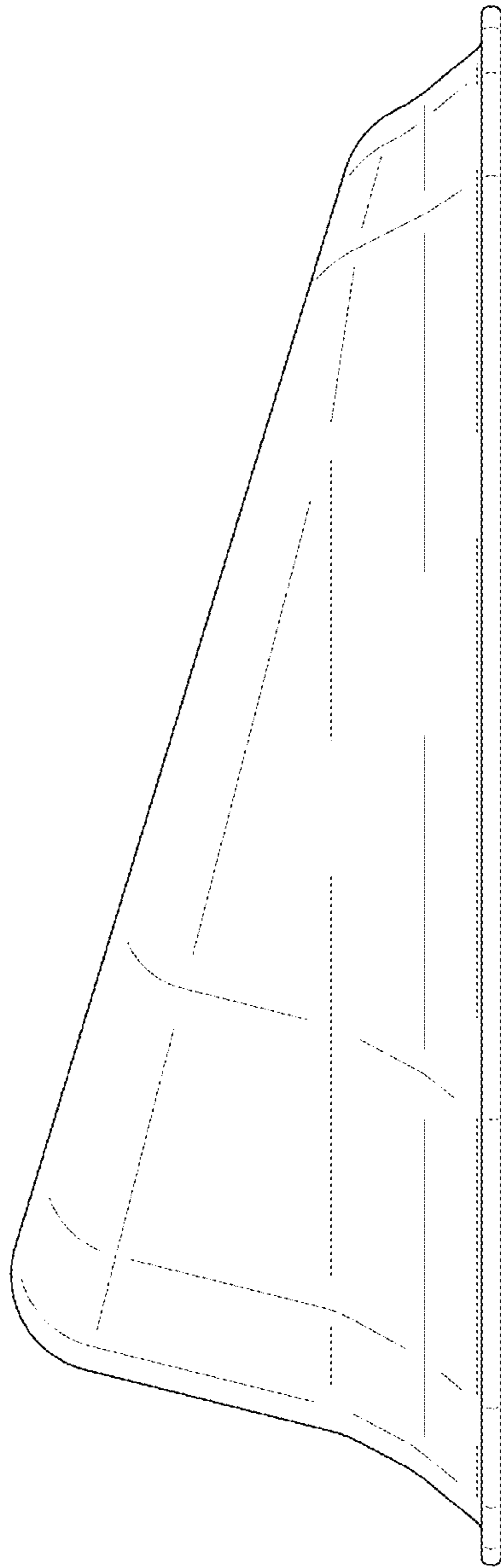


FIG. 6

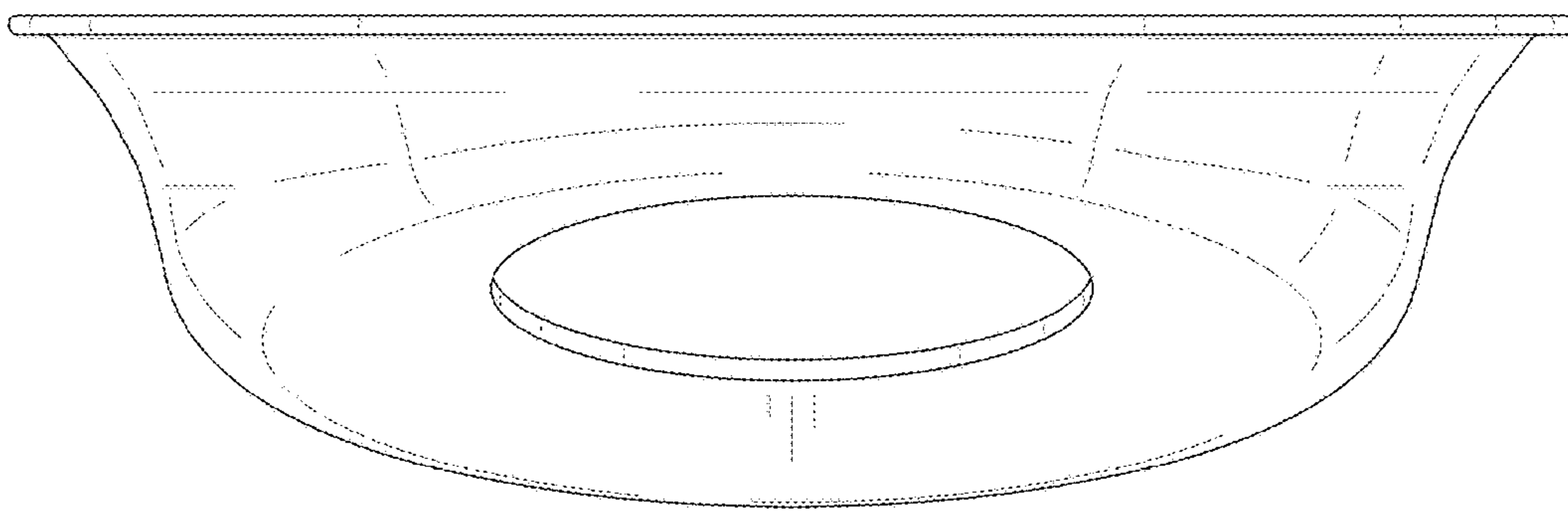


FIG. 7

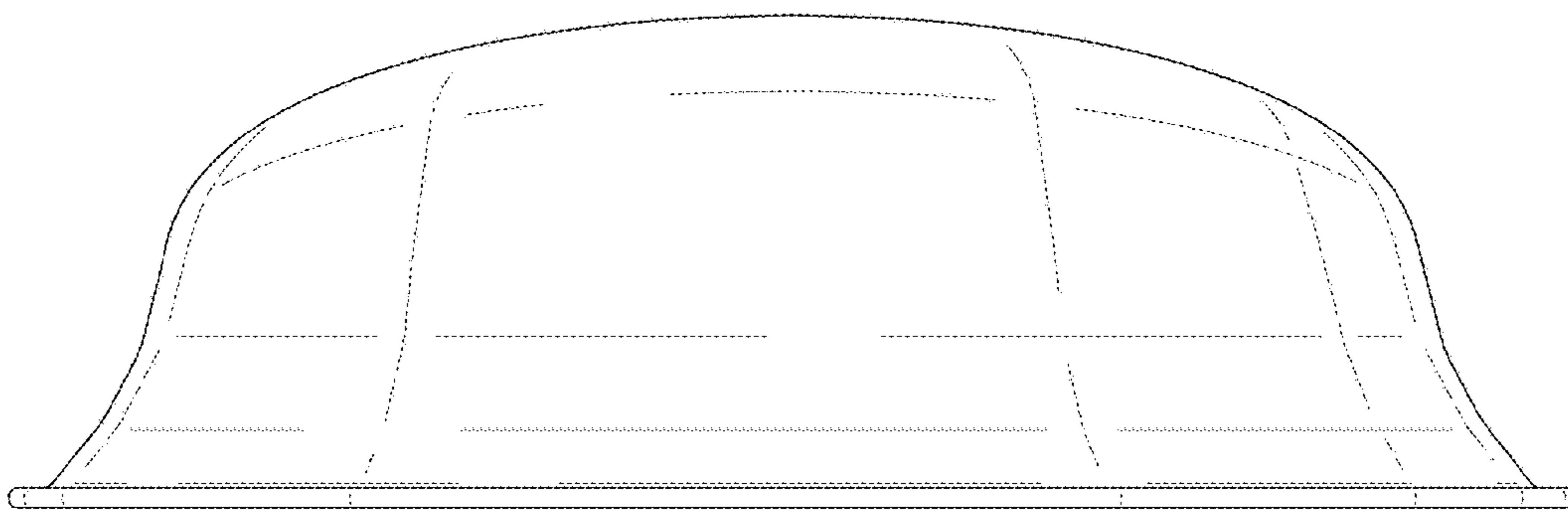


FIG. 8

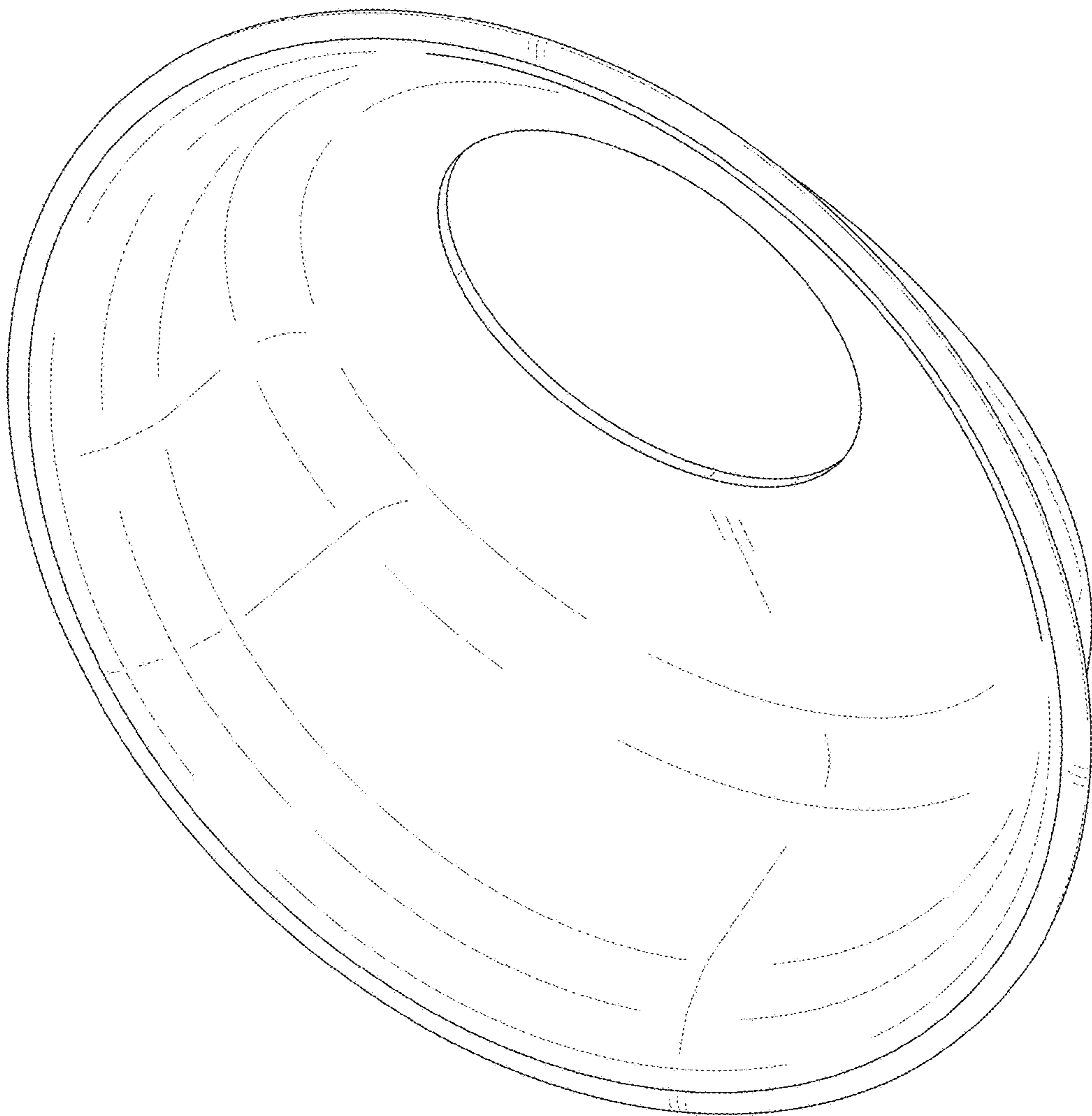




FIG. 9

