



US00D789004S

(12) **United States Design Patent**
Boehler et al.

(10) **Patent No.:** **US D789,004 S**
(45) **Date of Patent:** **** Jun. 6, 2017**

(54) **FLOOR CLEANING MACHINE**

(56) **References Cited**

(71) Applicant: **Alfred Kaercher GmbH & Co. KG,**
Winnenden (DE)

U.S. PATENT DOCUMENTS

(72) Inventors: **Christoph Boehler,** Fuerth (DE);
Michael Meyer, Schwaikheim (DE)

4,665,582 A	5/1987	Richmond et al.	
D498,887 S *	11/2004	Kent	D32/22
D588,760 S *	3/2009	Chun	D32/22
D671,283 S *	11/2012	Paterson	D32/22
D722,211 S *	2/2015	Thackray	D32/22
D740,503 S *	10/2015	Tyler	D32/22
D751,261 S *	3/2016	Thorne	D32/22

(73) Assignee: **Alfred Kaercher GmbH & Co. KG,**
Winnenden (DE)

FOREIGN PATENT DOCUMENTS

(**) Term: **15 Years**

EP 0192624 8/1986

(21) Appl. No.: **29/542,550**

* cited by examiner

(22) Filed: **Oct. 15, 2015**

Primary Examiner — Ruth McInroy

(30) **Foreign Application Priority Data**

(74) *Attorney, Agent, or Firm* — Lipsitz & McAllister, LLC

Apr. 27, 2015 (WO) DM/086270

(51) **LOC (10) Cl.** **15-05**

(52) **U.S. Cl.**
USPC **D32/22**

(57) **CLAIM**

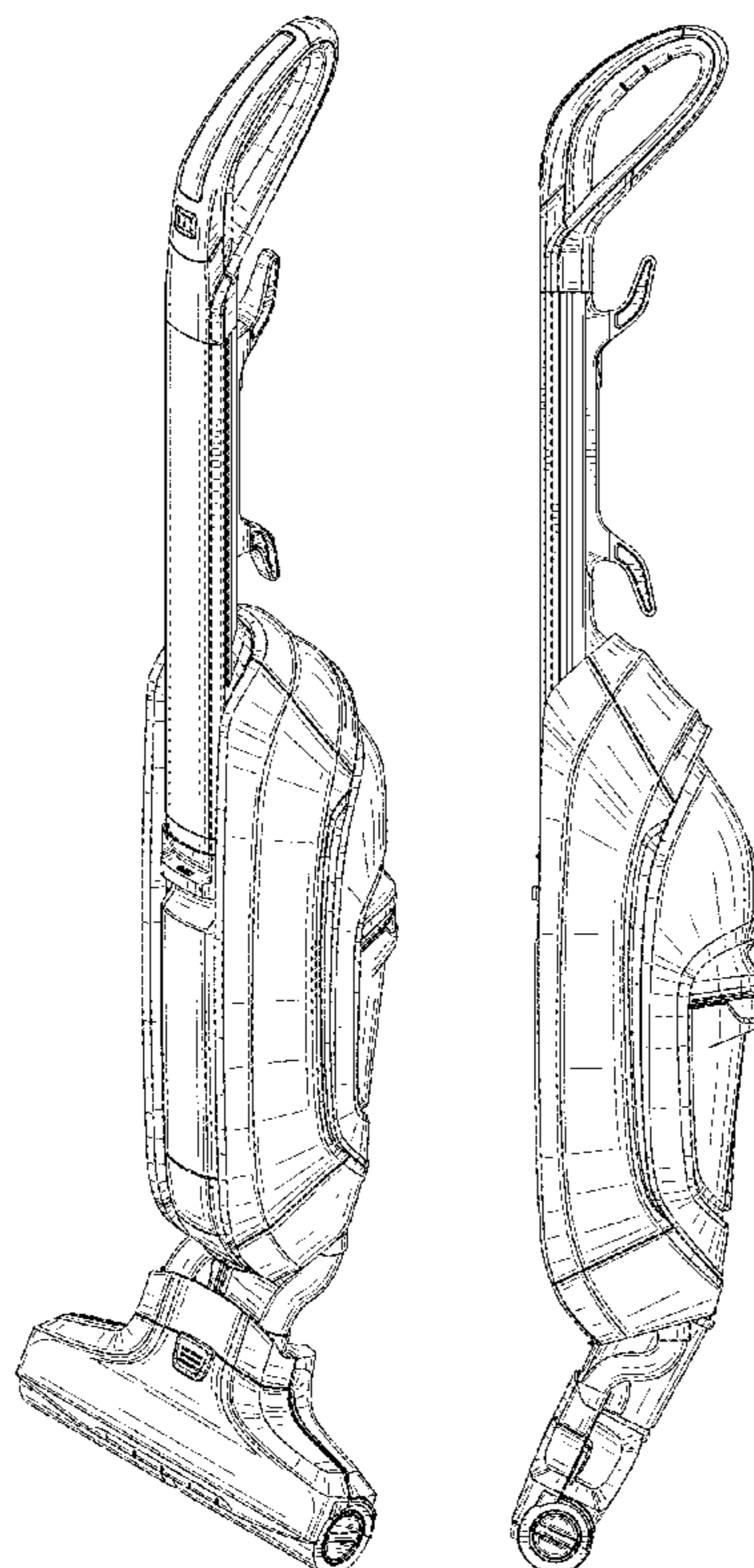
The ornamental design for a floor cleaning machine, as shown and described.

(58) **Field of Classification Search**
USPC D32/17-18, 22, 31, 34, 45, 50-51;
D8/374, 323, 325
CPC A47L 5/24; A47L 5/28; A47L 5/34; A47L
7/0038; A47L 9/325; A47L 9/02; A47L
11/34; A47L 11/4086; A47L 13/26; A47L
13/225; A47L 13/22; B08B 9/0323; A23C
3/031
See application file for complete search history.

DESCRIPTION

FIG. 1 is a front, top and left side perspective view of a floor cleaning machine showing the new design;
FIG. 2 is a front, top and right side perspective view thereof;
FIG. 3 is a front elevational view thereof;
FIG. 4 is a left side elevational view thereof;
FIG. 5 is a rear elevational view thereof;
FIG. 6 is a right side elevational view thereof; and,
FIG. 7 is a top plan view thereof.

1 Claim, 7 Drawing Sheets



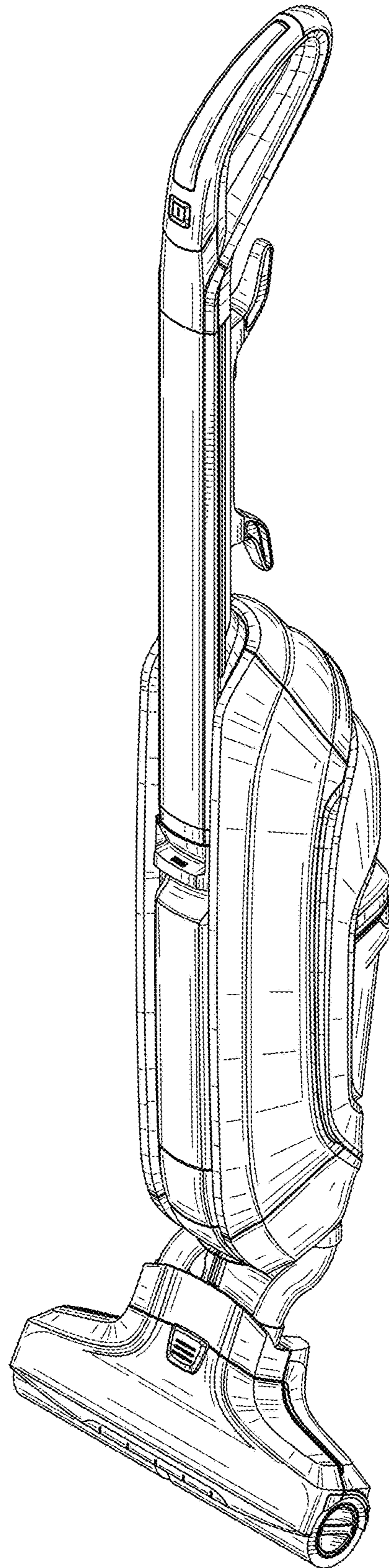


FIG.1

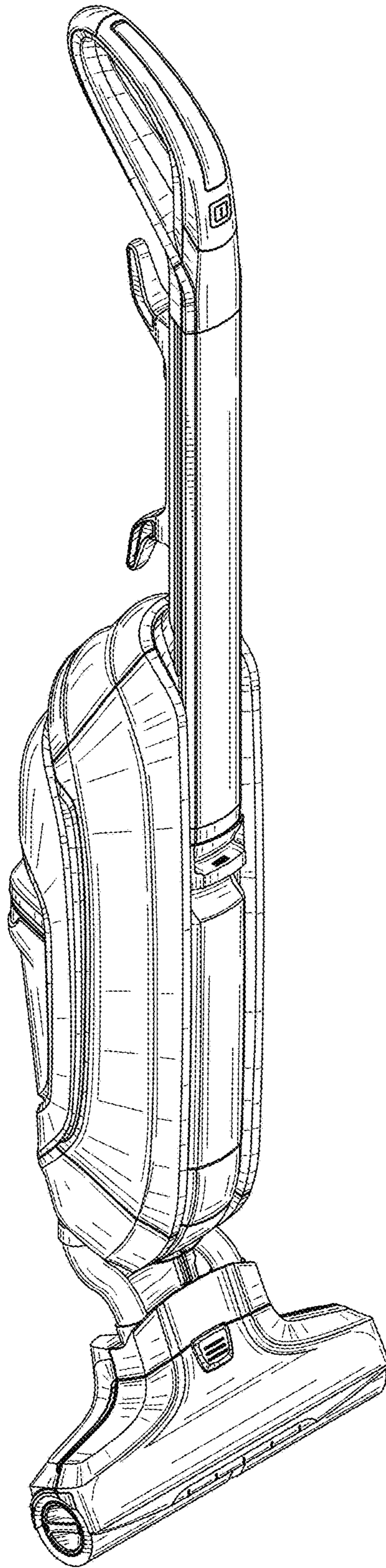


FIG.2

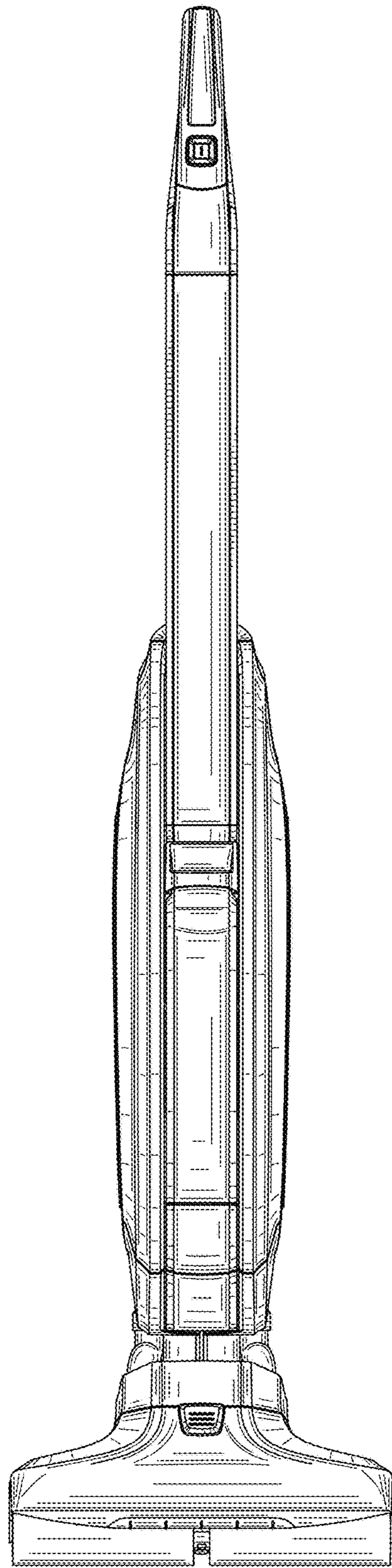


FIG.3

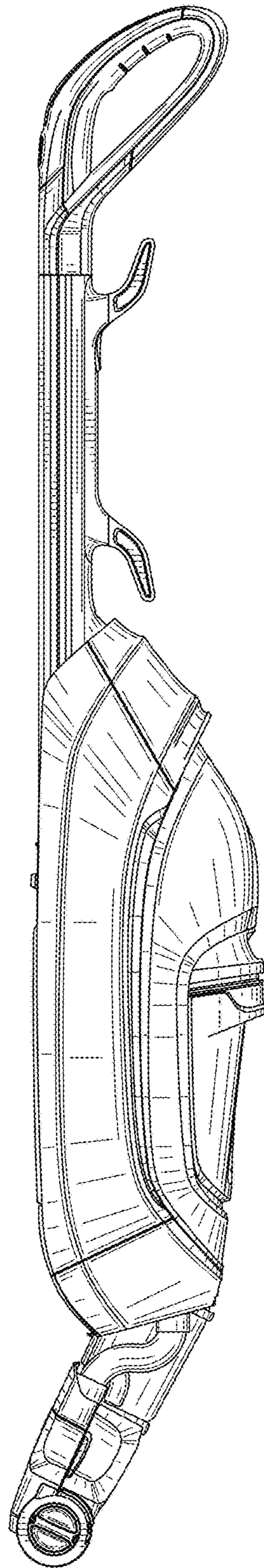


FIG.4

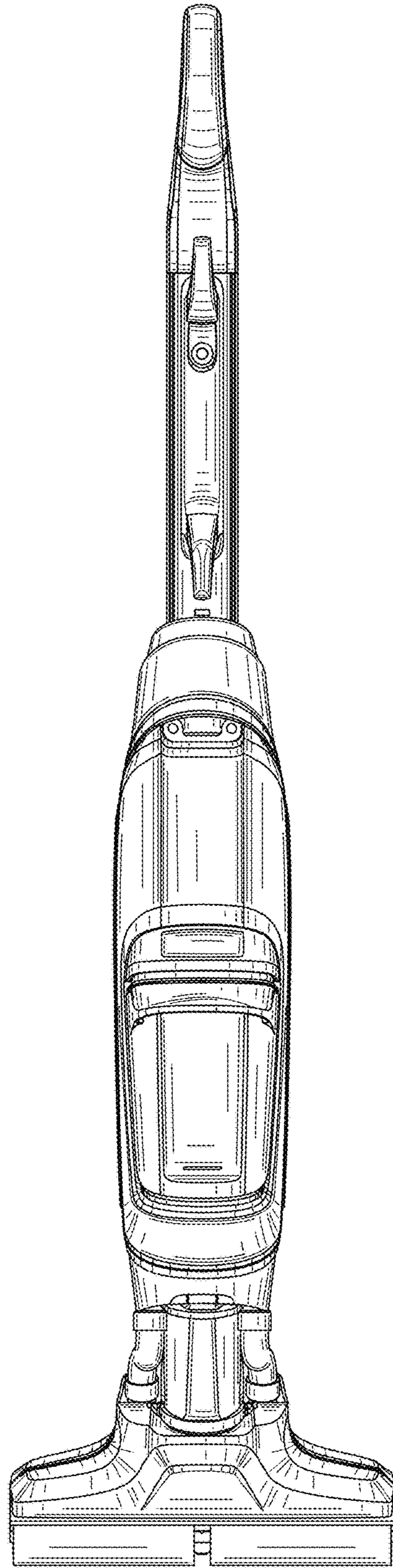


FIG.5

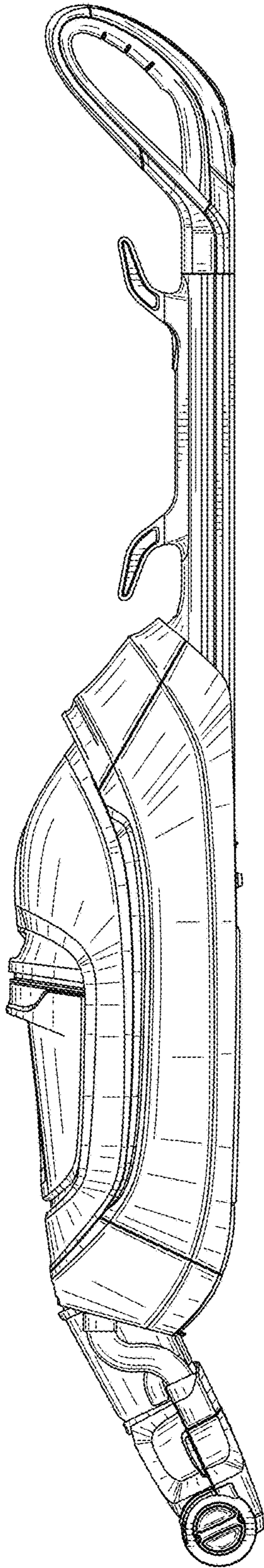


FIG.6

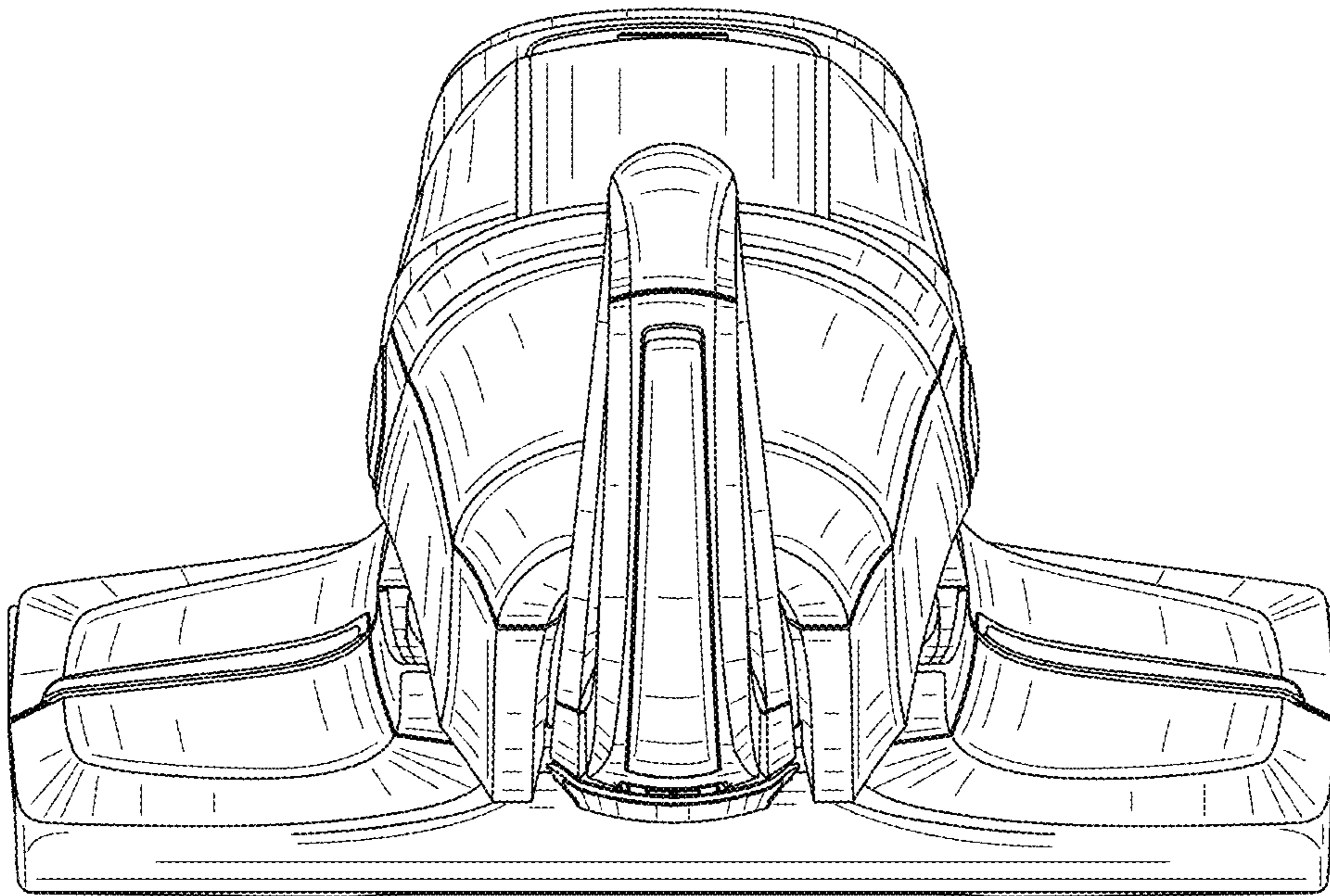


FIG.7