



US00D789003S

(12) **United States Design Patent**
Mainville et al.

(10) **Patent No.:** **US D789,003 S**
(45) **Date of Patent:** **** Jun. 6, 2017**

(54) **POOL CLEANER**

(71) Applicant: **Hayward Industries, Inc.**, Elizabeth,
NJ (US)

(72) Inventors: **Patrick Mainville**, Montreal (CA);
Benoit Orban, St-Lambert (CA);
Thomas Rouayroux, Montreal (CA);
Antoine Dallaire, Montreal (CA)

(73) Assignee: **Hayward Industries, Inc.**, Elizabeth,
NJ (US)

(**) Term: **14 Years**

(21) Appl. No.: **29/508,552**

(22) Filed: **Nov. 7, 2014**

(51) **LOC (10) Cl.** **15-05**

(52) **U.S. Cl.**
USPC **D32/21**

(58) **Field of Classification Search**
USPC D32/17-18, 21-22, 31-34
CPC A47L 9/02; A47L 9/2842; A47L 9/0461;
E04H 4/1654; E04H 4/169; E04H 4/1609;
E04H 4/1618; E04H 4/1636; E04H 4/16;
E01H 1/0836

See application file for complete search history.

(56) **References Cited**

U.S. PATENT DOCUMENTS

2,283,835 A	5/1942	Weaver
D144,063 S	3/1946	McAllister
D175,210 S	7/1955	Dreyfuss
D176,635 S	1/1956	Shalvoy
D186,872 S	12/1959	Swann
3,019,462 A	2/1962	Nash et al.
3,039,122 A	6/1962	Birdsall
3,186,550 A	6/1965	Beduhn
3,310,173 A	3/1967	Sosower
3,321,787 A	5/1967	Myers
3,324,492 A	6/1967	Myers
3,439,368 A	4/1969	Myers

RE26,741 E	12/1969	Myers
3,551,930 A	1/1971	Myers
3,665,942 A	5/1972	Moore
3,676,885 A	7/1972	Wulc

(Continued)

FOREIGN PATENT DOCUMENTS

AU	704603	1/1997
DE	2612043	9/1977

(Continued)

OTHER PUBLICATIONS

Design U.S. Appl. No. 29/508,541, filed Nov. 7, 2014, entitled
"Pool Cleaner" (8 pages).

(Continued)

Primary Examiner — Ruth McInroy

(74) *Attorney, Agent, or Firm* — McCarter & English,
LLP

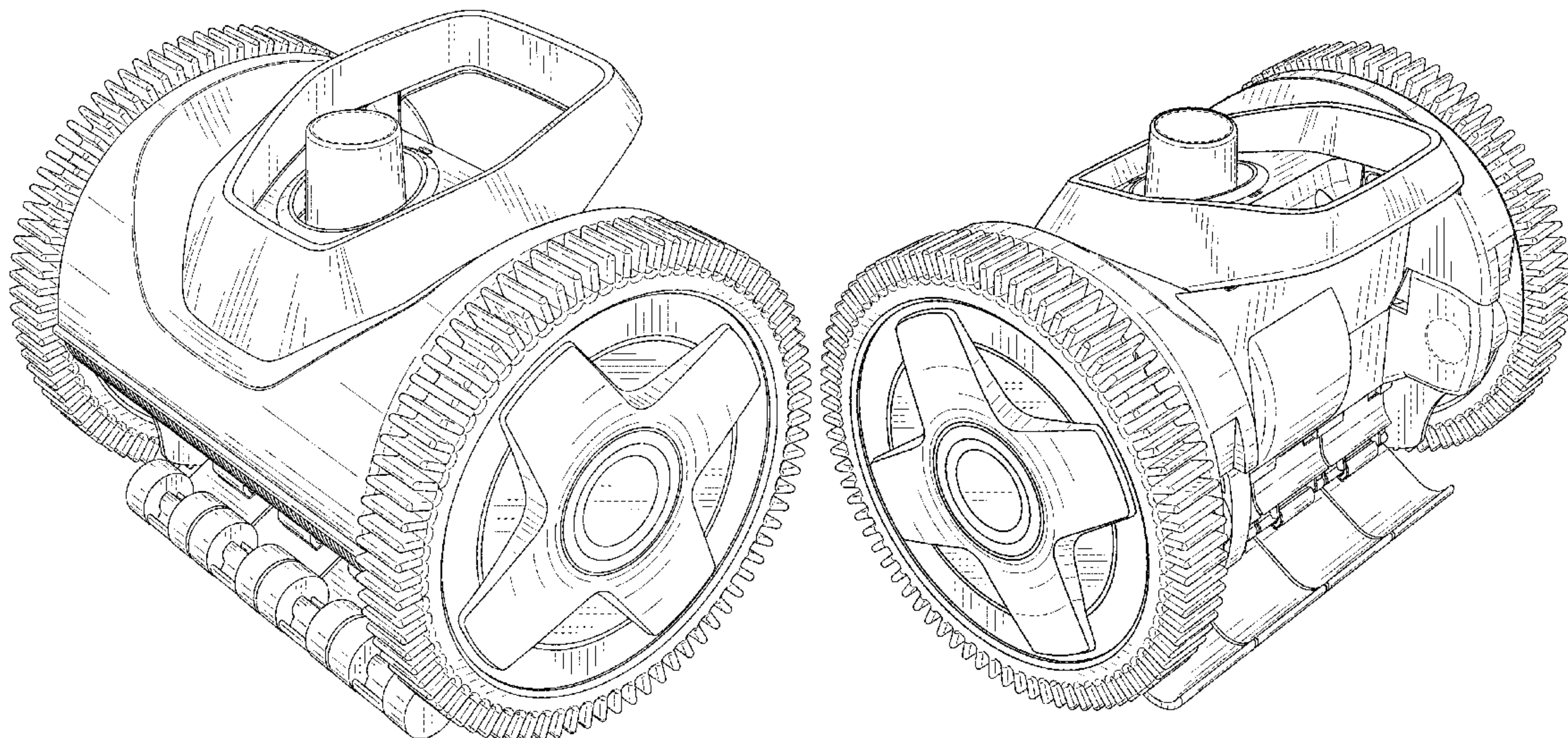
(57) **CLAIM**

We claim the ornamental design for a pool cleaner, as shown
and described.

DESCRIPTION

FIG. 1 is a front perspective view of a pool cleaner;
FIG. 2 is a rear perspective view of the pool cleaner of FIG.
1;
FIG. 3 is a front elevational view of the pool cleaner of FIG.
1;
FIG. 4 is a rear elevational view of the pool cleaner of FIG.
1;
FIG. 5 is a right side elevational view of the pool cleaner of
FIG. 1, a left side elevational view being a mirror image
thereof; and,
FIG. 6 is a top plan view of the pool cleaner of FIG. 1.
The details shown in broken lines form no part of the
claimed design.

1 Claim, 6 Drawing Sheets



(56)

References Cited

U.S. PATENT DOCUMENTS

3,689,408 A	9/1972	Edmiston et al.	5,450,645 A	9/1995	Atkins
3,767,055 A	10/1973	Flatland	5,454,129 A	10/1995	Kell
3,794,052 A	2/1974	Koble, Jr. et al.	5,507,058 A	4/1996	Minami et al.
3,797,508 A	3/1974	Jacobs	5,507,068 A	4/1996	Fan et al.
3,805,815 A	4/1974	Goodin	D373,230 S	8/1996	Sebor et al.
3,822,754 A	7/1974	Henkin et al.	5,546,982 A	8/1996	Clark et al.
3,868,739 A	3/1975	Hargrave	5,569,371 A	10/1996	Perling
3,886,616 A	6/1975	Hayes	D375,592 S	11/1996	Ljunggren
3,921,654 A	11/1975	Pansini	D376,450 S	12/1996	Campbell et al.
3,936,899 A	2/1976	Henkin et al.	5,603,135 A	2/1997	Jones et al.
3,972,339 A	8/1976	Henkin et al.	5,604,950 A	2/1997	Stern
3,979,788 A	9/1976	Strausak	5,617,600 A	4/1997	Frattini
4,100,641 A	7/1978	Pansini	5,634,229 A	6/1997	Stoltz
4,152,802 A	5/1979	Chauvier	D384,782 S	10/1997	Gefter
4,154,680 A	5/1979	Sommer	5,720,068 A	2/1998	Clark et al.
4,156,948 A	6/1979	Chauvier et al.	5,771,987 A	6/1998	Marbach
4,168,557 A	9/1979	Rasch et al.	5,794,293 A	8/1998	Hoffinger
4,193,156 A	3/1980	Chauvier	5,797,156 A	8/1998	Sebor et al.
4,208,752 A	6/1980	Hofmann	5,802,653 A	9/1998	Roumagnac
4,281,995 A	8/1981	Pansini	D400,319 S	10/1998	Hofheins et al.
4,299,051 A	11/1981	Pauly et al.	5,842,243 A	12/1998	Horvath et al.
4,306,329 A	12/1981	Yokoi	D408,104 S	4/1999	Adam
4,338,697 A	7/1982	Broadwater	5,893,188 A	4/1999	Campbell et al.
4,351,077 A	9/1982	Hofmann	5,896,610 A	4/1999	Sebor et al.
4,402,101 A	9/1983	van Zyl	5,930,856 A	8/1999	Van Der Meyden et al.
4,429,429 A	2/1984	Altschul	5,933,899 A	8/1999	Campbell et al.
4,431,538 A	2/1984	Selsted	5,935,179 A	8/1999	Kleiner et al.
4,434,519 A	3/1984	Raubenheimer	5,961,822 A	10/1999	Polimeni, Jr.
4,449,265 A	5/1984	Hoy	5,970,557 A	10/1999	Supra
D279,227 S	6/1985	Price	D417,047 S	11/1999	Tsuda
4,536,908 A	8/1985	Raubenheimer	D417,322 S	11/1999	Hollinger
4,558,479 A	12/1985	Greskovics et al.	5,985,156 A	11/1999	Henkin et al.
4,575,423 A	3/1986	Alanis et al.	6,003,184 A	12/1999	Campbell et al.
4,589,986 A	5/1986	Greskovics et al.	D418,640 S	1/2000	Veloskey et al.
4,651,376 A	3/1987	Ford	6,013,178 A	1/2000	Strano et al.
4,652,366 A	3/1987	Brooks	D421,512 S	3/2000	Campbell
4,656,683 A	4/1987	Raubenheimer	6,039,886 A	3/2000	Henkin et al.
4,692,956 A	9/1987	Kassis	6,049,933 A	4/2000	McLaughlin
4,761,848 A	8/1988	Hofmann	6,090,219 A	7/2000	Henkin et al.
4,768,532 A	9/1988	Johnson	D429,393 S	8/2000	Rief et al.
4,769,867 A	9/1988	Stoltz	D430,368 S	8/2000	Porat et al.
4,776,954 A	10/1988	Brooks	6,094,764 A	8/2000	Veloskey et al.
4,778,599 A	10/1988	Brooks	6,099,658 A	8/2000	Porat
4,807,318 A	2/1989	Kallenbach	D430,960 S	9/2000	van der Meyden et al.
4,839,063 A	6/1989	Brooks	D430,962 S	9/2000	Porat et al.
4,849,024 A	7/1989	Supra	6,112,354 A	9/2000	Stoltz et al.
D304,505 S	11/1989	Maier et al.	6,115,864 A	9/2000	Davidsson et al.
4,920,599 A	5/1990	Rief	6,119,293 A	9/2000	Phillipson et al.
4,950,393 A	8/1990	Goettl	6,125,492 A	10/2000	Prowse
4,959,146 A	9/1990	Kristan	6,131,227 A	10/2000	Rief et al.
4,962,559 A	10/1990	Schuman	D433,545 S	11/2000	Hollinger et al.
D315,624 S	3/1991	Kimura et al.	6,155,657 A	12/2000	Erlich et al.
5,001,800 A	3/1991	Parenti et al.	D436,700 S	1/2001	Forbes et al.
5,014,382 A	5/1991	Kallenbach	6,199,237 B1	3/2001	Budden
5,033,148 A	7/1991	Chauvier et al.	6,206,547 B1	3/2001	Erlich
5,044,034 A	9/1991	Iannucci	6,212,725 B1	4/2001	Porat
5,093,950 A	3/1992	Heier	D443,737 S *	6/2001	Rief D32/15
5,097,559 A	3/1992	Brunt et al.	D444,280 S	6/2001	Rief et al.
5,099,535 A	3/1992	Chauvier et al.	D445,225 S	7/2001	Schaub
D325,452 S	4/1992	Gefter	6,280,611 B1	8/2001	Henkin et al.
D325,796 S	4/1992	Kallenbach	6,292,970 B1	9/2001	Rief et al.
5,105,496 A	4/1992	Gray, Jr. et al.	6,294,084 B1	9/2001	Henkin et al.
5,172,445 A	12/1992	Chandler	6,299,699 B1	10/2001	Porat et al.
5,197,158 A	3/1993	Moini	6,309,468 B1	10/2001	Sommer
5,226,205 A	7/1993	Pearce	6,311,353 B1	11/2001	Phillipson et al.
5,245,723 A	9/1993	Sommer	6,365,039 B1	4/2002	Henkin et al.
5,265,297 A	11/1993	Gould et al.	6,387,250 B1	5/2002	Henkin et al.
5,293,659 A	3/1994	Rief et al.	6,398,878 B1	6/2002	Henkin et al.
D346,888 S	5/1994	Stone	6,409,916 B1	6/2002	Zelas et al.
5,337,434 A	8/1994	Erlich	6,412,133 B1	7/2002	Erlich et al.
5,351,355 A	10/1994	Chiniara	D463,889 S	10/2002	Buzzi
5,412,826 A	5/1995	Raubenheimer	6,473,927 B1	11/2002	Sommer
5,435,031 A	7/1995	Minami et al.	6,473,928 B1	11/2002	Veloskey et al.
D361,178 S	8/1995	Piret	6,485,638 B2	11/2002	Henkin et al.
5,450,644 A	9/1995	Berman	D469,589 S	1/2003	Wichmann et al.
			6,502,269 B1	1/2003	Balchan et al.
			D471,330 S	3/2003	Campbell
			D474,312 S	5/2003	Stephens et al.
			6,564,417 B2	5/2003	Porat

(56)

References Cited

U.S. PATENT DOCUMENTS

6,601,255 B1	8/2003	van der Meyden et al.	2003/0106174 A1	6/2003	Kallenbach et al.
6,627,074 B2	9/2003	Lincke	2003/0177594 A1	9/2003	Van Der Meyden et al.
D481,181 S	10/2003	Lath et al.	2003/0182742 A1	10/2003	Wichmann et al.
6,652,742 B2	11/2003	Henkin et al.	2004/0010867 A1	1/2004	Habif et al.
6,665,900 B2	12/2003	Wichmann et al.	2004/0021439 A1	2/2004	Porat et al.
RE38,479 E	3/2004	Henkin et al.	2004/0025268 A1	2/2004	Porat et al.
6,706,175 B1	3/2004	Rief et al.	2004/0074524 A1	4/2004	Horvath et al.
6,742,613 B2	6/2004	Erlich et al.	2004/0216251 A1	11/2004	Van Der Meijden et al.
6,751,822 B2	6/2004	Phillipson et al.	2005/0108836 A1	5/2005	Rowan et al.
6,758,226 B2	7/2004	Porat	2005/0262652 A1	12/2005	Sumonthee
6,782,578 B1 *	8/2004	Rief E04H 4/1654 15/1.7	2005/0279682 A1	12/2005	Davidson et al.
6,802,963 B2	10/2004	Campbell	2006/0042688 A1	3/2006	Sebor
6,815,918 B2	11/2004	Porat et al.	2006/0059637 A1	3/2006	Fridman et al.
6,842,931 B2	1/2005	Porat et al.	2006/0101596 A1	5/2006	Hui et al.
6,854,148 B1	2/2005	Rief et al.	2006/0207041 A1	9/2006	Van Der Meyden et al.
6,886,205 B1	5/2005	Pichon	2006/0225768 A1	10/2006	Erlich et al.
6,954,960 B2	10/2005	Pichon	2007/0028405 A1	2/2007	Garti
6,965,814 B2	11/2005	Hadari	2007/0056124 A1	3/2007	Wichmann et al.
6,971,136 B2	12/2005	Horvath et al.	2007/0067930 A1	3/2007	Garti
6,979,400 B2	12/2005	Bauckman et al.	2007/0094817 A1	5/2007	Stoltz et al.
7,039,980 B2	5/2006	Van Der Meyden et al.	2007/0251032 A1	11/2007	Pichon et al.
D524,495 S	7/2006	Ljunggren	2007/0272274 A1	11/2007	Adam et al.
7,080,424 B2	7/2006	Kallenbach et al.	2008/0060984 A1	3/2008	Henkin et al.
D526,101 S	8/2006	Blanc-Tailleur	2008/0087299 A1	4/2008	Erlich et al.
7,089,876 B2	8/2006	Porat	2008/0099409 A1	5/2008	Gorelik et al.
7,103,449 B2	9/2006	Woo et al.	2008/0128343 A1	6/2008	Garti
D529,669 S	10/2006	Blanc-Tailleur	2008/0202997 A1	8/2008	Davidson et al.
7,117,554 B2	10/2006	Pichon	2008/0222821 A1	9/2008	Pichon
7,118,632 B2	10/2006	Sumonthee	2008/0235887 A1	10/2008	Horvath et al.
7,118,678 B2	10/2006	Porat	2008/0236628 A1	10/2008	Horvath et al.
7,143,502 B2	12/2006	Porat et al.	2008/0250580 A1	10/2008	Lavabre et al.
7,165,284 B2	1/2007	Erlich et al.	2008/0276388 A1	11/2008	Dodd
D537,576 S	2/2007	Koury et al.	2008/0307589 A1	12/2008	Schneider et al.
7,178,188 B1	2/2007	Jaakola	2009/0045110 A1	2/2009	Garti
7,213,287 B2	5/2007	Hui	2009/0232701 A1	9/2009	Porat
D550,906 S	9/2007	Fritz et al.	2009/0255069 A1	10/2009	Hui
7,316,751 B2	1/2008	Horvath et al.	2009/0282627 A1	11/2009	Porat
7,318,448 B2	1/2008	Fleischer et al.	2009/0301522 A1	12/2009	Abehasera et al.
7,395,571 B2	7/2008	Van Der Meijden et al.	2009/0307854 A1	12/2009	Garti
D575,915 S	8/2008	Dreyer	2010/0043154 A1	2/2010	Kellogg
7,501,056 B2	3/2009	Henkin et al.	2010/0058546 A1	3/2010	Erlich
7,515,991 B2	4/2009	Egawa et al.	2010/0065482 A1	3/2010	Sumonthee
D598,168 S	8/2009	Sumonthee	2010/0122422 A1	5/2010	Hui
D599,967 S	9/2009	Blanc-Tailleur	2010/0132136 A1	6/2010	Sommer et al.
7,661,381 B2	2/2010	Gorelik et al.	2010/0306931 A1	12/2010	Garti
7,677,268 B2	3/2010	Griffin et al.	2011/0000030 A1	1/2011	Pichon et al.
7,682,461 B2	3/2010	Sommer et al.	2011/0000031 A1	1/2011	Pichon et al.
7,690,066 B2	4/2010	Stoltz et al.	2011/0000032 A1	1/2011	Pichon et al.
7,723,934 B2	5/2010	Adam et al.	2011/0000033 A1	1/2011	Pichon et al.
7,786,381 B2	8/2010	Henkin et al.	2011/0000034 A1	1/2011	Pichon et al.
7,805,792 B2	10/2010	Roumagnac	2011/0000035 A1	1/2011	Pichon et al.
7,827,643 B2	11/2010	Erlich et al.	2011/0000036 A1	1/2011	Pichon et al.
D630,808 S	1/2011	Dye et al.	2011/0005009 A1	1/2011	Pichon et al.
D630,809 S	1/2011	Dye et al.	2011/0016646 A1	1/2011	Pichon et al.
7,867,389 B2	1/2011	Hui	2011/0020139 A1	1/2011	Pichon et al.
7,900,308 B2	3/2011	Erlich et al.	2011/0023247 A1	2/2011	Pichon et al.
7,908,696 B2	3/2011	Pareti	2011/0047727 A1	3/2011	Pichon et al.
7,908,697 B2	3/2011	Lavabre et al.	2011/0067729 A1	3/2011	Erlich et al.
8,007,653 B2	8/2011	Porat	2011/0088181 A1	4/2011	Rief et al.
D661,033 S *	5/2012	Mastio D32/31	2011/0088182 A1	4/2011	Hui
8,266,752 B2	9/2012	Henkin et al.	2011/0154585 A1	6/2011	Mastio et al.
8,296,891 B1	10/2012	Rowam et al.	2011/0154586 A1	6/2011	Mastio et al.
D670,462 S *	11/2012	Mastio D32/21	2011/0155186 A1	6/2011	Mastio et al.
D670,464 S *	11/2012	Mastio D32/21	2011/0162683 A1	7/2011	Mastio et al.
8,307,485 B2	11/2012	Sumonthee	2011/0197932 A1	8/2011	Mastio et al.
8,343,339 B2	1/2013	Sumonthee	2011/0203060 A1	8/2011	Pichon et al.
8,393,033 B2	3/2013	Pichon et al.	2011/0302728 A1	12/2011	Sumonthee
8,402,585 B2	3/2013	Rief et al.	2011/0314617 A1	12/2011	Van Der Meijden et al.
8,434,182 B2	5/2013	Horvath et al.	2012/0060307 A1	3/2012	Stoltz
8,709,243 B2	4/2014	Hui	2012/0074050 A1 *	3/2012	Rief E04H 4/1209 210/167.16
8,784,652 B2	7/2014	Rief et al.	2012/0103365 A1	5/2012	Sumonthee
D760,459 S *	6/2016	Carter D32/31	2013/0152316 A1	6/2013	Rief et al.
2002/0104790 A1	8/2002	Lincke	2014/0042063 A1	2/2014	Rief
2002/0116772 A1	8/2002	Phillipson et al.	2014/0115796 A1 *	5/2014	Sebor E04H 4/1654 15/1.7
			2015/0020322 A1	1/2015	Rief et al.
			2015/0020368 A1	1/2015	Rief et al.

(56)

References Cited

U.S. PATENT DOCUMENTS

2015/0059106 A1 3/2015 Rief et al.
 2015/0076048 A1 3/2015 Rief et al.
 2016/0153210 A1* 6/2016 Sebor E04H 4/1654
 15/1.7

FOREIGN PATENT DOCUMENTS

DE	3110203	9/1982
EP	0314259	5/1989
EP	0323883	7/1989
EP	0426365	5/1991
EP	0468876	1/1992
EP	0565226	10/1993
EP	0657603	6/1995
EP	0990749	4/2000
EP	1122382	8/2001
EP	0990750	2/2007
EP	1785552	5/2007
EP	1921229	5/2008
EP	1489249	9/2008
EP	1849934	9/2009
FR	2584442	1/1987
FR	2693499	1/1994
FR	2729995	8/1996
FR	2864129	6/2005
FR	2925557	6/2009
FR	2929310	10/2009
WO	WO 87/00883	2/1987
WO	WO 90/09498	8/1990
WO	WO 99/63185	12/1999
WO	WO 01/27415	4/2001
WO	WO 01/92663	12/2001
WO	WO 01/92664	12/2001
WO	WO03/085225	10/2003
WO	WO 2004/038130	5/2004
WO	WO2005/007998	1/2005
WO	WO2005/118984	12/2005
WO	WO2006/109118	10/2006
WO	WO2006/121808	11/2006
WO	WO2007/055960	5/2007
WO	WO 2008/096323	8/2008
WO	WO 2008/102325	8/2008
WO	WO 2011/049594	4/2011
WO	WO 2014/052234	4/2014
WO	WO 2015/031150	3/2015

OTHER PUBLICATIONS

Design U.S. Appl. No. 29/508,549, filed Nov. 7, 2014, entitled "Pool Cleaner" (8 pages).
 Design U.S. Appl. No. 29/508,554, filed Nov. 7, 2014, entitled "Pool Cleaner" (8 pages).
 Office Action mailed Nov. 10, 2015, issued in connection with pending U.S. Appl. No. 13/568,838 (21 pages).
 Office Action mailed Nov. 3, 2015, issued in connection with pending U.S. Appl. No. 14/337,396 (7 pages).
 Tiger Shark Owner's Manual (Mar. 2007) (16 pages) Exact Date Unknown.
 Digital Image of Squirrel Cleaner (more than one year prior to Sep. 16, 2008) (1 page) Exact Date Unknown.
 Digital Image of Pool Rover Cleaner (more than one year prior to Sep. 16, 2008) (1 page) Exact Date Unknown.
 Digital Image of Robby Cleaner (more than one year prior to Sep. 16, 2008) (1 page) Exact Date Unknown.
 Digital Image of Dolphin Cleaner (more than one year prior to Sep. 16, 2008) (1 page) Exact Date Unknown.
 Digital Image of Merlin Cleaner (more than one year prior to Sep. 16, 2008) (1 page) Exact Date Unknown.
 Digital Image of Aquabot Cleaner (more than one year prior to Sep. 16, 2008) (1 page) Exact Date Unknown.

Dolphin Cleaner photos (3 pages) and Dolphin Cleaner page (2 pages) (Cleaner seen at a show circa Oct. 2009) Exact Date Unknown.
 Zodiac Cybernaut Manual (dated Sep. 3, 2006) (6 pages).
 Polaris 9300 and Vortex 3 Cleaners (manuals dated Copyright 2010 and V3 cleaner seen at a show circa Oct. 2009) (125 pages) Exact Date Unknown.
 Hexagone Cleaners (more than one year prior to Sep. 16, 2008) (8 pages).
 Caratti Catalog (dated 2007) (8 pages).
 Brock Catalog (dated 2005) (8 pages).
 Dolphin Dx2 Hybrid Advertisement (dated 2009) (2 pages).
 DX3 and DX4 Cleaners and Related Manuals (more than one year prior to Sep. 16, 2008) (17 pages) Exact Date Unknown.
 Picture Sheet Showing Multiple Commercial Cleaners (more than one year prior to Sep. 16, 2008) (1 page) Exact Date Unknown.
 Picture Sheet Showing Multiple Double-Wide Cleaners (more than one year prior to Sep. 16, 2008) (1 page) Exact Date Unknown.
 Smartpool Nitro Cleaner Manual (more than one year prior to Sep. 16, 2008) (56 pages) Exact Date Unknown.
 AquaBot Advertisement, Pool & Spa News (Oct. 2009) (2 pages).
 Wave Cleaner (cleaner seen at show circa Oct./Nov. 2008) (25 pages) Exact Date Unknown.
 U.S. Appl. No. 29/378,304 entitled "Pool Cleaner", filed Nov. 2, 2010 (8 pages).
 Office Action mailed Feb. 14, 2011 in connection with U.S. Appl. No. 12/211,720 (7 pages).
 Dolphin 2x2 (more than one year prior to Sep. 16, 2008) (8 pages).
 Hayward Tiger Shark Series Owner's Manual (16 pages) (more than one year prior to Nov. 2, 2009).
 Cleaner shown at archive.org, link for Apr. 4, 2007 (2 sheets): http://web.archive.org/web/20070404093845/http://www.mariner-3s.com/mariner_en/produkte/navigator/navigator.php.
 Office Action mailed Jun. 11, 2012 in connection with U.S. Appl. No. 12/938,041 (6 pages).
 Office Action mailed Aug. 28, 2012 in connection with U.S. Appl. No. 12/938,041 (11 pages).
 Notice of Allowance mailed May 4, 2009 issued in connection with U.S. Appl. No. 29/324,616, filed Sep. 16, 2008 (7 pages).
 Office Action mailed Oct. 11, 2011 issued in connection with U.S. Appl. No. 29/378,304 (5 pages).
 Notice of Allowance dated Feb. 15, 2012 issued in connection with U.S. Appl. No. 29/378,304 (4 pages).
 YouTube Video of Mopper Cleaner, <http://www.youtube.com/watch?v=d8NAUWH0QCk&feature=BFa&list=ULopZLfx7W4Po>, e.g., attached screen shots (45 pages).
 Notice of Allowance dated Jul. 6, 2012 issued in connection with U.S. Appl. No. 13/213,514 including Statement of Reasons for Allowance (7 pages).
 Office Action mailed Dec. 28, 2011 issued in connection with U.S. Appl. No. 13/213,514 (8 pages).
 Notice of Allowance dated Aug. 27, 2012 issued in connection with U.S. Appl. No. 12/211,720 (8 pages).
 Restriction Requirement mailed Jul. 19, 2010 issued in connection with U.S. Appl. No. 12/211,720 (7 pages).
 Office Action mailed Sep. 26, 2011 issued in connection with U.S. Appl. No. 12/211,720 (7 pages).
 Office Action mailed Nov. 7, 2013 issued in connection with U.S. Appl. No. 13/601,436 (33 pages).
 Notice of Allowance mailed Oct. 15, 2013 in connection with U.S. Appl. No. 12/938,041 (7 pages).
 Notice of Allowance mailed Jun. 2, 2014, from U.S. Appl. No. 12/890,069 (7 pages).
 Notice of Allowance mailed Feb. 6, 2014, from U.S. Appl. No. 12/890,069 (7 pages).
 Office Action mailed Apr. 26, 2013 issued in connection with U.S. Appl. No. 12/938,041 (8 pages).
 Notice of Allowance dated May 10, 2012 issued in connection with U.S. Appl. No. 12/211,720 (7 pages).
 Notice of Allowance dated Feb. 2, 2012 from U.S. Appl. No. 12/211,720 (7 pages).
 Office Action mailed Nov. 13, 2013 issued in connection with European Patent Application Serial No. 05753885.2 (11 pages).

(56)

References Cited

OTHER PUBLICATIONS

Office Action mailed Mar. 12, 2013 issued in connection with U.S. Appl. No. 13/722,112 (11 pages).

Office Action mailed Apr. 3, 2013, from U.S. Appl. No. 12/890,069 (8 pages).

Office Action mailed Sep. 30, 2013, from U.S. Appl. No. 12/890,069 (7 pages).

Notice of Allowance mailed Oct. 1, 2003, from U.S. Appl. No. 10/279,520 (8 pages).

Notice of Allowance dated Oct. 23, 2014 issued by the Canadian intellectual Property Office in connection with Canadian Patent Application No. 2,774,338 (1 page).

Office Action mailed Feb. 19, 2014, from U.S. Appl. No. 12/938,041 (12 pages).

Requisition dated Nov. 18, 2013 issued by the Canadian Intellectual Property Office in connection with Canadian Patent Application No. 2,774,338 (2 pages).

Written Opinion of the International Searching Authority mailed on Feb. 6, 2015, issued in connection with International Application No. PCT/US2014/52034 (10 pages).

International Search Report of the International Searching Authority mailed on Feb. 6, 2015, issued in connection with International Application No. PCT/US2014/52034 (4 pages).

Written Opinion of the International Searching Authority mailed on Apr. 23, 2014, issued in connection with International Application No. PCT/US2013/61174 (5 pages).

International Search Report of the International Searching Authority mailed on Apr. 23, 2014, issued in connection with International Application No. PCT/US2013/61174 (5 pages).

International Search Report of the International Searching Authority mailed on Dec. 8, 2004, issued in connection with International Application No. PCT/US2003/33519 (2 pages).

International Search Report of the International Searching Authority mailed on Apr. 20, 2004, issued in connection with International Application No. PCT/US2003/32503 (1 page).

Notice of Allowance mailed May 5, 2004, from U.S. Appl. No. 10/296,779 (6 pages).

Office Action mailed May 9, 2008, from U.S. Appl. No. 11/770,831 (8 pages).

Office Action mailed Sep. 18, 2008, from U.S. Appl. No. 11/770,831 (7 pages).

Office Action mailed Jan. 27, 2015, from U.S. Appl. No. 13/568,838 (18 pages).

Notice of Allowance mailed Dec. 13, 2012, from U.S. Appl. No. 12/581,405 (12 pages).

International Search Report of the International Searching Authority mailed on Nov. 2, 2010, issued in connection with International Application No. PCT/US2010/02359 (2 pages).

Written Opinion of the International Searching Authority mailed on Nov. 2, 2010, issued in connection with International Application No. PCT/US2010/02359 (5 pages).

Notice of Allowance mailed Nov. 18, 2008, from U.S. Appl. No. 11/770,831 (4 pages).

International Search Report of the International Searching Authority mailed on Oct. 13, 2000, issued in connection with International Application No. PCT/US00/40167 (1 page).

International Preliminary Examination Report dated Jun. 7, 2001, issued in connection with International Application No. PCT/US2000/28144 (3 pages).

International Search Report of the International Searching Authority mailed on Jan. 19, 2001, issued in connection with International Application No. PCT/US2000/28144 (1 page).

Office Action mailed Jun. 29, 2004, from U.S. Appl. No. 10/296,778 (9 pages).

Notice of Allowance mailed Oct. 19, 2004, from U.S. Appl. No. 10/296,778 (7 pages).

International Search Report of the International Searching Authority mailed on Sep. 7, 2000, issued in connection with International Application No. PCT/US2000/14770 (1 page).

International Preliminary Examination Report dated Mar. 13, 2002, issued in connection with International Application No. PCT/US2000/14770 (7 pages).

International Search Report of the International Searching Authority mailed on Oct. 3, 2000, issued in connection with International Application No. PCT/US2000/14771 (1 page).

International Preliminary Examination Report dated Aug. 19, 2002, issued in connection with International Application No. PCT/US2000/14771 (15 pages).

International Search Report of the International Searching Authority mailed on Sep. 18, 2000, issued in connection with International Application No. PCT/US00/14772 (2 pages).

International Preliminary Examination Report dated Jun. 21, 2001, issued in connection with International Application No. PCT/US2000/14772 (7 pages).

Photo of Zodiac pool cleaner, printed on Aug. 3, 2012 from www.zodiacpoolsystems.com.

Office Action mailed Jul. 21, 2015, from U.S. Appl. No. 13/627,637 (11 pages).

Office Action mailed Aug. 11, 2016, issued in connection with U.S. Appl. No. 29/508,541 (8 pages).

Office Action mailed Aug. 3, 2016, issued in connection with U.S. Appl. No. 29/508,549 (7 pages).

Office Action mailed Aug. 26, 2016, issued in connection with U.S. Appl. No. 29/508,554 (6 pages).

* cited by examiner

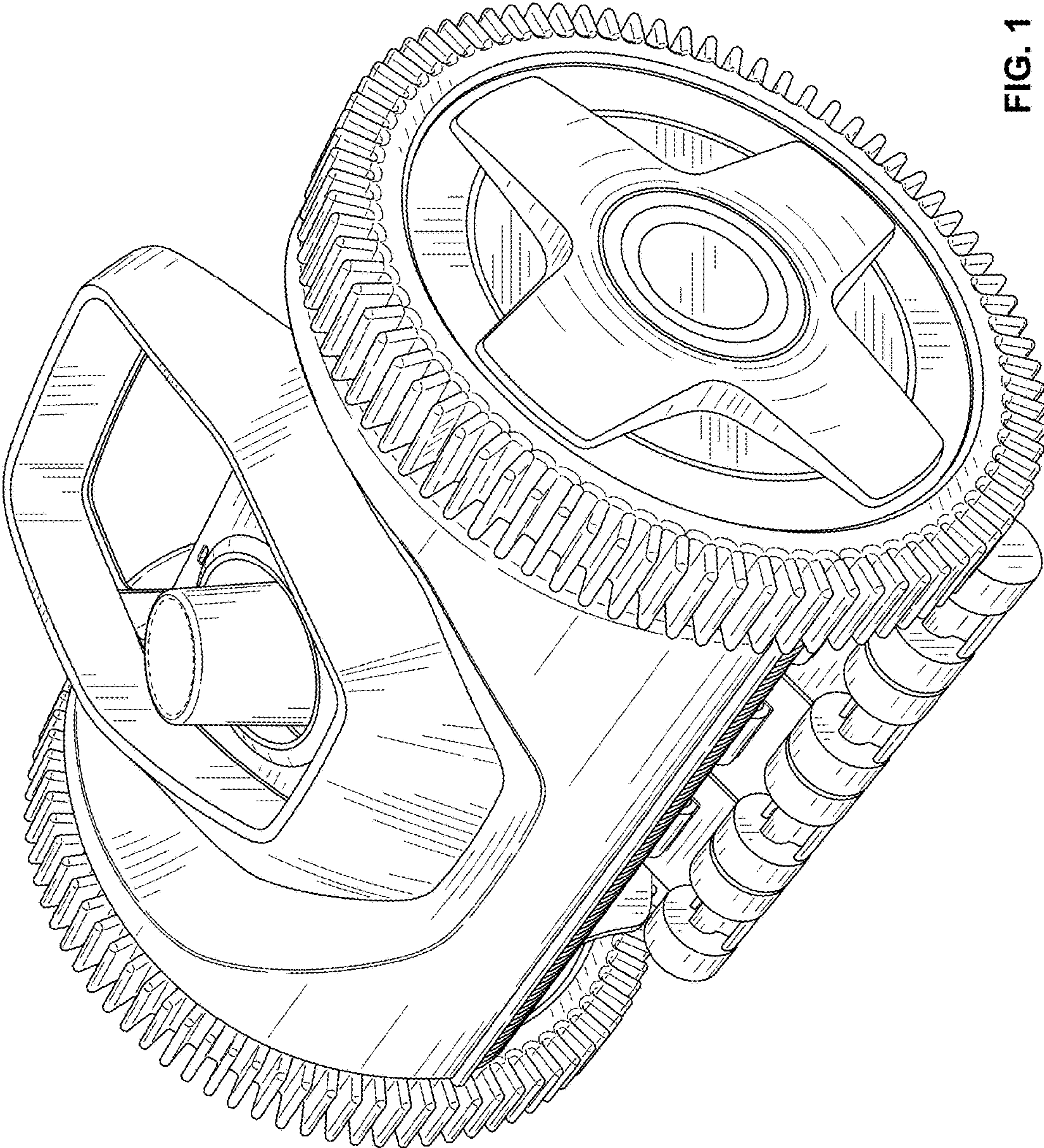


FIG. 1

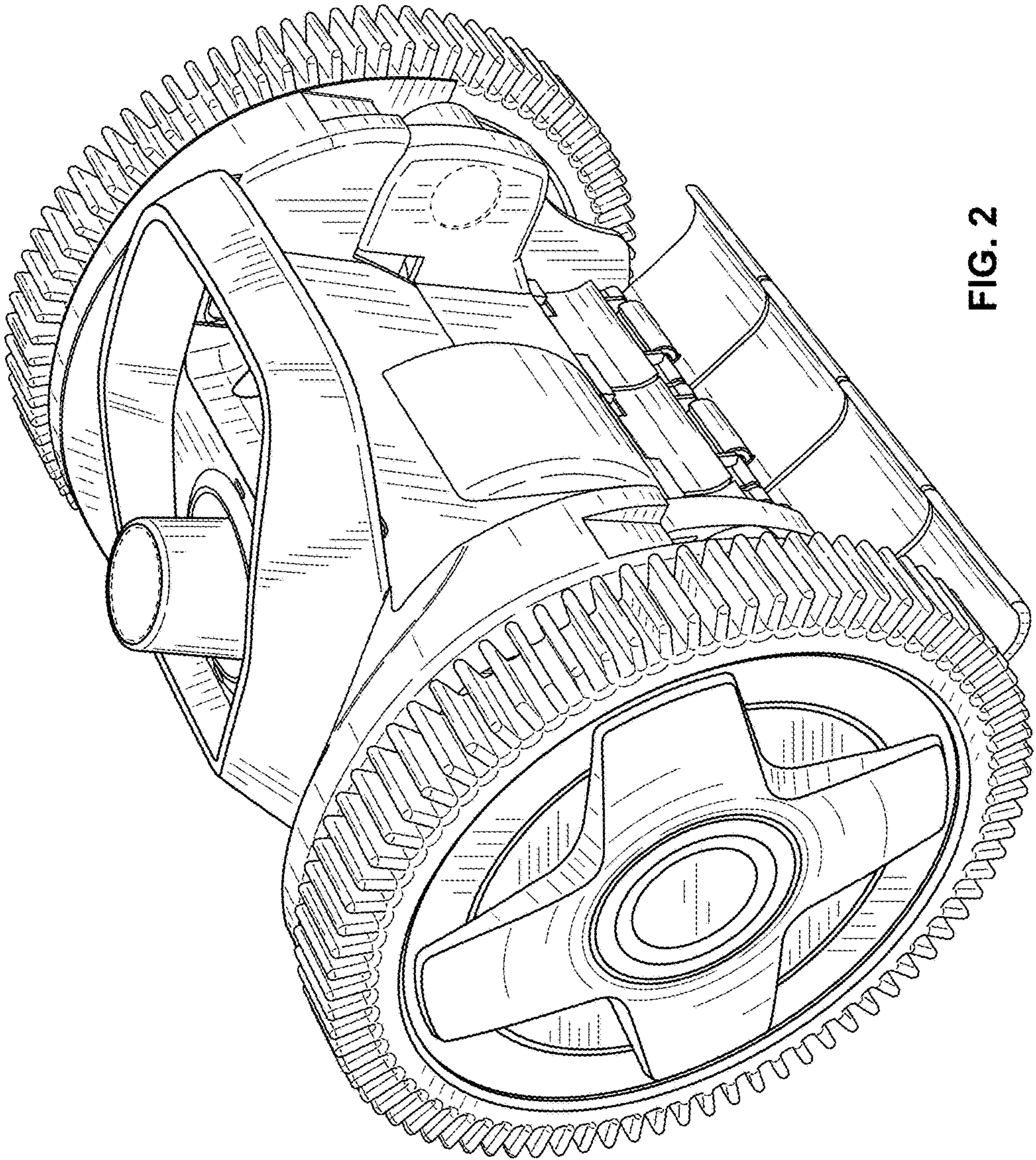


FIG. 2

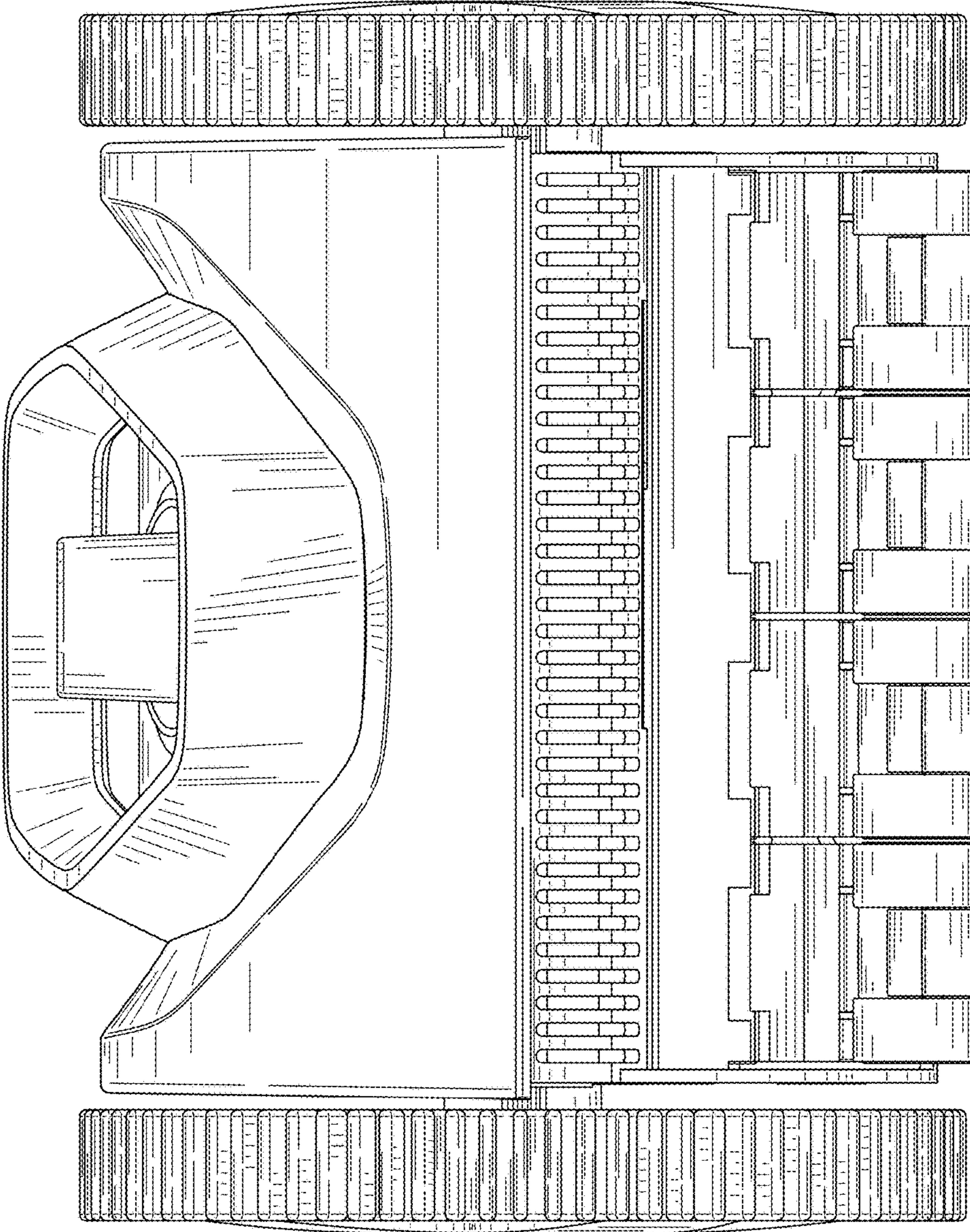


FIG. 3

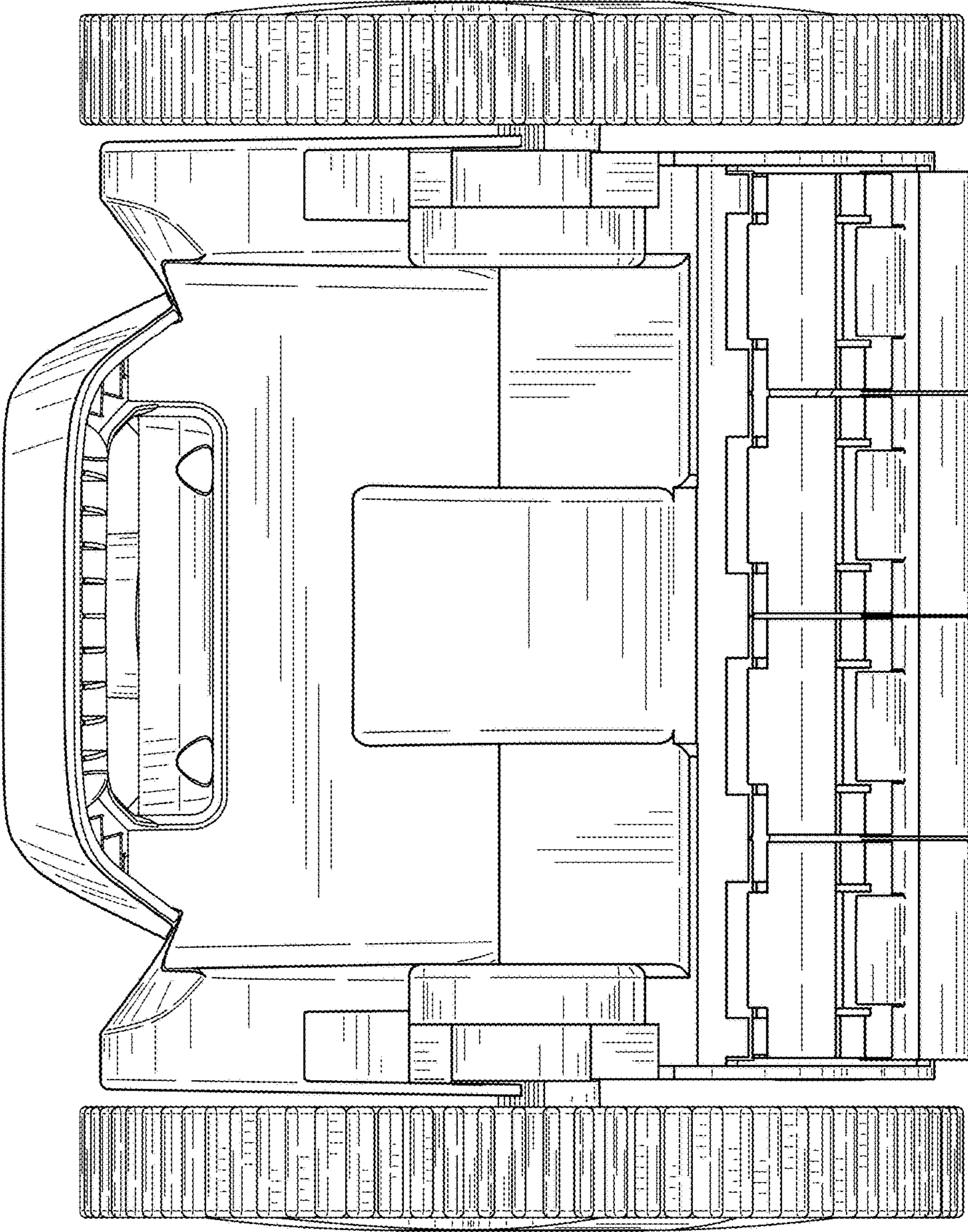


FIG. 4

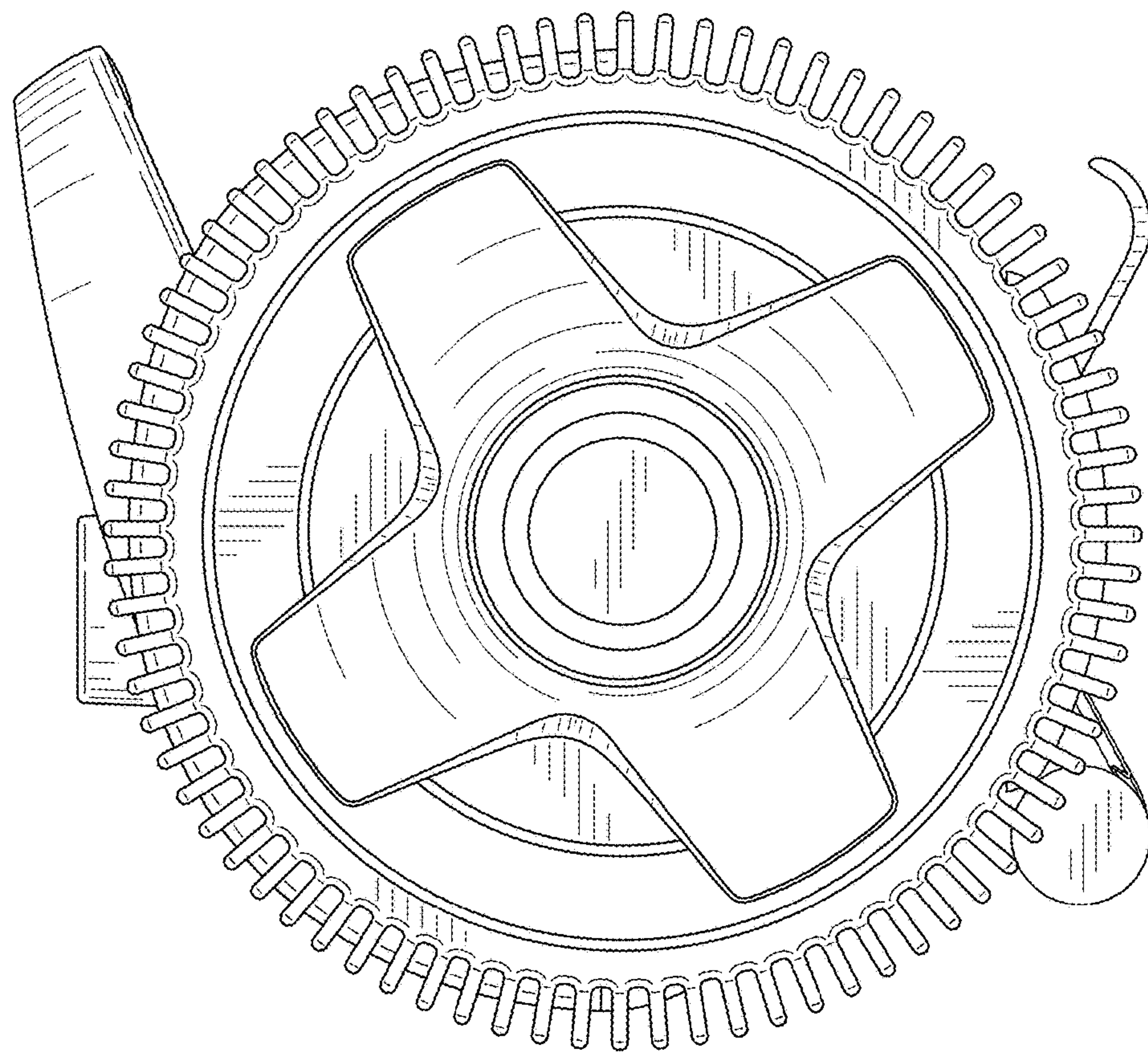


FIG. 5

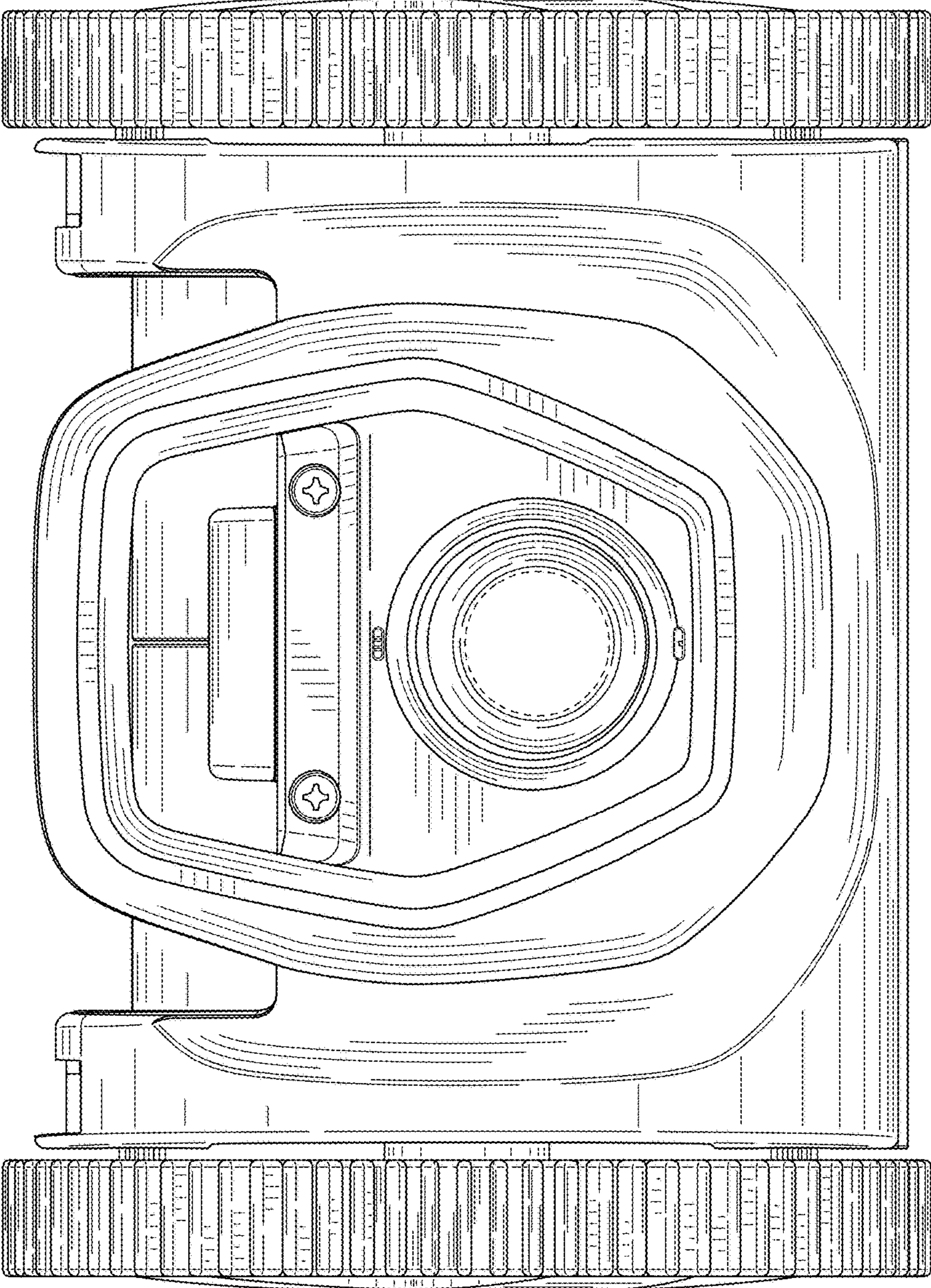


FIG. 6