



US00D789002S

(12) **United States Design Patent**
Slone

(10) **Patent No.:** **US D789,002 S**

(45) **Date of Patent:** **** Jun. 6, 2017**

- (54) **CAT LITTER BOX FOR TOILET**
- (71) Applicant: **Elizabeth Slone**, Lexington, KY (US)
- (72) Inventor: **Elizabeth Slone**, Lexington, KY (US)
- (**) Term: **15 Years**
- (21) Appl. No.: **29/536,907**
- (22) Filed: **Aug. 20, 2015**

Related U.S. Application Data

- (63) Continuation-in-part of application No. 29/529,053, filed on Jun. 3, 2015, now Pat. No. Des. 739,617.
- (51) **LOC (10) Cl.** **30-99**
- (52) **U.S. Cl.**
USPC **D30/161**
- (58) **Field of Classification Search**
USPC D30/161
CPC A01K 1/011; A01K 1/0107; A01K 1/0117;
A01K 1/0121; A01K 1/0125; A47K
11/02; A47K 11/06; A47K 13/00; A47K
13/06; A47K 13/14
See application file for complete search history.

References Cited

U.S. PATENT DOCUMENTS

2,053,594 A	9/1936	Albert	
3,688,742 A	9/1972	McGee	
3,757,738 A *	9/1973	Hall	A01K 1/0121 119/162
D231,936 S *	6/1974	Sixten	D30/161
3,949,429 A *	4/1976	Hall	A01K 1/0121 119/162
D249,369 S *	9/1978	Kullenback	D30/161
D256,735 S *	9/1980	Denk	D30/161
D271,435 S *	11/1983	Kullenback	D30/161
5,103,772 A	4/1992	Schmid	
D371,873 S	7/1996	Brassfield	

5,640,928 A *	6/1997	Rymer	A01K 1/0121 119/162
6,341,578 B1 *	1/2002	Berube	A01K 1/0121 119/162
6,418,880 B1	7/2002	Chiu	
6,701,539 B1 *	3/2004	Hogan	A47K 13/06 119/162
D492,984 S *	7/2004	Kitamura	D30/161
6,860,231 B1	3/2005	Rus	
7,216,376 B2 *	5/2007	Samuels	A47K 4/00 4/239
7,882,805 B2	2/2011	Yu	
7,963,251 B2	6/2011	Lapidge et al.	
8,051,804 B1	11/2011	Rescate	
8,671,888 B1	3/2014	Lei et al.	

(Continued)

Primary Examiner — Cathy Anne MacCormac
(74) *Attorney, Agent, or Firm* — Michael Coblenz

(57) **CLAIM**

The ornamental design for a cat litter box for toilet, as shown and described.

DESCRIPTION

FIG. 1 is a top perspective view of a cat litter box for toilet showing my new design in position on a representative toilet;

FIG. 2 is another top perspective view thereof;

FIG. 3 is a bottom perspective view thereof;

FIG. 4 is a top plan view thereof;

FIG. 5 is a bottom plan view thereof;

FIG. 6 is a detail view indicated by circle 6 in FIG. 5.

FIG. 7 is a back elevation view thereof;

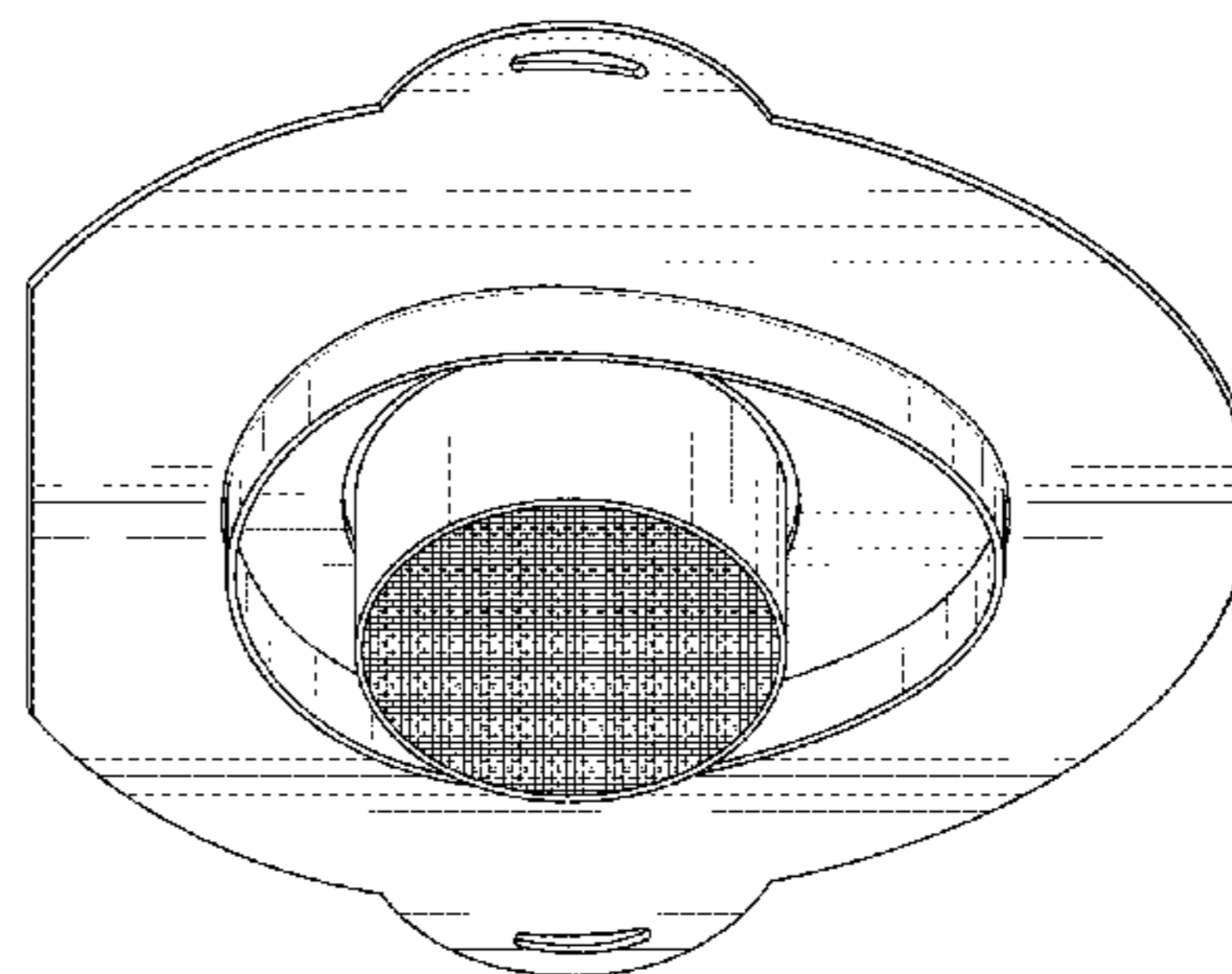
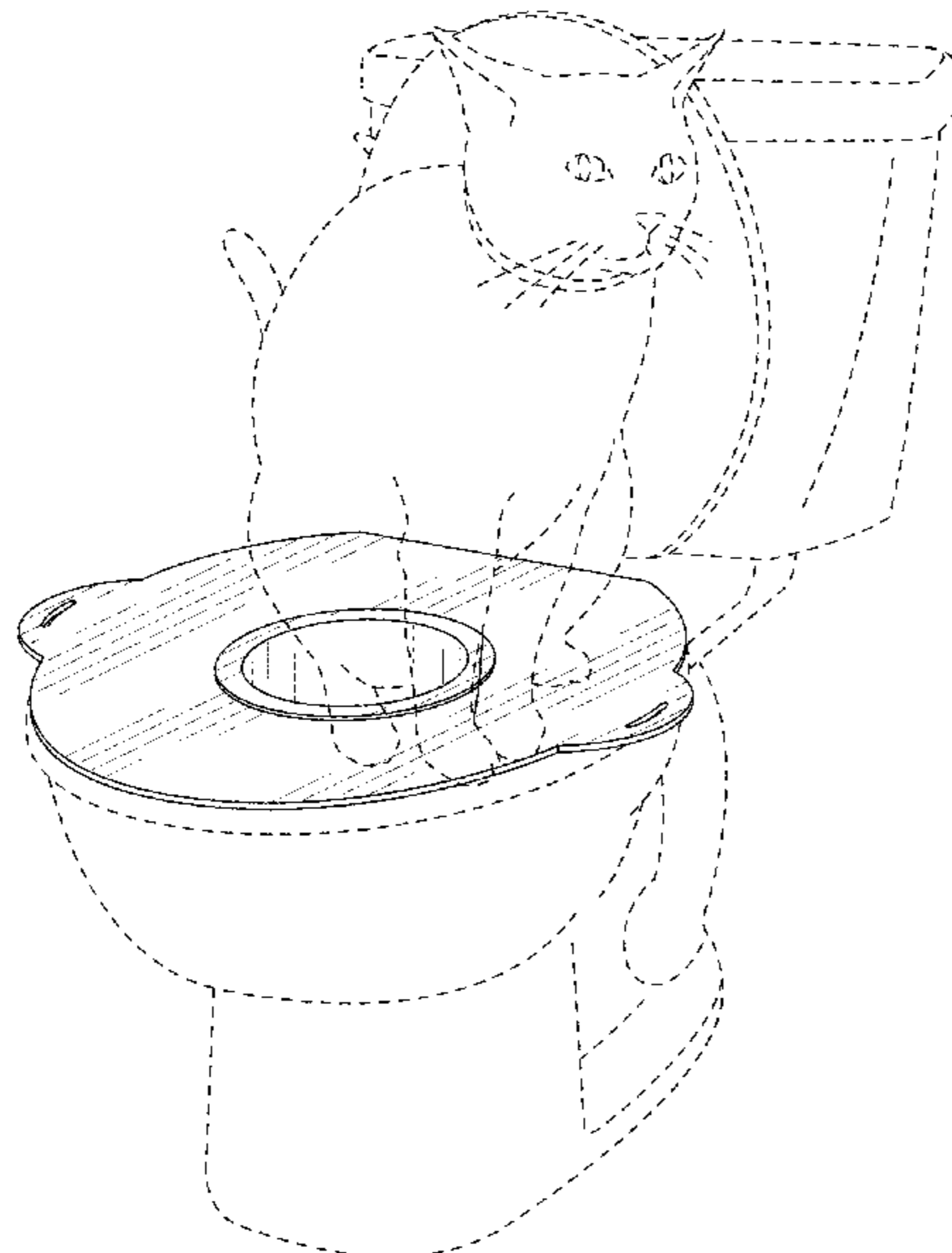
FIG. 8 is a front elevation view thereof;

FIG. 9 is a left side elevation view thereof; and,

FIG. 10 is a right side elevation view thereof.

The broken lines depict environmental subject matter, are for illustration only, and form no part of the claimed design.

1 Claim, 7 Drawing Sheets



(56)

References Cited

U.S. PATENT DOCUMENTS

2002/0078899 A1* 6/2002 Chiu A01K 1/0121
119/162
2004/0210997 A1* 10/2004 Samuels A47K 4/00
4/484
2005/0268388 A1* 12/2005 Young A47K 13/06
4/239
2009/0044323 A1* 2/2009 Feenster A47K 13/06
4/300
2012/0042443 A1* 2/2012 Aguila A47K 13/06
4/245.6

* cited by examiner

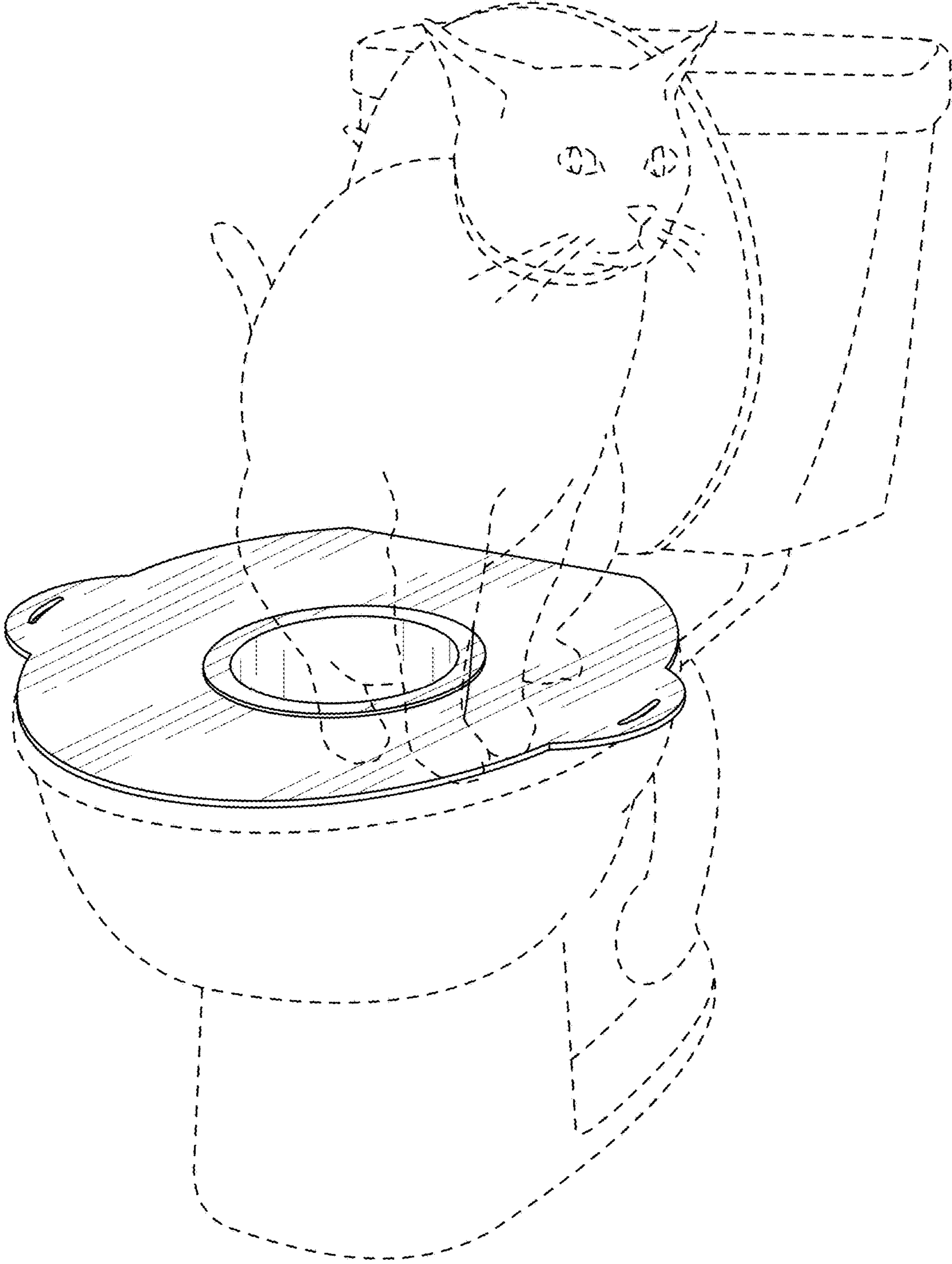


FIG. 1

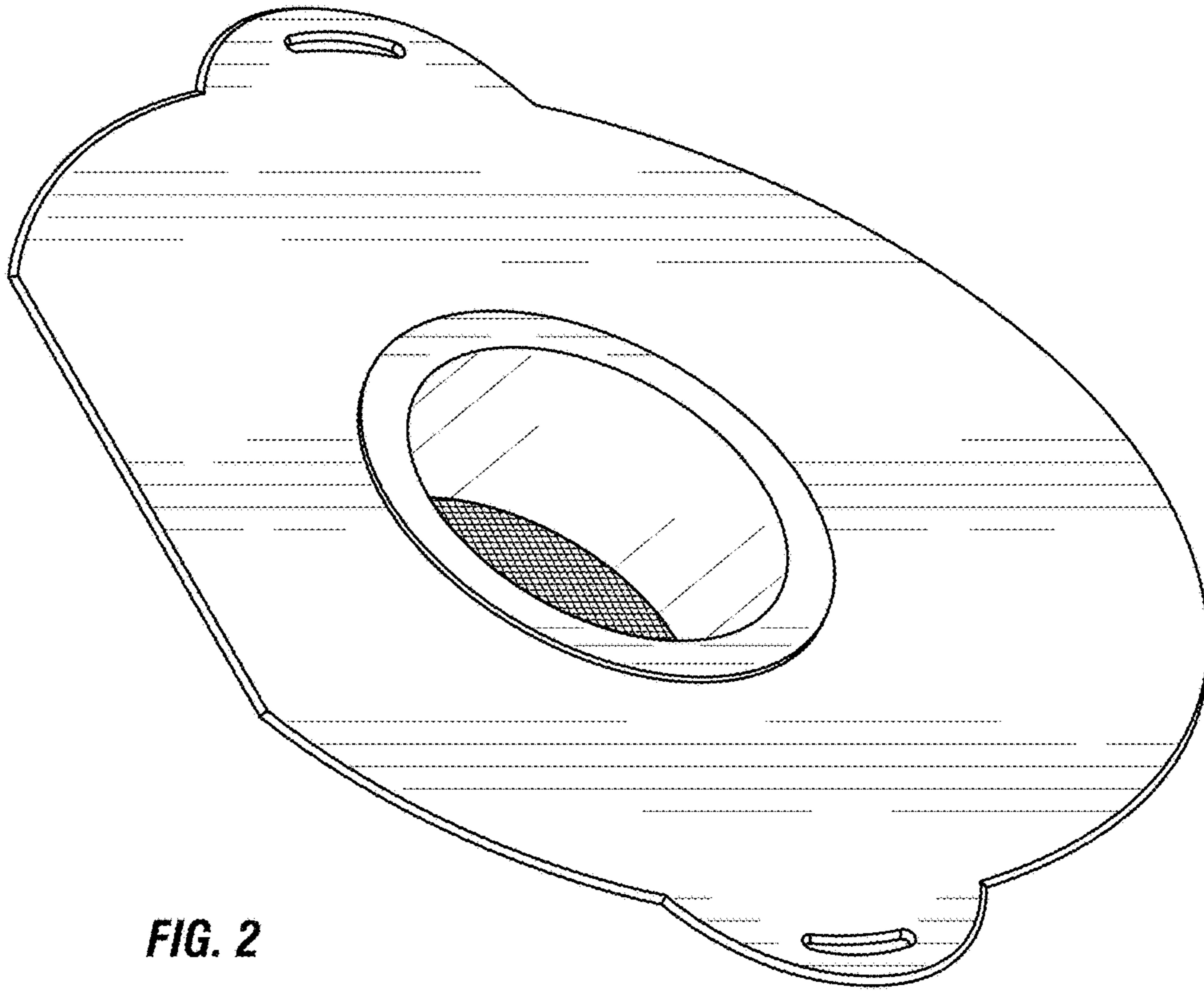


FIG. 2

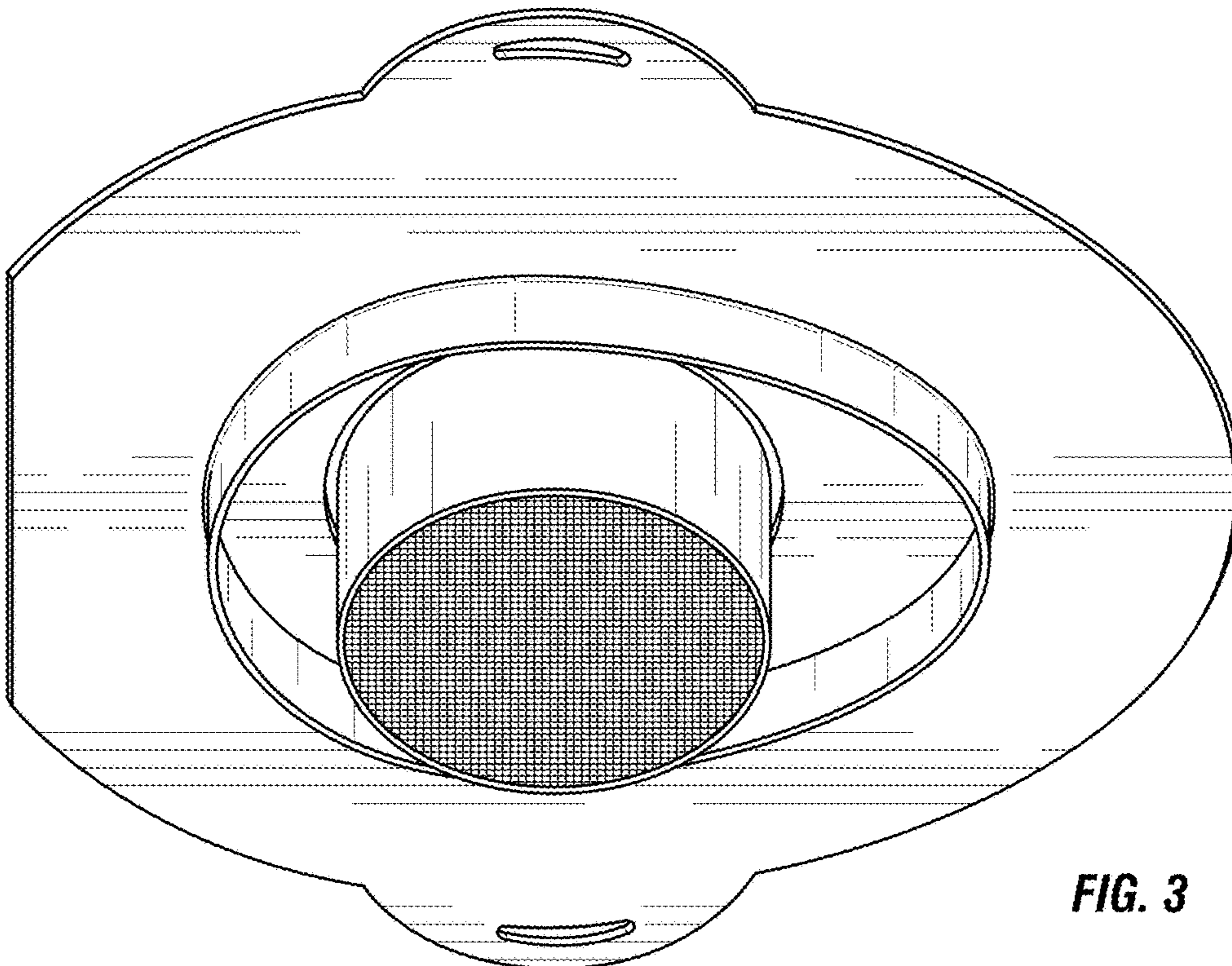


FIG. 3

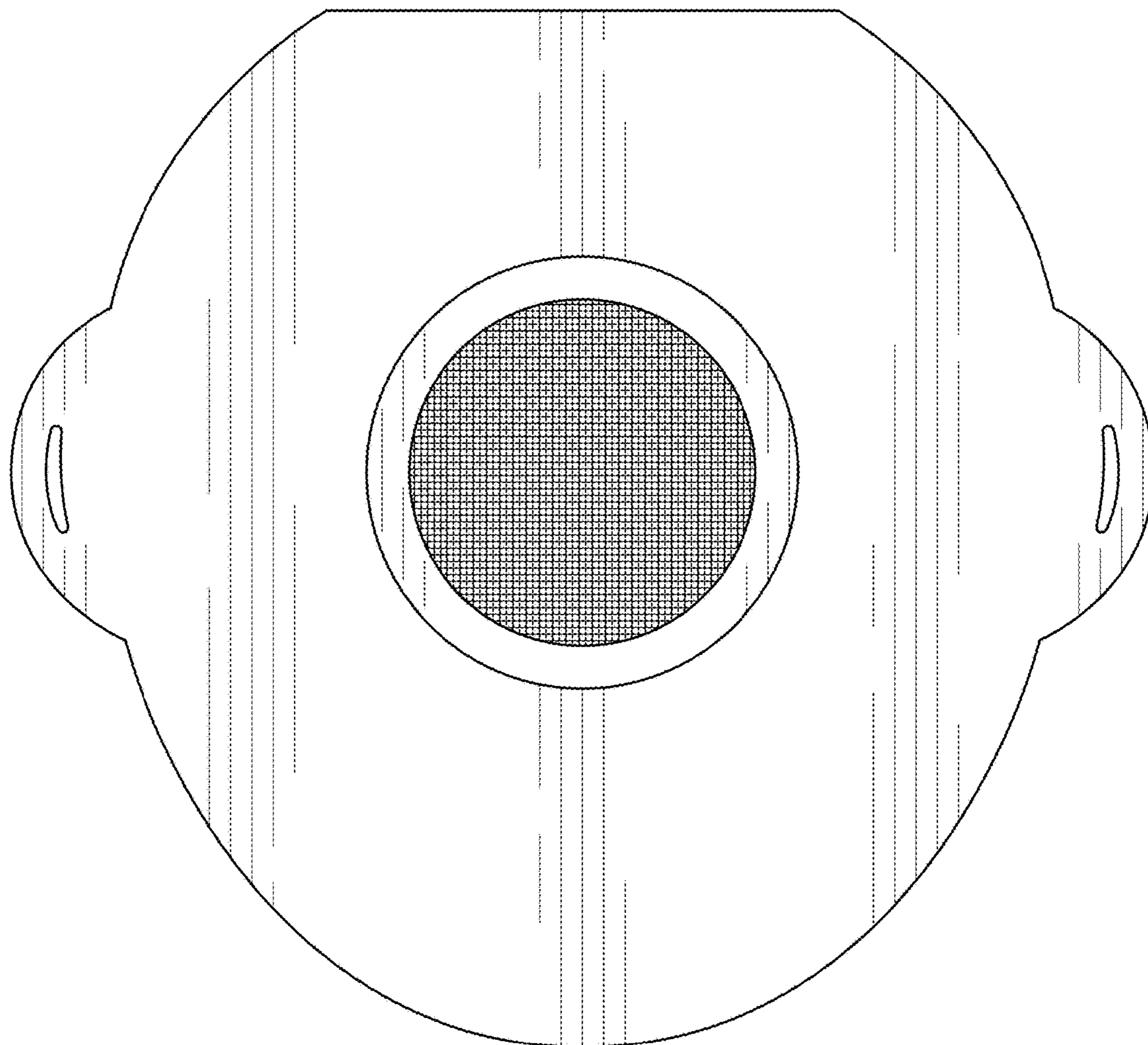


FIG. 4

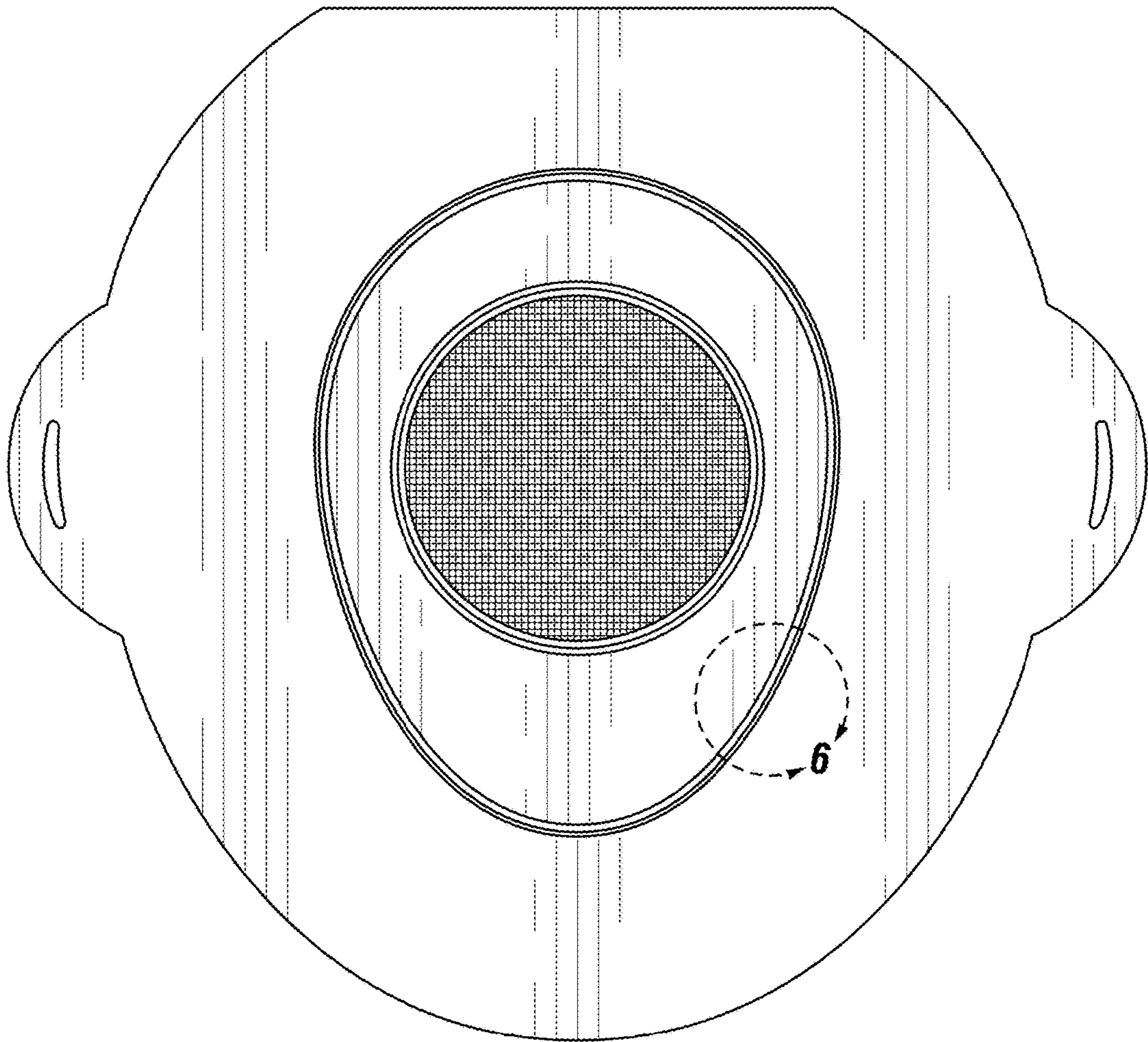


FIG. 5

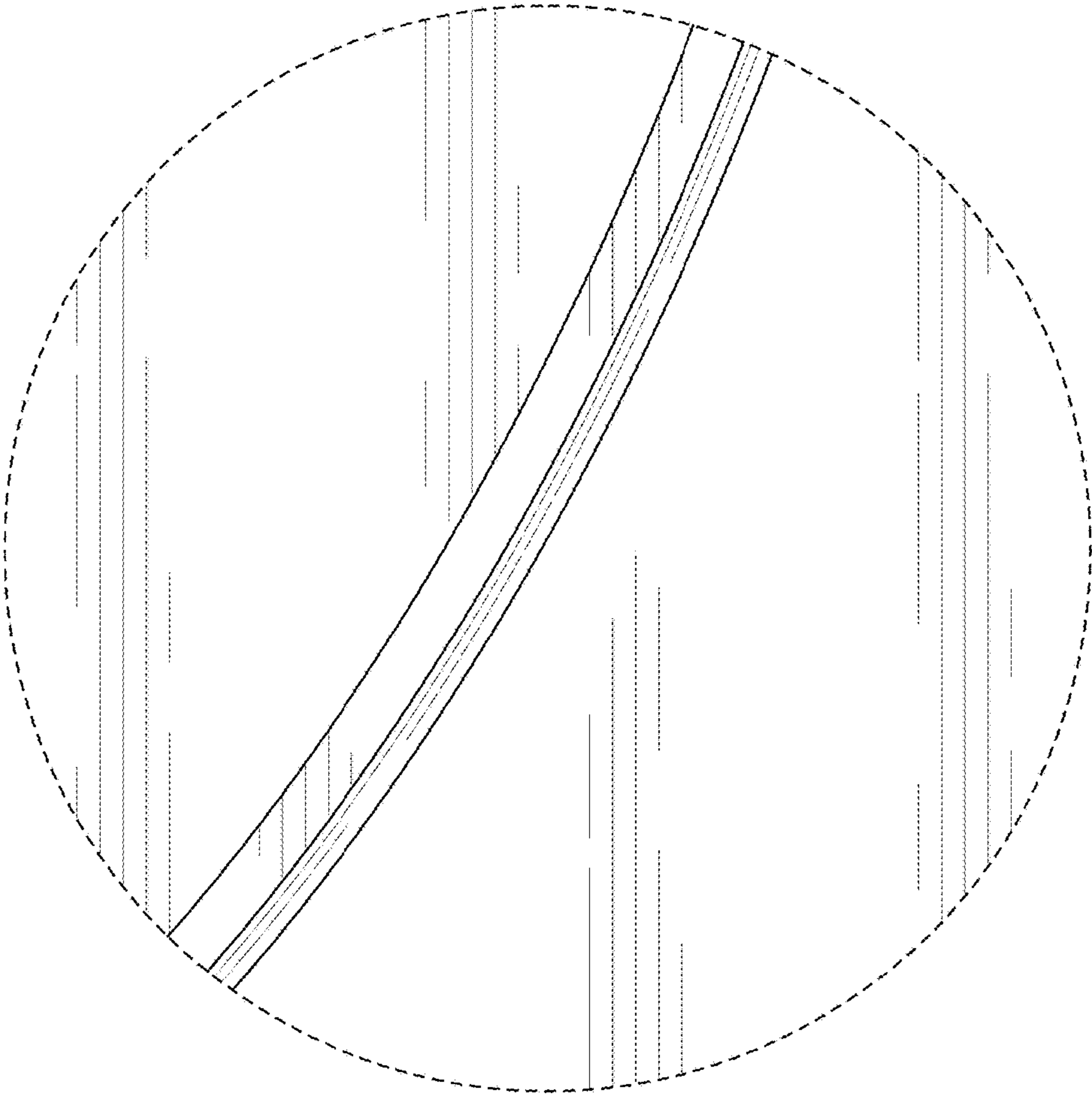


FIG. 6

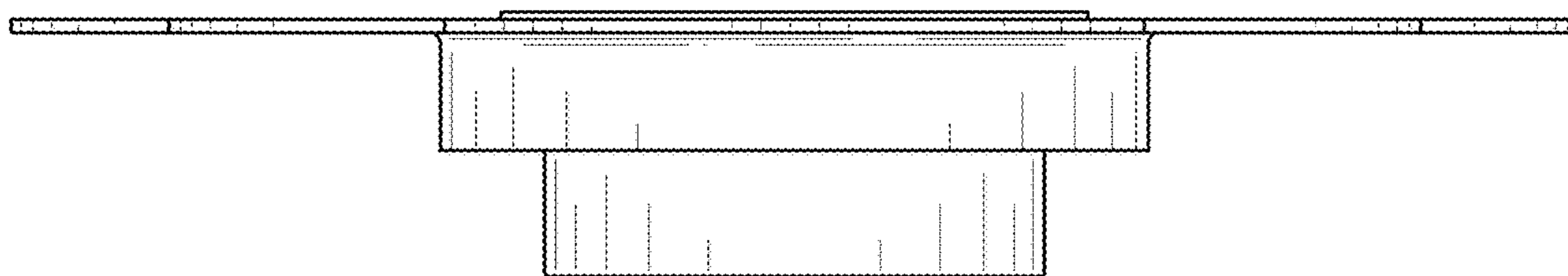


FIG. 7

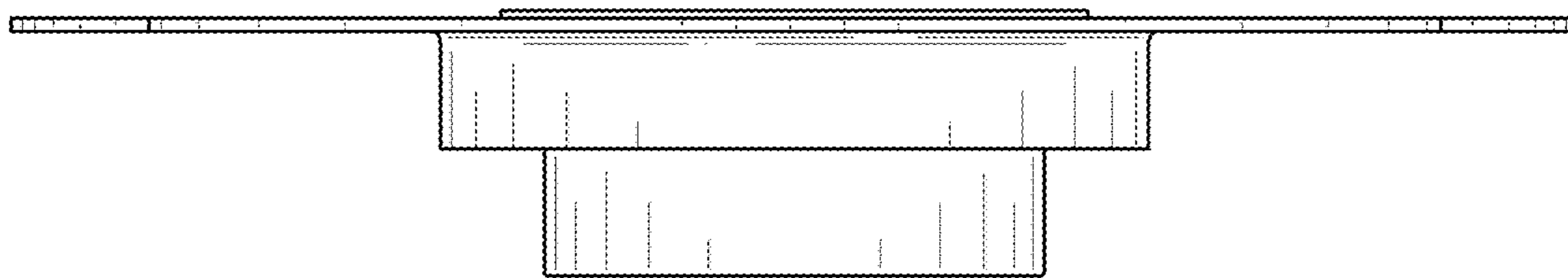


FIG. 8

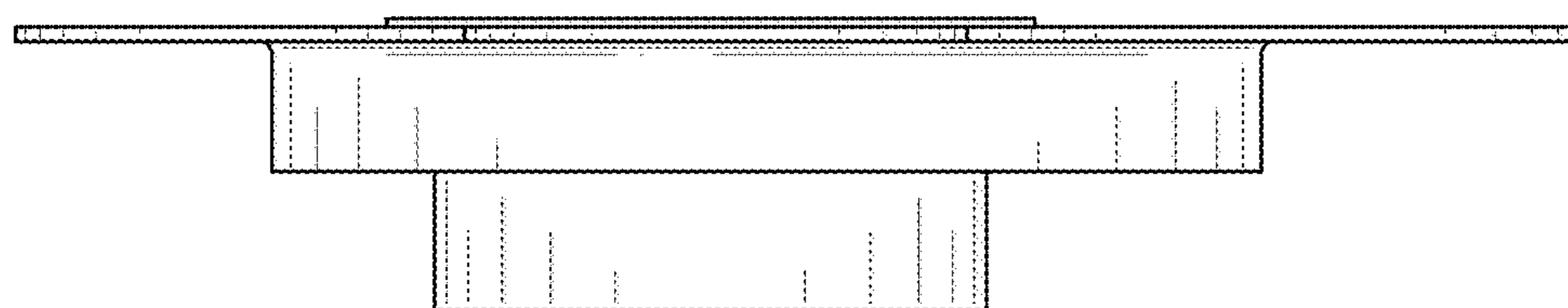


FIG. 9

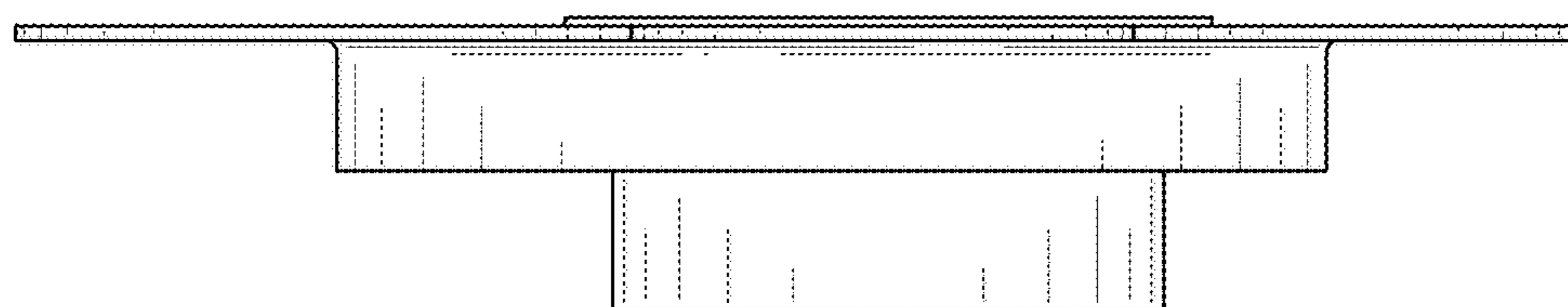


FIG. 10