



US00D788997S

(12) **United States Design Patent** (10) **Patent No.:** **US D788,997 S**  
**Fore** (45) **Date of Patent:** **\*\* Jun. 6, 2017**

(54) **PET BOWTIE FOR ATTACHING TO A PET COLLAR**

(71) Applicant: **Wondermento, Inc.**, St. Louis, MO (US)

(72) Inventor: **Betsy Fore**, St. Louis, MO (US)

(73) Assignee: **WONDERMENTO, INC.**, Long Island City, NY (US)

(\*\*) Term: **14 Years**

(21) Appl. No.: **29/513,743**

(22) Filed: **Jan. 5, 2015**

(51) **LOC (10) Cl.** ..... **30-01**

(52) **U.S. Cl.**  
USPC ..... **D30/145; D30/199**

(58) **Field of Classification Search**  
USPC ..... D30/121, 144, 145, 154, 160, 161, 199;  
119/654, 712, 769, 770, 792, 793, 795,  
119/850, 856, 858, 863, 868; 2/102, 171,  
2/181.4, 184.5, 202, 207, 467; 54/79.1,  
54/79.2, 79.3, 79.4, 80.1; 602/60, 61  
CPC .... A01K 27/006; A01K 13/00; A01K 13/006;  
A01K 13/008; A01K 23/00; A01K 29/00  
See application file for complete search history.

(56) **References Cited**

**U.S. PATENT DOCUMENTS**

D312,515 S *	11/1990	Hall	.....	D30/160
D422,653 S *	4/2000	Hedberg	.....	D21/623
D527,497 S *	8/2006	Grimes	.....	D30/160
D617,059 S *	6/2010	Akrey	.....	D30/154
D621,103 S *	8/2010	Kim	.....	D30/160
D714,000 S *	9/2014	Kononov	.....	D30/199
D715,007 S *	10/2014	Hutchinson	.....	D30/152
D740,500 S *	10/2015	Wickens	.....	D30/160
2003/0150402 A1 *	8/2003	Muller	.....	A01K 27/001 119/856

2005/0257752 A1 *	11/2005	Langer	.....	A01K 27/009 119/712
2006/0278178 A1 *	12/2006	Morrison-Gale	....	A01K 27/006 119/858
2015/0173439 A1 *	6/2015	Whitaker	.....	A41D 25/02 2/148

**OTHER PUBLICATIONS**

“Wondermento: WonderWoof”. Found online Jan. 7, 2016 at wondermento.com. Page dated Mar. 2, 2014. Retrieved from <http://web.archive.org/web/20140302201157/http://wondermento.com/wonderwoof.html>.\*

“Startup Compete: Wondermento”. Found online Jan. 7, 2016 at startupcpmpete.co. Page dated Jun. 9, 2014. Retrieved from <http://startupcompete.co/startup-idea/internet-consumer-goods-green/wondermento/25085>.\*

(Continued)

*Primary Examiner* — Robert M Spear

*Assistant Examiner* — Kendra L Hamilton

(74) *Attorney, Agent, or Firm* — Polsinelli PC

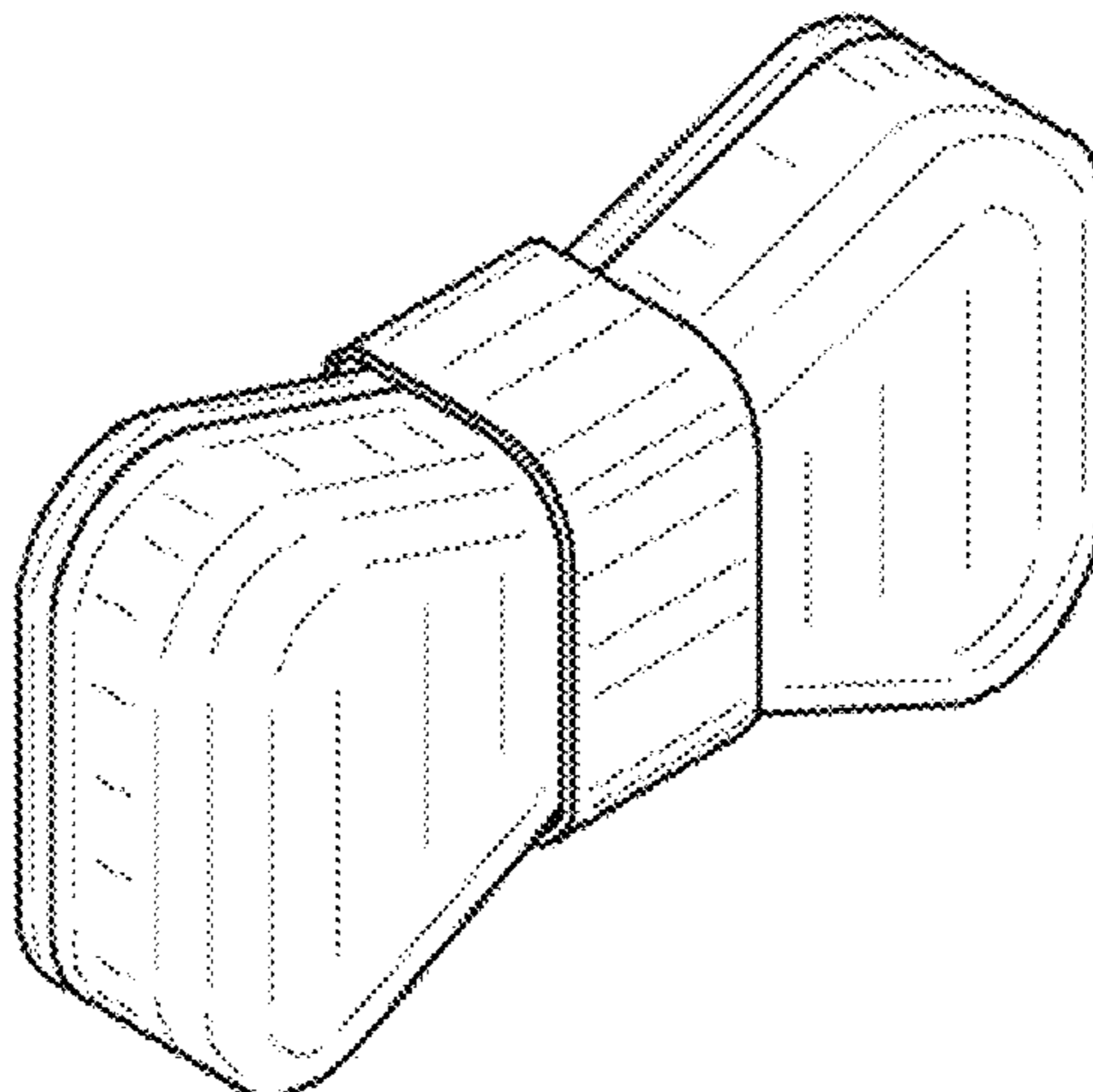
(57) **CLAIM**

The ornamental design for a pet bowtie for attaching to a pet collar, as shown and described.

**DESCRIPTION**

FIG. 1 is a perspective view of a pet bowtie for attaching to a pet collar according to my new design; FIG. 2 is a front elevation view of the pet bowtie of FIG. 1; FIG. 3 is a rear elevation view of the pet bowtie of FIG. 1; FIG. 4 is a right elevation view of the pet bowtie of FIG. 1; FIG. 5 is a left elevation view of the pet bowtie of FIG. 1; FIG. 6 is a top plan view of the pet bowtie of FIG. 1; and, FIG. 7 is a bottom plan view of the pet bowtie of FIG. 1.

**1 Claim, 1 Drawing Sheet**



(56)

**References Cited**

OTHER PUBLICATIONS

“Trends: 5 Cool Pieces of Wearable Pet Technology”. Found online Jan. 7, 2016 at [styletails.com](http://www.styletails.com). Page dated Sep. 11, 2014. Retrieved from <http://www.styletails.com/2014/09/11/trends-5-cool-pieces-of-wearable-pet-technology/>.\*

“Seven Dog Doo Bag Dispensers”. Found online Jan. 7, 2016 at [wonderblog.squarespace.com](http://wonderblog.squarespace.com). Page dated Sep. 22, 2014. Retrieved from <http://wonderblog.squarespace.com/blog/2014/9/18/seven-dog-doo-bag-dispensers>.\*

\* cited by examiner

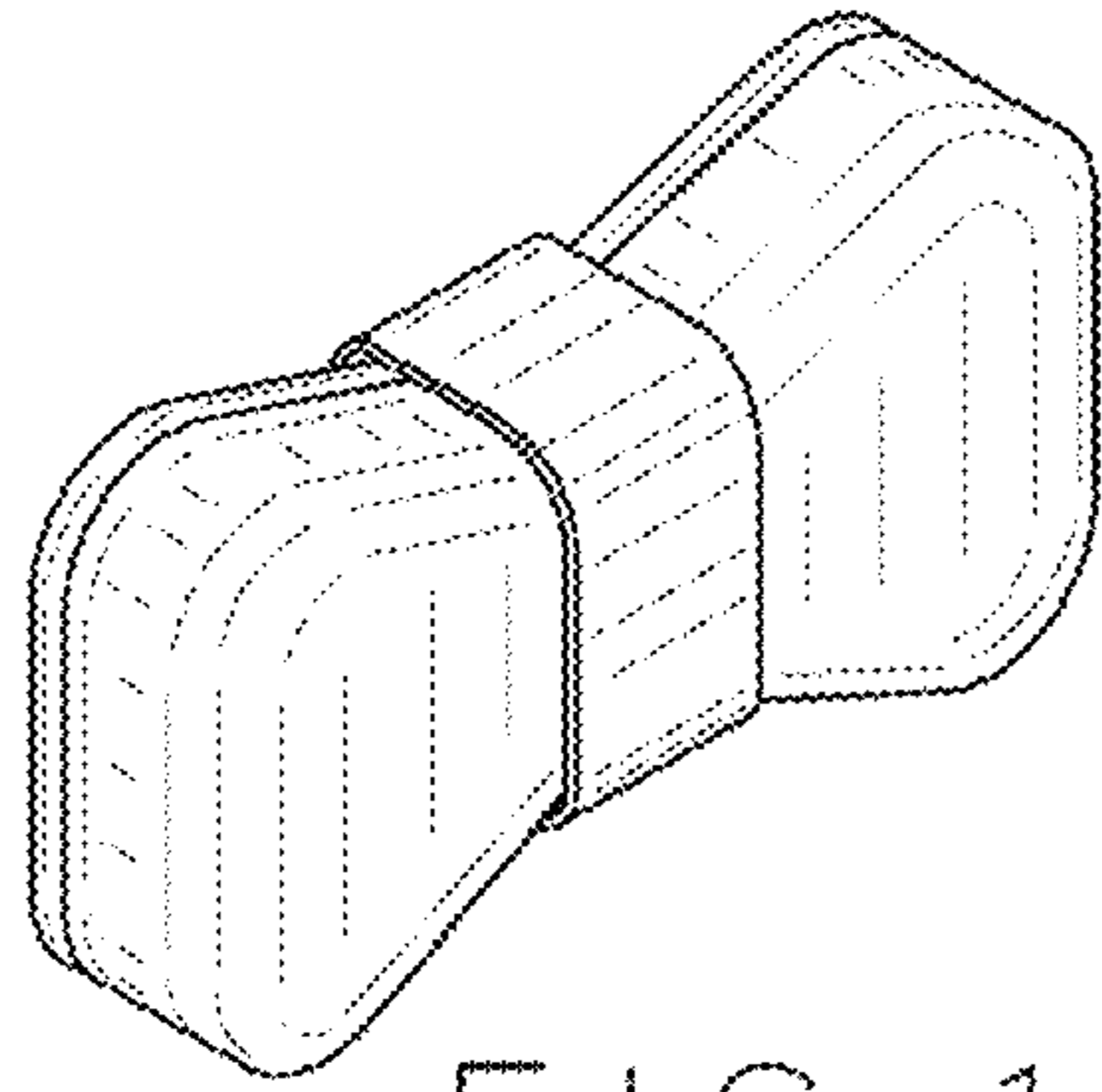


FIG. 1

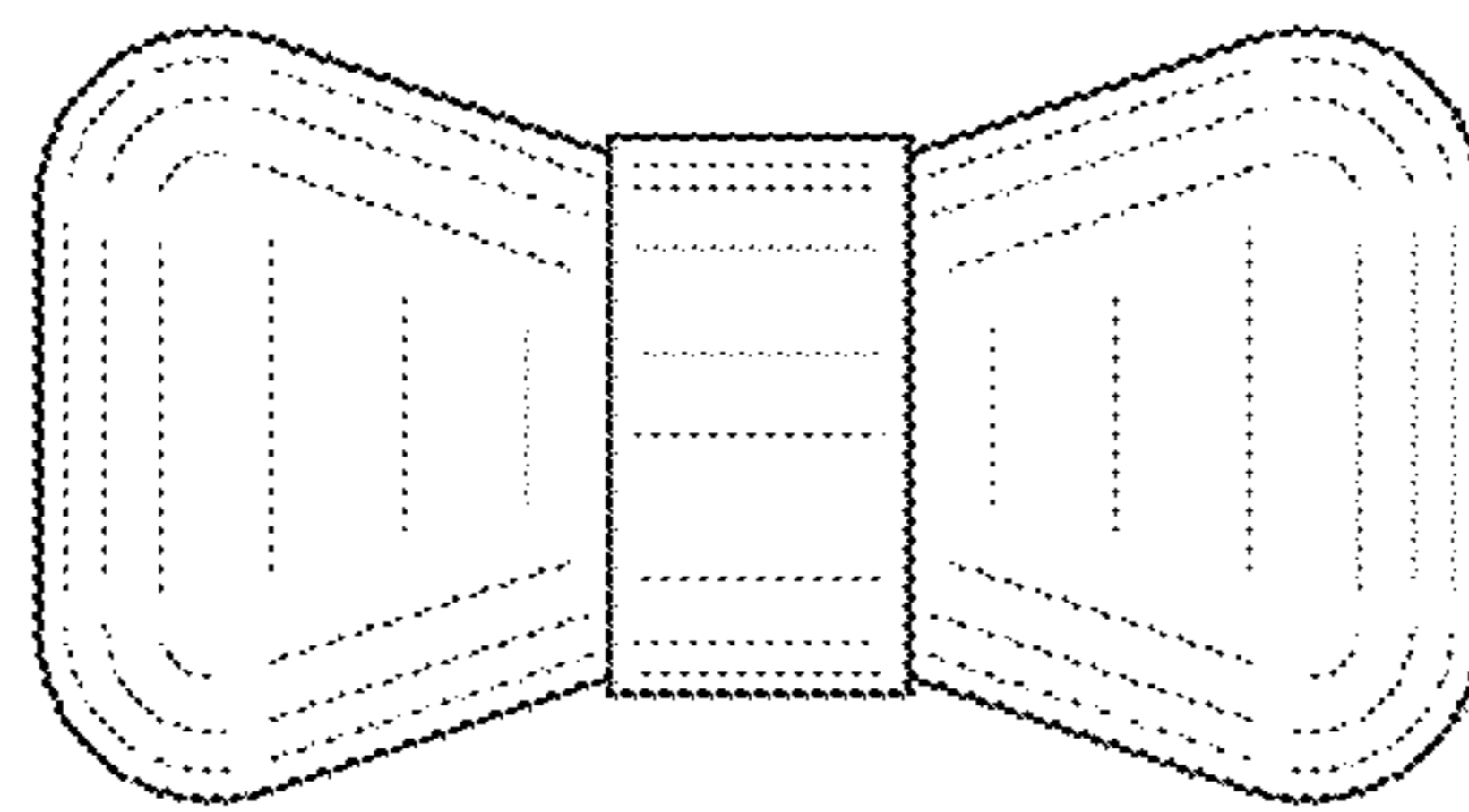


FIG. 2

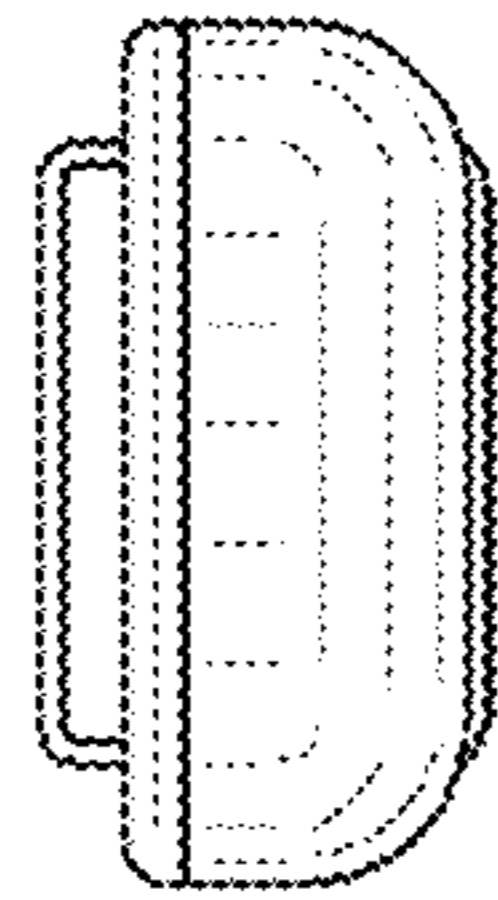


FIG. 4

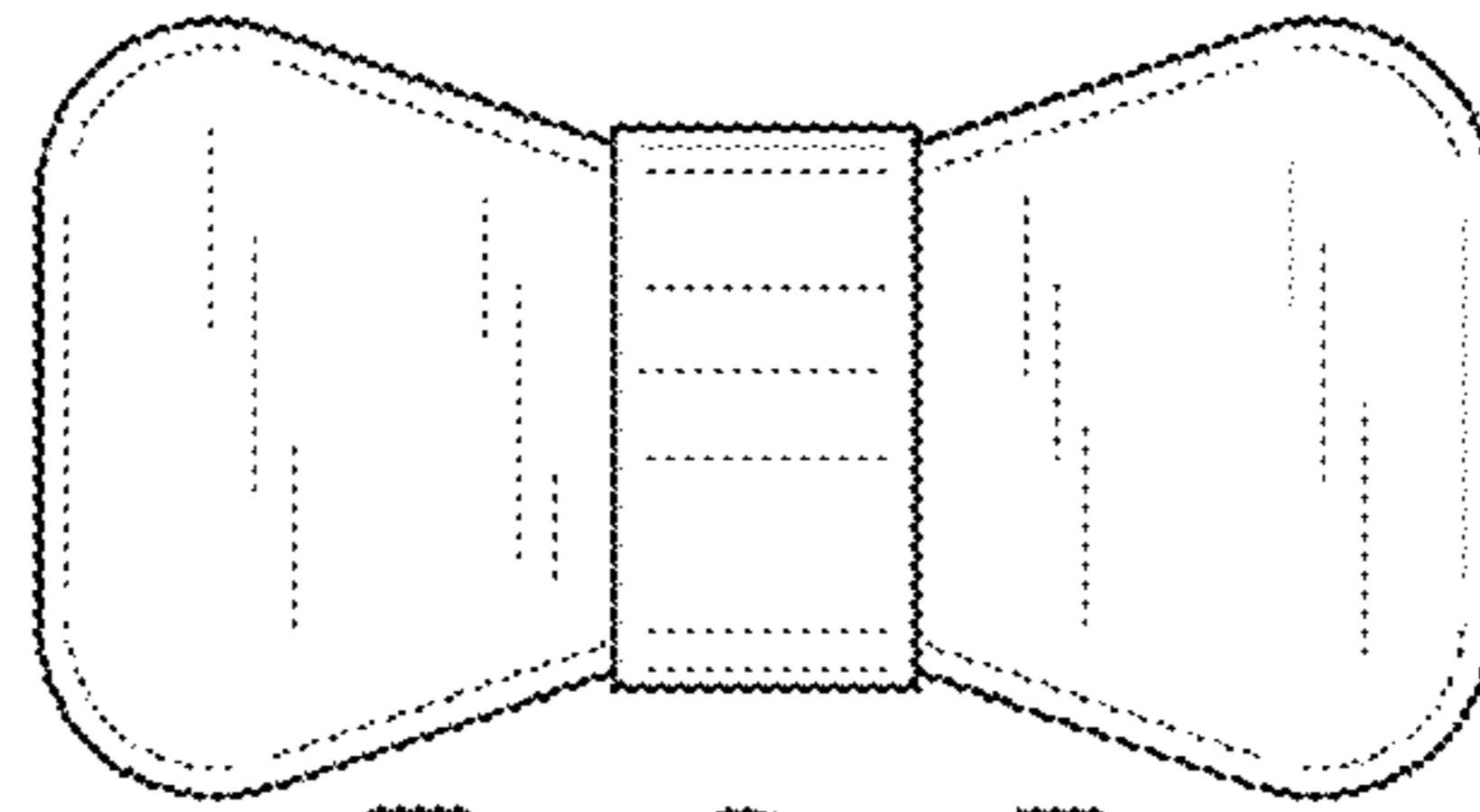


FIG. 3

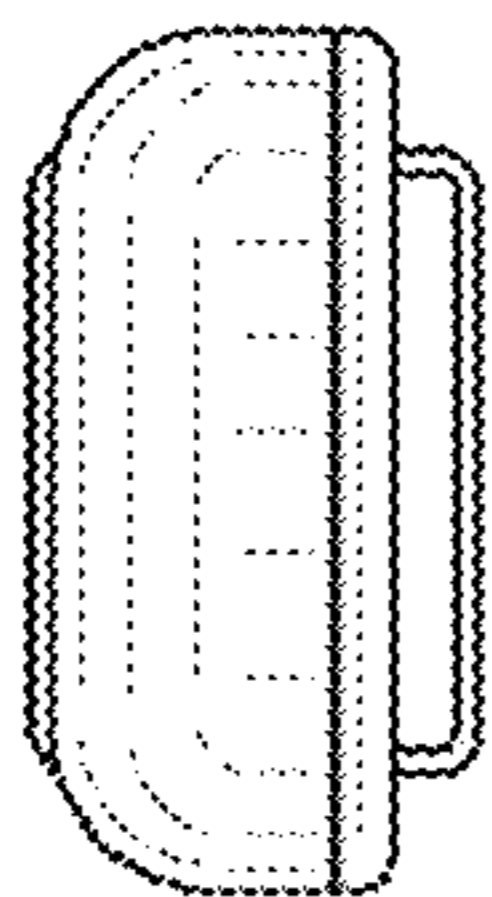


FIG. 5

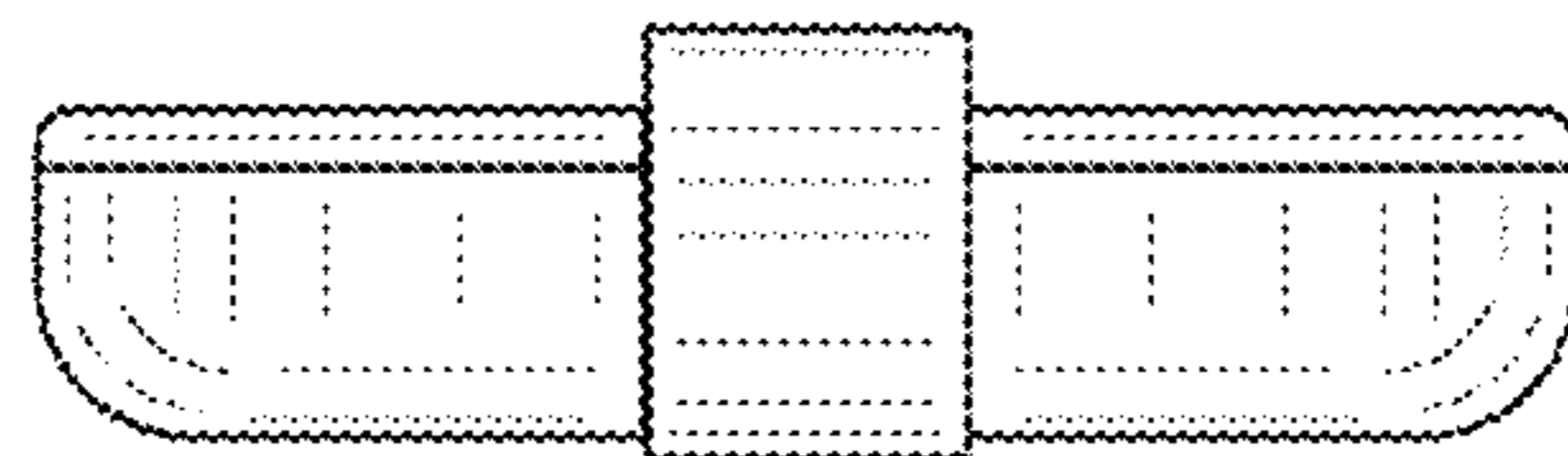


FIG. 6

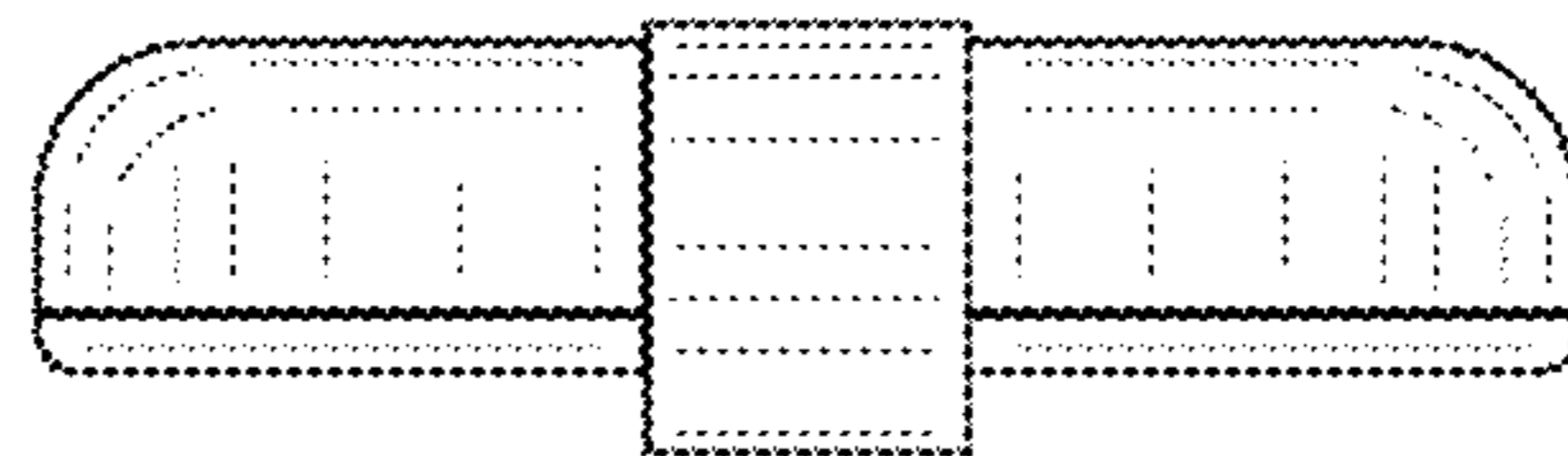


FIG. 7