



US00D788996S

(12) **United States Design Patent** (10) **Patent No.:** **US D788,996 S**  
**Krueger et al.** (45) **Date of Patent:** **\*\* Jun. 6, 2017**

(54) **BOTTLE FOR BIRD NOURISHMENT SYSTEM**

(71) Applicant: **Classic Brands, LLC**, Denver, CO (US)

(72) Inventors: **Bryan Krueger**, Denver, CO (US); **Lindsey Nifong**, Denver, CO (US)

(73) Assignee: **Classic Brands, LLC**, Denver, CO (US)

(\*\*) Term: **15 Years**

(21) Appl. No.: **29/550,584**

(22) Filed: **Jan. 5, 2016**

(51) **LOC (10) Cl.** ..... **30-03**

(52) **U.S. Cl.**  
USPC ..... **D30/125; D30/127**

(58) **Field of Classification Search**  
USPC ..... D30/121, 124, 126–129, 133, 199, D30/110–112, 123, 125; 119/52.2, 51.5, 119/61.5, 57.8, 57.9, 52.3, 61.1, 531, 63, 119/428–435, 52.4, 55, 61.3, 69.5, 75, 76, 119/51.01, 51.12, 51.13, 52.1, 53, 56.1, 119/57, 57.4, 57.5, 72, 72.5, 74, 81; 47/67, 83; 248/318; D11/164, 152; 211/128.1; D27/123; D6/495, 460, 461, D6/476, 405; D9/715, 719, 730, 733, D9/737–743, 751–753, 502–505, D9/516–563; D7/509–515, 558, 587, D7/588, 300, 300.1, 301, 302, 304, 305, D7/321, 396.2, 415, 213, 589, 601, 602, D7/619.1, 619.2, 623, 709, 710, 628–630;  
(Continued)

(56) **References Cited**

U.S. PATENT DOCUMENTS

35,414 A \* 5/1862 Lorenz ..... A47C 19/022  
5/131  
D26,065 S \* 9/1896 Jenkins ..... D9/500

(Continued)

OTHER PUBLICATIONS

U.S. Appl. No. 29/550,591, filed Jan. 5, 2016, Bryan Krueger, et al.  
(Continued)

*Primary Examiner* — Susan Moon Lee

(74) *Attorney, Agent, or Firm* — Polsinelli PC

(57) **CLAIM**

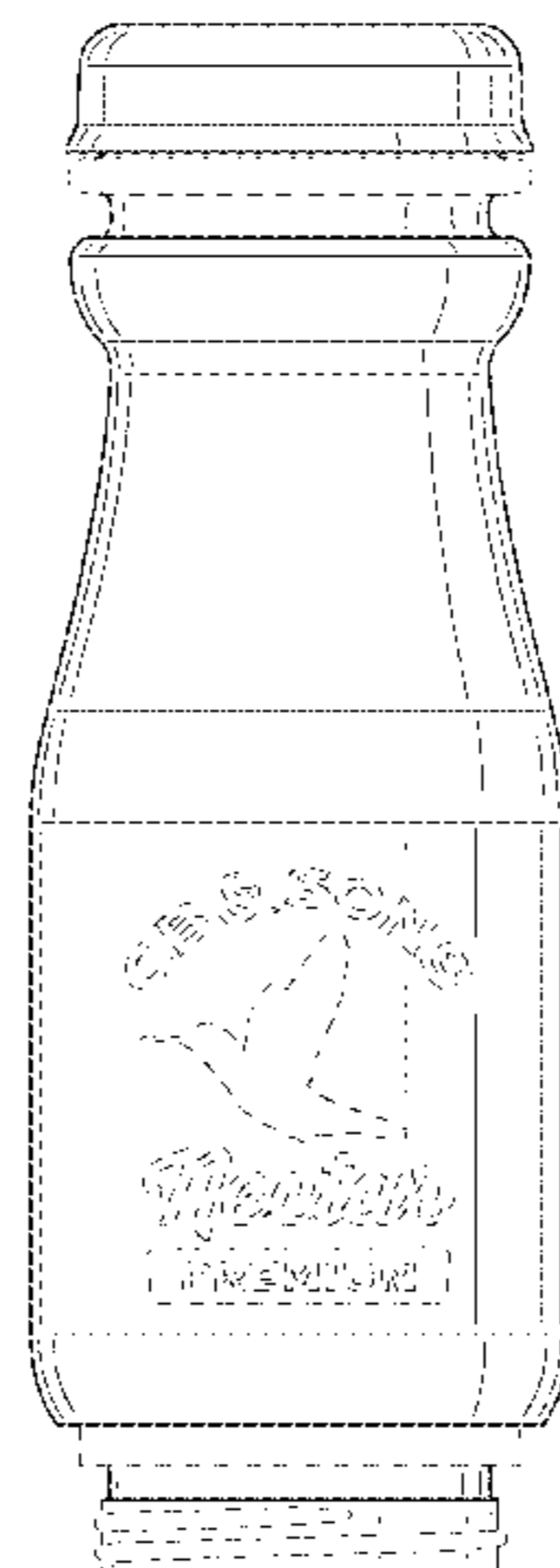
The ornamental design for a bottle for bird nourishment system, as shown and described.

**DESCRIPTION**

FIG. 1 is an isometric view of a bottle for bird nourishment system, shown with the cap component removed, in accordance with our new design;  
FIG. 2 is a bottom perspective view thereof;  
FIG. 3 is a first side view thereof;  
FIG. 4 is an opposite side view thereof;  
FIG. 5 is a front view thereof;  
FIG. 6 is a back view thereof;  
FIG. 7 is a top view thereof;  
FIG. 8 is a bottom view thereof;  
FIG. 9 is an isometric view of the bottle for bird nourishment system, shown engaged with the cap component;  
FIG. 10 is a bottom perspective view thereof;  
FIG. 11 is a first side view thereof;  
FIG. 12 is an opposite side view thereof;  
FIG. 13 is a front view thereof;  
FIG. 14 is a back view thereof;  
FIG. 15 is a top view thereof; and,  
FIG. 16 is a bottom view thereof.

The portions shown in broken lines are environment only and form no part of the claimed design.

**1 Claim, 16 Drawing Sheets**



(58) **Field of Classification Search**

USPC ..... 220/660, 669, 675; D24/121; 206/524.6;  
215/379, 381-385  
CPC .... A01K 39/00; A01K 39/01; A01K 39/0106;  
A01K 39/0113; A01K 39/012; A01K  
39/0125; A01K 39/014; A01K 39/04;  
A01K 39/06; A01K 31/12; A01K 31/14;  
B65D 1/00; B65D 1/02; B65D 1/0223;  
B65D 23/00; B65D 83/00; B65D 91/00;  
B65D 91/02; B65D 2501/00; B65D  
2501/0009; B65D 2501/0081

See application file for complete search history.

(56) **References Cited**

U.S. PATENT DOCUMENTS

1,329,975 A \* 2/1920 Kines ..... B65D 1/04  
215/6  
1,332,183 A \* 2/1920 Williston ..... B65D 39/02  
215/298  
1,352,173 A \* 9/1920 Campbell ..... B65D 23/104  
294/27.1  
1,381,754 A \* 6/1921 Schrader ..... A47G 23/0241  
222/131  
1,504,473 A \* 8/1924 Hattes ..... B65D 1/023  
215/387  
1,539,201 A \* 5/1925 Ottow ..... B65D 23/108  
294/31.2  
1,546,159 A \* 7/1925 Wippler, Sr. .... B65D 41/225  
215/320  
1,554,191 A \* 9/1925 Alexander ..... B65D 23/14  
116/334  
1,600,082 A \* 9/1926 Walsh ..... B65D 47/089  
215/307  
1,603,101 A \* 10/1926 Alexander ..... B65D 41/28  
215/245  
1,604,919 A \* 10/1926 Kluck ..... A47G 29/24  
211/75  
1,618,989 A \* 3/1927 McCumpsey ..... B65D 3/02  
229/5.5  
1,620,997 A \* 3/1927 Chase ..... B65D 41/22  
215/40  
1,639,398 A \* 8/1927 Cunningham ..... B65D 23/14  
215/383  
1,653,608 A \* 12/1927 Allen ..... B65D 23/14  
40/310

1,654,365 A \* 12/1927 Emerick ..... B65D 39/02  
215/43  
1,716,236 A \* 6/1929 Minyard ..... B65D 23/104  
294/145  
1,718,118 A \* 6/1929 Dech ..... B65D 85/30  
215/12.1  
1,729,620 A \* 10/1929 Lile ..... B67B 7/12  
81/3.47  
1,733,807 A \* 10/1929 Landes ..... B65D 51/04  
215/244  
D86,037 S \* 1/1932 Lloyd ..... D9/500  
D272,508 S \* 2/1984 Conti ..... D7/615  
D422,915 S \* 4/2000 Hestehave ..... D9/500  
D431,468 S \* 10/2000 Potts ..... D9/500  
D518,380 S \* 4/2006 Moran ..... D7/510  
7,997,434 B2 \* 8/2011 Benetti ..... A47G 19/2255  
215/370  
D678,628 S \* 3/2013 Krueger ..... D30/127  
D683,909 S \* 6/2013 Muhr ..... D30/124  
D698,100 S \* 1/2014 Muhr ..... D30/124  
D720,506 S \* 12/2014 Bruno ..... D30/127  
D744,172 S \* 11/2015 Donegan ..... D30/127  
D756,570 S \* 5/2016 Donegan ..... D30/127  
2006/0124067 A1 \* 6/2006 Taylor ..... A01K 39/0113  
119/72  
2007/0221133 A1 \* 9/2007 Richmond ..... A01K 39/012  
119/72  
2009/0205572 A1 \* 8/2009 Gardner ..... A01K 1/0356  
119/57.8  
2010/0251967 A1 \* 10/2010 Mateer ..... A01K 39/0206  
119/77  
2010/0270256 A1 \* 10/2010 Penny ..... B29C 49/48  
215/44  
2010/0326946 A1 \* 12/2010 Hanafusa ..... B65D 1/0246  
215/44  
2011/0083609 A1 \* 4/2011 Cote ..... A01K 39/012  
119/52.2  
2011/0100299 A1 \* 5/2011 Colwell ..... A01K 31/12  
119/52.2  
2015/0122186 A1 \* 5/2015 Donegan ..... A01K 39/0113  
119/51.5

OTHER PUBLICATIONS

U.S. Appl. No. 29/550,589, filed Jan. 5, 2016, Bryan Krueger, et al.

\* cited by examiner

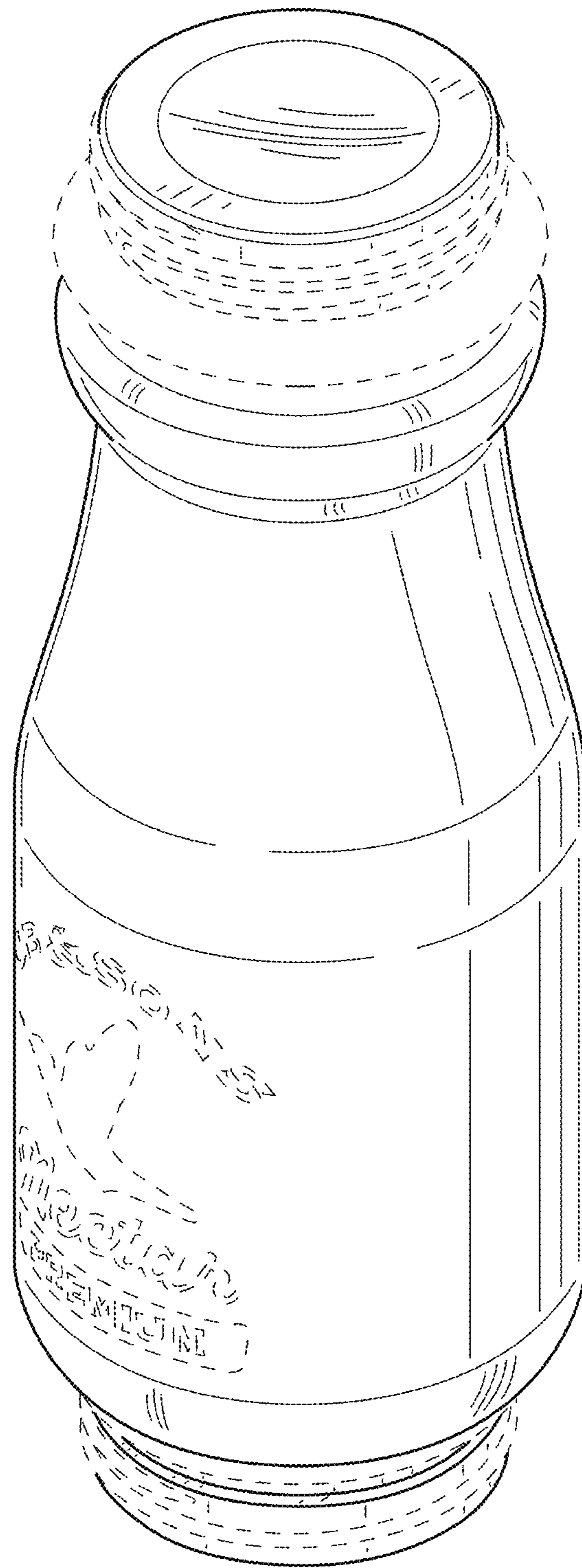


FIG.1

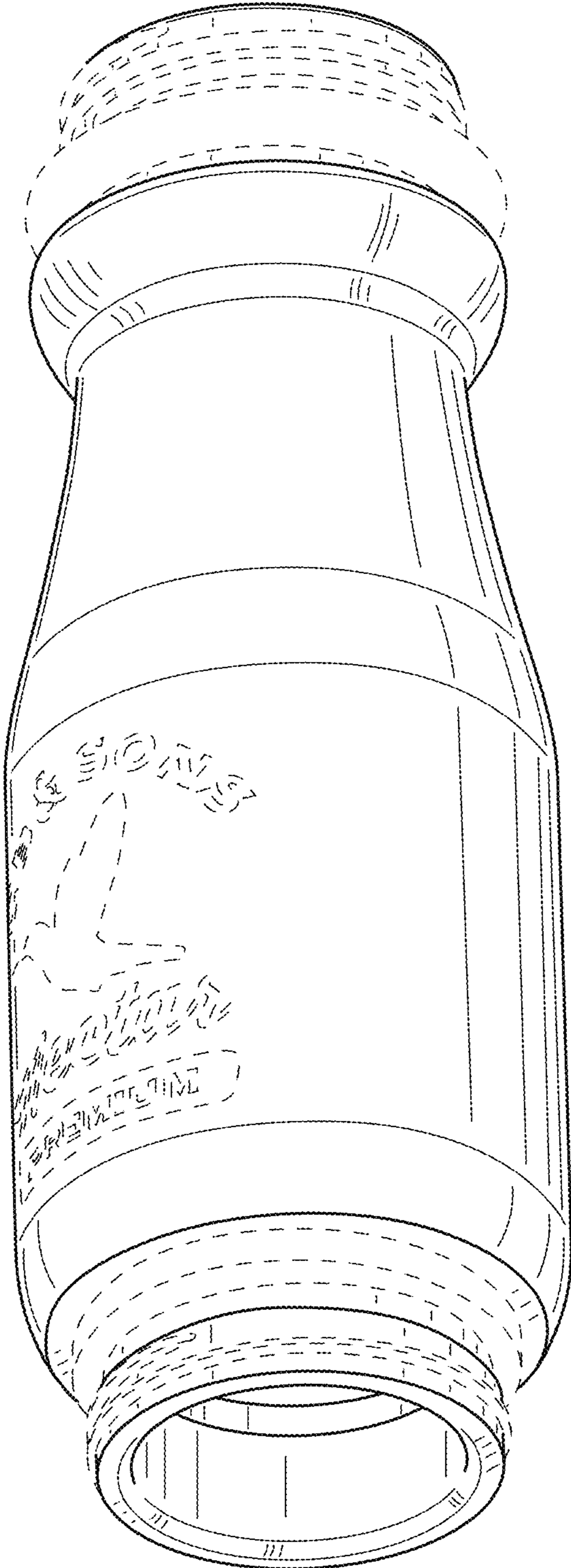


FIG.2

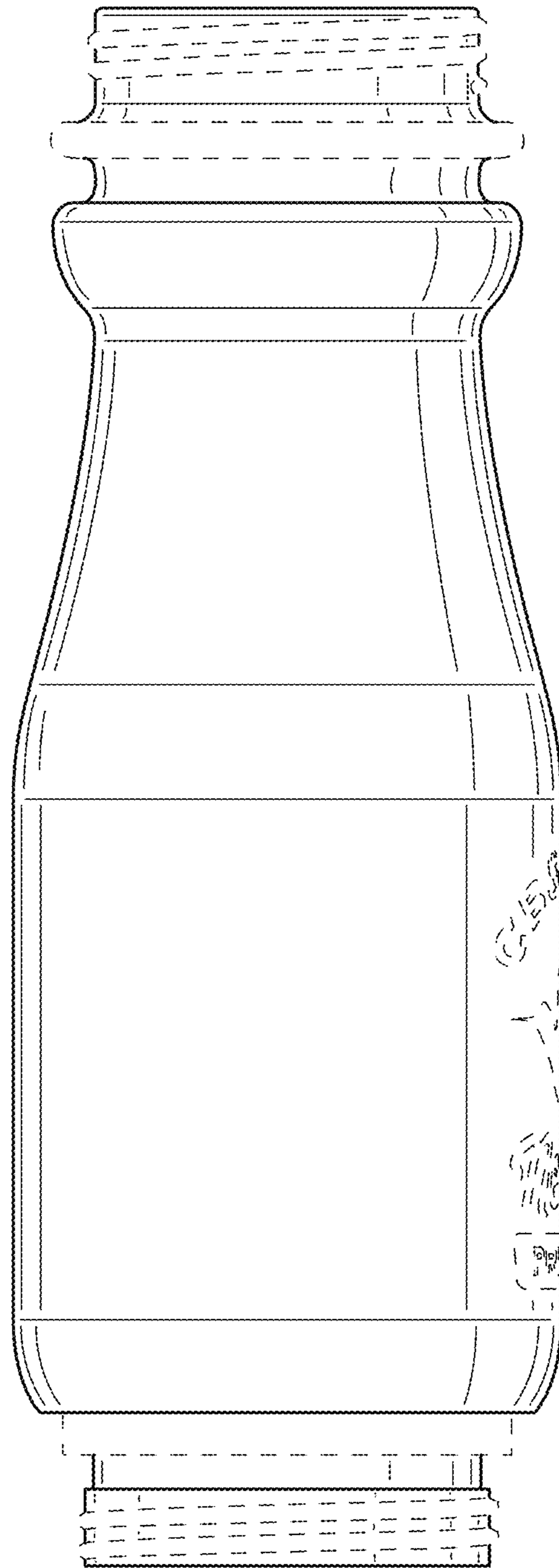


FIG.3

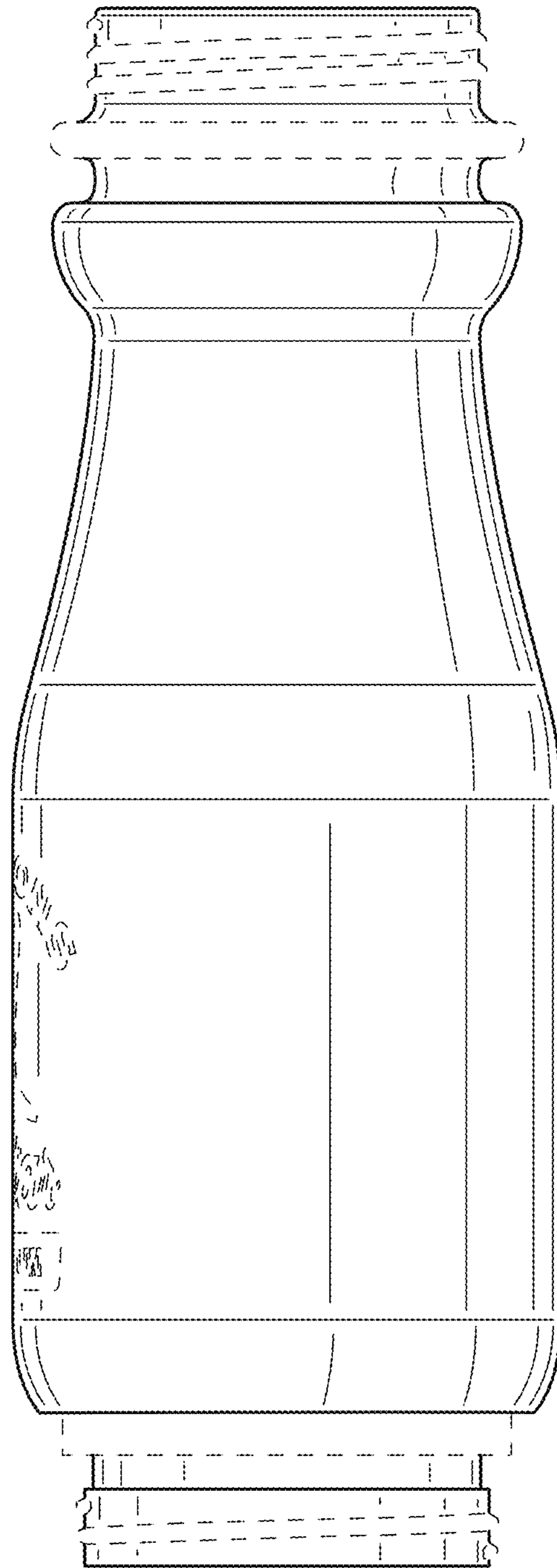


FIG. 4

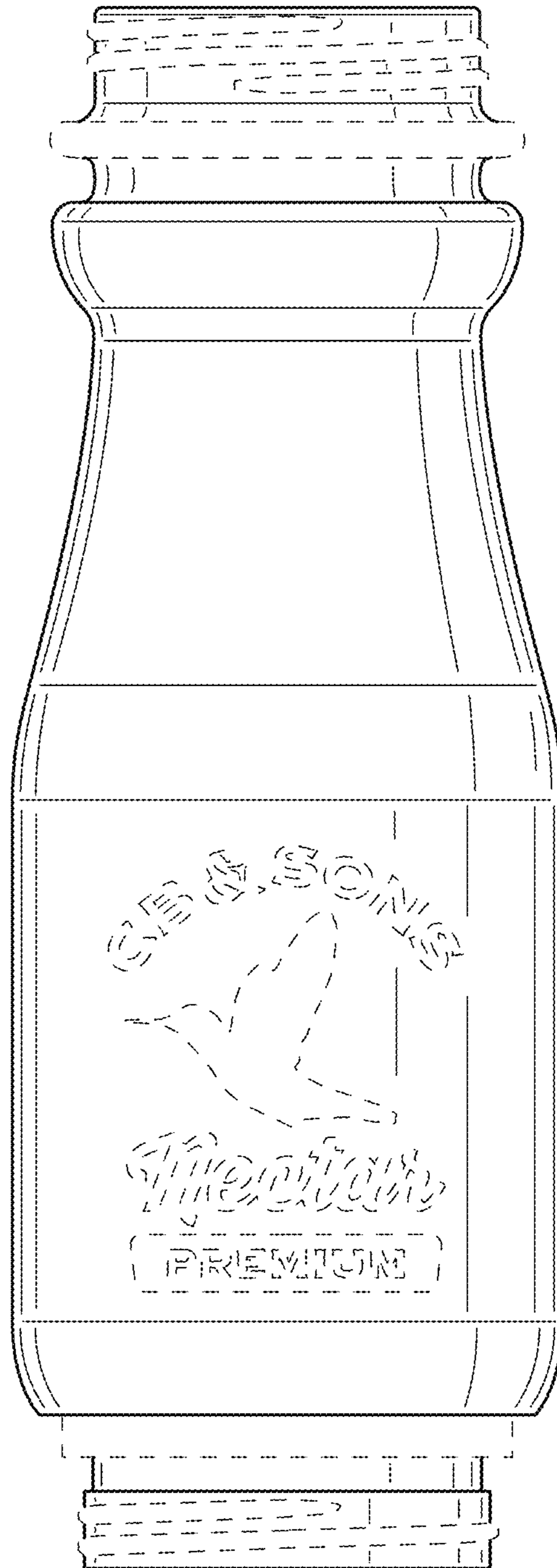


FIG.5

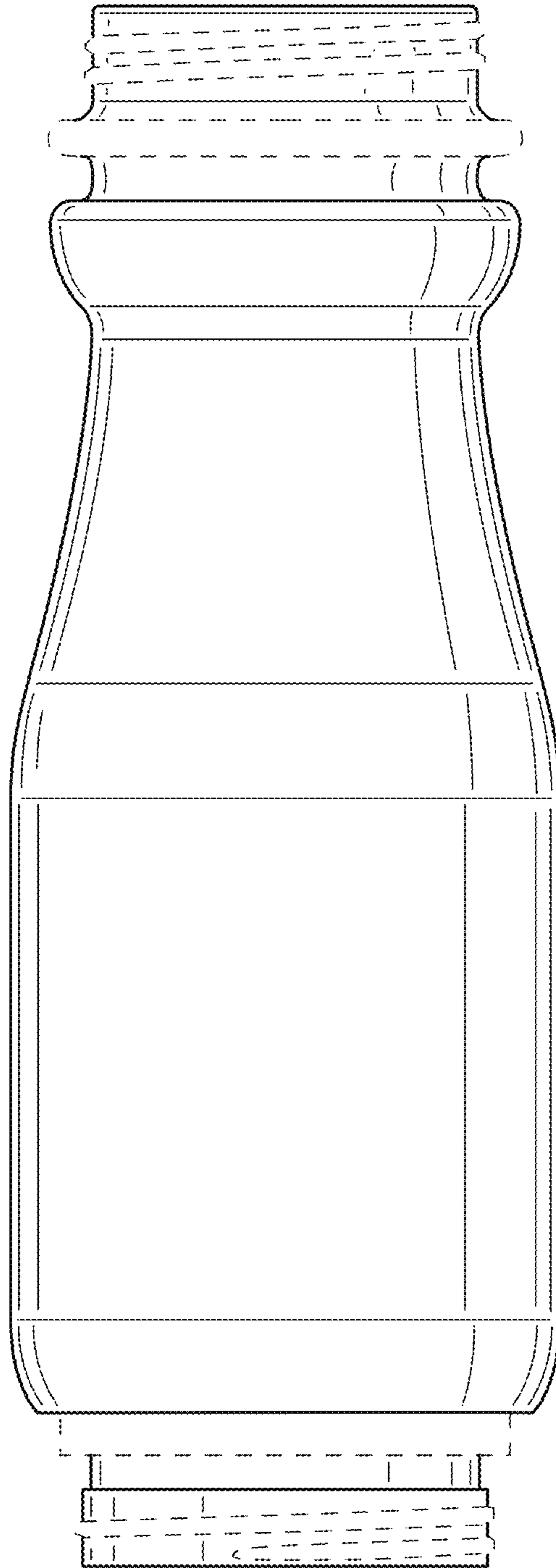


FIG.6



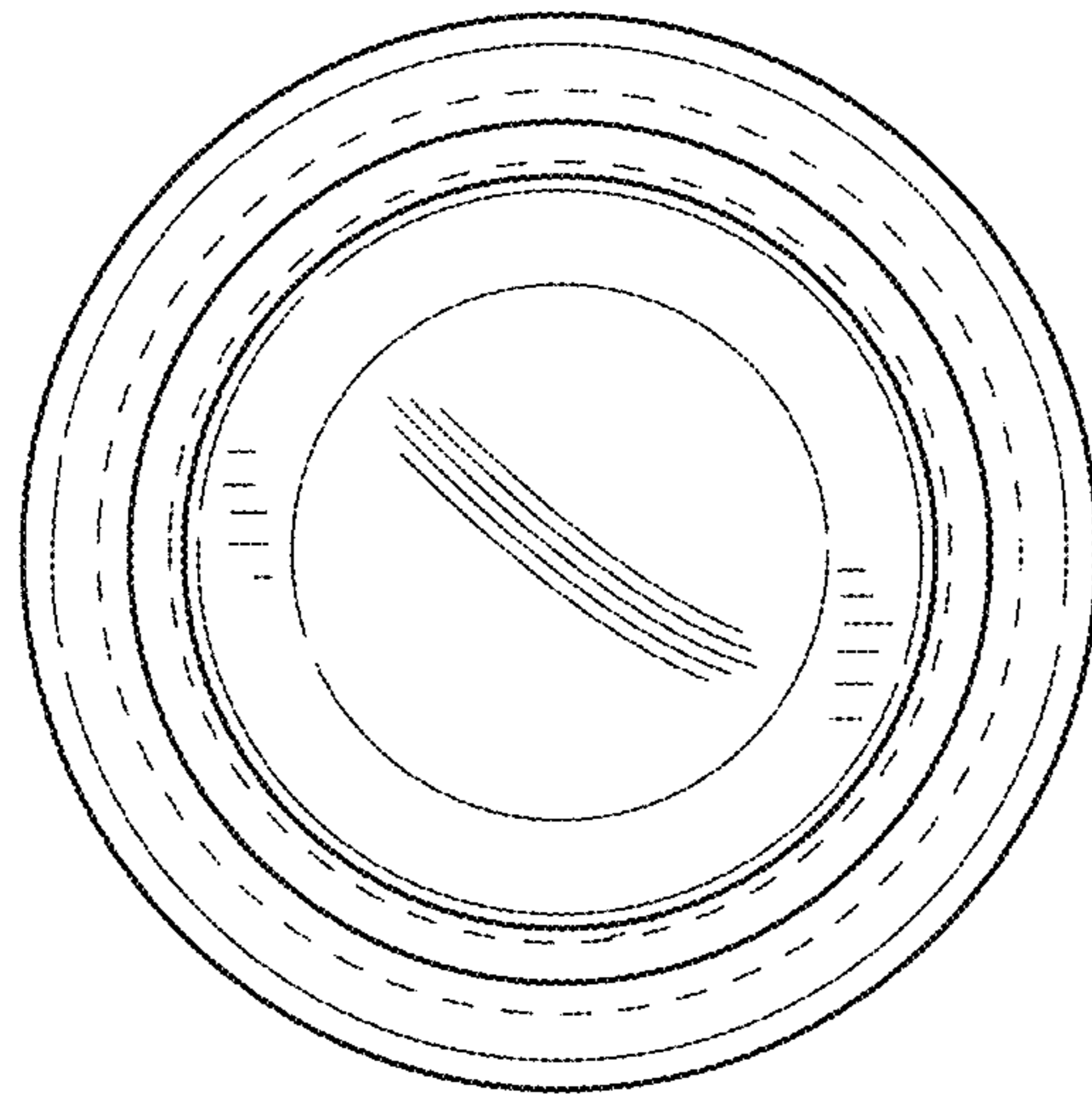


FIG.7

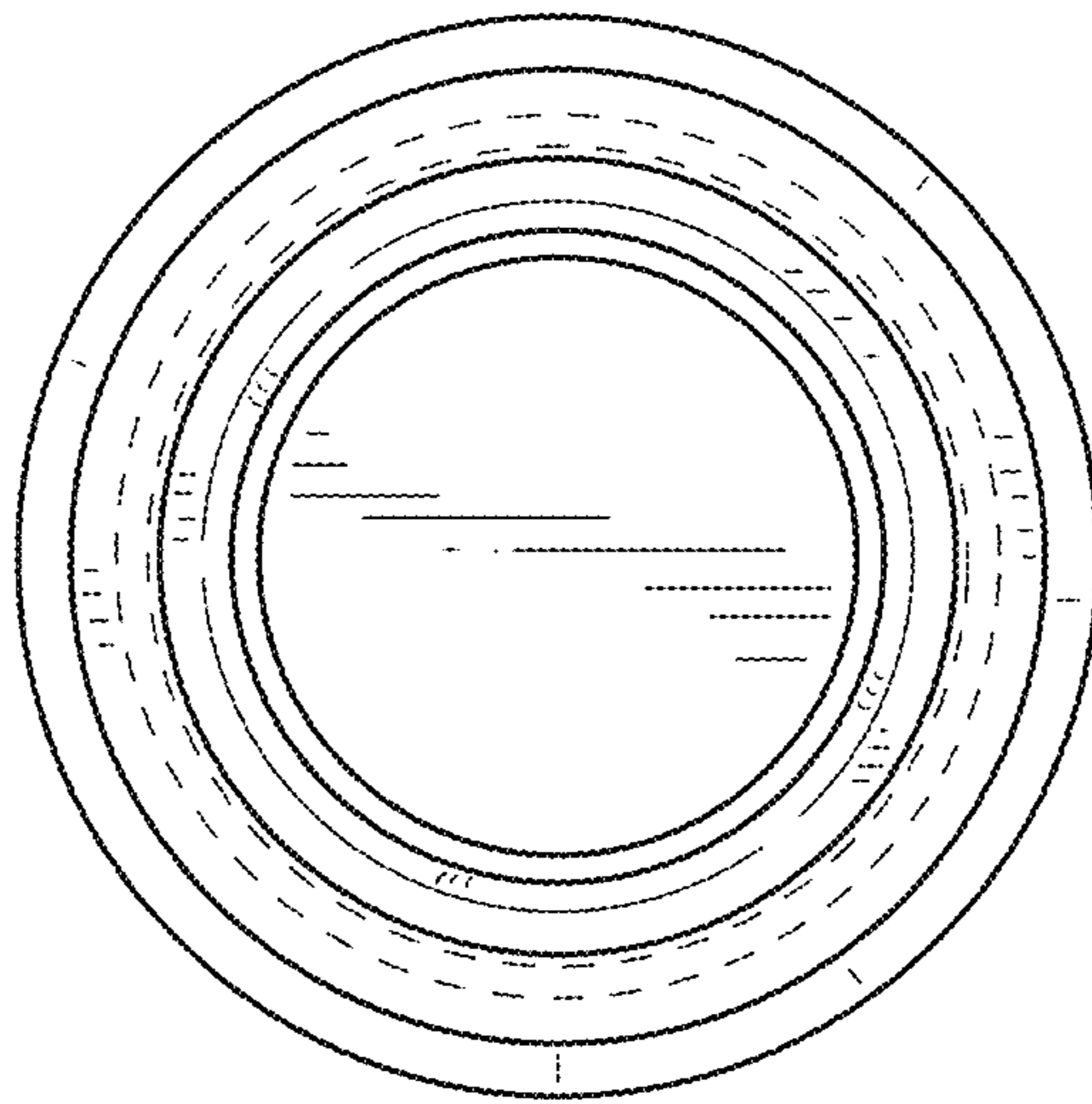


FIG.8

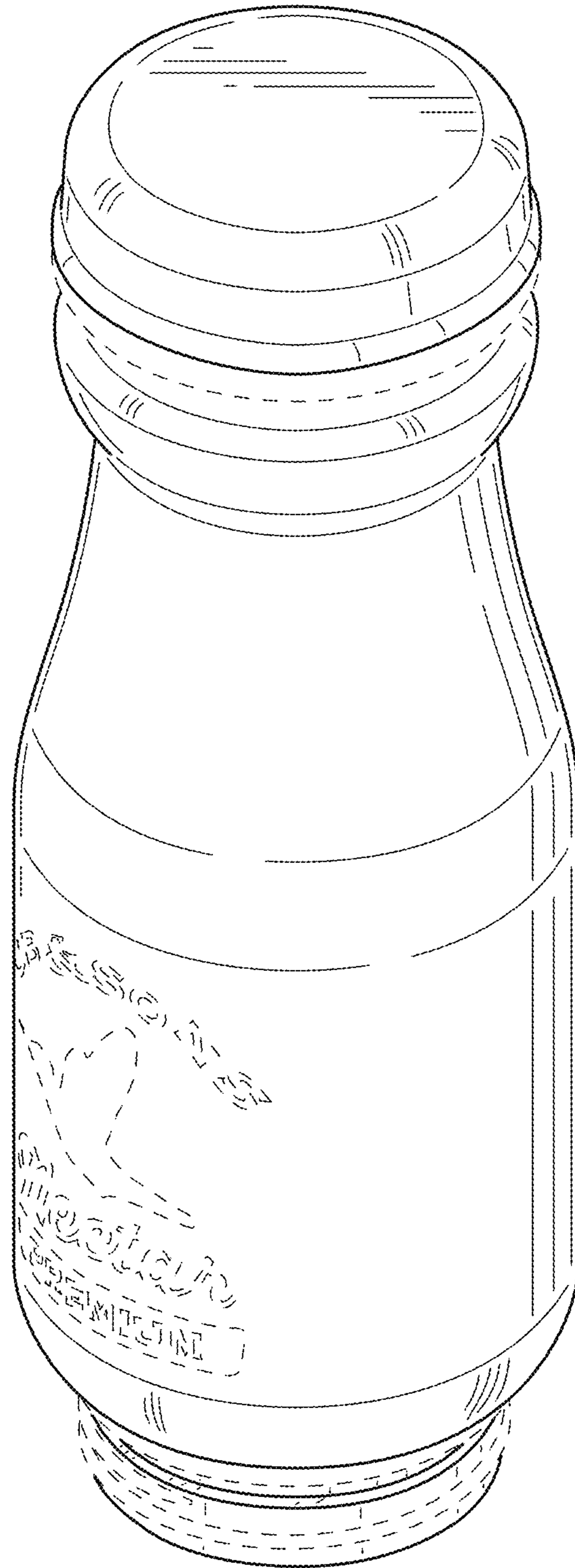


FIG. 9

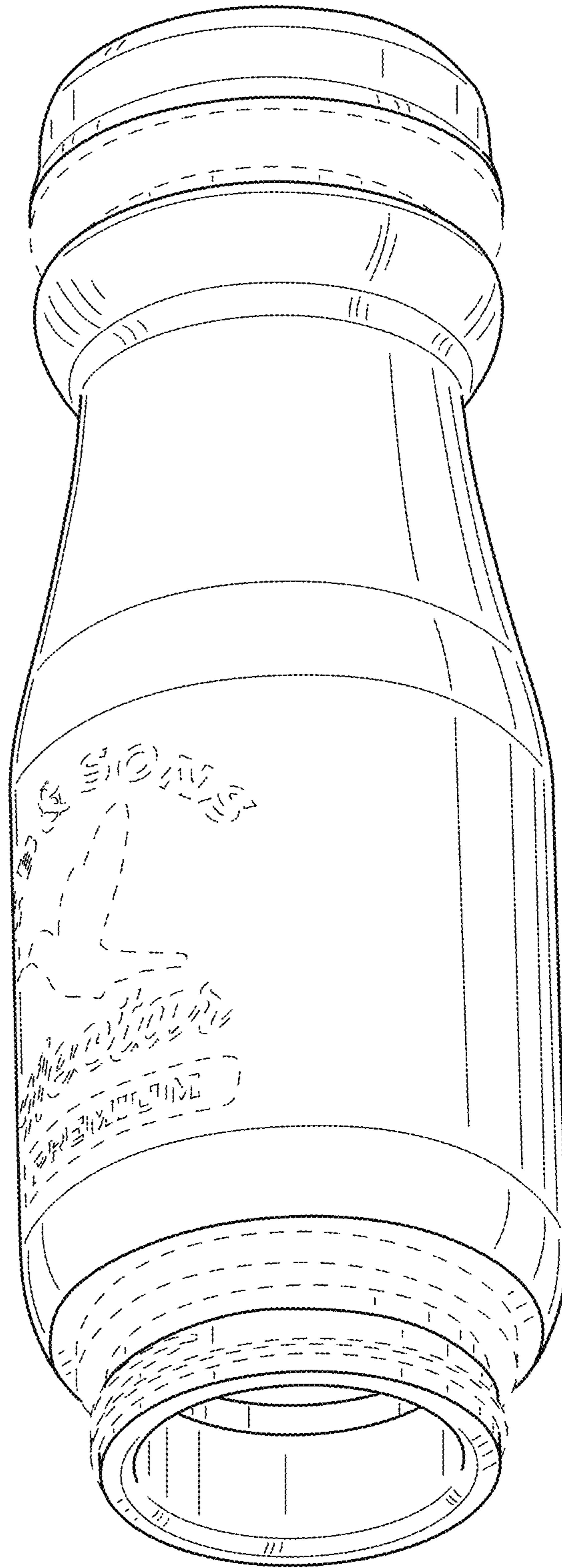


FIG.10

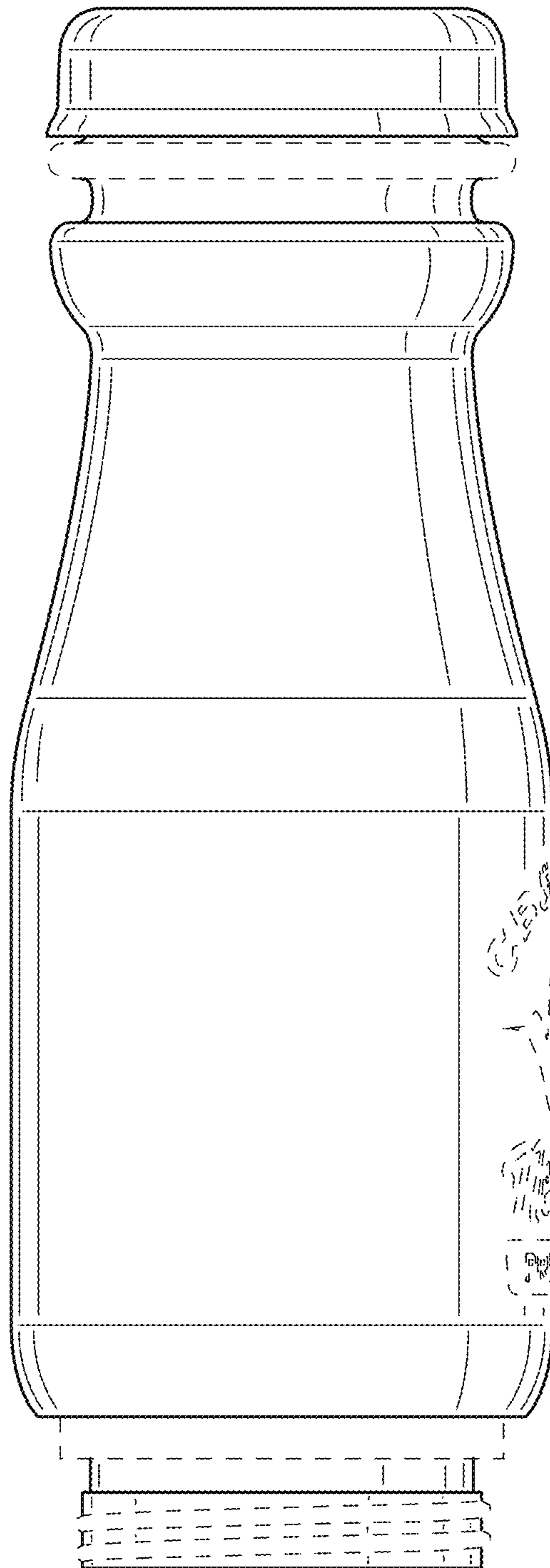


FIG.11

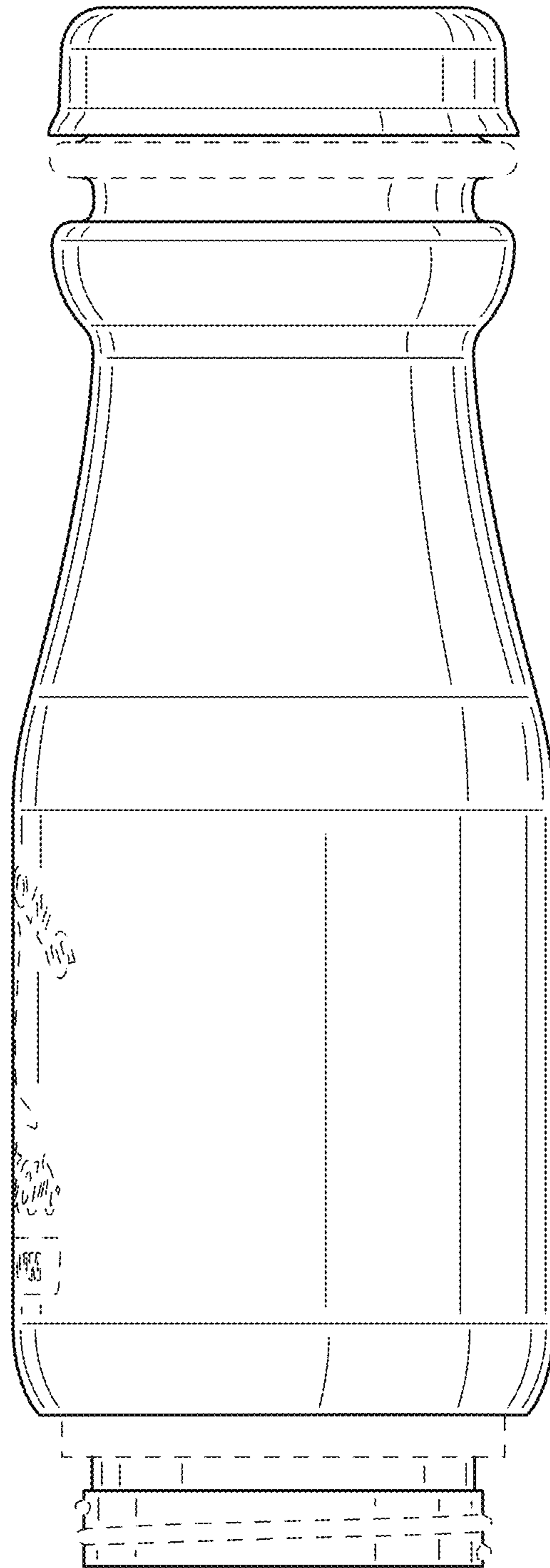


FIG.12



FIG. 13

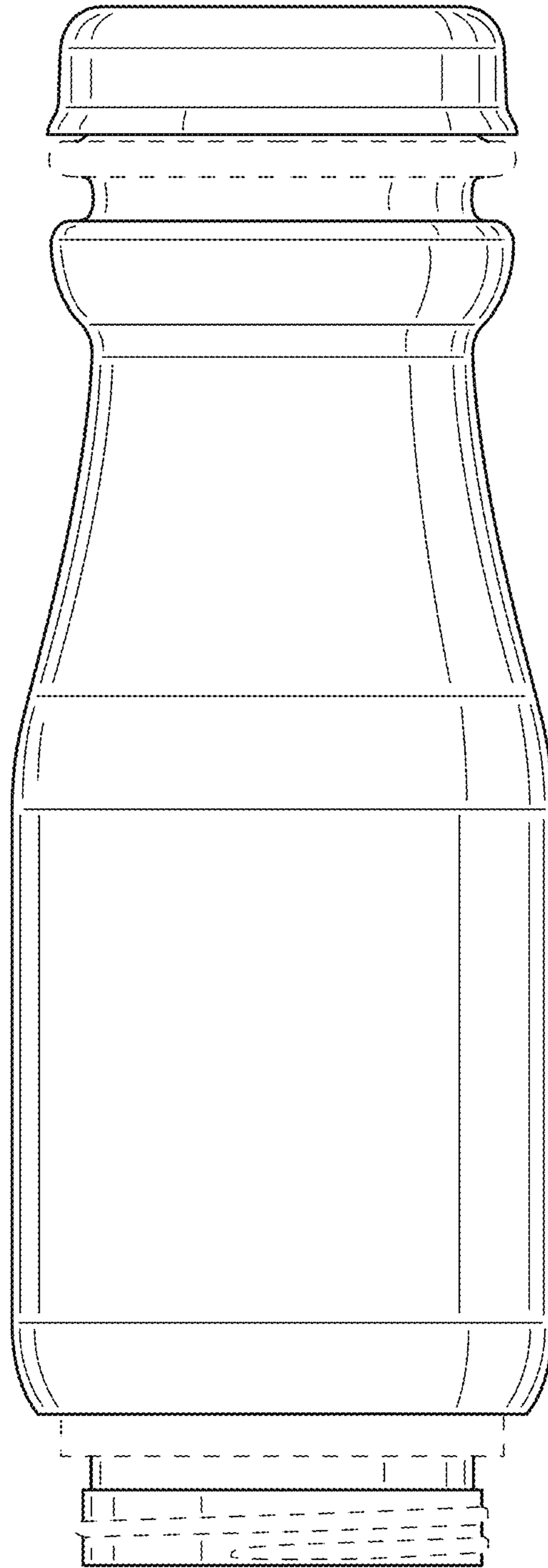


FIG.14



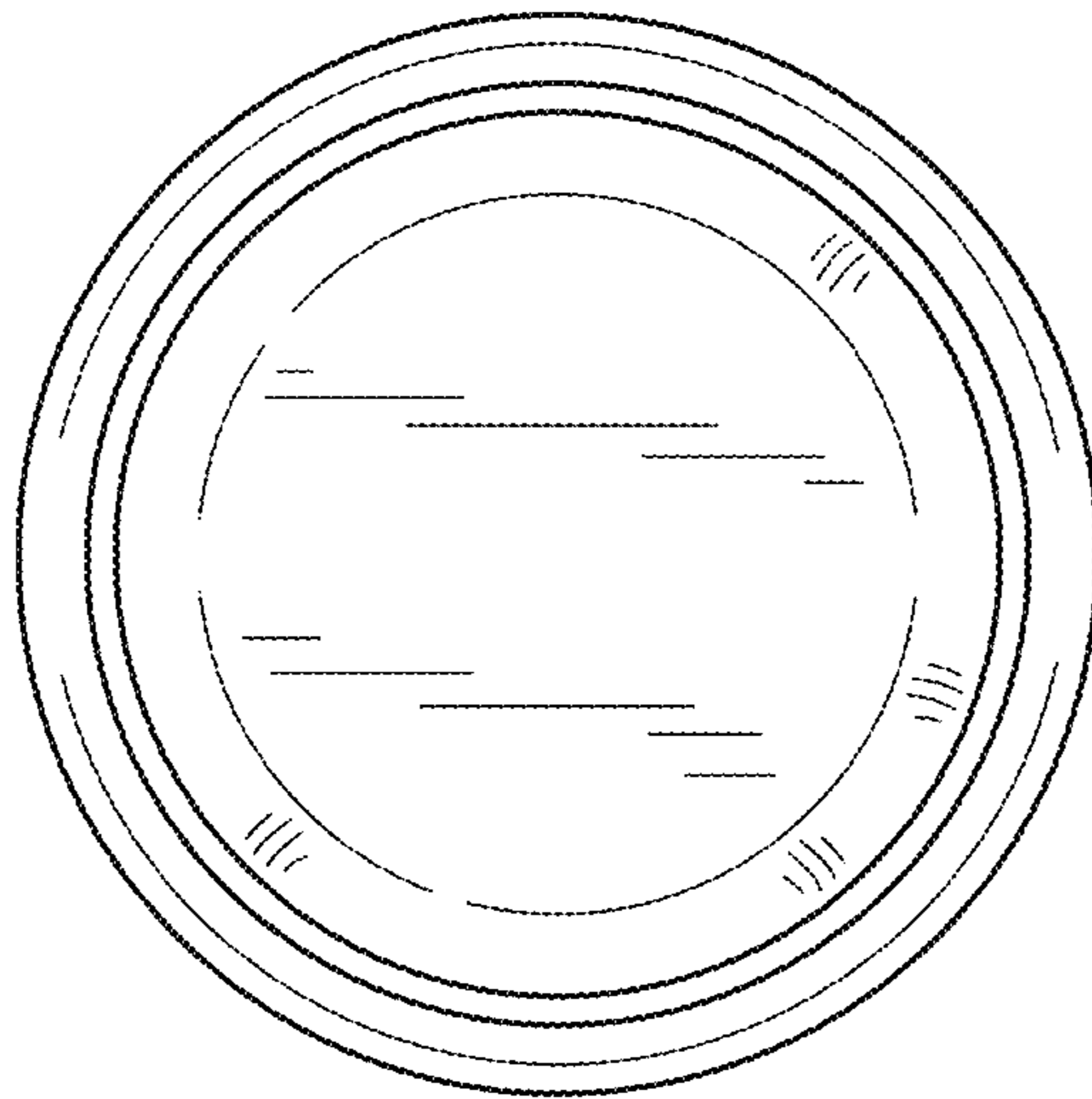


FIG.15

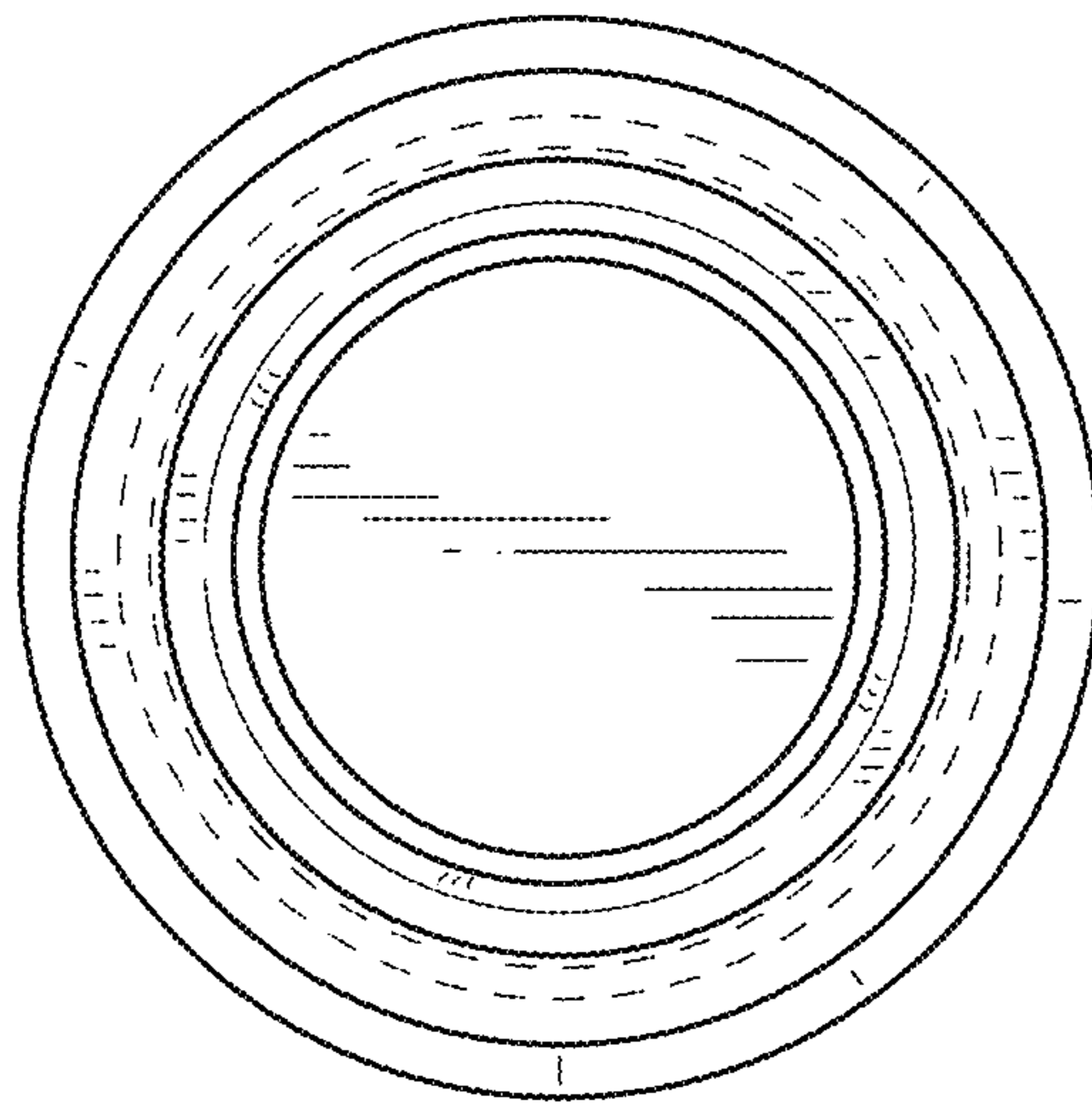


FIG. 16