



US00D788991S

(12) **United States Design Patent**  
**Whitwood et al.**

(10) **Patent No.:** **US D788,991 S**

(45) **Date of Patent:** **\*\* Jun. 6, 2017**

(54) **WELDING VISOR**

D518,923 S \* 4/2006 Curran ..... D29/122  
D742,075 S \* 10/2015 Zhou ..... D29/110

(71) Applicant: **RPB Safety, LLC**, Royal Oak, MI (US)

\* cited by examiner

(72) Inventors: **Ryan Whitwood**, Royal Oak, MI (US);  
**Mathew Bancroft**, Christchurch (NZ);  
**Samuel Kelly**, Christchurch (NZ)

*Primary Examiner* — Robert Delehanty

(74) *Attorney, Agent, or Firm* — Thomas Coester  
Intellectual Property

(73) Assignee: **RPB Safety, LLC**, Royal Oak, MI (US)

(\*\*) Term: **15 Years**

(57) **CLAIM**

(21) Appl. No.: **29/572,819**

The ornamental design for a welding visor, as shown and described.

(22) Filed: **Jul. 30, 2016**

(51) **LOC (10) Cl.** ..... **29-02**

(52) **U.S. Cl.**  
USPC ..... **D29/110**

**DESCRIPTION**

(58) **Field of Classification Search**  
USPC .... D29/110, 102, 106–107, 122; D24/110.1,  
D24/110.2, 110.3  
CPC .. A61F 9/06; A61F 9/061; A61F 9/064; A61F  
9/065; A61F 9/067; A61F 9/068  
See application file for complete search history.

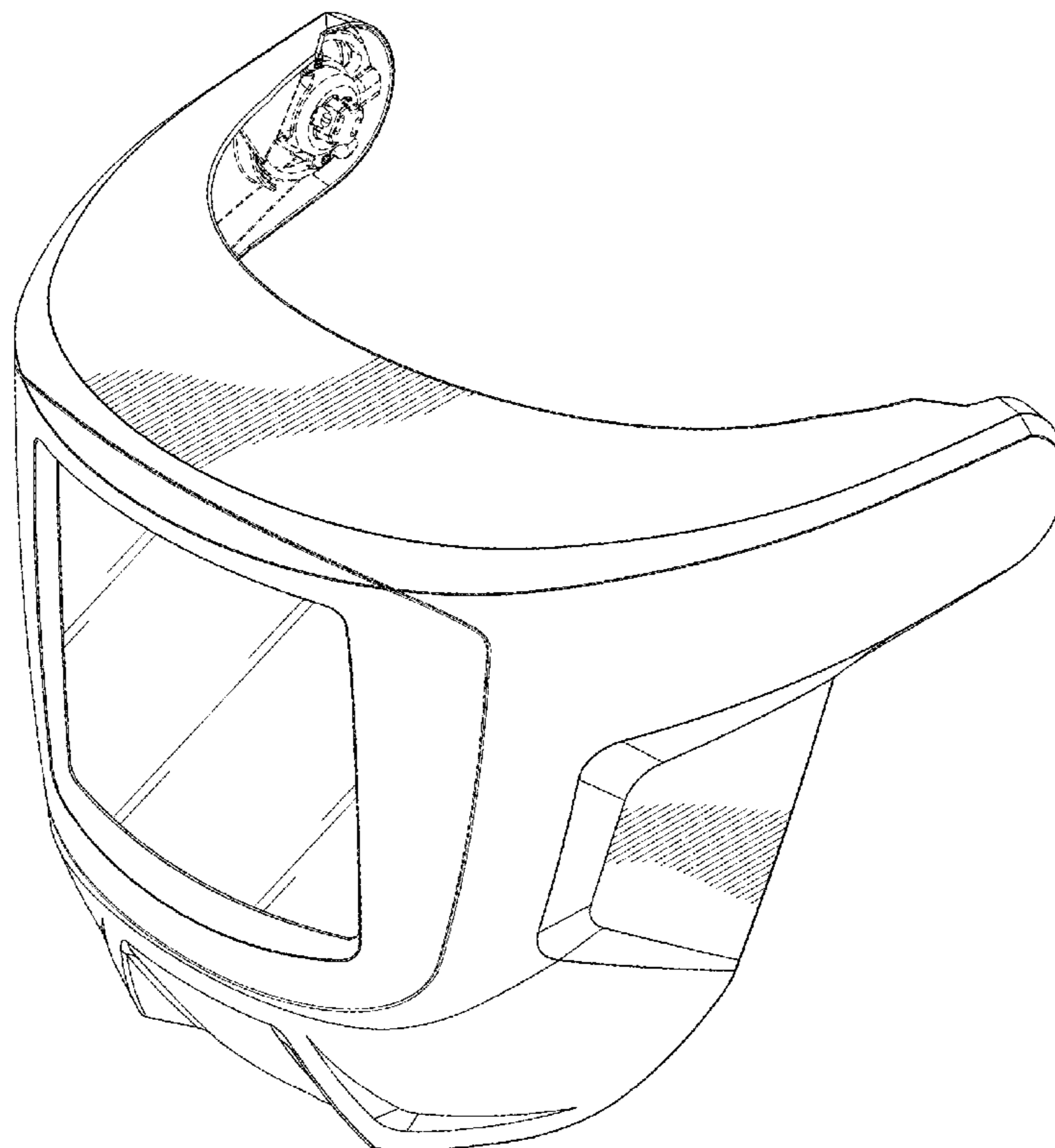
FIG. 1 is a first perspective view of a welding visor according to one embodiment of the invention. FIG. 2 is a front view of the welding visor of FIG. 1. FIG. 3 is a rear view of the welding visor of FIG. 1. FIG. 4 is a right side view of the welding visor of FIG. 1. FIG. 5 is a left side view of the welding visor of FIG. 1. FIG. 6 is a top view of the welding visor of FIG. 1; and, FIG. 7 is a bottom view of the welding visor of FIG. 1. The broken lines showing portions of the rear side of the visor are included for the purpose of illustrating a portion of the welding visor that form no part of the claimed design.

(56) **References Cited**

**U.S. PATENT DOCUMENTS**

D398,421 S \* 9/1998 Crafoord ..... D29/110  
D444,919 S \* 7/2001 Kramer ..... D29/110

**1 Claim, 7 Drawing Sheets**



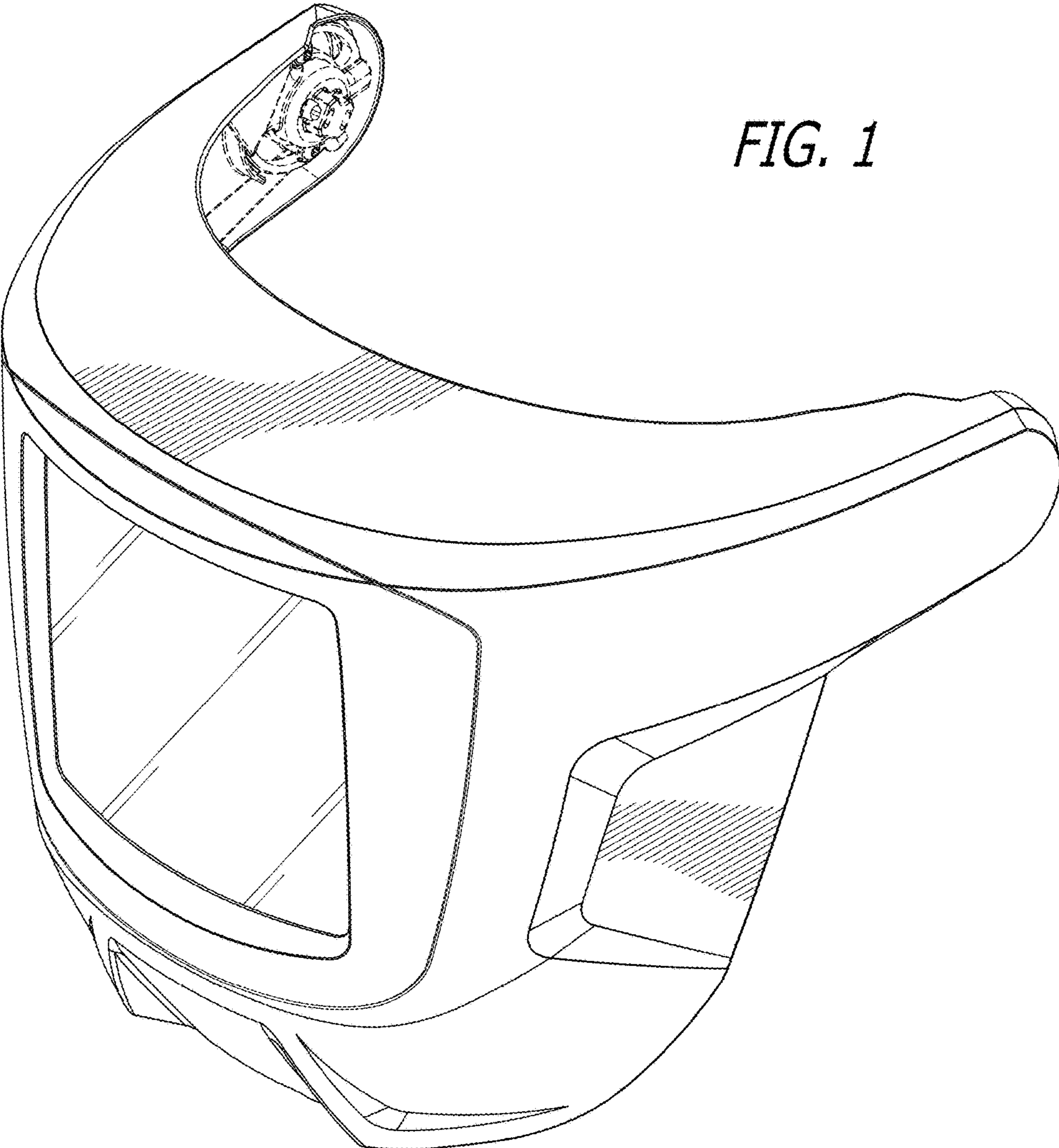
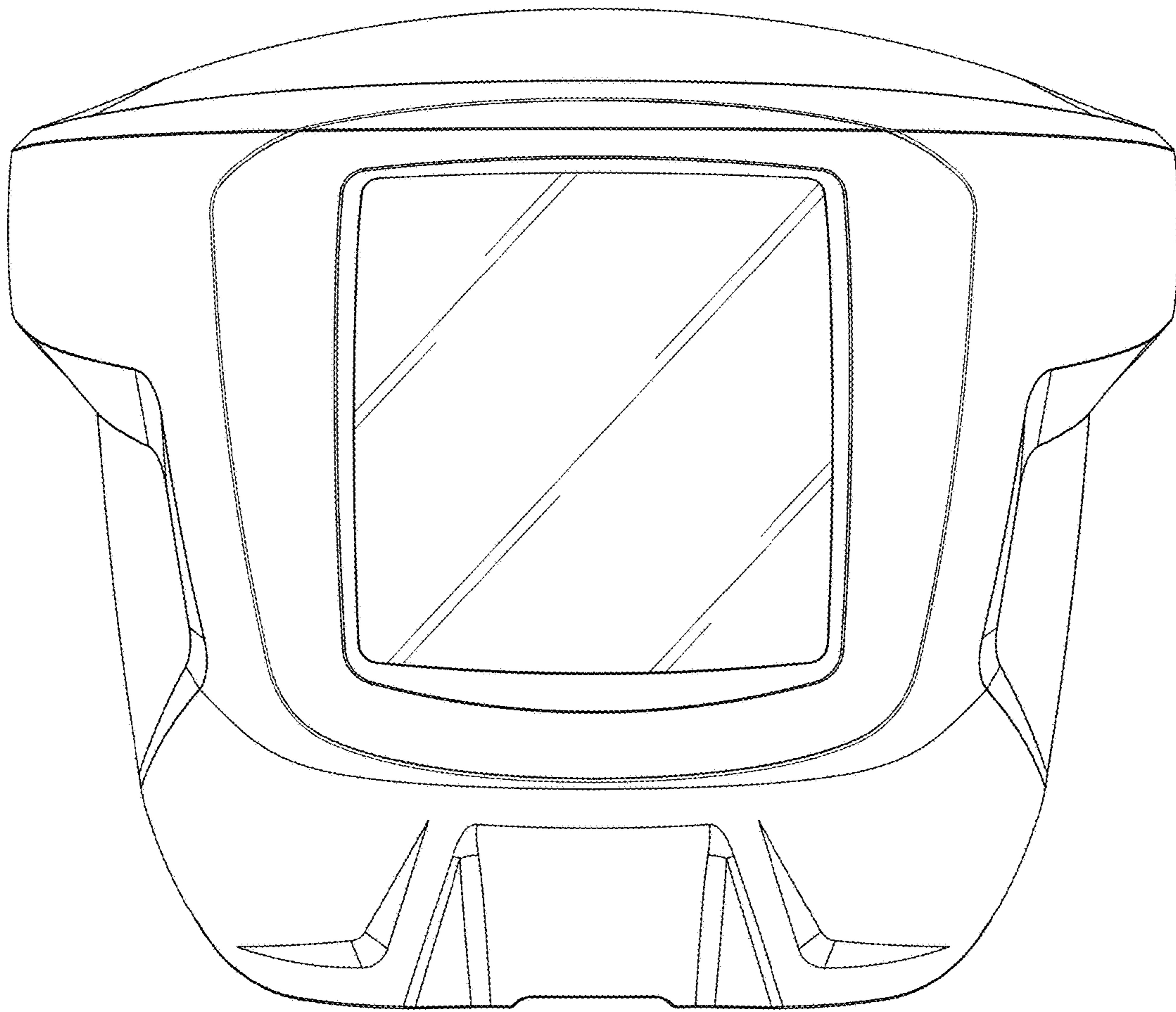


FIG. 1



*FIG. 2*



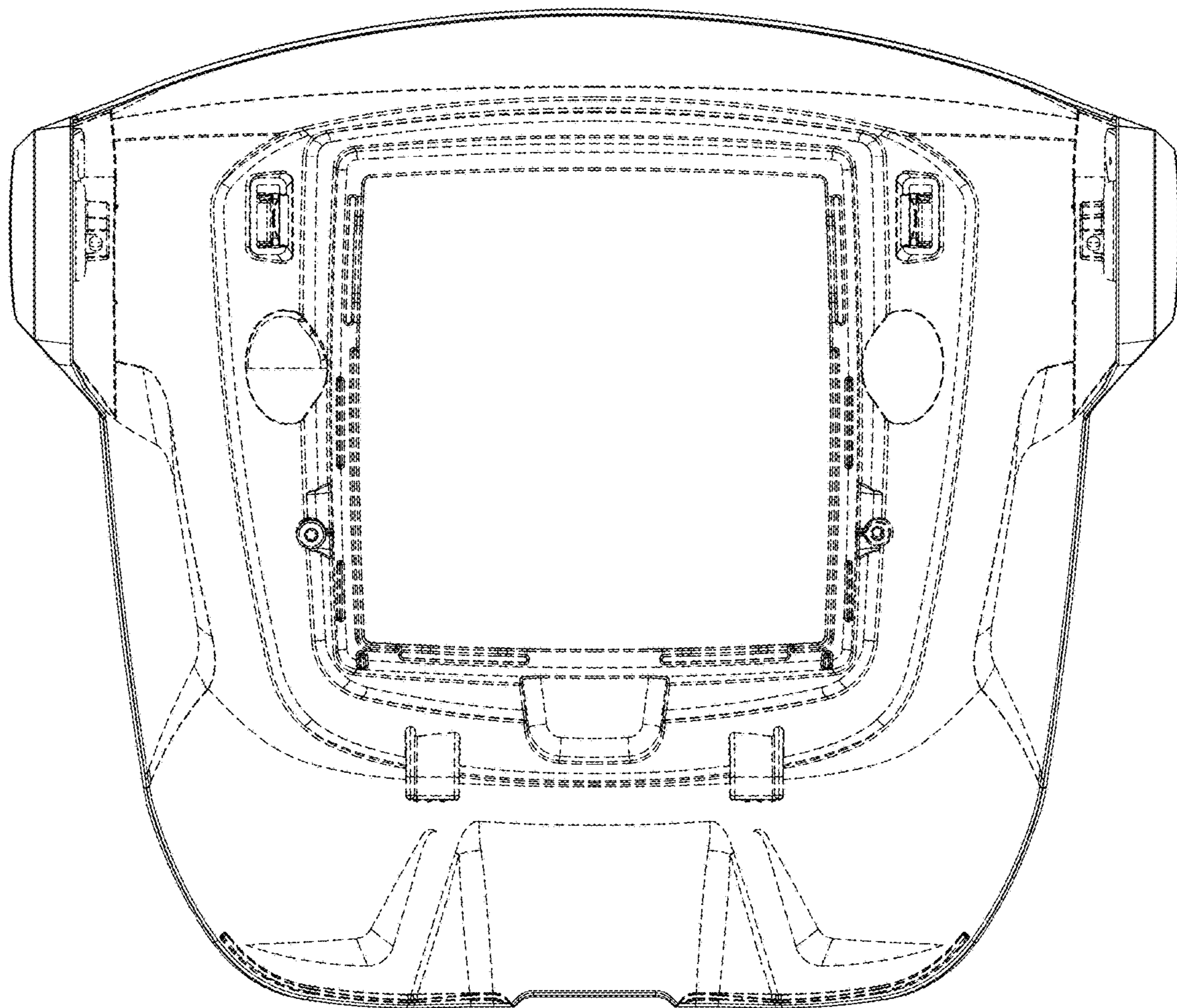
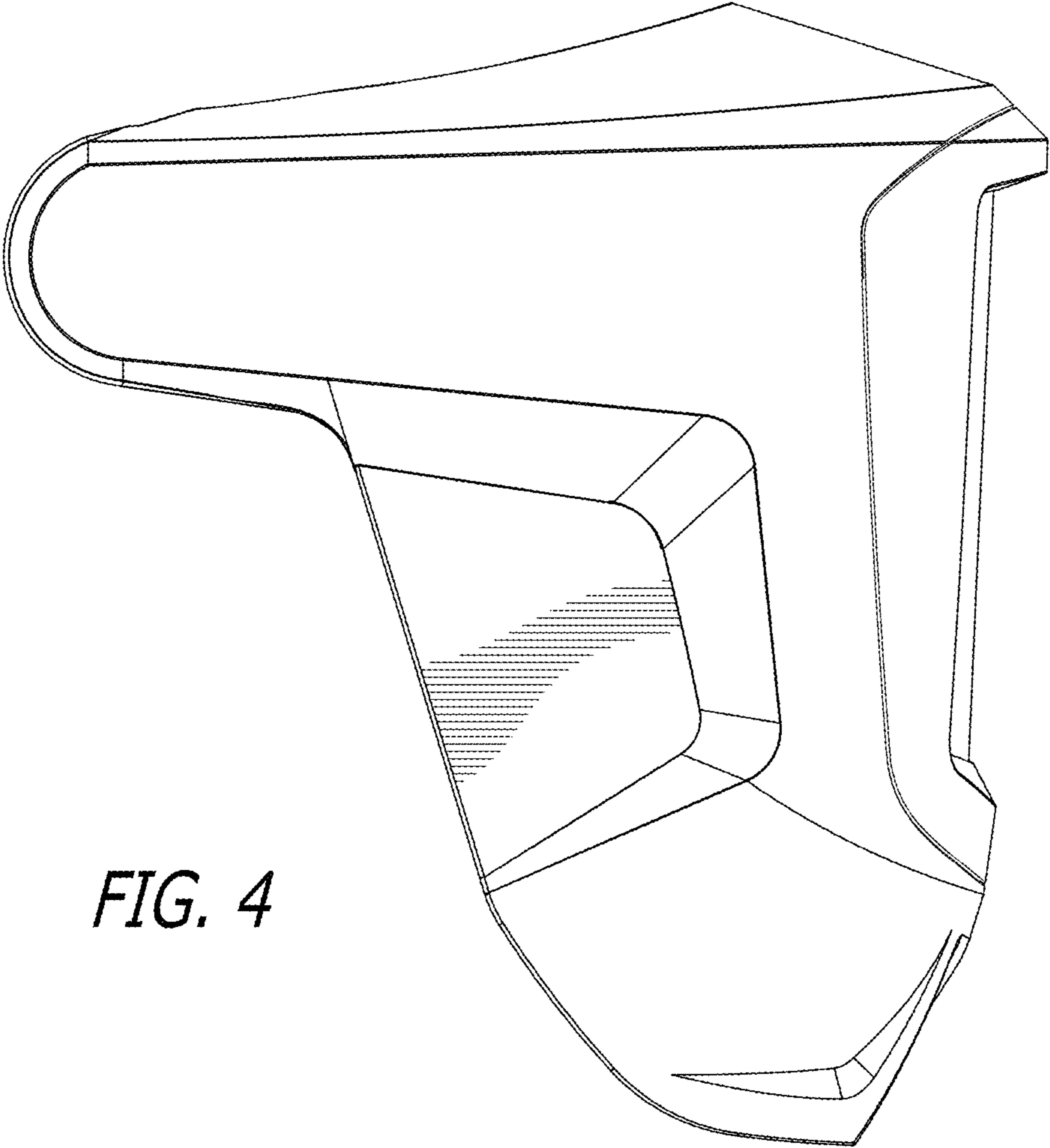
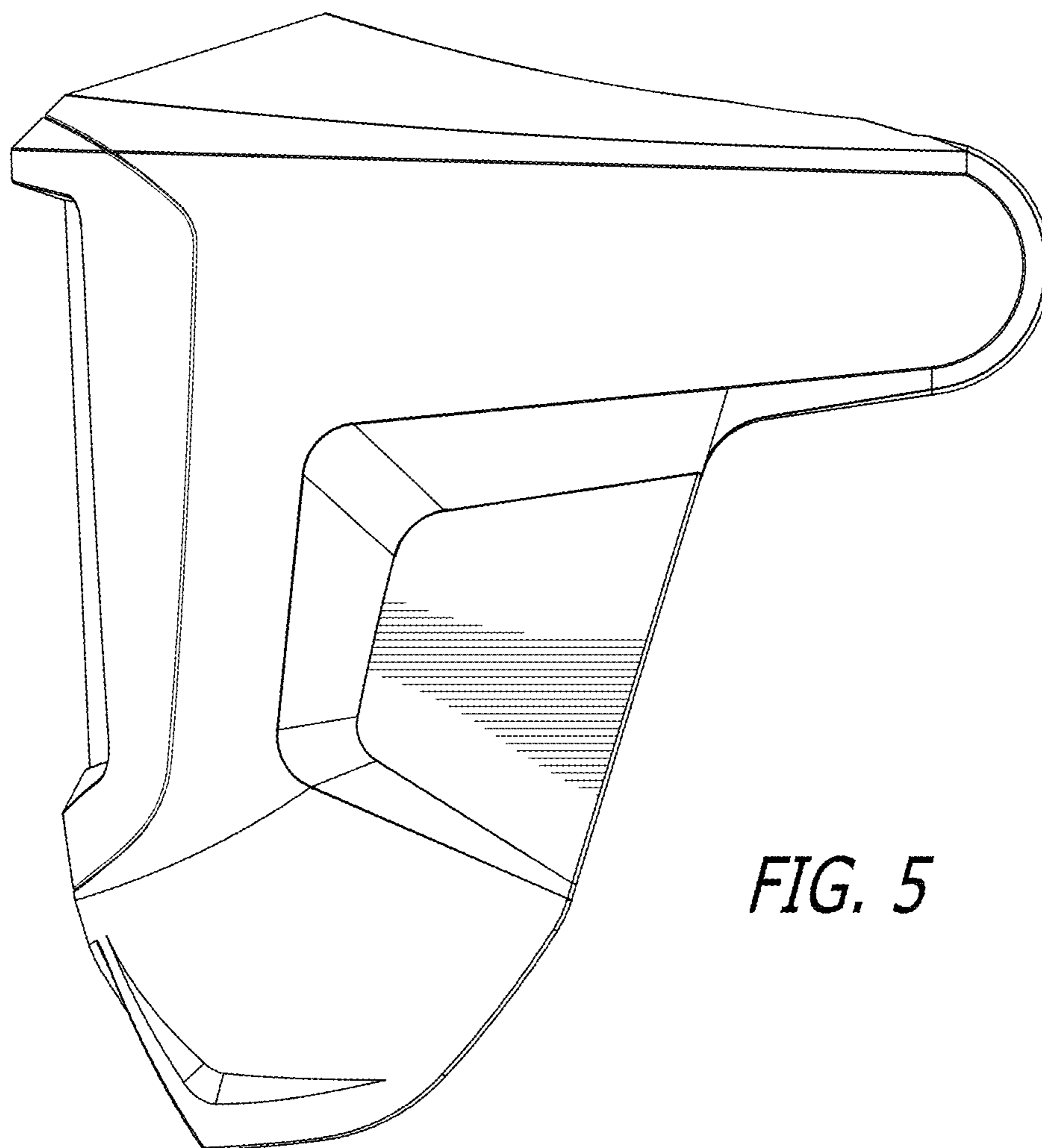


FIG. 3



*FIG. 4*



*FIG. 5*

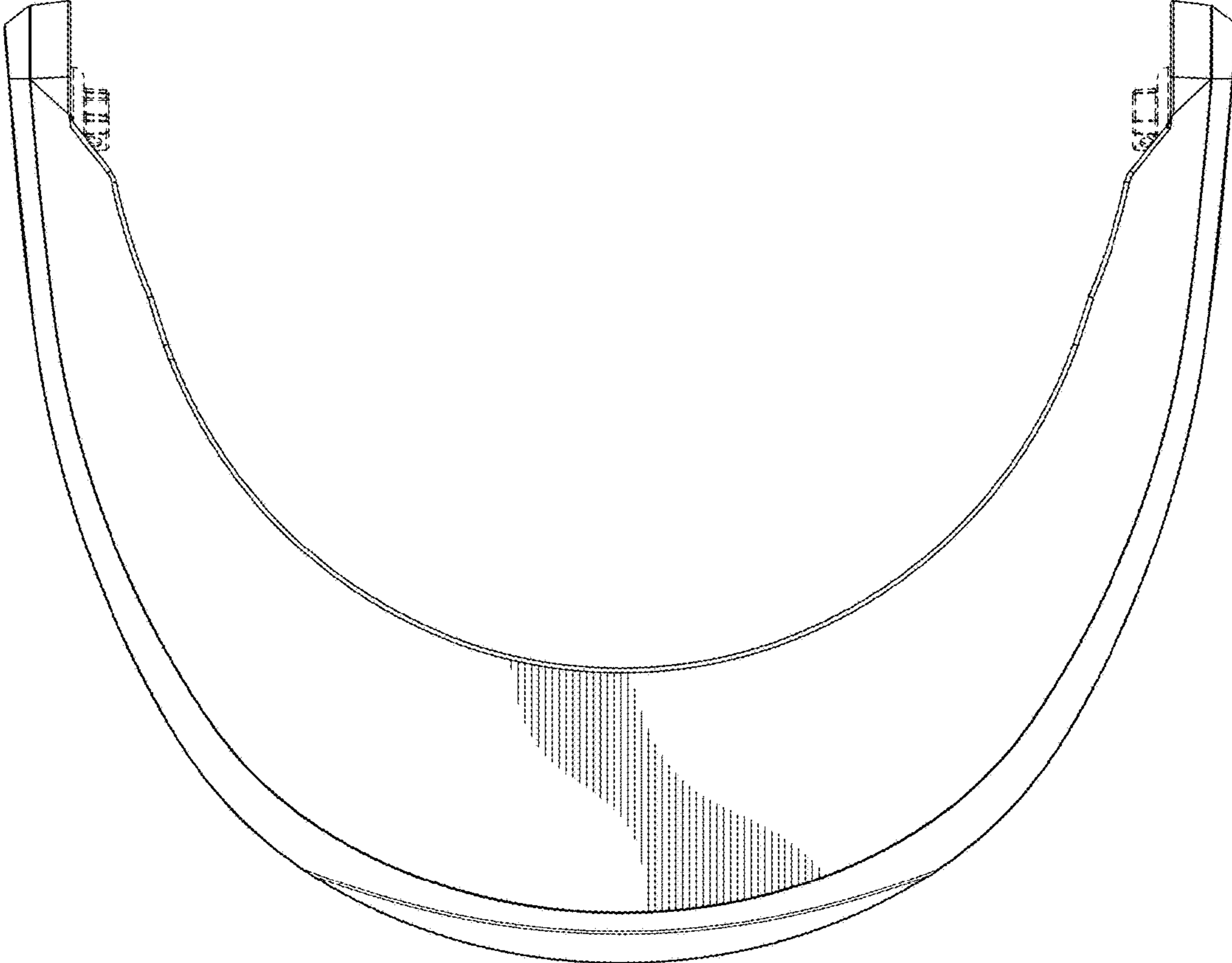


FIG. 6

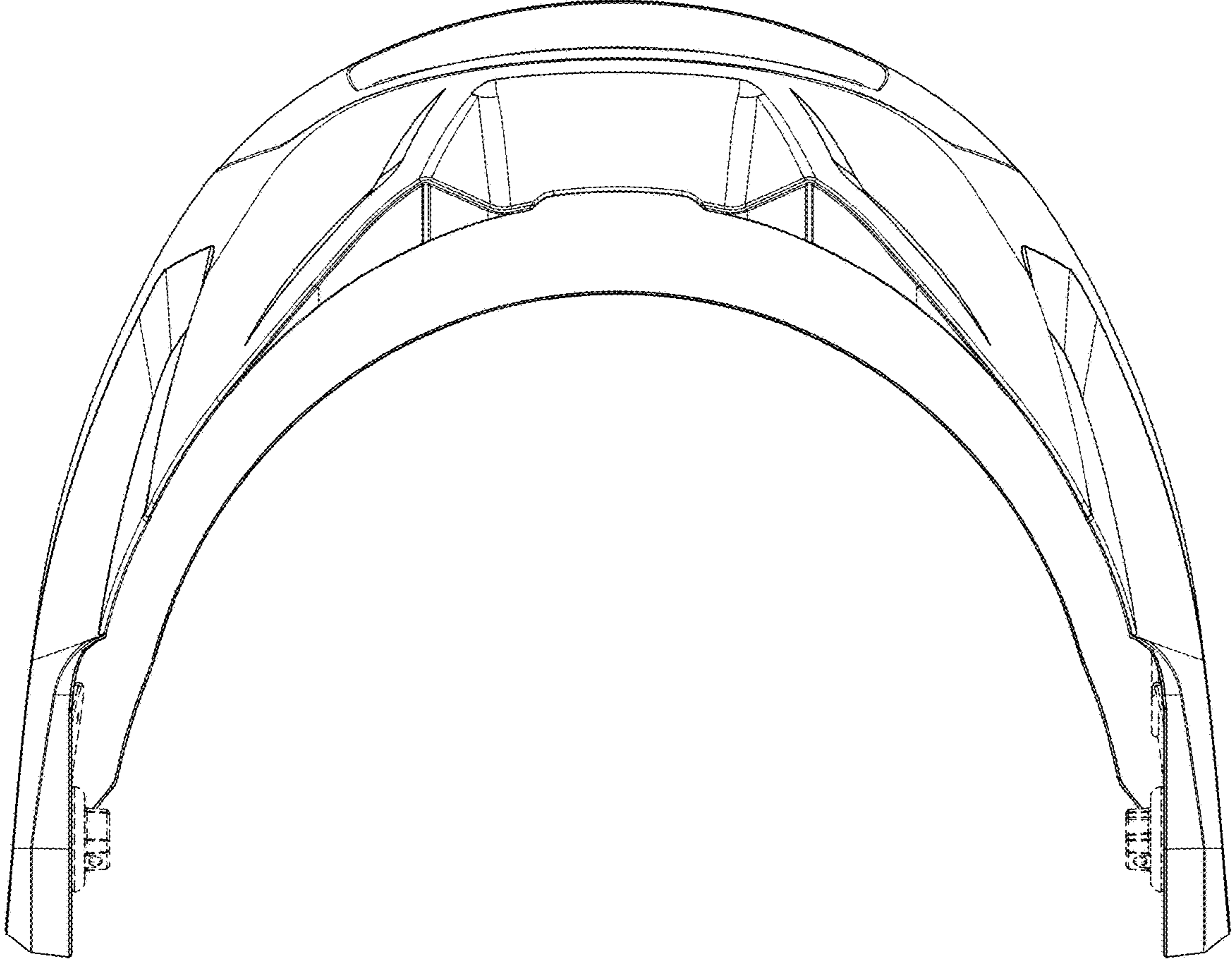


FIG. 7