



US00D788990S

(12) **United States Design Patent**  
**Johnson**

(10) **Patent No.:** **US D788,990 S**

(45) **Date of Patent:** **\*\* Jun. 6, 2017**

(54) **WELDER'S HELMET**

(71) Applicant: **Erik S. Johnson**, Tucson, AZ (US)

(72) Inventor: **Erik S. Johnson**, Tucson, AZ (US)

(\*\*) Term: **15 Years**

(21) Appl. No.: **29/569,863**

(22) Filed: **Jun. 30, 2016**

(51) **LOC (10) Cl.** ..... **29-02**

(52) **U.S. Cl.**  
USPC ..... **D29/110**

(58) **Field of Classification Search**  
USPC ..... D29/110, 102, 106-107, 122  
CPC .. A61F 9/06; A61F 9/061; A61F 9/064; A61F  
9/065; A61F 9/067; A61F 9/068  
See application file for complete search history.

(56) **References Cited**

**U.S. PATENT DOCUMENTS**

D431,328 S *	9/2000	Tanner	.....	D29/110
D446,887 S *	8/2001	Young	.....	D29/107
D553,802 S *	10/2007	Huh	.....	D29/110
D584,858 S *	1/2009	Wang	.....	D29/110
D586,956 S *	2/2009	Huh	.....	D29/110

D594,600 S *	6/2009	Huh	.....	D29/110
9,009,862 B2 *	4/2015	Huh	.....	A61F 9/06 2/8.3
D756,569 S *	5/2016	Yang	.....	D29/110

\* cited by examiner

*Primary Examiner* — Robert Delehanty

(74) *Attorney, Agent, or Firm* — Quarles & Brady LLP;  
Jiarong L. Lamiquiz

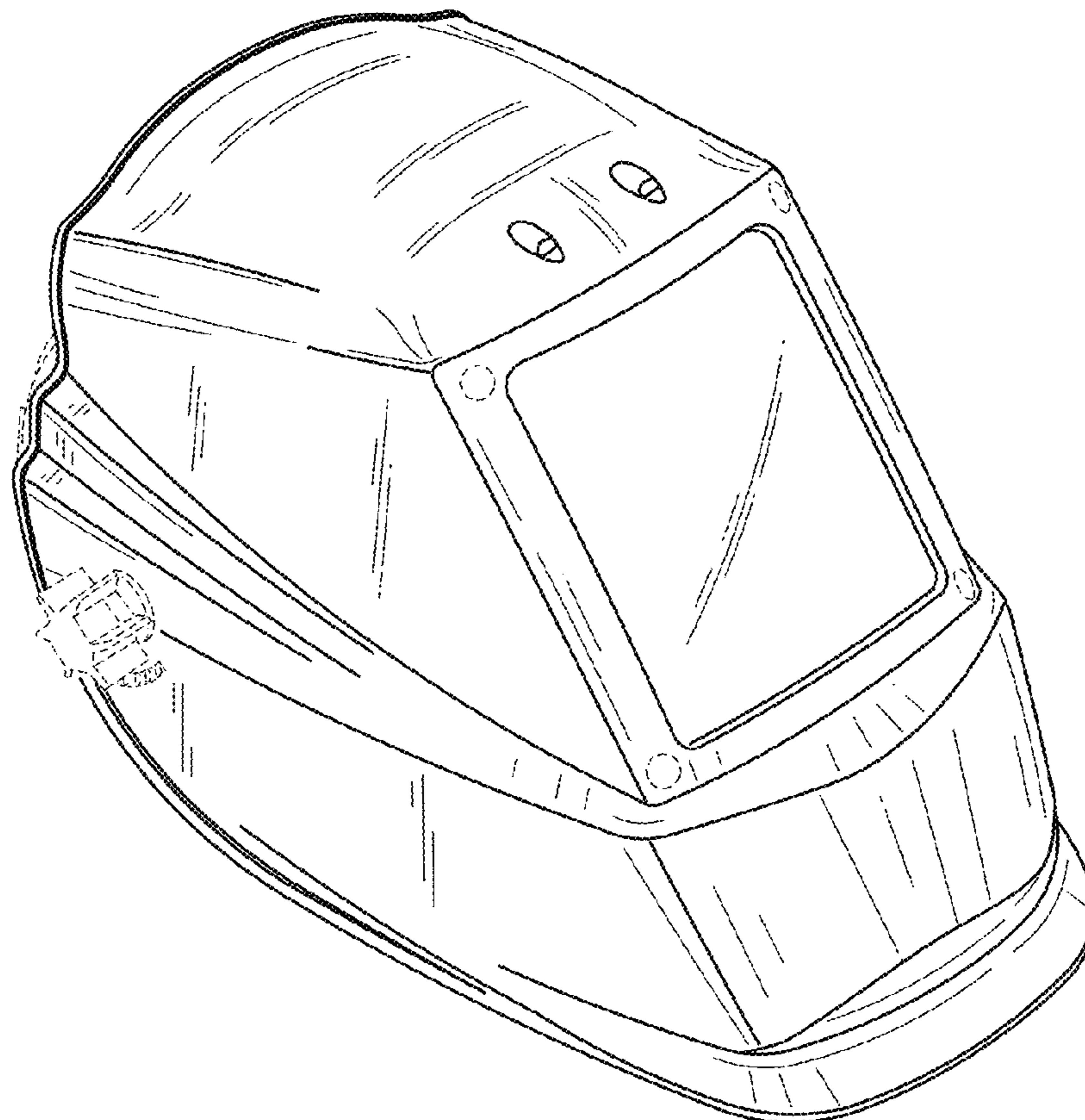
(57) **CLAIM**

The ornamental design for a welder's helmet, as shown and described.

**DESCRIPTION**

FIG. 1 is a perspective view of a welder's helmet showing my new design;  
FIG. 2 is a side view;  
FIG. 3 is a top view;  
FIG. 4 is a front view;  
FIG. 5 is a rear view; and,  
FIG. 6 is a bottom view.  
In the drawings, the broken lines represent environment and form no part of the claimed design.

**1 Claim, 3 Drawing Sheets**



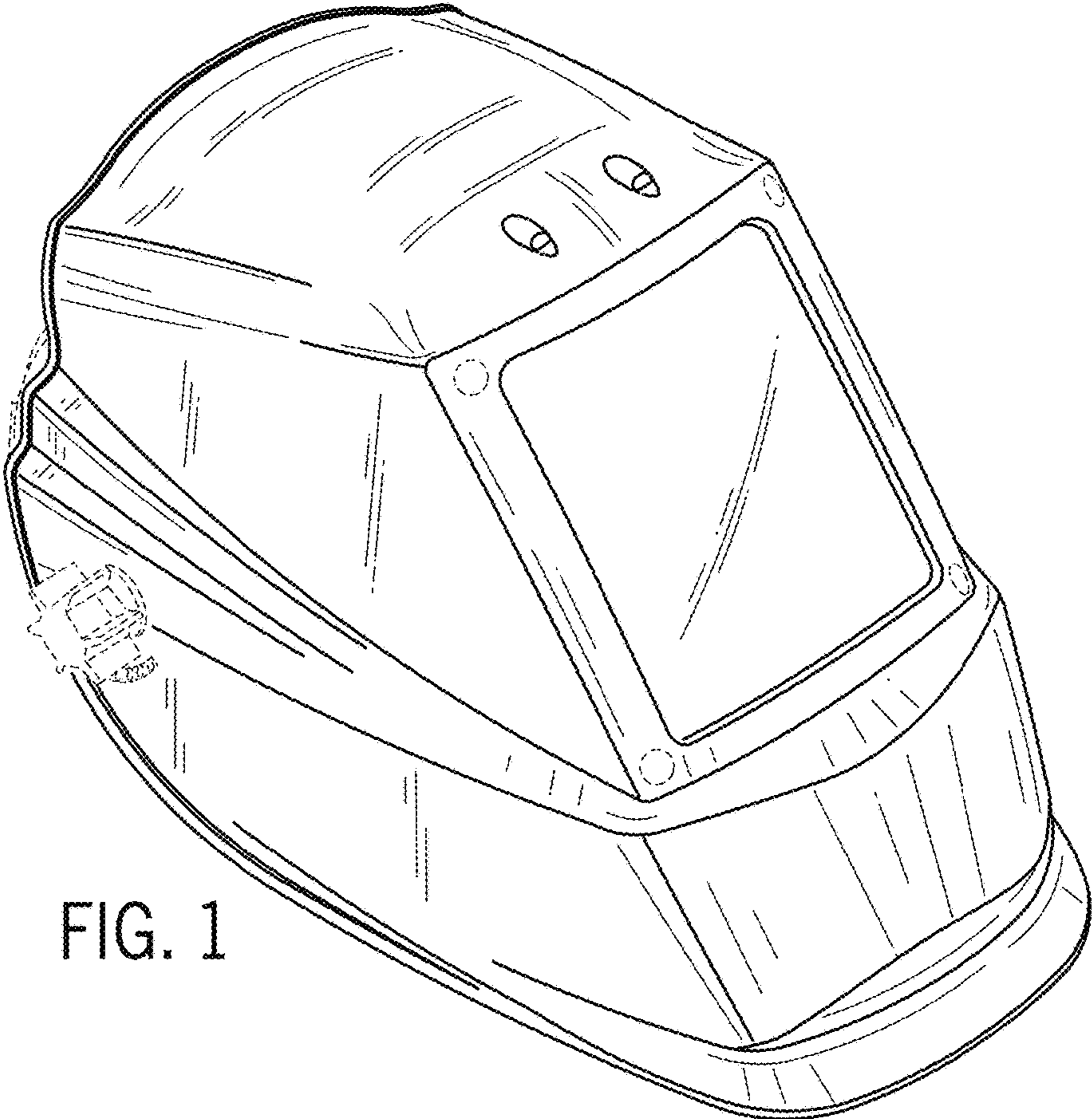


FIG. 1

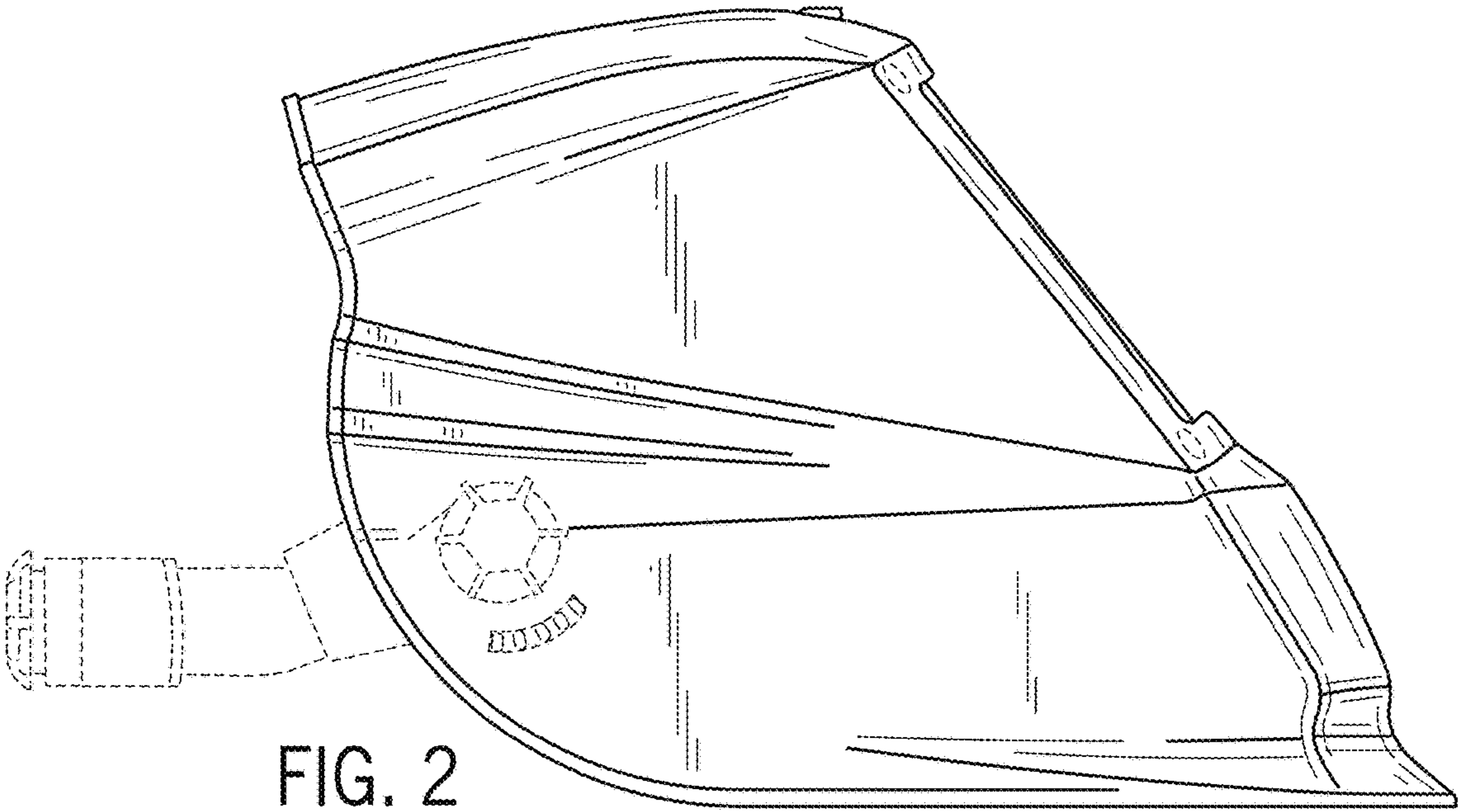


FIG. 2

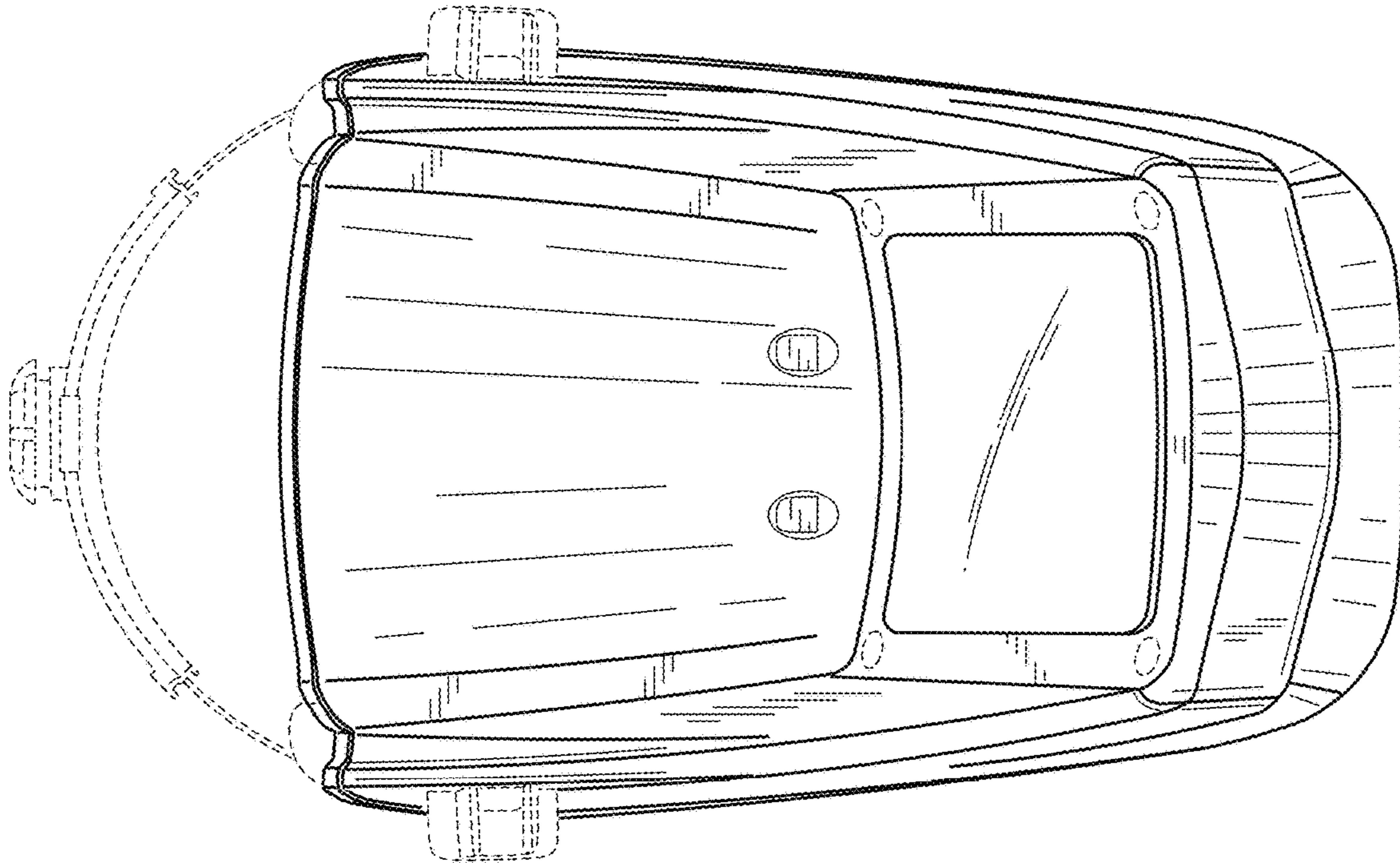


FIG. 3

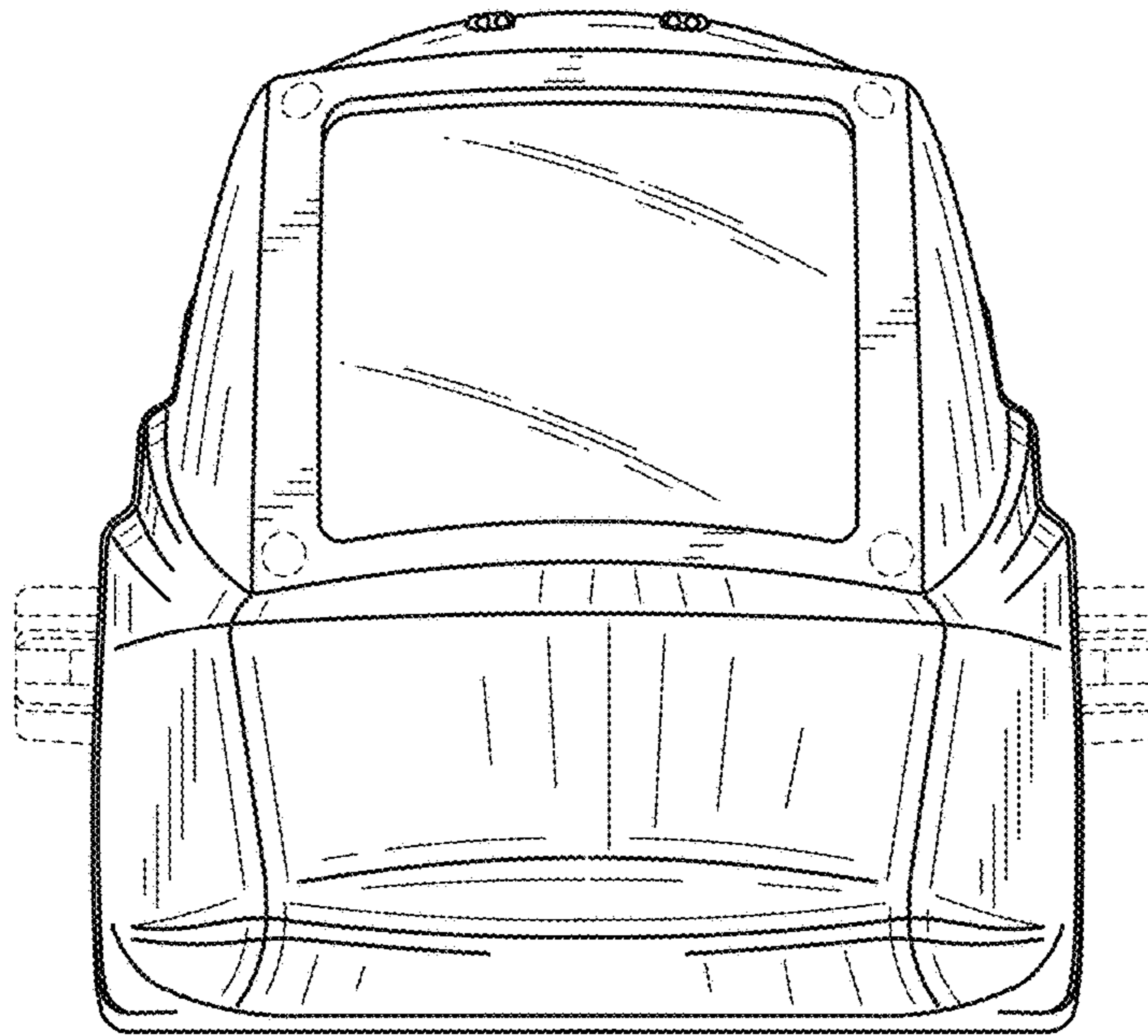


FIG. 4

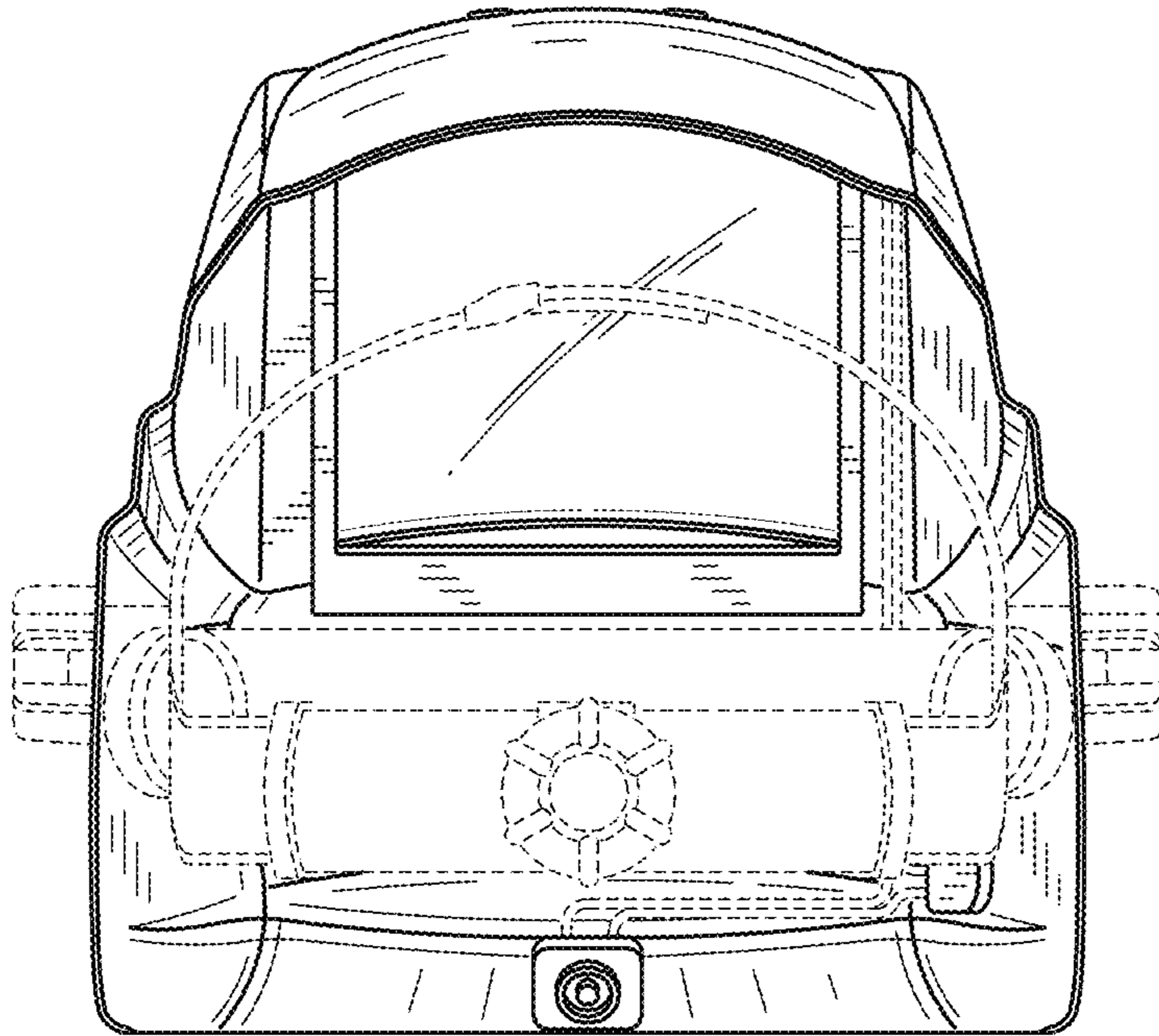


FIG. 5

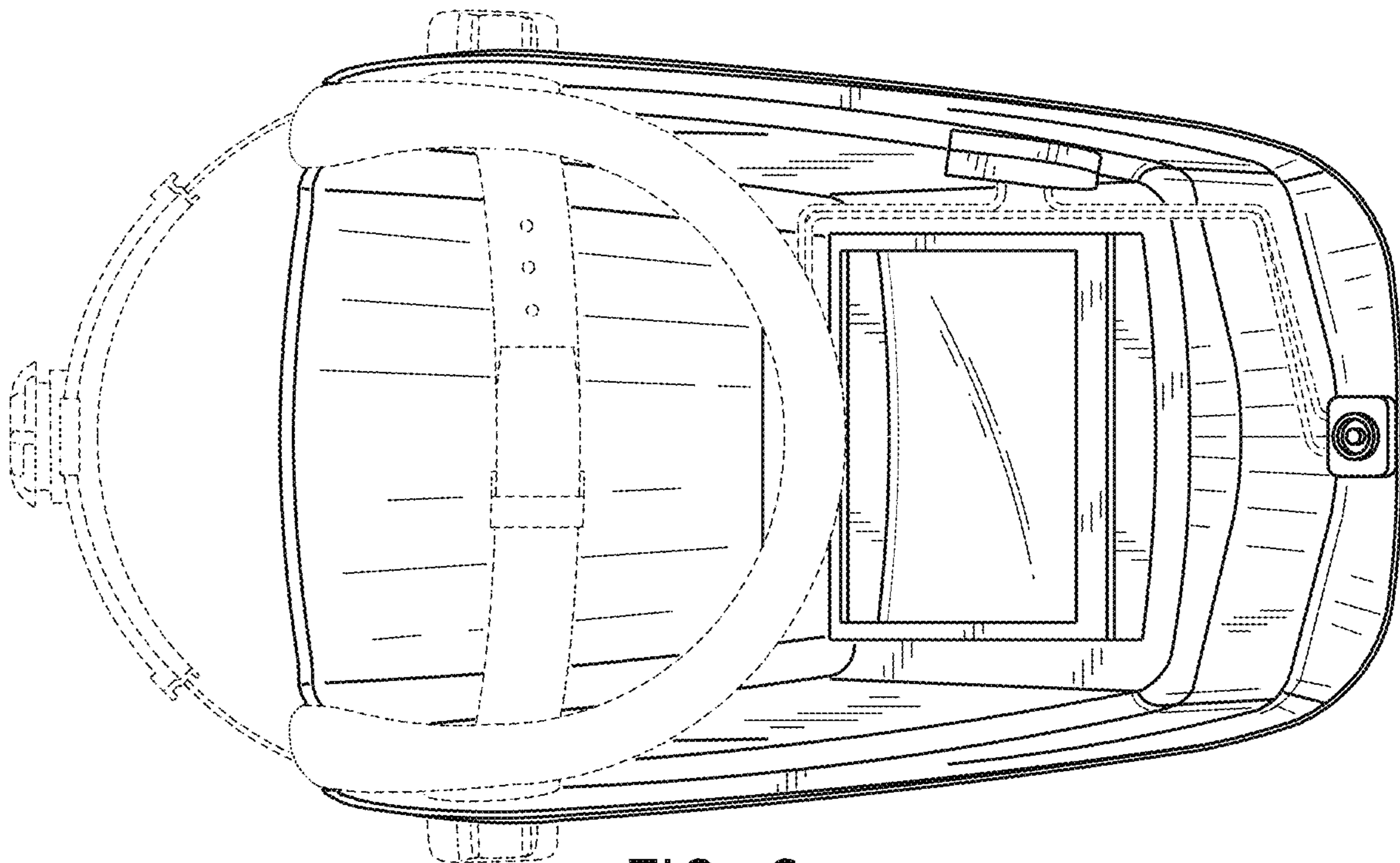


FIG. 6