



US00D788988S

(12) **United States Design Patent** (10) **Patent No.:** **US D788,988 S**
Zhou (45) **Date of Patent:** **** Jun. 6, 2017**

(54) **WELDING HELMET**

D775,427 S * 12/2016 Zhou D29/110

* cited by examiner

(71) Applicant: **NINGBO GEOSTAR PHOTOELECTRIC TECHNOLOGY CO., LTD.**, Ningbo (CN)

Primary Examiner — Robert Delehanty
(74) *Attorney, Agent, or Firm* — Andrew F. Young, Esq.; Lackenbach Siegel, LLP

(72) Inventor: **Jianrong Zhou**, Ningbo (CN)

(73) Assignee: **NINGBO GEOSTAR PHOTOELECTRIC TECHNOLOGY CO., LTD.**, Ningbo (CN)

(57) **CLAIM**

The ornamental design for a welding helmet, as shown and described.

(**) Term: **15 Years**

DESCRIPTION

(21) Appl. No.: **29/556,651**

FIG. 1 is a front elevation view of a welding helmet.
FIG. 2 is a back elevation view thereof.
FIG. 3 is a left side elevation view thereof.
FIG. 4 is a right side elevation view thereof.
FIG. 5 is a top plan view thereof.
FIG. 6 is a bottom plan view thereof.
FIG. 7 is a front top perspective view thereof.
FIG. 8 is a left side perspective view thereof.
FIG. 9 is a right side perspective view thereof.
FIG. 10 is rear side bottom perspective view thereof.
FIG. 11 is a front elevation view of an alternative welding helmet having a smaller portal.
FIG. 12 is a back elevation view of FIG. 11.
FIG. 13 is a left side elevation view of FIG. 11.
FIG. 14 is a right side elevation view of FIG. 11.
FIG. 15 is a top plan view of FIG. 11.
FIG. 16 is a bottom plan view of FIG. 11.
FIG. 17 is a front top perspective view of FIG. 11.
FIG. 18 is a right side perspective view of FIG. 11; and, FIG. 19 is rear side bottom perspective view of FIG. 11.
The broken lines showing the structure around the inner weld-glass opening is included for the purpose of illustrating a portion of the welding helmet that form no part of the claimed design.

(22) Filed: **Mar. 2, 2016**

(30) **Foreign Application Priority Data**

Nov. 26, 2015 (CN) 2015 3 0481977

(51) **LOC (10) Cl.** **29-02**

(52) **U.S. Cl.**
USPC **D29/110**

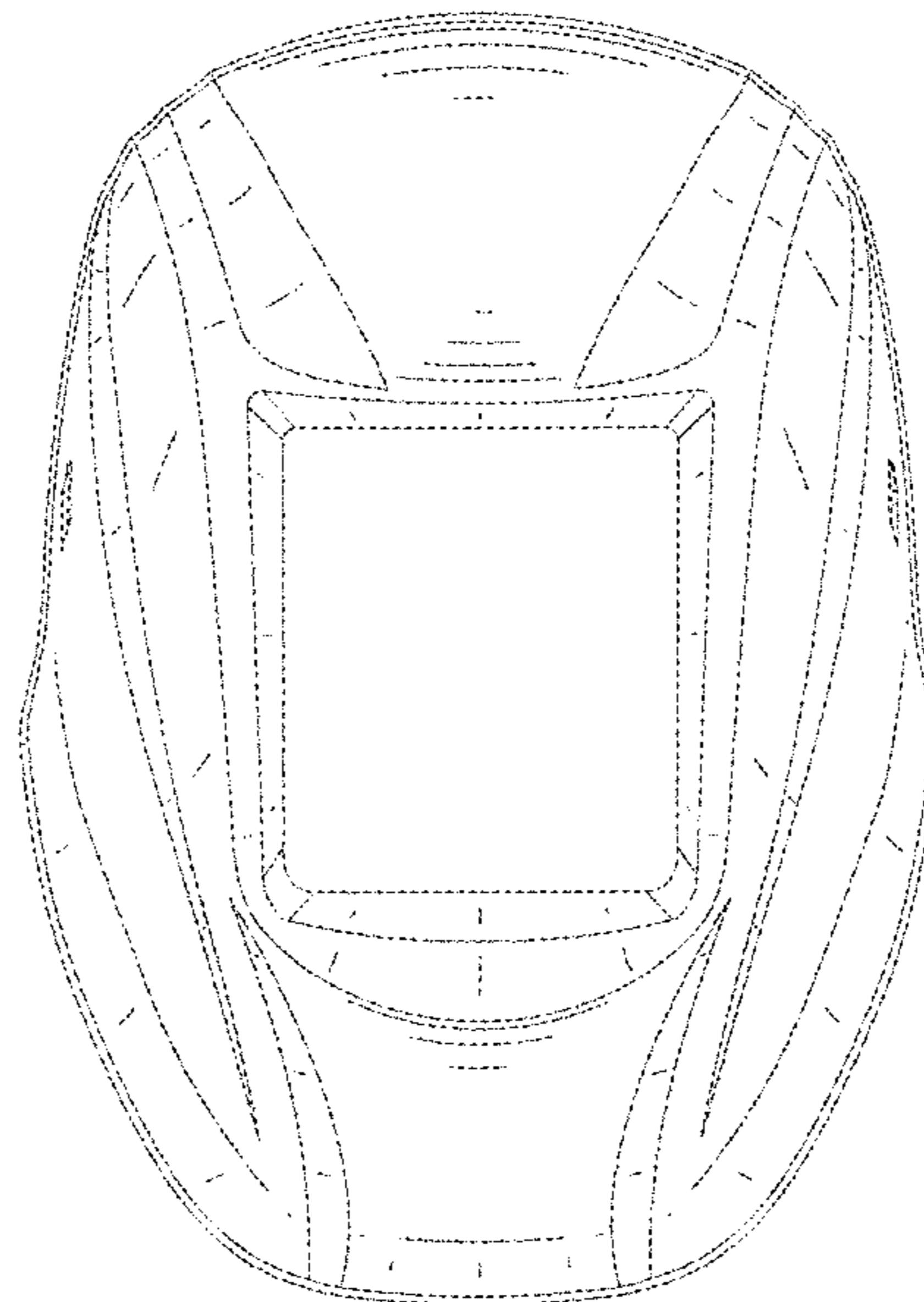
(58) **Field of Classification Search**
USPC D29/110, 102, 106–107, 122
CPC .. A61F 9/06; A61F 9/061; A61F 9/064; A61F 9/065; A61F 9/067; A61F 9/068
See application file for complete search history.

(56) **References Cited**

U.S. PATENT DOCUMENTS

- D540,990 S * 4/2007 Huh D29/110
- D586,956 S * 2/2009 Huh D29/110
- 9,009,862 B2 * 4/2015 Huh A61F 9/06
2/8.3
- D753,345 S * 4/2016 Yang D29/110
- D756,569 S * 5/2016 Yang D29/110
- D774,701 S * 12/2016 Yang D29/110

1 Claim, 19 Drawing Sheets



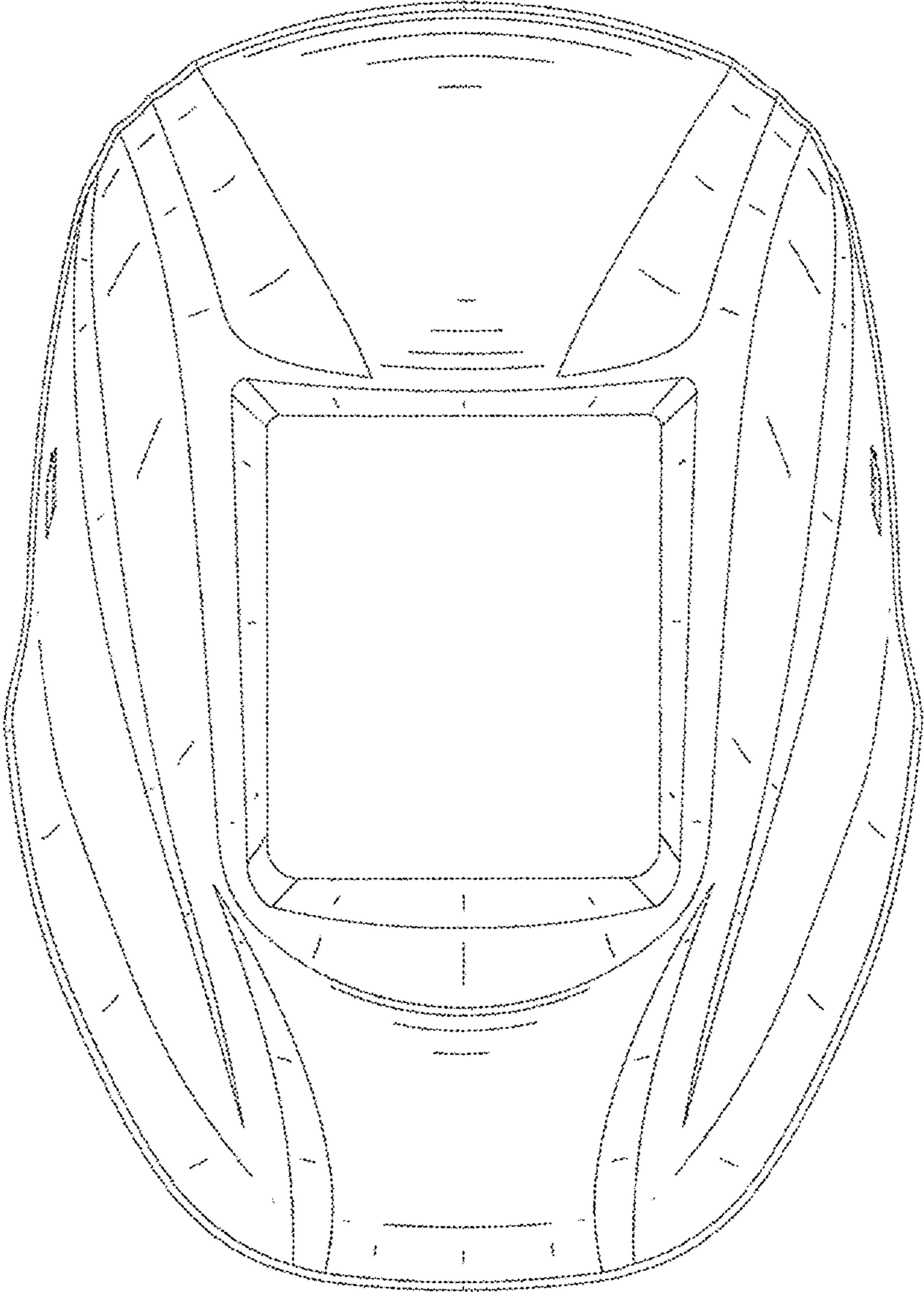


FIG.1

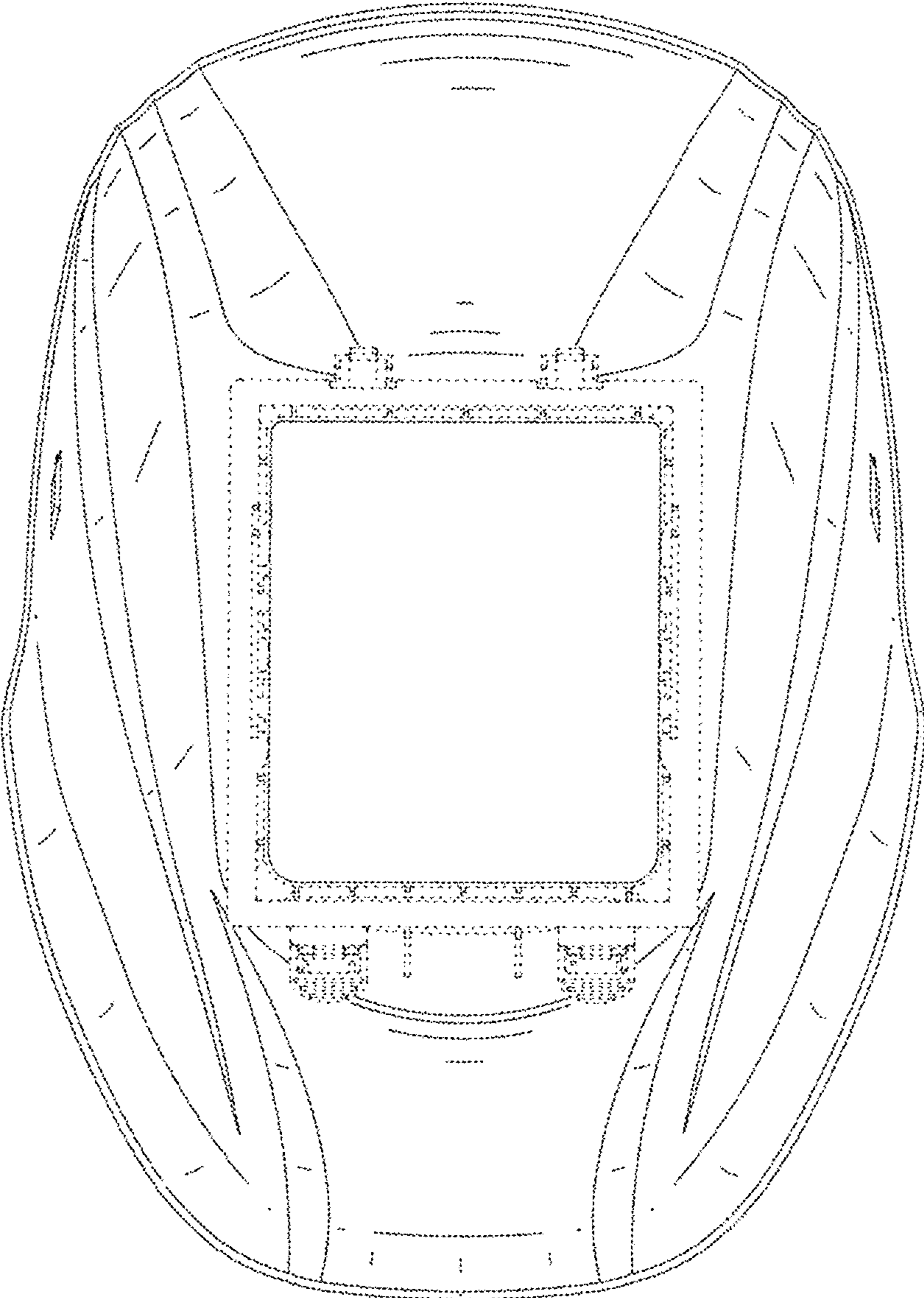


FIG.2

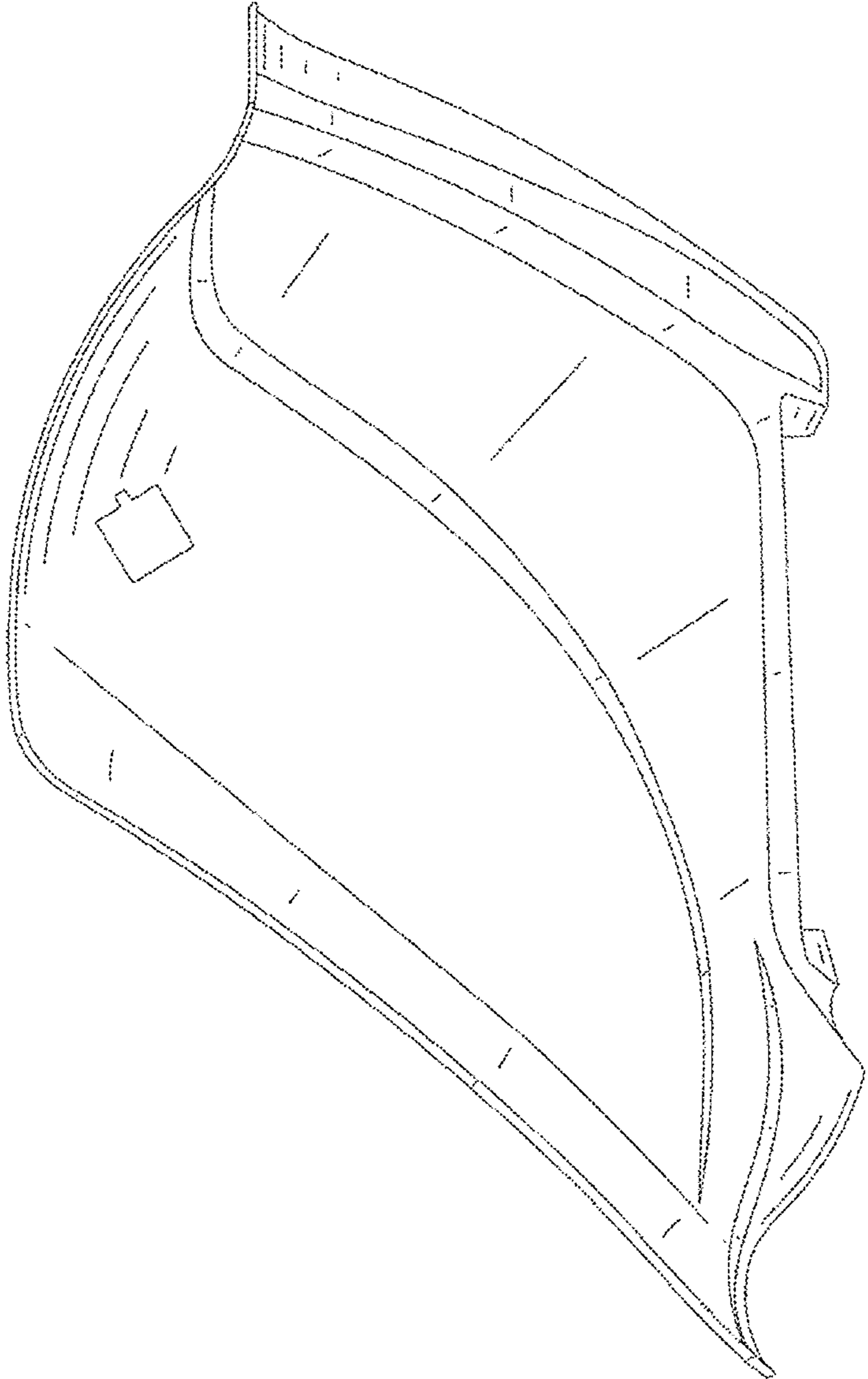


FIG.3

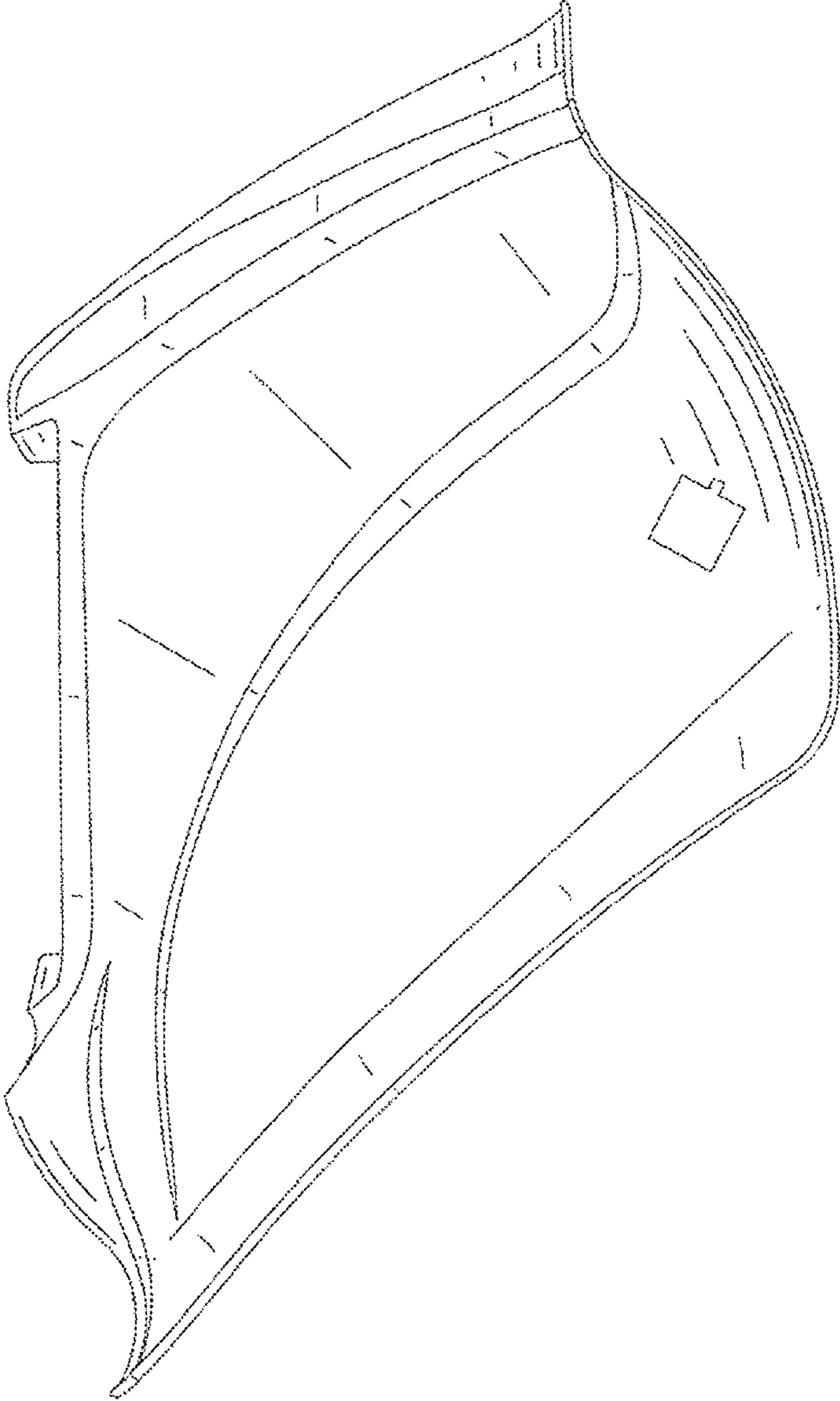


FIG.4

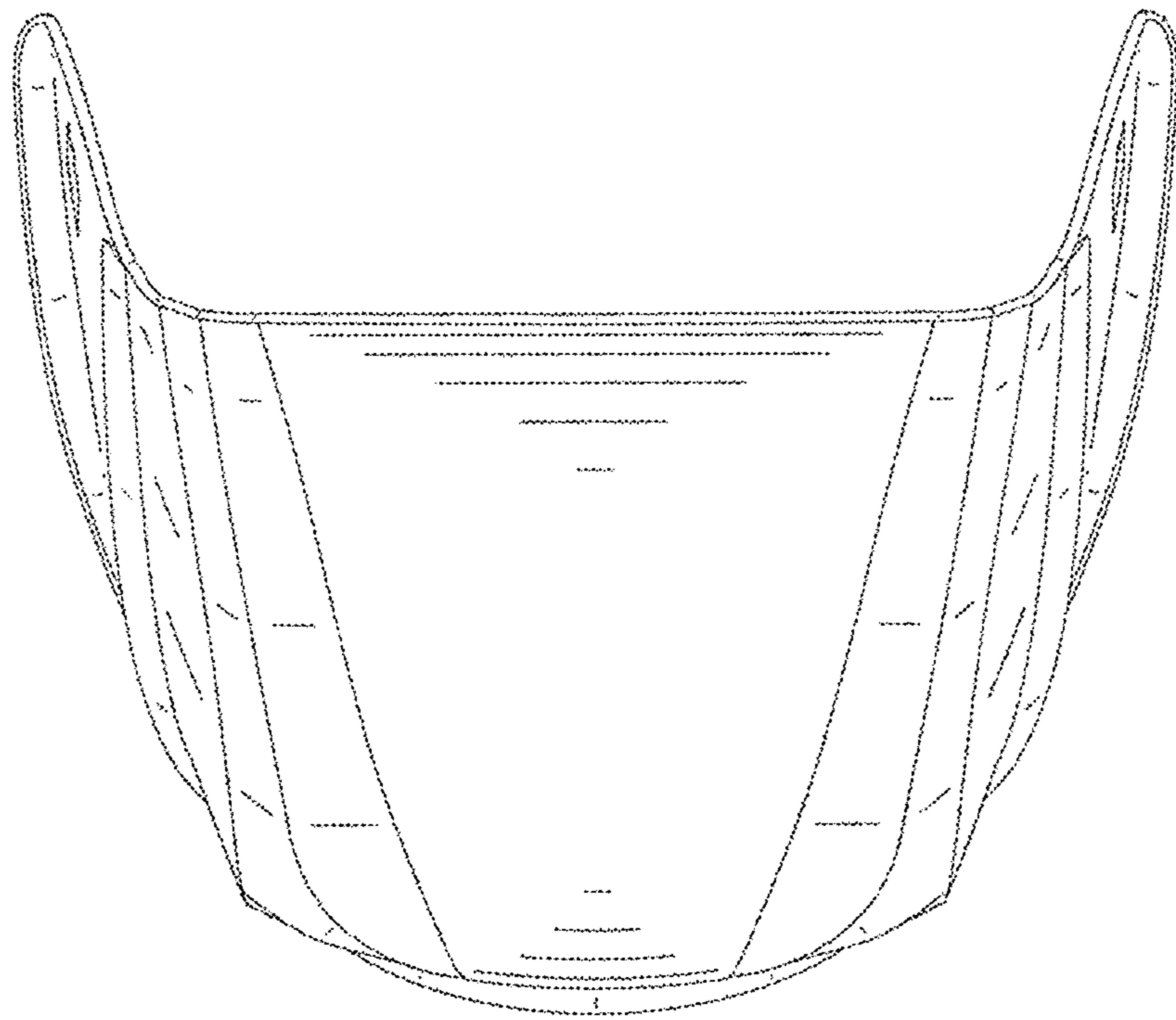


FIG.5

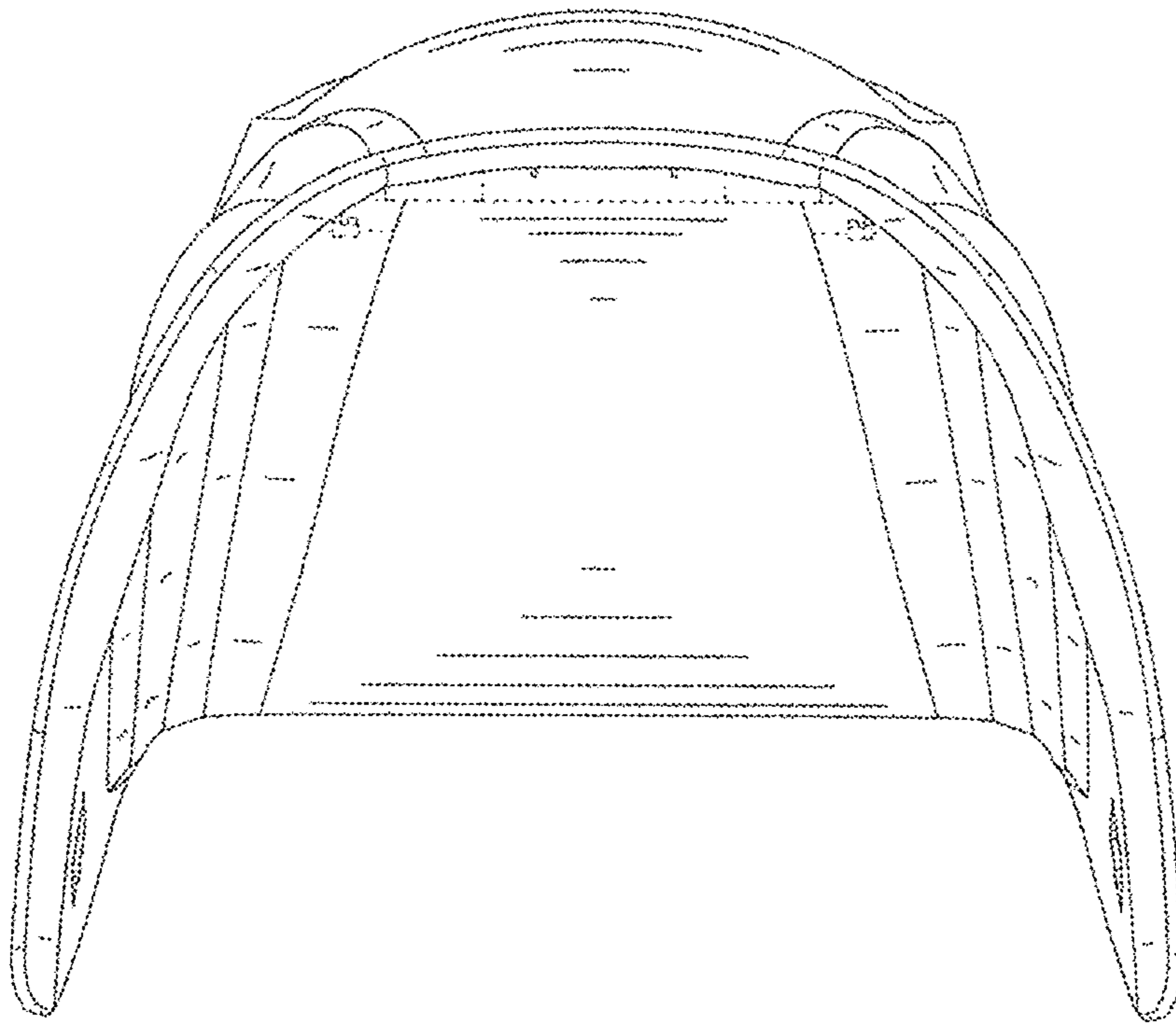


FIG.6

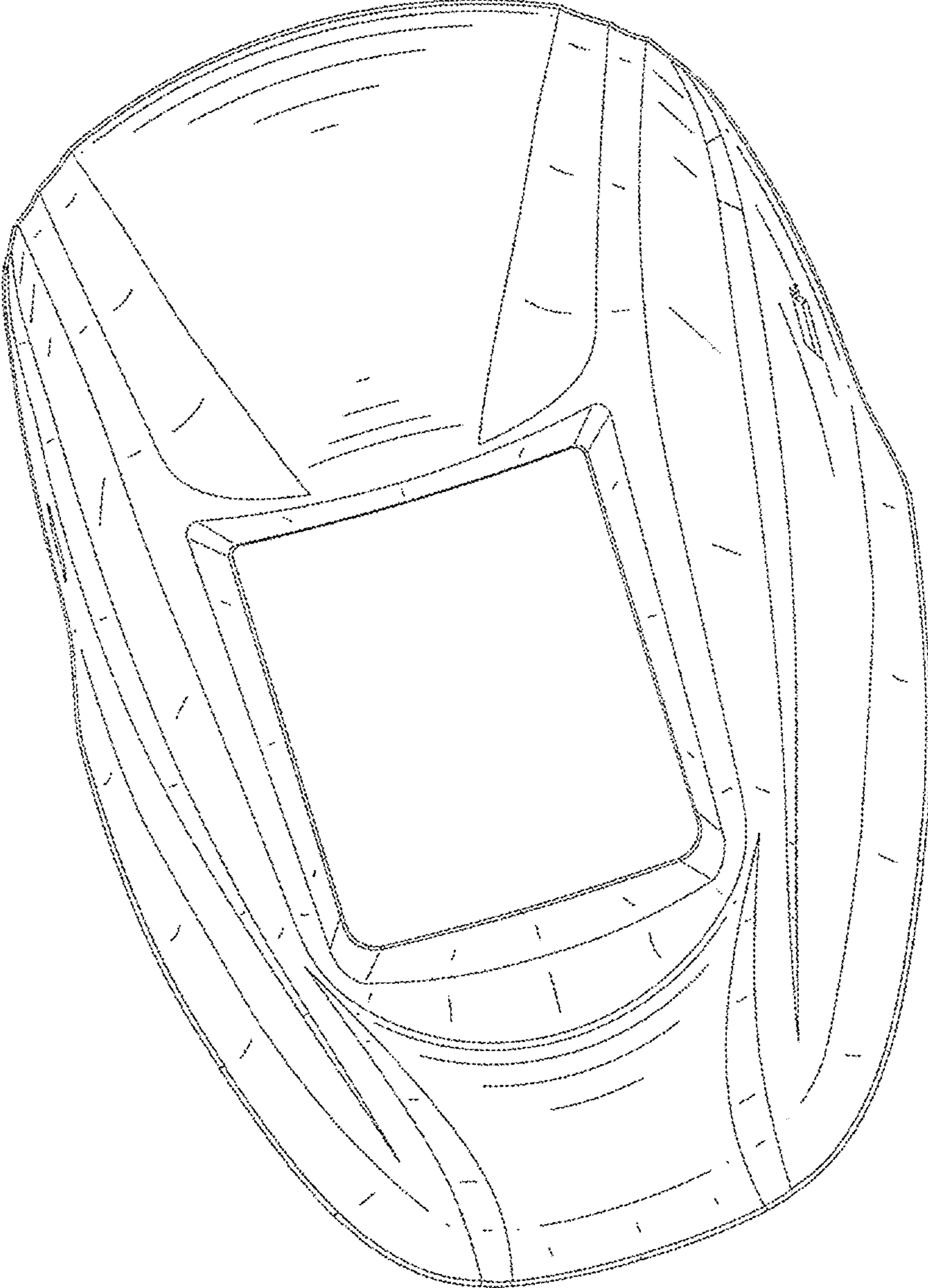


FIG.7

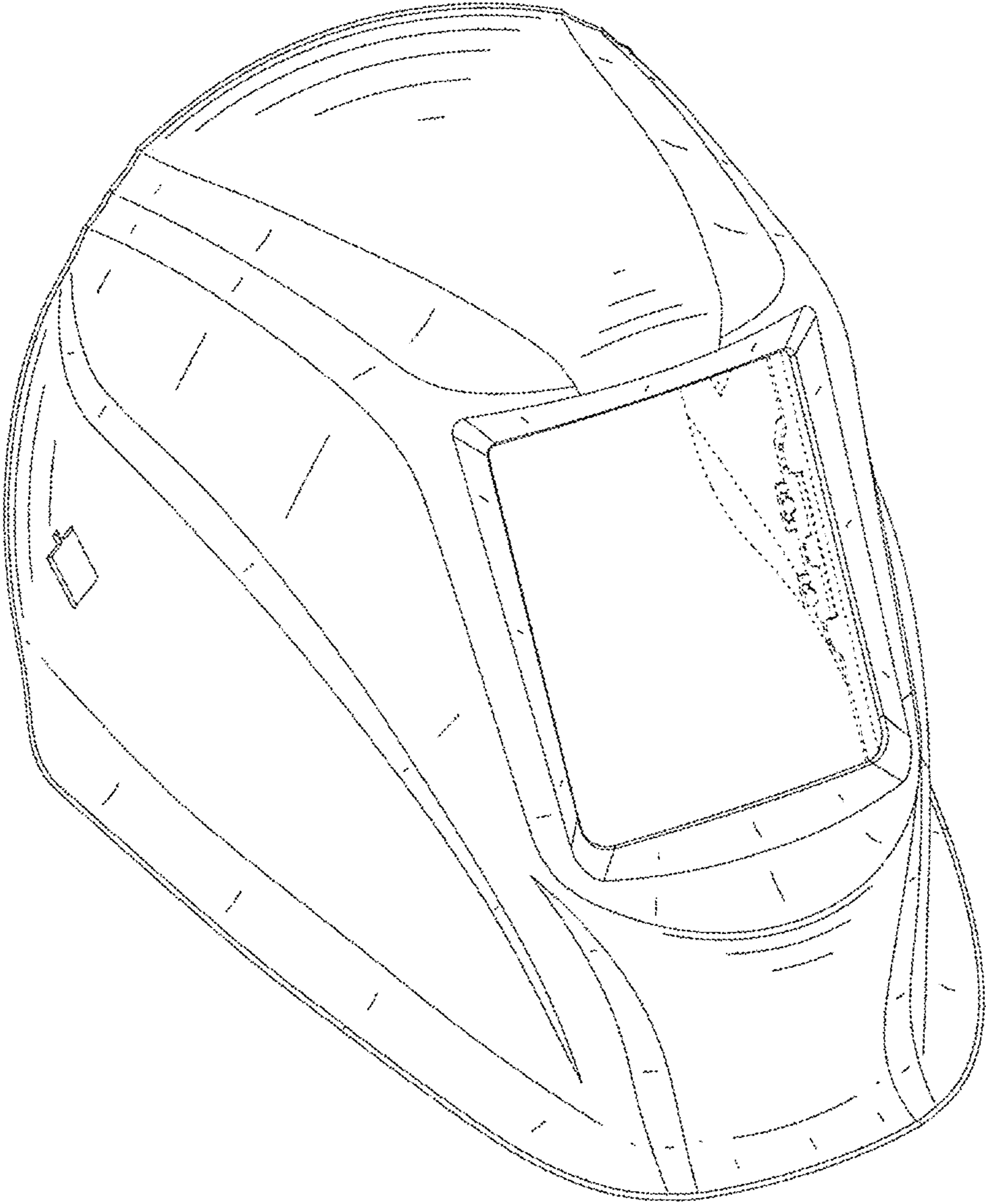


FIG.8

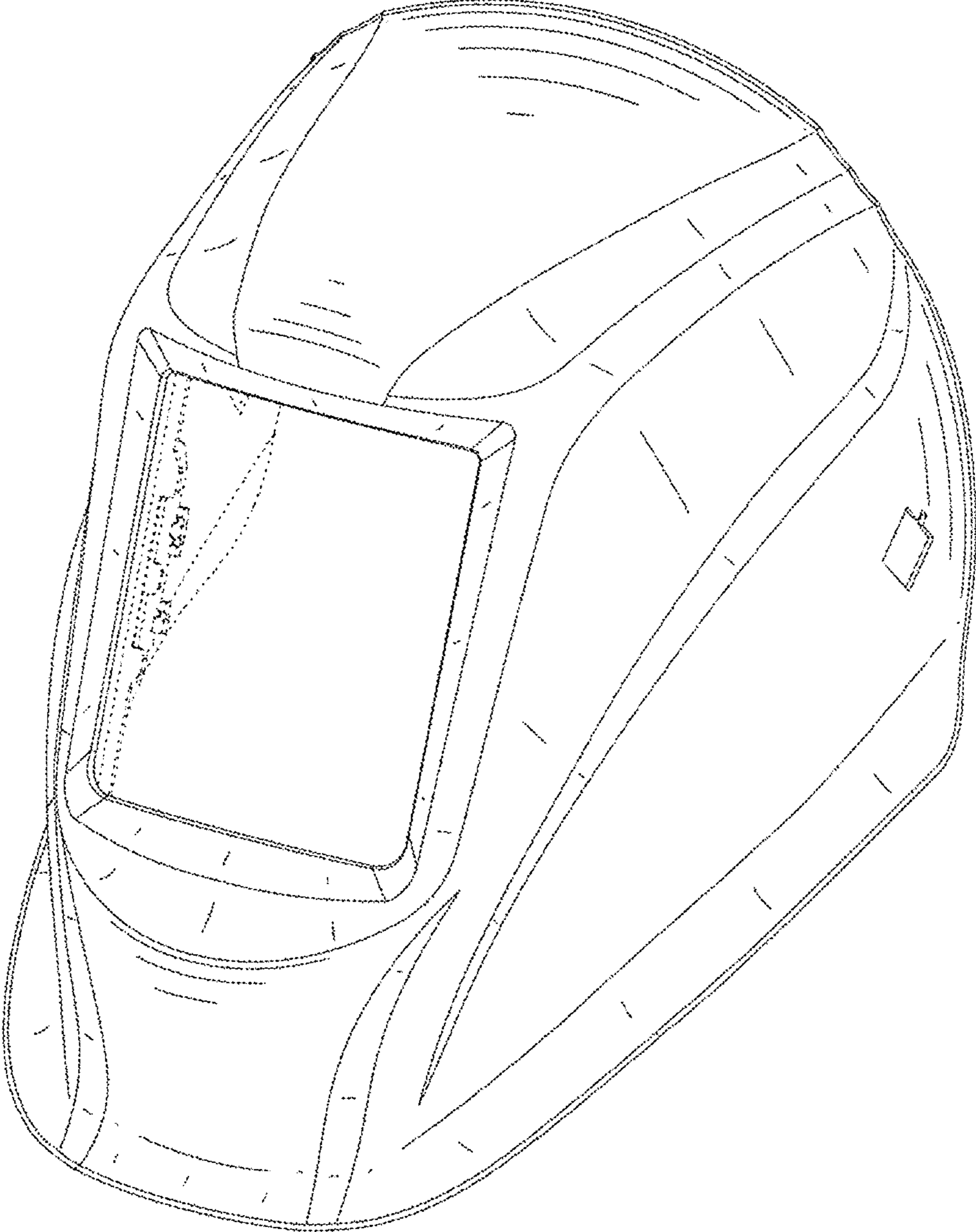


FIG.9

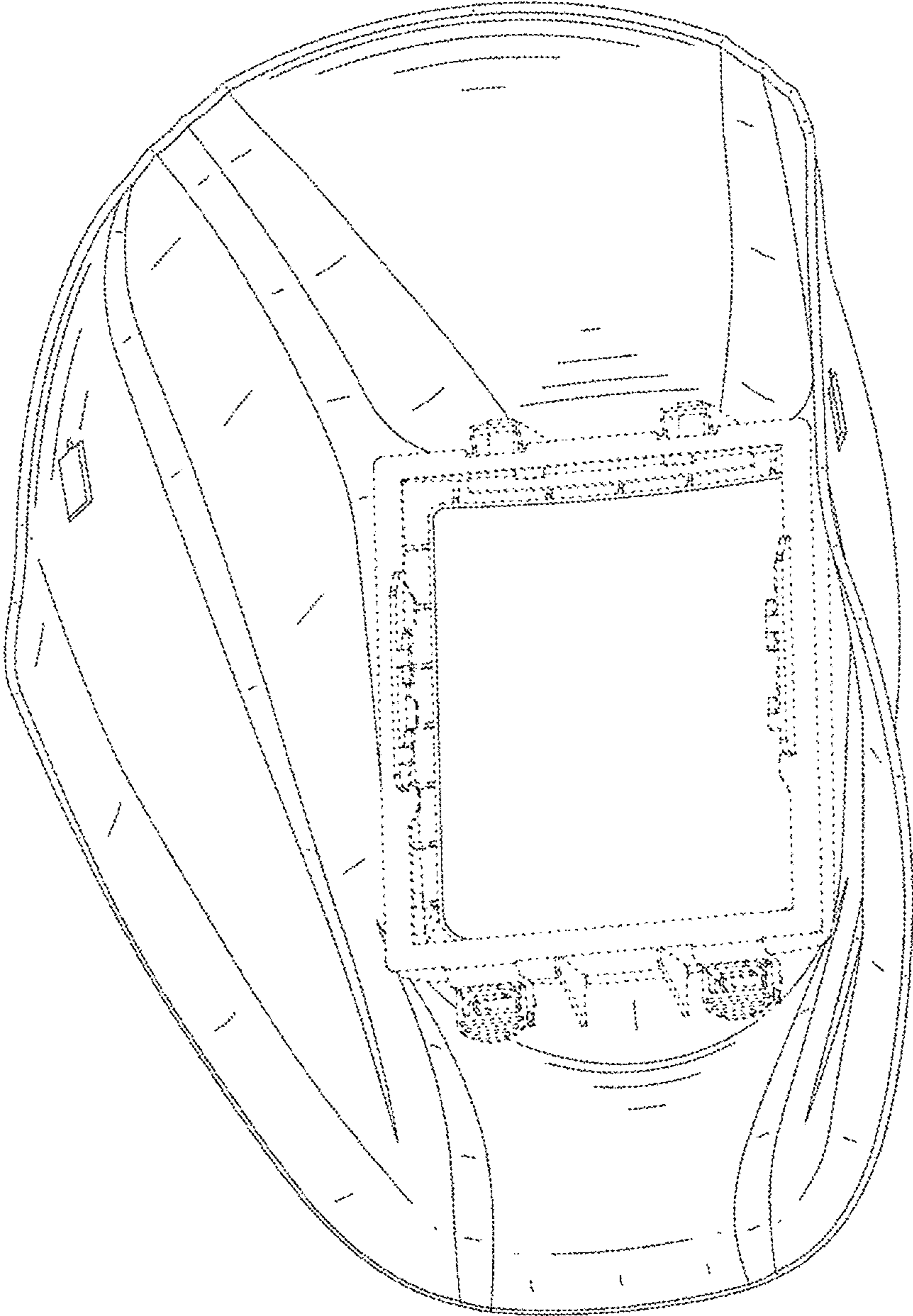


FIG.10

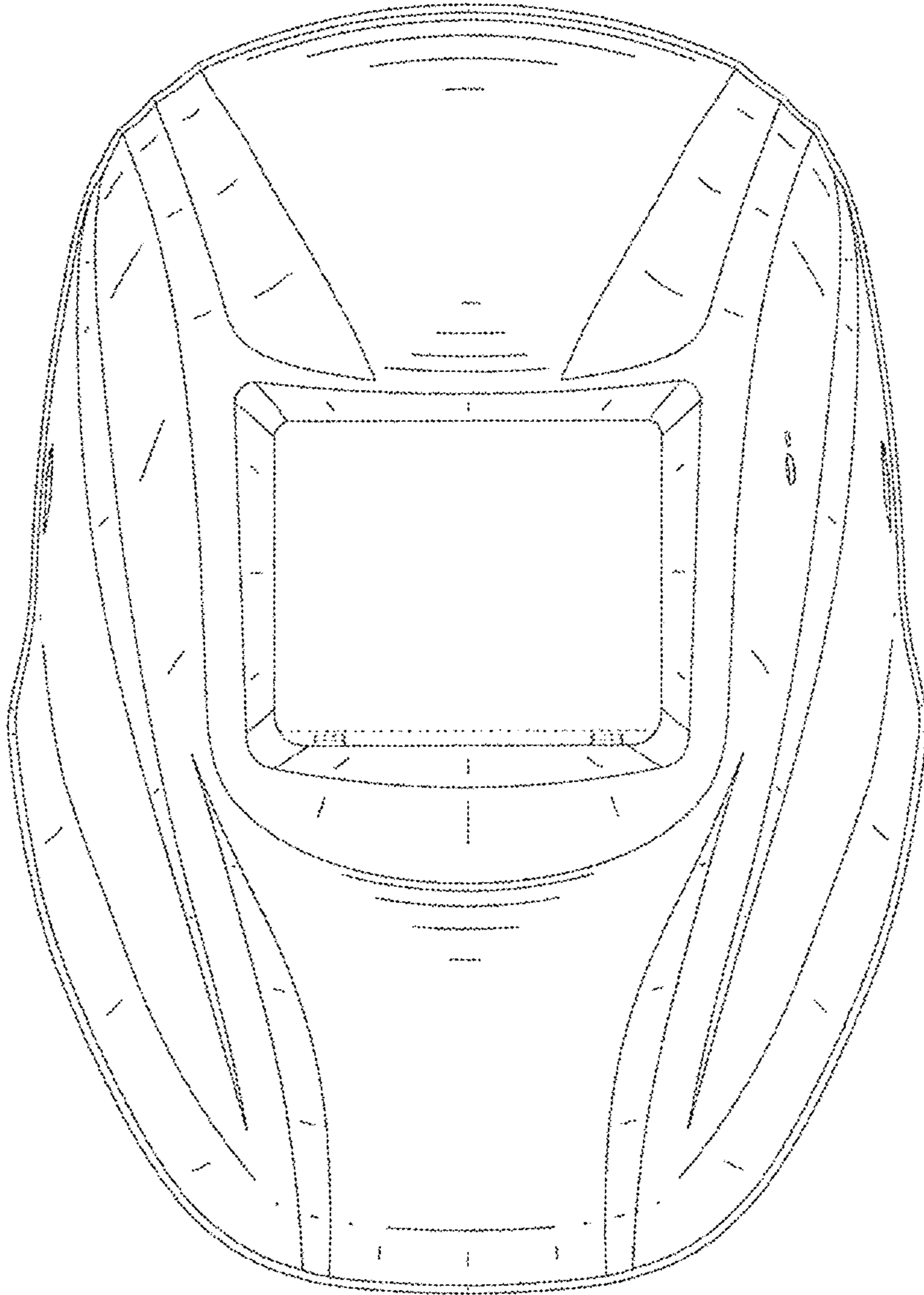


FIG.11

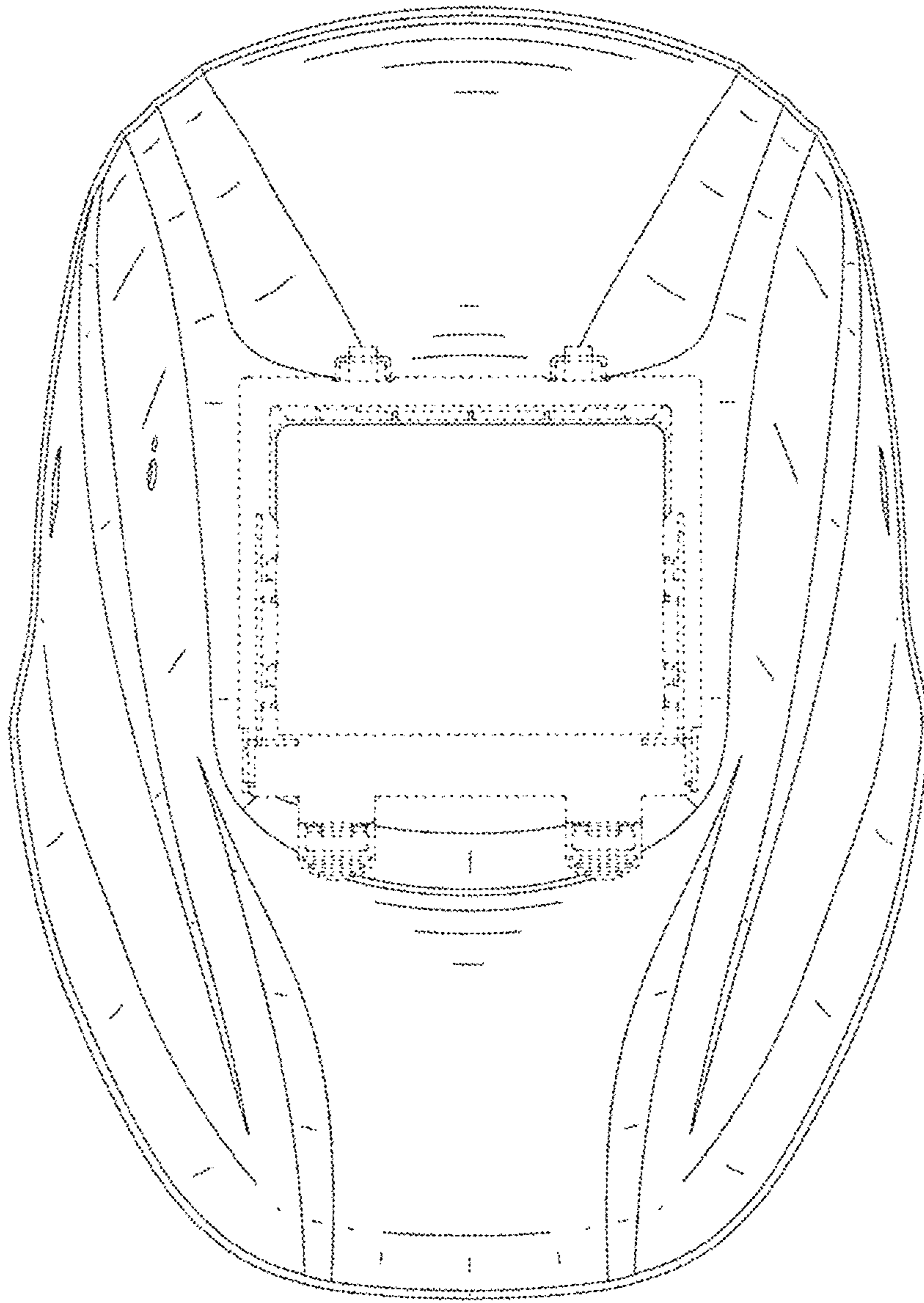


FIG.12

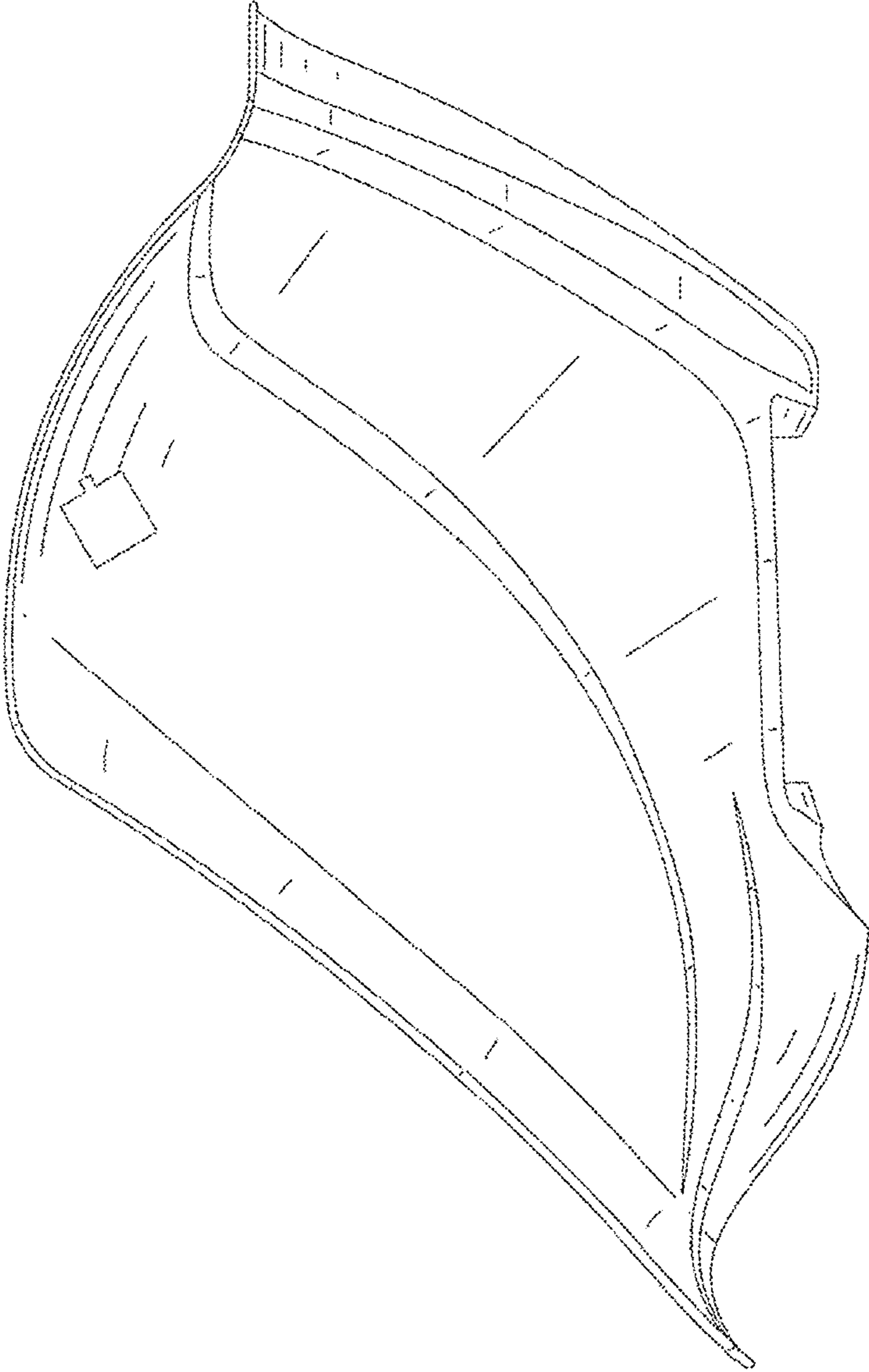


FIG.13

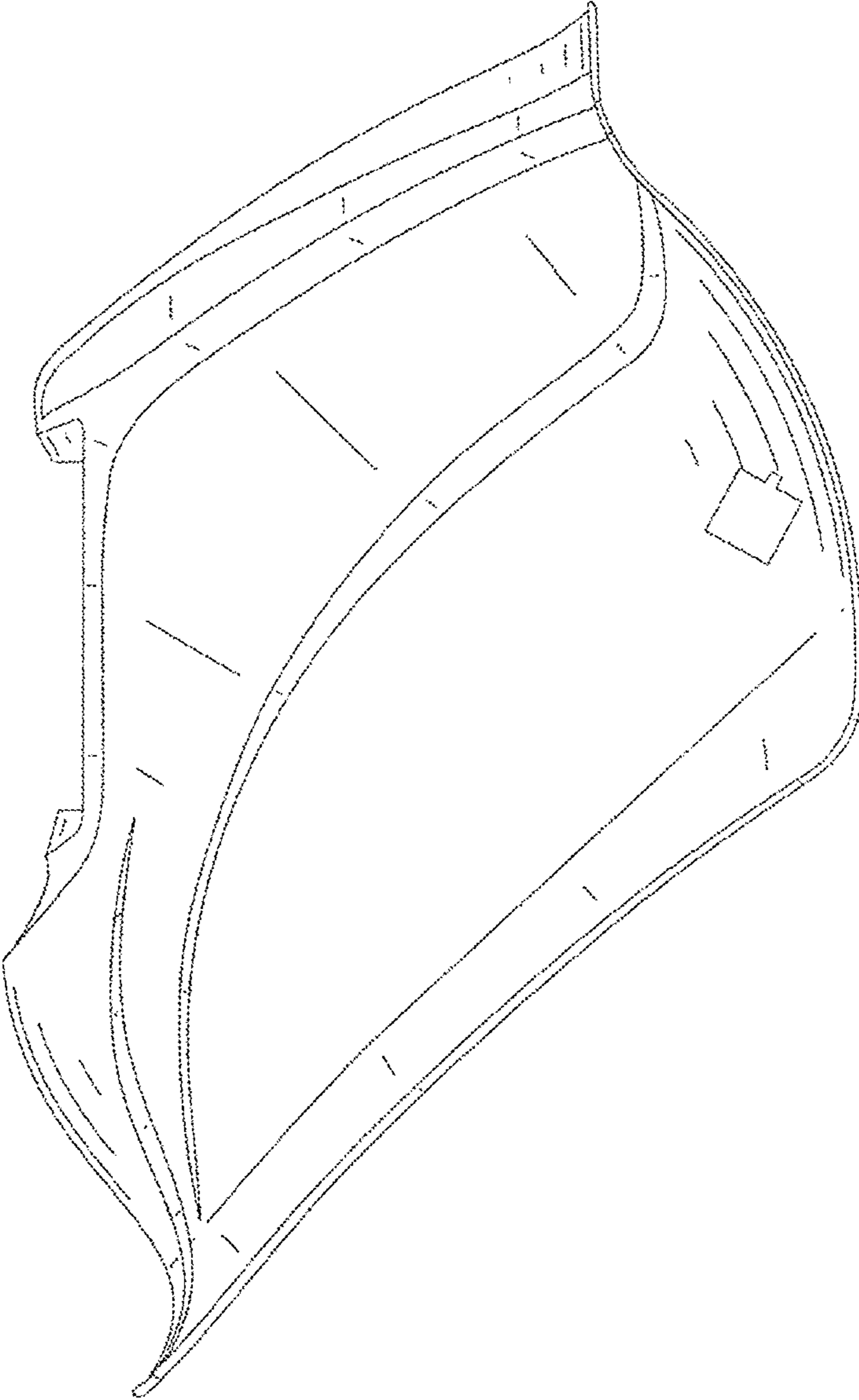


FIG.14

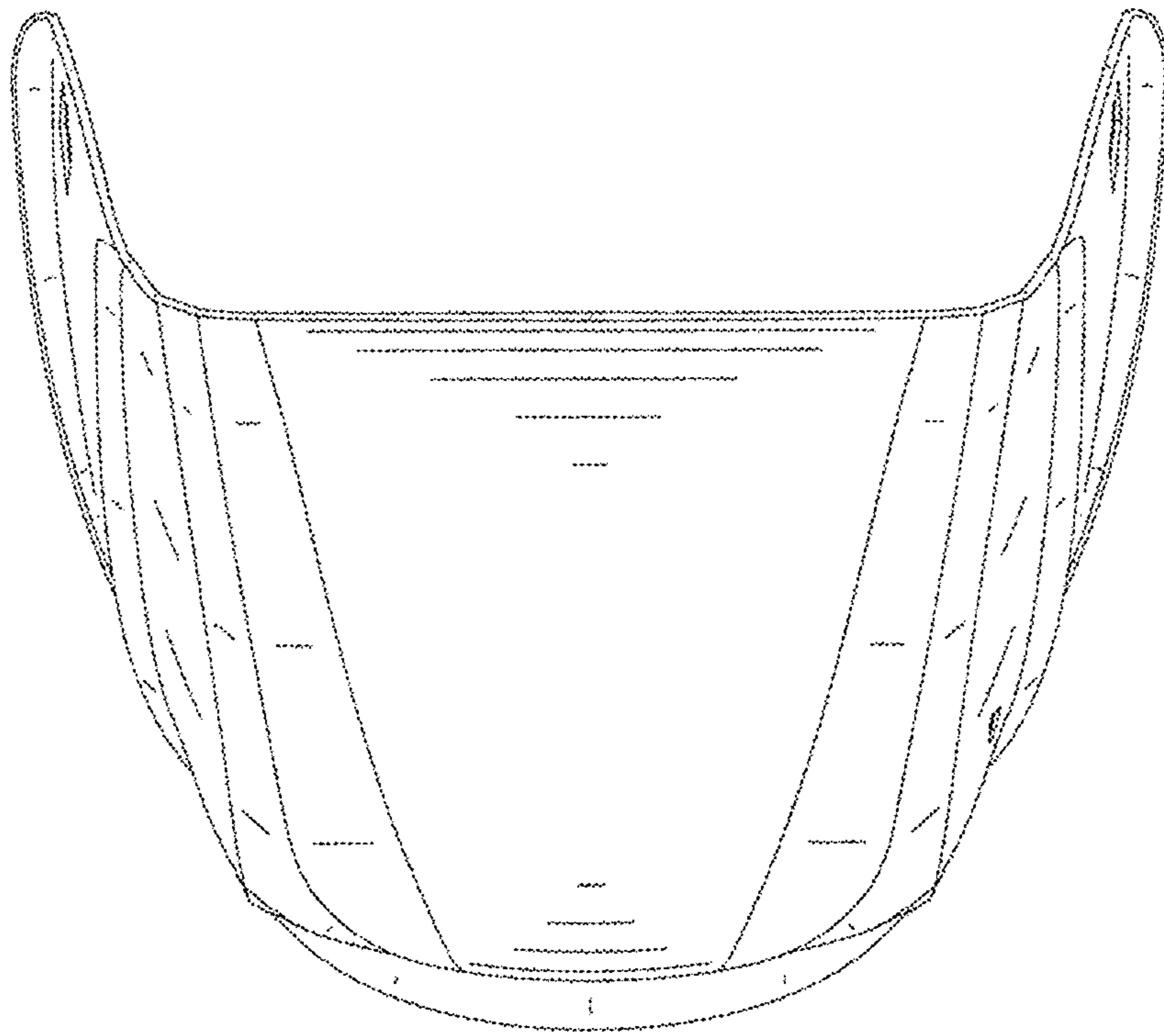


FIG.15

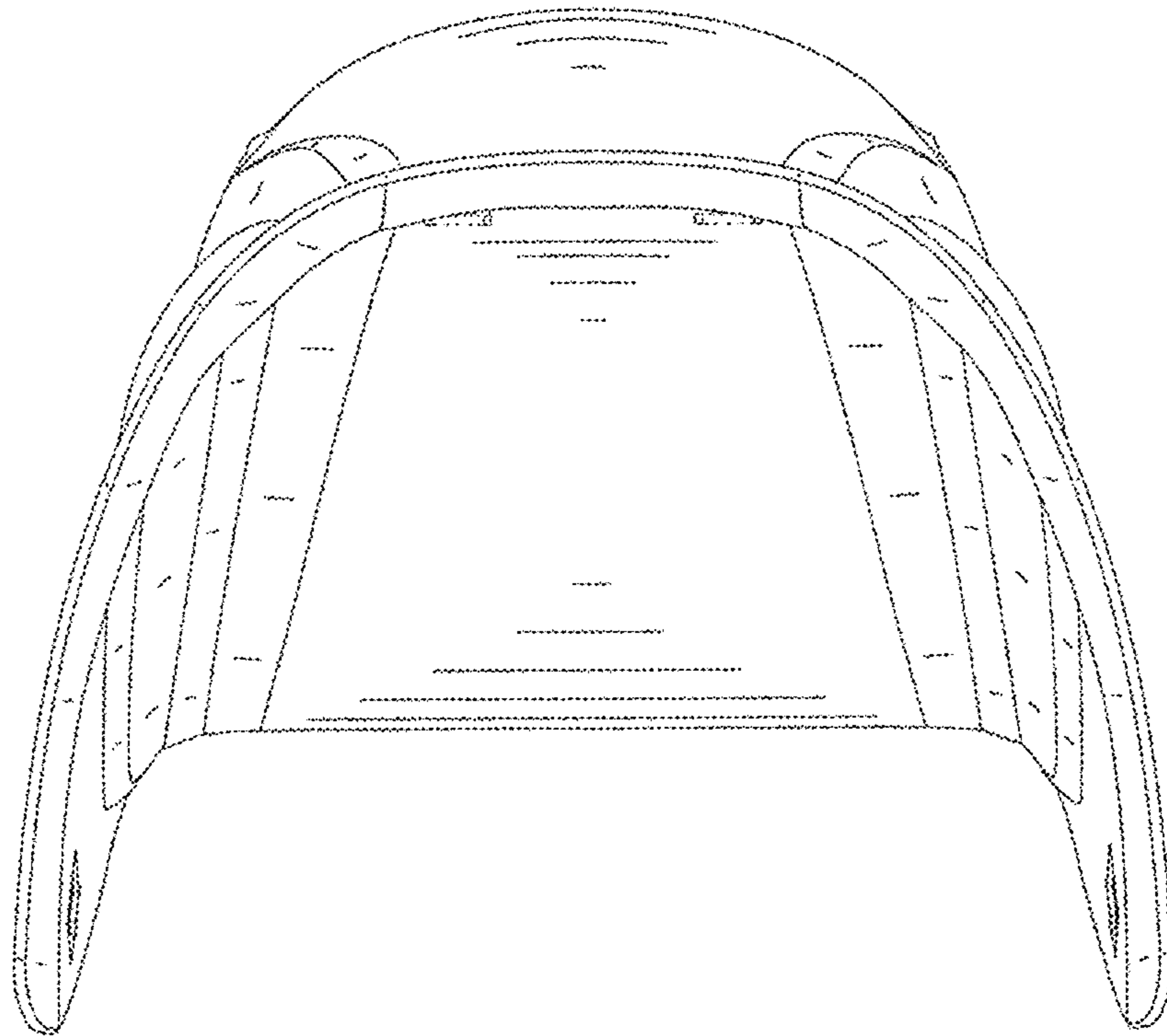


FIG. 16

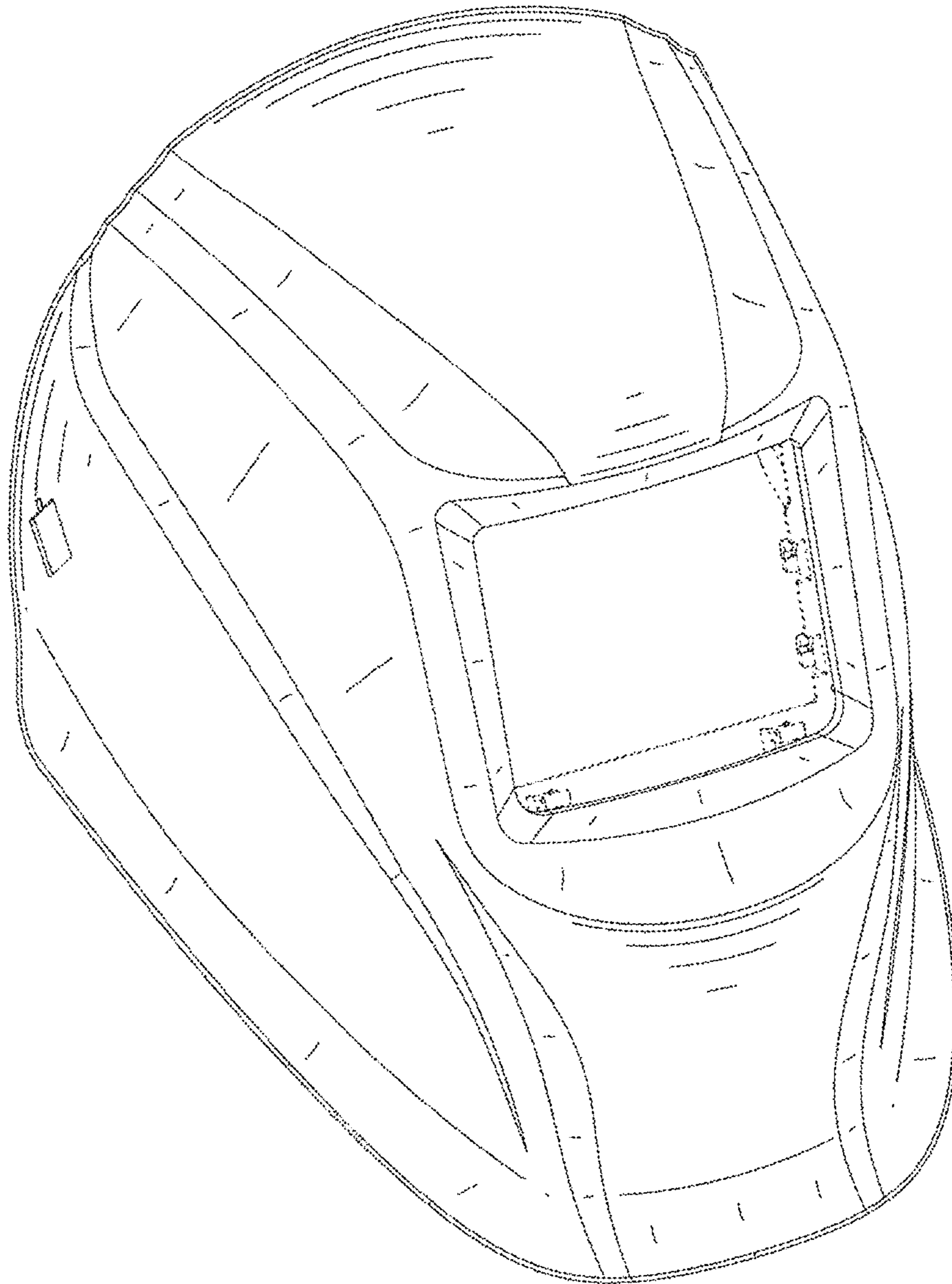


FIG.17

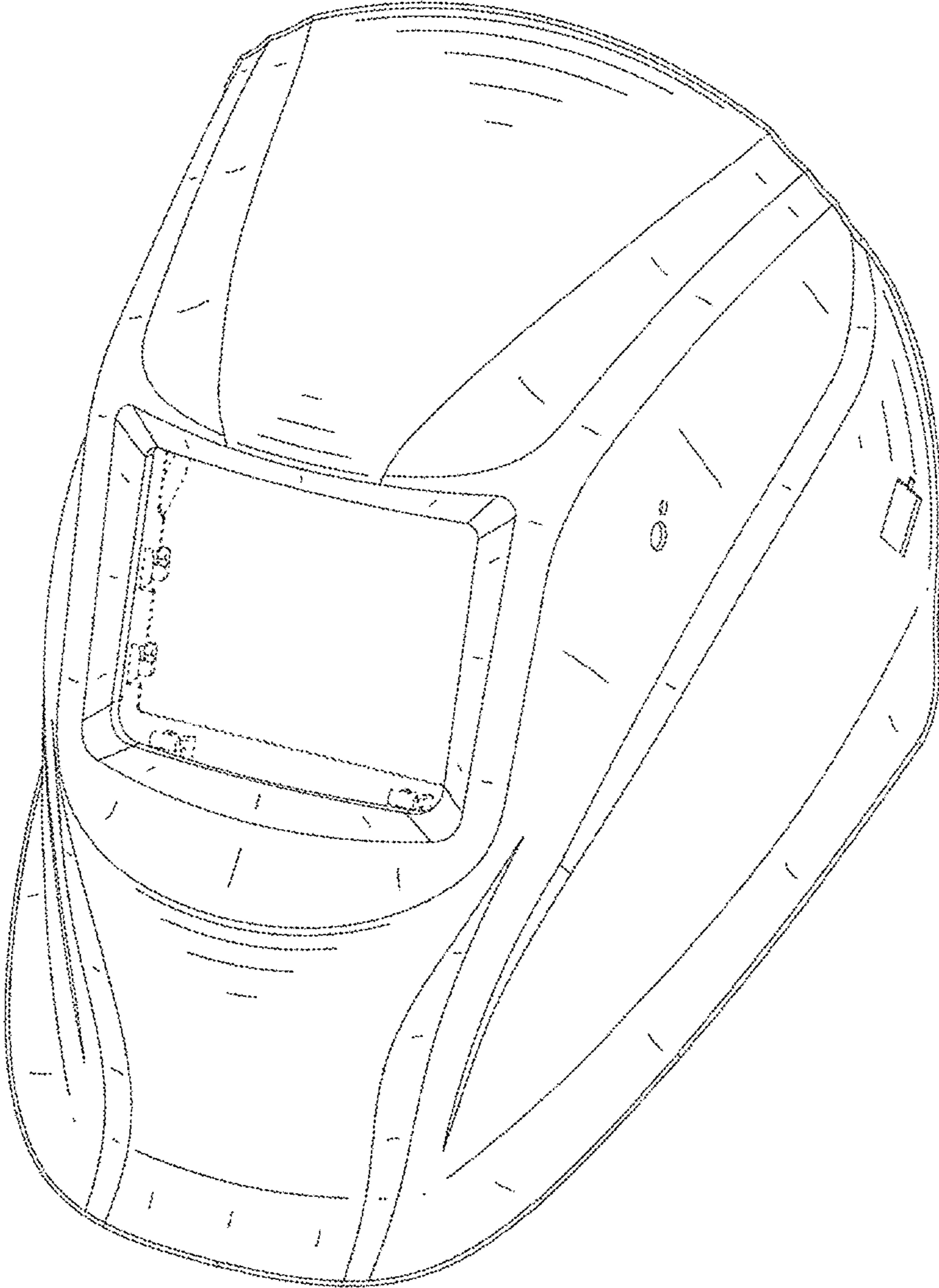


FIG.18

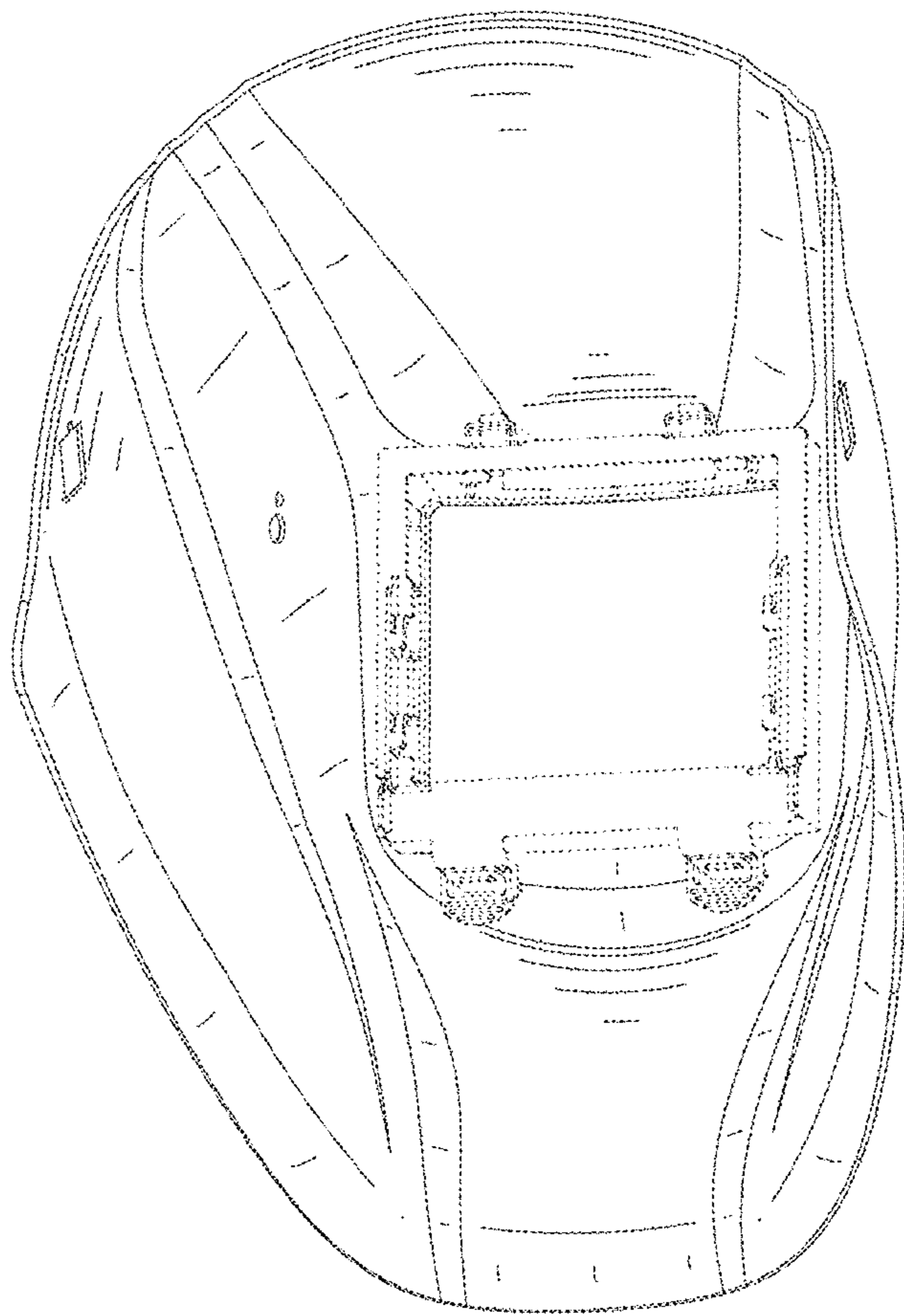


FIG.19