



US00D788985S

(12) **United States Design Patent**
Hansen

(10) **Patent No.:** **US D788,985 S**
(45) **Date of Patent:** **** Jun. 6, 2017**

(54) **FALSE EYELASH SUPPORT**
(71) Applicant: **Hal J Hansen**, Toms River, NJ (US)
(72) Inventor: **Hal J Hansen**, Toms River, NJ (US)
(**) Term: **14 Years**

3,461,886 A 8/1969 Bau
D215,985 S 11/1969 Silson
3,478,754 A * 11/1969 Martin, Jr. A41G 5/02
132/216

(Continued)

(21) Appl. No.: **29/522,565**
(22) Filed: **Mar. 31, 2015**
(51) **LOC (10) Cl.** **28-03**
(52) **U.S. Cl.**
USPC **D28/93**
(58) **Field of Classification Search**
USPC D28/7, 8, 92, 93, 99; 132/108, 202, 208,
132/317.32
CPC .. A45D 34/002; A45D 34/005; A45D 34/007;
A45D 34/04; A45D 34/041; A45D
34/042; A45D 34/043; A45D 34/045;
A45D 34/046; A45D 34/047; A45D
34/048; A45D 34/06
See application file for complete search history.

FOREIGN PATENT DOCUMENTS

GB 1021063 2/1966
GB 1307107 2/1973

(Continued)

OTHER PUBLICATIONS

aliexpress.com, "False Eyelash Applicator Mascara EyeLash Eye Lash Fake Clip Tool", <http://www.aliexpress.com/item/Hot-Sell-5pcs-lot-False-Eyelash-Applicator-Mascara-EyeLash-Eye-Lash-Fake-Clip-Tool-Free-Shipping/1360080576.html>, accessed Jan. 2, 2014, 9 pages.

(Continued)

Primary Examiner — Zenia Bennett
(74) *Attorney, Agent, or Firm* — Franklin & Associates International Inc; Matthew Lambrinos

(56) **References Cited**

U.S. PATENT DOCUMENTS

D83,872 S 4/1931 McDonell
1,939,013 A 4/1933 Lewis
1,960,687 A 5/1934 Wills
1,666,116 A 4/1938 Bunnell
D119,329 S 3/1940 Leyne
D129,526 S 9/1941 Hanisch
D133,455 S 11/1941 Tuttle
2,268,082 A 12/1941 Phillips, Sr.
2,323,595 A 7/1943 Hanisch
D143,945 S 2/1946 Wolff
D155,157 S 9/1949 Hickey
2,760,264 A 8/1956 Javits
3,016,059 A 1/1962 Hutton
3,333,593 A 8/1967 McGivern
3,339,561 A 9/1967 Brickner
D210,180 S 2/1968 Solomon
D213,239 S 1/1969 Flewellin

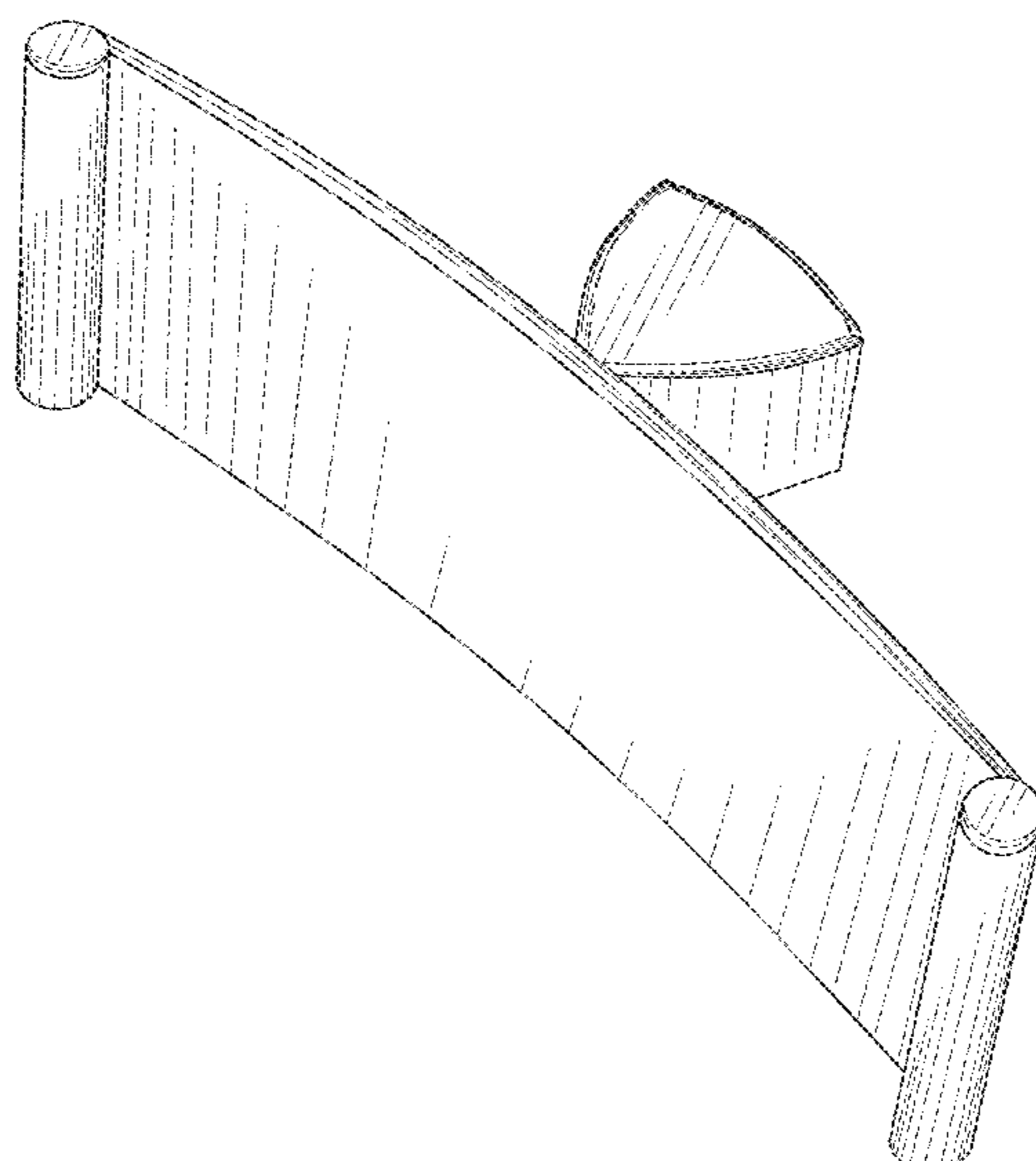
(57) **CLAIM**

The ornamental design for a false eyelash support, as shown.

DESCRIPTION

FIG. 1 is a front perspective from above of a false eyelash support showing my new design;
FIG. 2 is a front view of the false eyelash support;
FIG. 3 is a right side view of the false eyelash support;
FIG. 4 is a left side view of the false eyelash support;
FIG. 5 is a rear view of the false eyelash support;
FIG. 6 is a top view of the false eyelash support;
FIG. 7 is a bottom view of the false eyelash support; and,
FIG. 8 is a rear perspective view from below of the false eyelash support.

1 Claim, 4 Drawing Sheets



(56)

References Cited

FOREIGN PATENT DOCUMENTS

U.S. PATENT DOCUMENTS

3,511,248 A 5/1970 Panda
 3,516,423 A 6/1970 Seidler
 D218,870 S 9/1970 Aylott
 3,547,135 A 12/1970 Roos
 3,556,113 A 1/1971 Frieder
 D219,854 S 2/1971 Howard
 3,561,454 A 2/1971 O'Connell
 3,590,828 A 7/1971 Prewitt
 D222,518 S 10/1971 Brittain
 3,625,229 A 12/1971 Silson
 3,654,939 A * 4/1972 Davidson A45D 40/26
 132/216
 3,670,742 A 6/1972 Weaner
 3,722,519 A 3/1973 Epstein
 D328,504 S 8/1992 Davies
 5,927,295 A * 7/1999 Quinones A45D 2/48
 132/143
 D430,955 S 9/2000 Ishida
 D437,086 S 1/2001 Dickert
 D449,408 S 10/2001 McMillan
 D455,521 S 4/2002 Park
 D503,494 S 3/2005 Yamashita
 D559,449 S 1/2008 Lin
 D573,307 S 7/2008 Cho
 D576,352 S 9/2008 Brestoni
 D581,096 S 11/2008 Zhang
 D587,899 S 3/2009 Oksanen
 D600,857 S 9/2009 Maddy
 D609,403 S 2/2010 Cho
 D611,657 S 3/2010 Maddy
 D629,201 S 12/2010 Demarco
 D630,794 S 1/2011 Cohen Harel
 8,015,980 B2 * 9/2011 Rabe A41G 5/02
 132/201
 8,196,591 B2 6/2012 Lee et al.
 D674,182 S 1/2013 Copeland
 D677,004 S * 2/2013 Cole D28/92
 8,424,542 B1 4/2013 Han
 D721,856 S 1/2015 Villarreal
 9,215,901 B1 12/2015 Schroeder
 D757,359 S 5/2016 Van Keppel
 2002/0189628 A1 12/2002 Iosilevich
 2005/0166939 A1 8/2005 Stroud
 2009/0223534 A1 9/2009 Green
 2012/0136748 A1 5/2012 Shasteen
 2013/0042884 A1 2/2013 Wilkinson
 2013/0160783 A1 6/2013 Ahn et al.
 2015/0201692 A1 7/2015 Hansen

JP 2011005013 1/2011
 JP 2012072510 4/2012
 WO 2015109266 A1 7/2015

OTHER PUBLICATIONS

beautyjunkiesunite.com, "Make Applying False Lashes Easy with the Ardell Pro Lash Applicator", <http://www.beautyjunkiesunite.com/WP/2013/11/11/make-applying-false-lashes-easy-with-the-ardell-pro-lash-applicator/>, Nov. 11, 2013, 7 pages.
 sephora.com, "Bulls Eye Lash Applicator", <http://www.sephora.com/bulls-eye-lash-applicator-P374552>, accessed Jan. 2, 2014, 4 pages.
 "Mini Portable cosmetic Eyelash Curl Curling Clamp", www.paywithless.com/makeup/4166-1-pcs-mini-portable-cosmetic-eyelash-curl-curling-clamp-for-woman-color-random.html, accessed Jan. 3, 2014, 31 pages.
 International Search Report issued on May 11, 2015 for PCT Application PCT/US2015/011873.
 U.S. Appl. No. 29/522,564, filed Mar. 31, 2015, entitled False Eyelash Applicator by Hal J Hansen, 25 pages.
 U.S. Appl. No. 29/522,573, filed Mar. 31, 2015, entitled Cosmetic Box by Hal J Hansen, 19 pages.
 U.S. Appl. No. 29/522,569, filed Mar. 31, 2015, entitled False Eyelash Support by Hal J Hansen, 14 pages.
 U.S. Appl. No. 29/522,575, filed Mar. 31, 2015, entitled False Eyelash Support Holder by Hal J Hansen, 15 pages.
 U.S. Appl. No. 29/522,579, filed Mar. 31, 2015, entitled False Eyelash Support Inverter by Hal J Hansen, 18 pages.
 U.S. Appl. No. 29/522,582, filed Mar. 31, 2015, entitled Cosmetic Box by Hal J Hansen, 26 pages.
 U.S. Appl. No. 29/571,700, filed Jul. 20, 2016, entitled False Eyelash Support by Hal Hansen, 17 pages.
 Restriction Requirement issued on Jun. 16, 2016 for Design U.S. Appl. No. 29/522,564.
 Restriction Requirement issued on Jun. 16, 2016 for Design U.S. Appl. No. 29/522,579.
 U.S. Appl. No. 15/215,571, filed Jul. 20, 2016, entitled False Eyelash Support by Hal Hansen, 97 pages.
 Restriction Requirement in Design U.S. Appl. No. 14/599,496 dated May 31, 2016.
 Restriction Requirement in Design U.S. Appl. No. 29/522,582 dated Jun. 22, 2016.

* cited by examiner

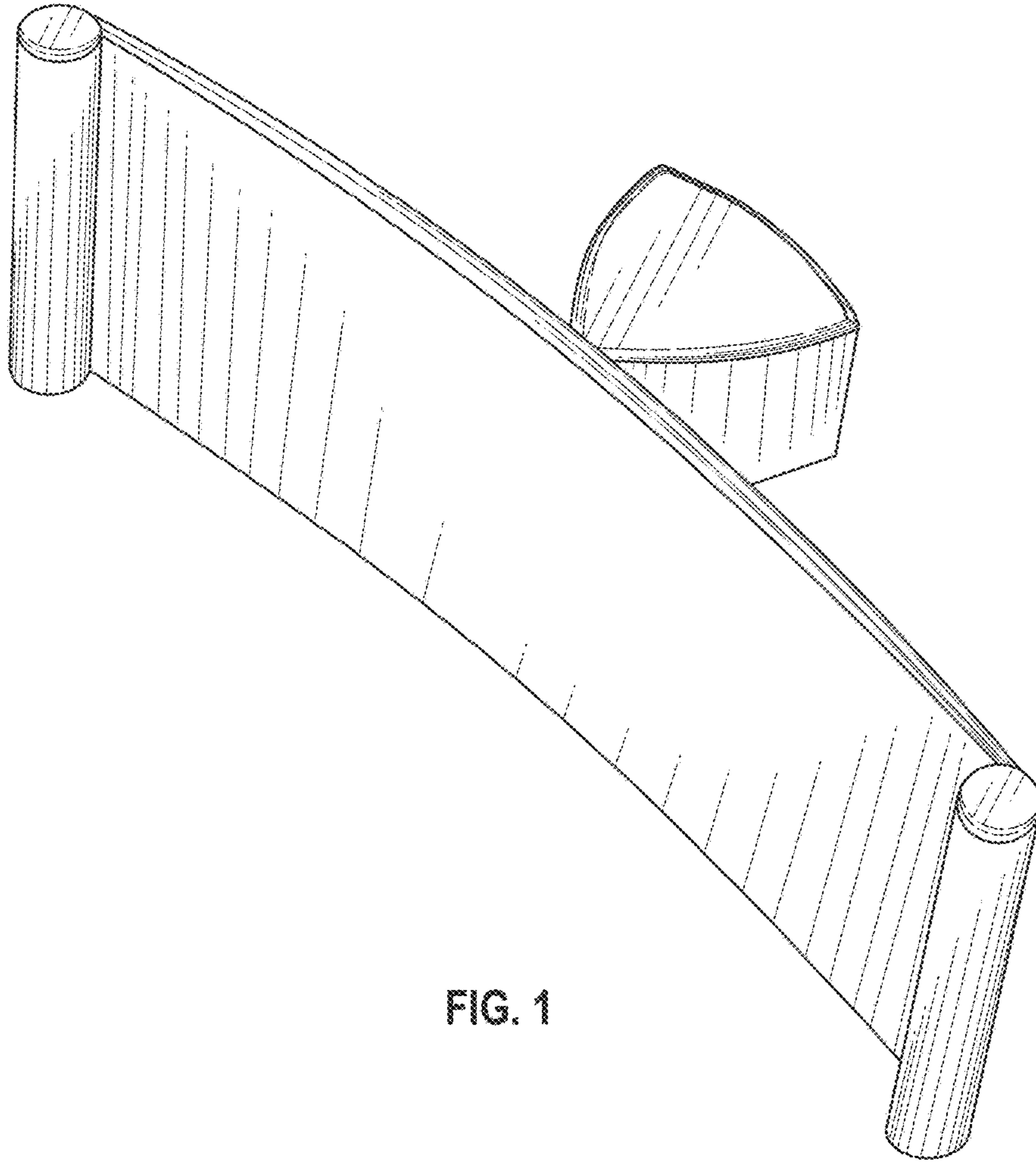


FIG. 1

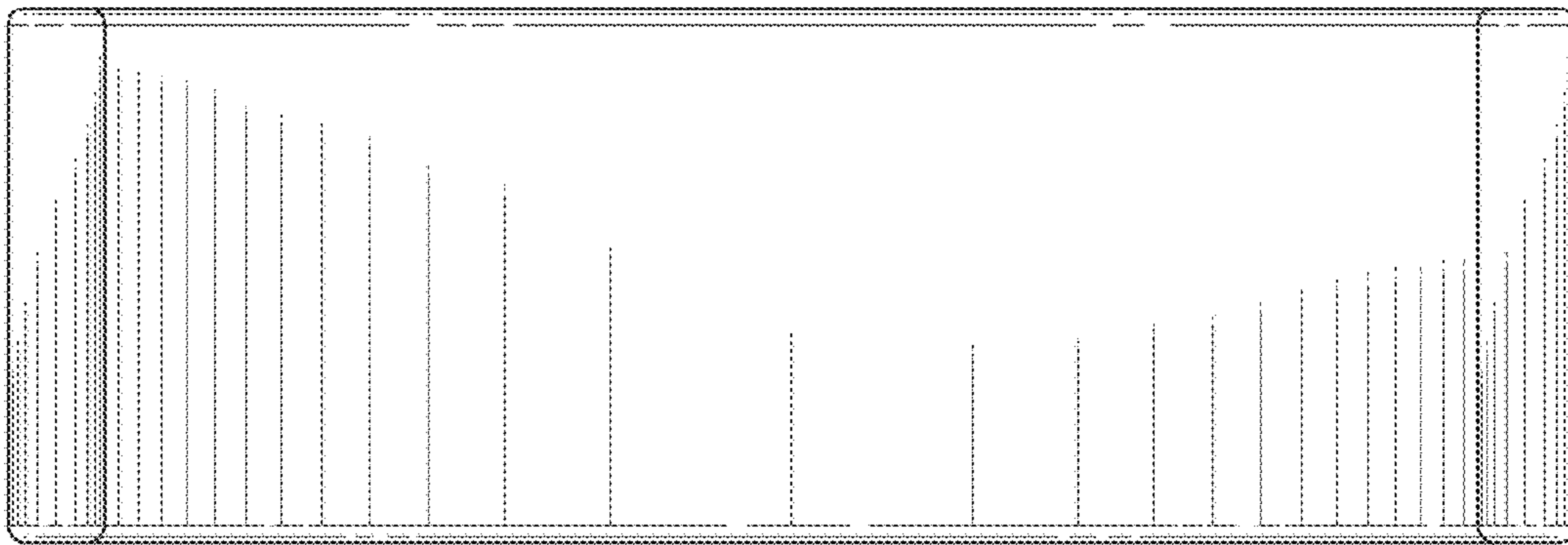


FIG. 2

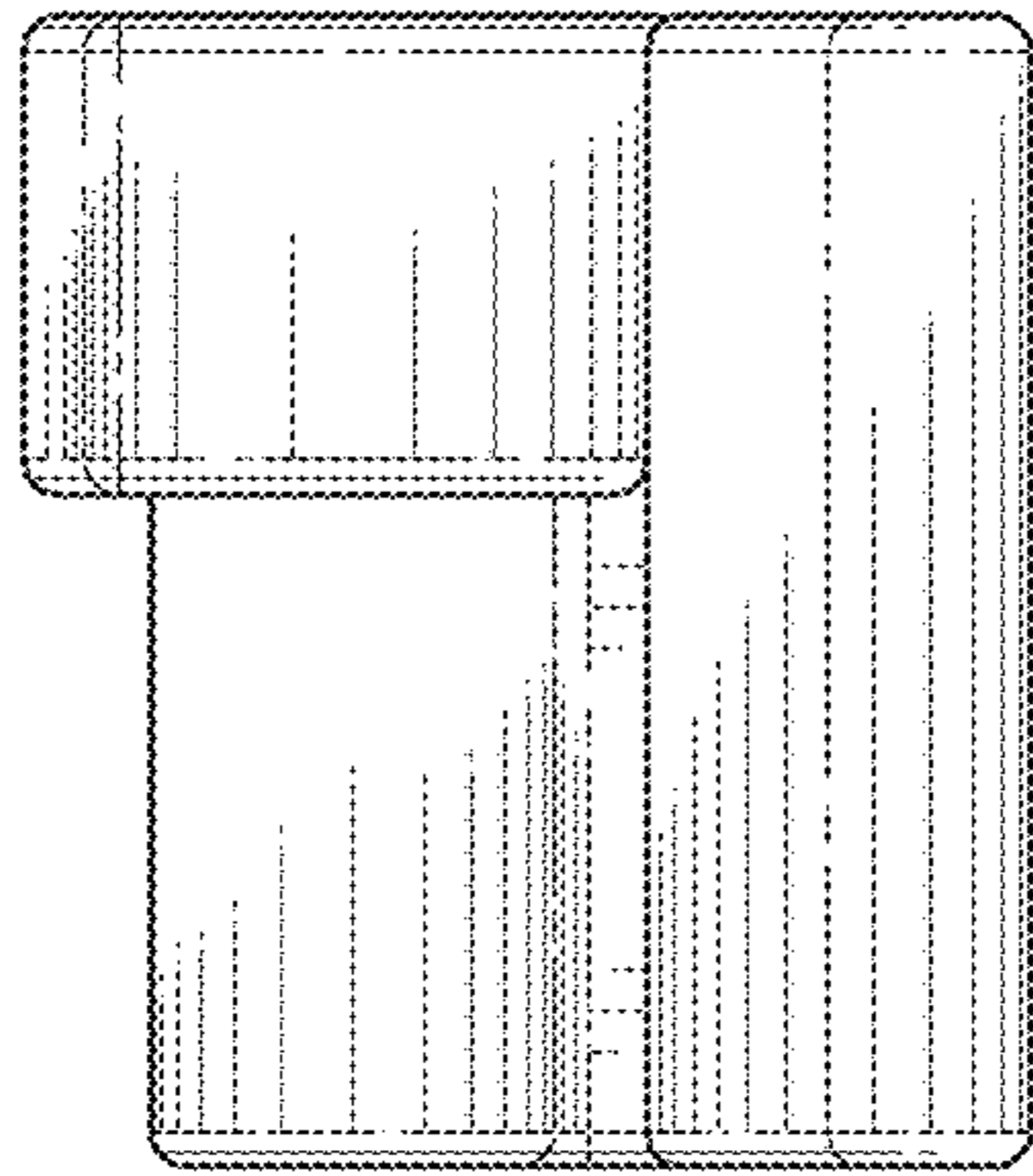


FIG. 3

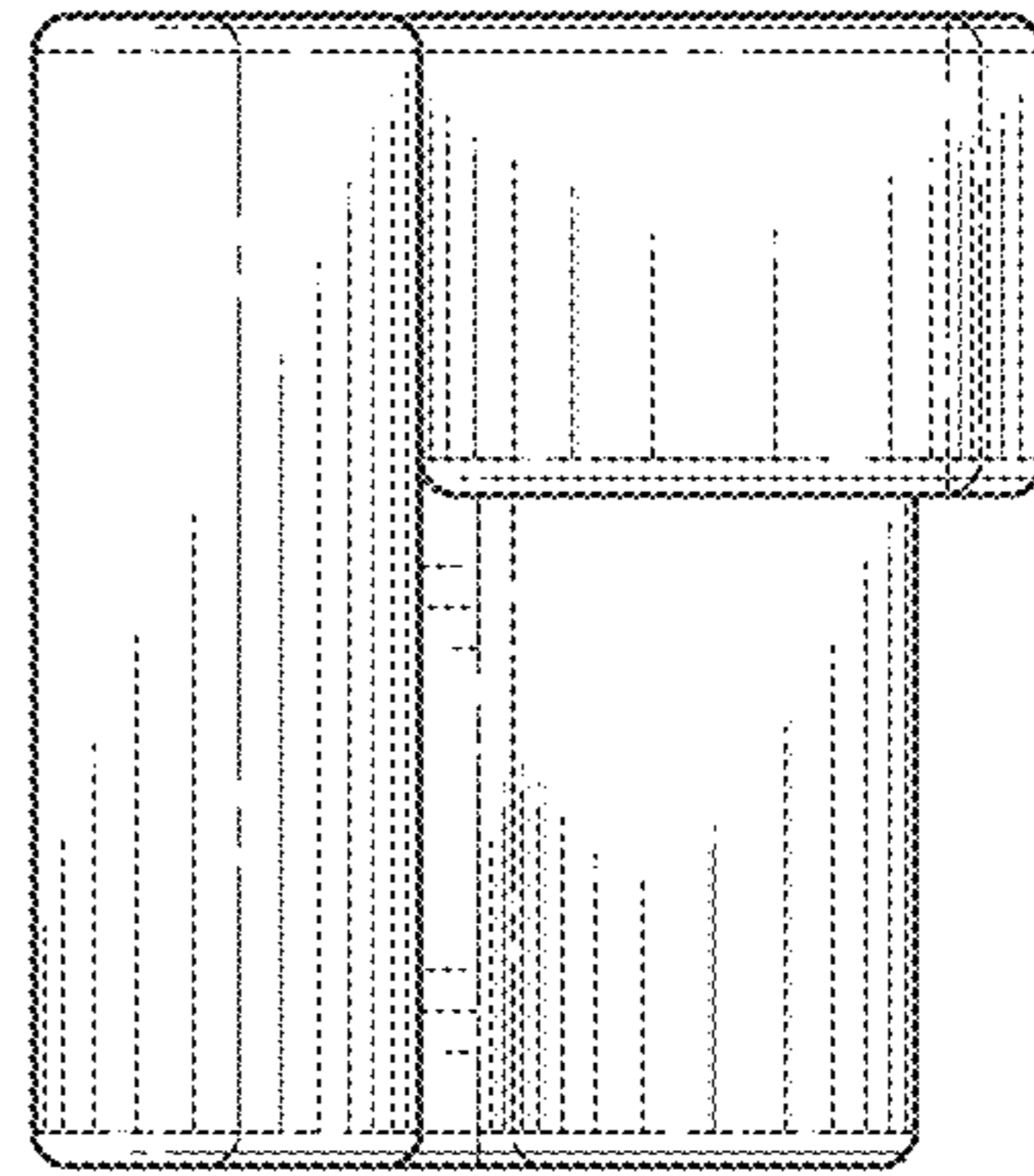


FIG. 4

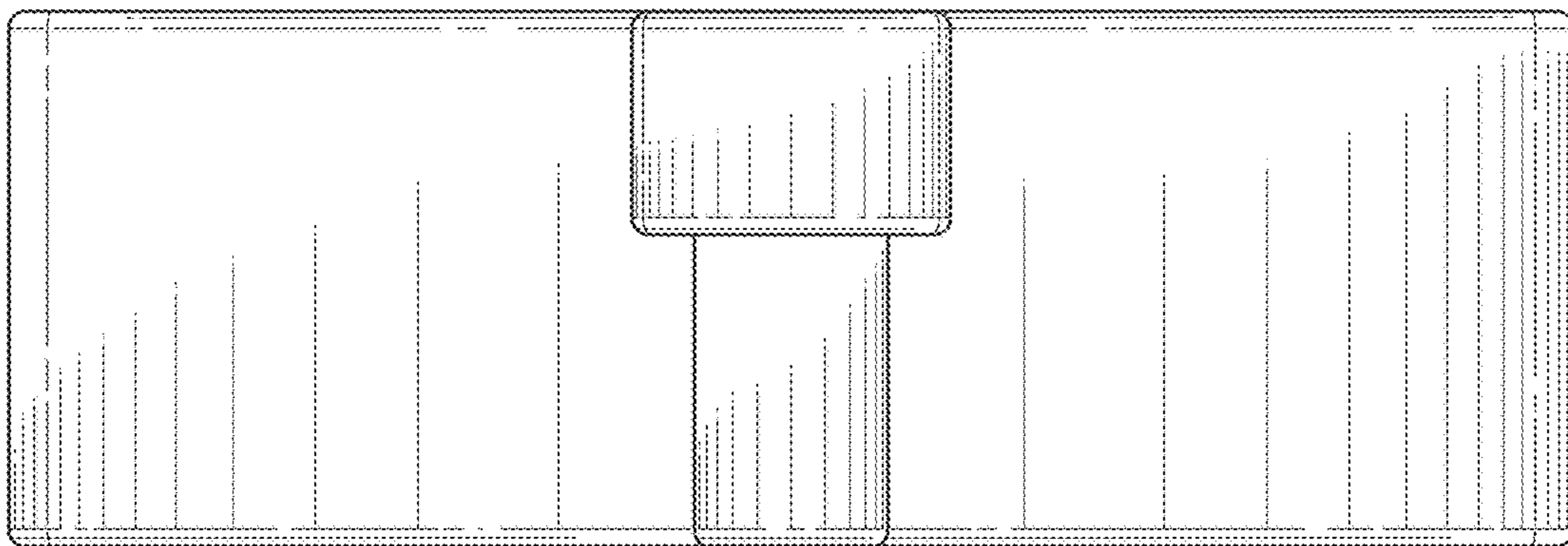


FIG. 5

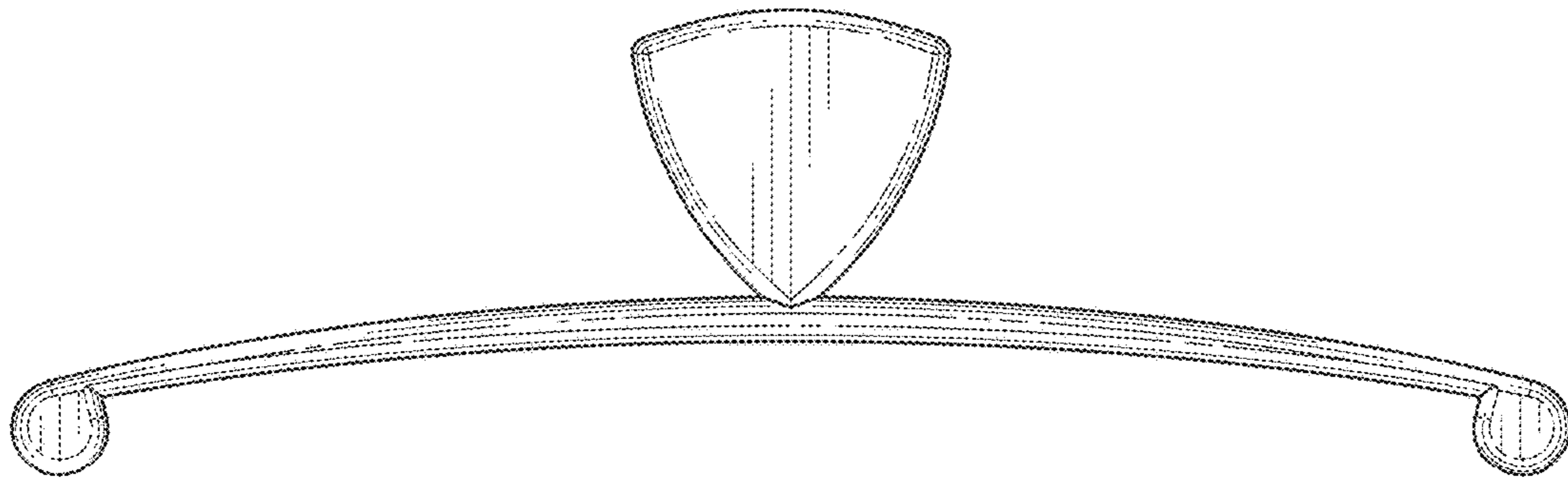


FIG. 6

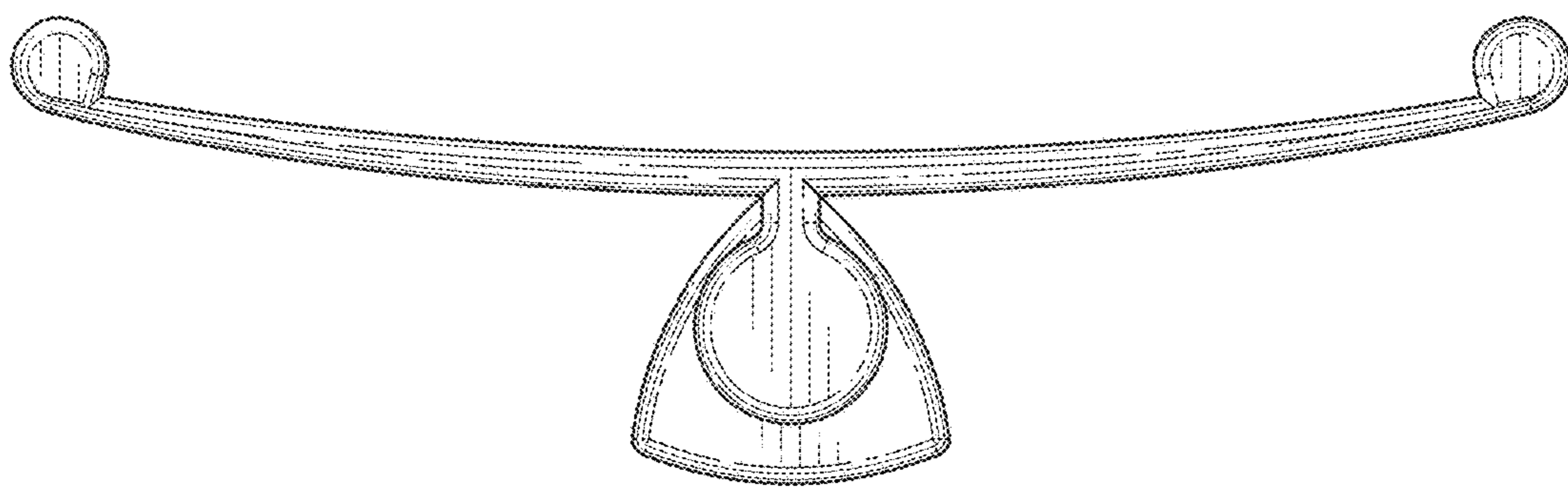


FIG. 7

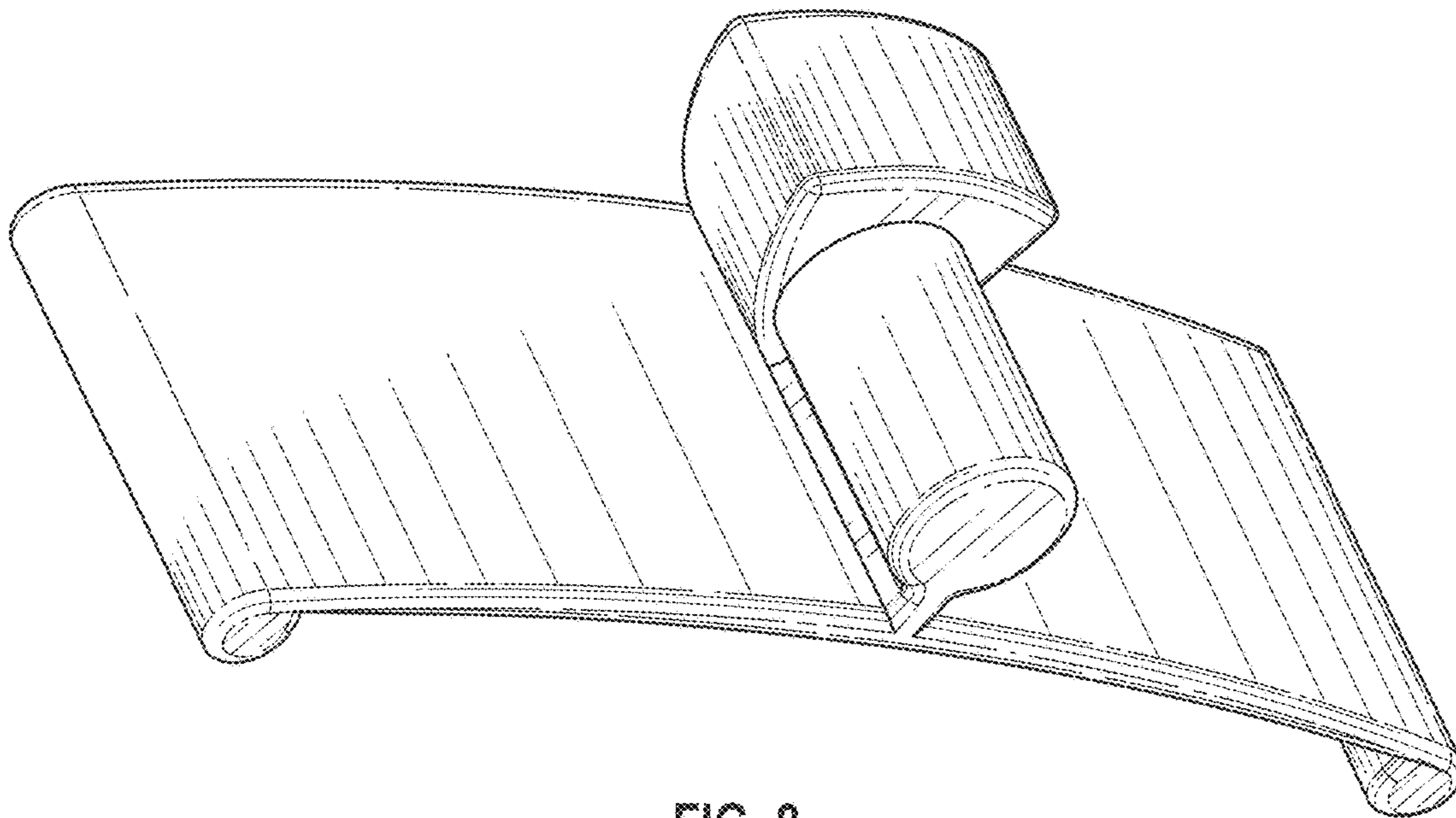


FIG. 8