



US00D788979S

(12) **United States Design Patent**
Donnellan

(10) **Patent No.:** **US D788,979 S**
(45) **Date of Patent:** **** Jun. 6, 2017**

- (54) **ANGLED HAIR STRAIGHTENER**
- (71) Applicant: **Jennifer Donnellan**, San Anselmo, CA (US)
- (72) Inventor: **Jennifer Donnellan**, San Anselmo, CA (US)
- (**) Term: **15 Years**
- (21) Appl. No.: **29/532,817**
- (22) Filed: **Jul. 10, 2015**
- (51) **LOC (10) Cl.** **28-03**
- (52) **U.S. Cl.**
USPC **D28/35**
- (58) **Field of Classification Search**
USPC D28/35, 10
CPC ... A45D 1/00-1/28; A45D 2/00; A45D 2/001;
A45D 2/002; A45D 2/02; A45D 2/04;
A45D 2/06; A45D 2/08; A45D 2/10;
A45D 2/12-2/22; A45D 2/24-2/34; A45D
2/36-2/367
See application file for complete search history.

(56) **References Cited**

U.S. PATENT DOCUMENTS

- 5,119,847 A * 6/1992 Powell A45D 2/00
132/210
- 5,348,030 A * 9/1994 Hirzel A46B 7/026
132/118
- 7,178,532 B2 2/2007 Kayser et al.

- D727,568 S * 4/2015 Francois D28/10
- D736,998 S * 8/2015 Koehler D28/35
- 2006/0037625 A1 2/2006 Kayser et al.
- 2007/0174984 A1 * 8/2007 Diamond A45D 20/525
15/106
- 2010/0089413 A1 * 4/2010 Wright A45D 2/001
132/211
- 2013/0233336 A1 * 9/2013 Lazzaro A45D 2/08
132/229
- 2014/0216493 A1 * 8/2014 Hadden A45D 20/50
132/223

* cited by examiner

Primary Examiner — Jennifer Rivard

(74) *Attorney, Agent, or Firm* — Thomas W. Cook

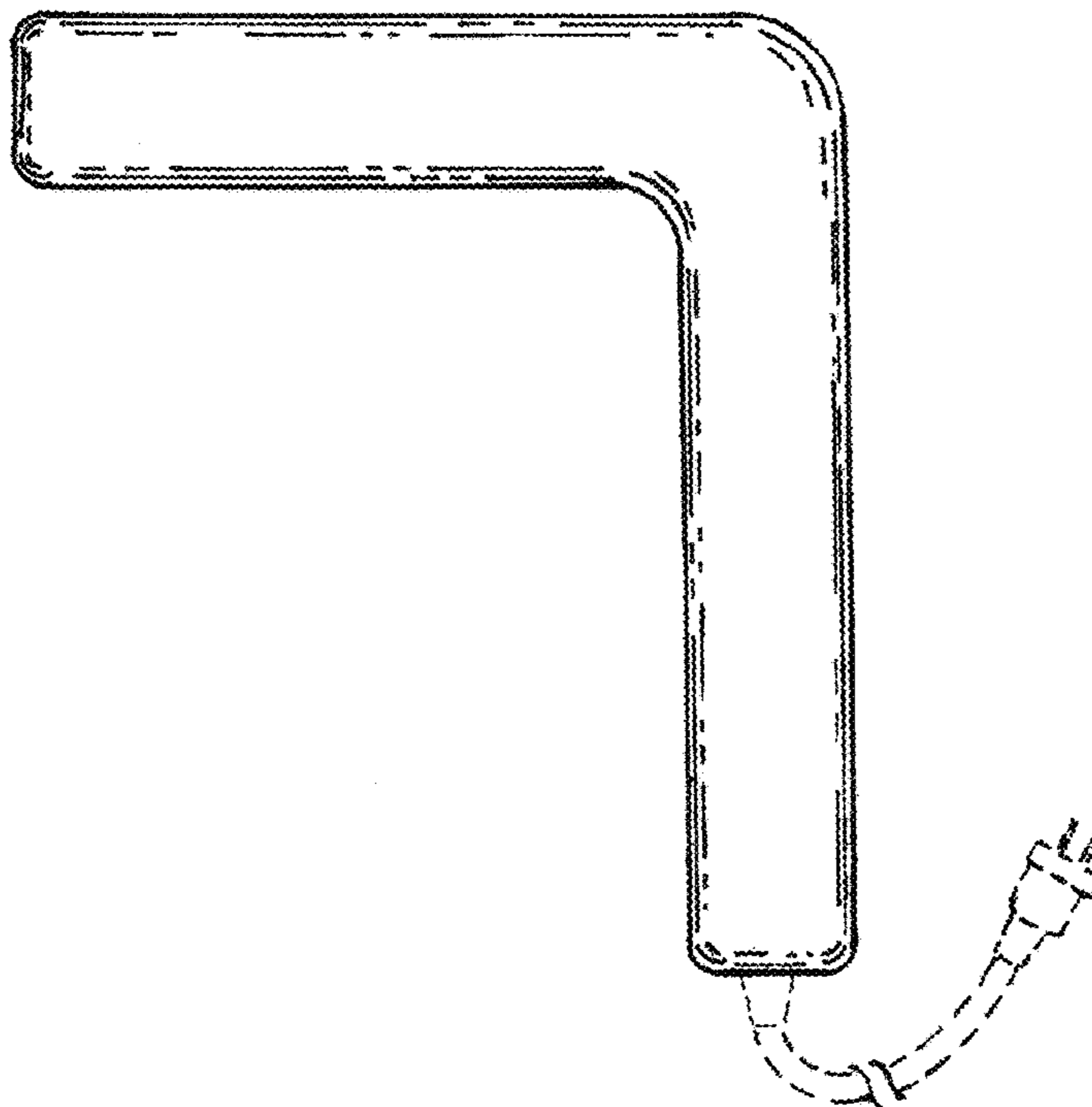
(57) **CLAIM**

I claim the ornamental design for the angled hair straightener, as shown and described.

DESCRIPTION

FIG. 1 is a left side elevation view of an angled hair straightener, showing my new design;
 FIG. 2 is a right side elevation view thereof;
 FIG. 3 is a bottom plan view with the angled hair straightener shown in an open configuration;
 FIG. 4 is a front elevation with the angled hair straightener shown in a closed configuration;
 FIG. 5 is a front elevation view of FIG. 3; and,
 FIG. 6 is a rear elevation view of FIG. 3.
 The broken line disclosure of the electrical cord illustrates the environment and forms no part of the claimed design.

1 Claim, 3 Drawing Sheets



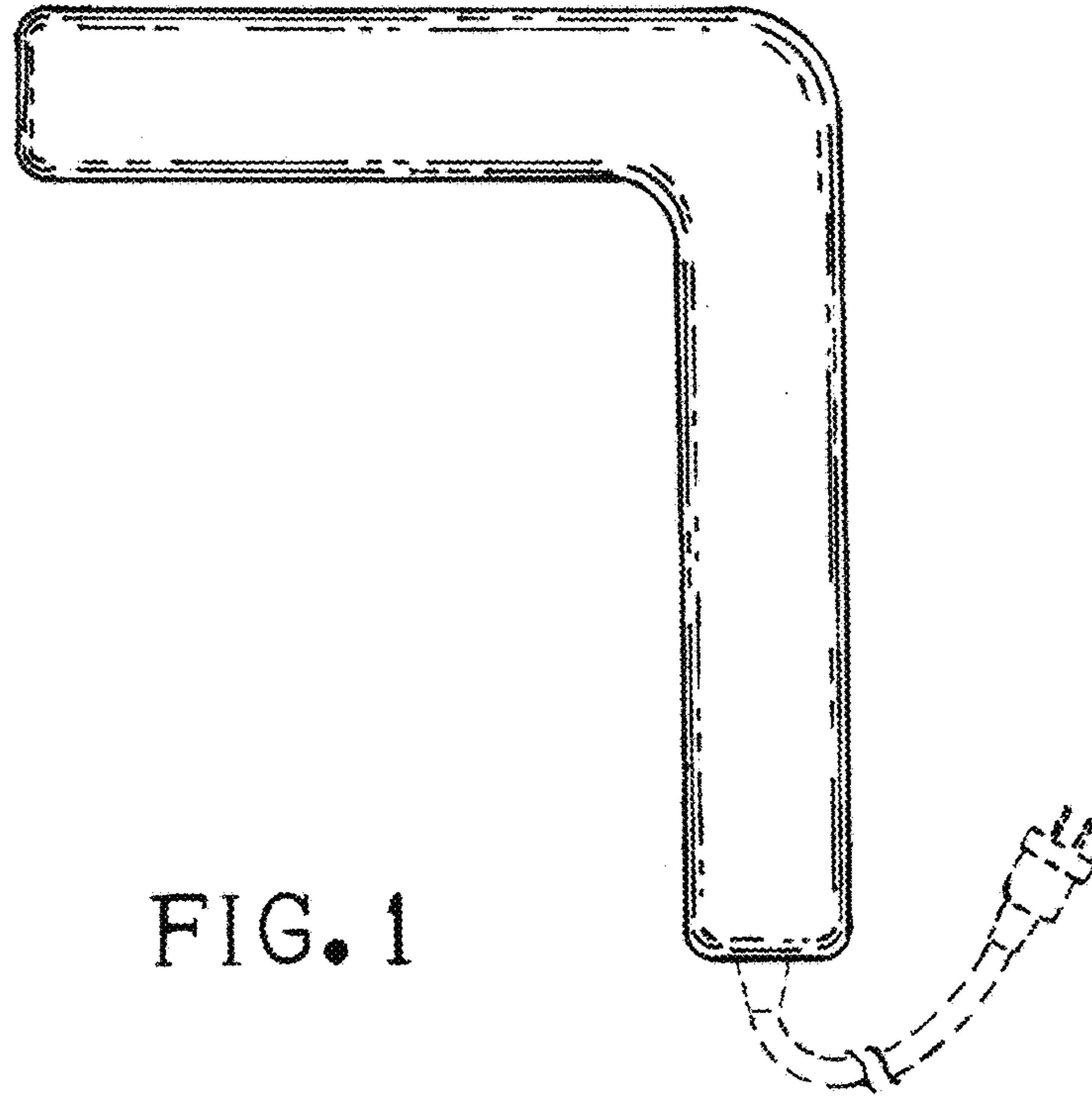


FIG. 1

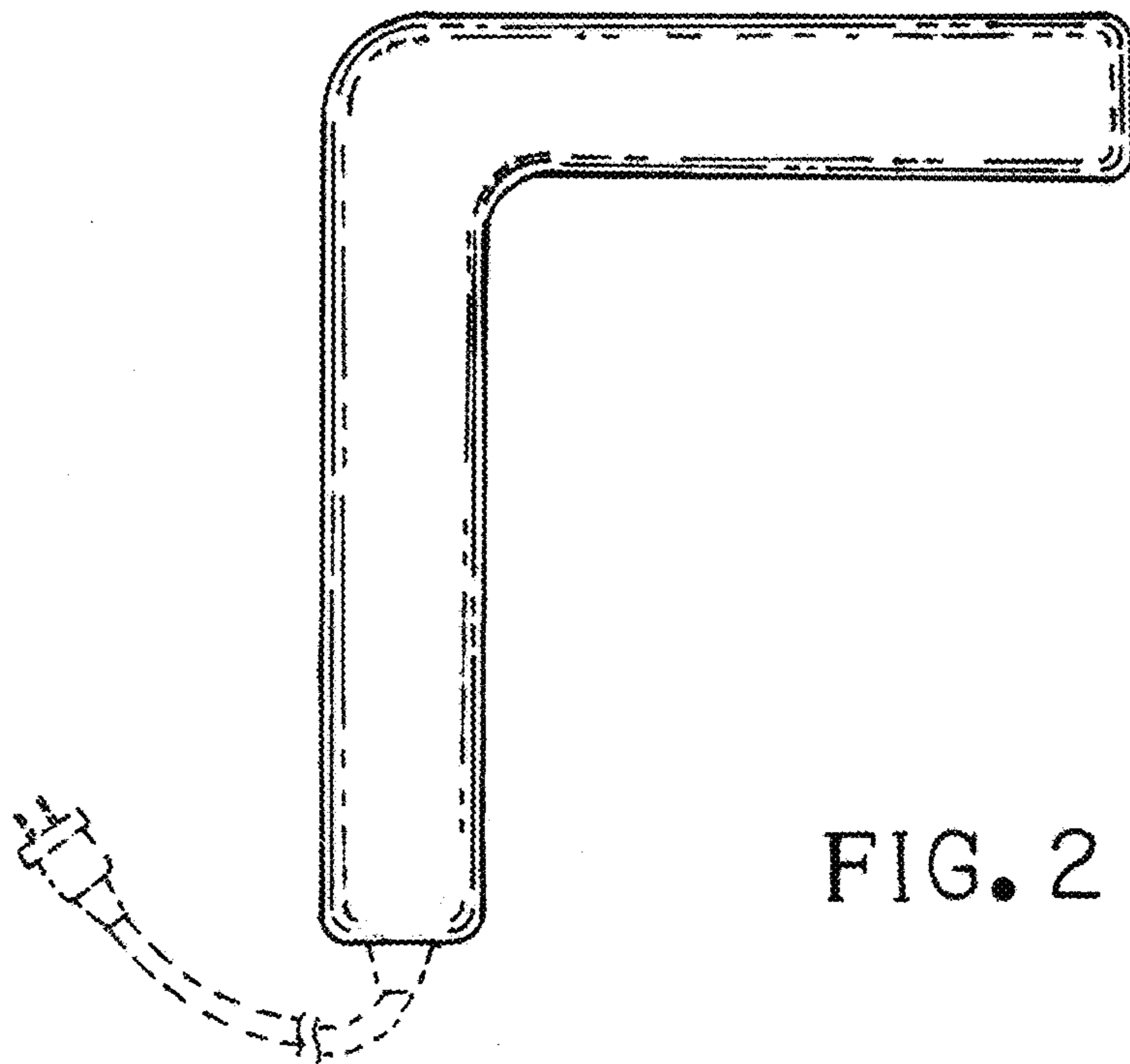


FIG. 2

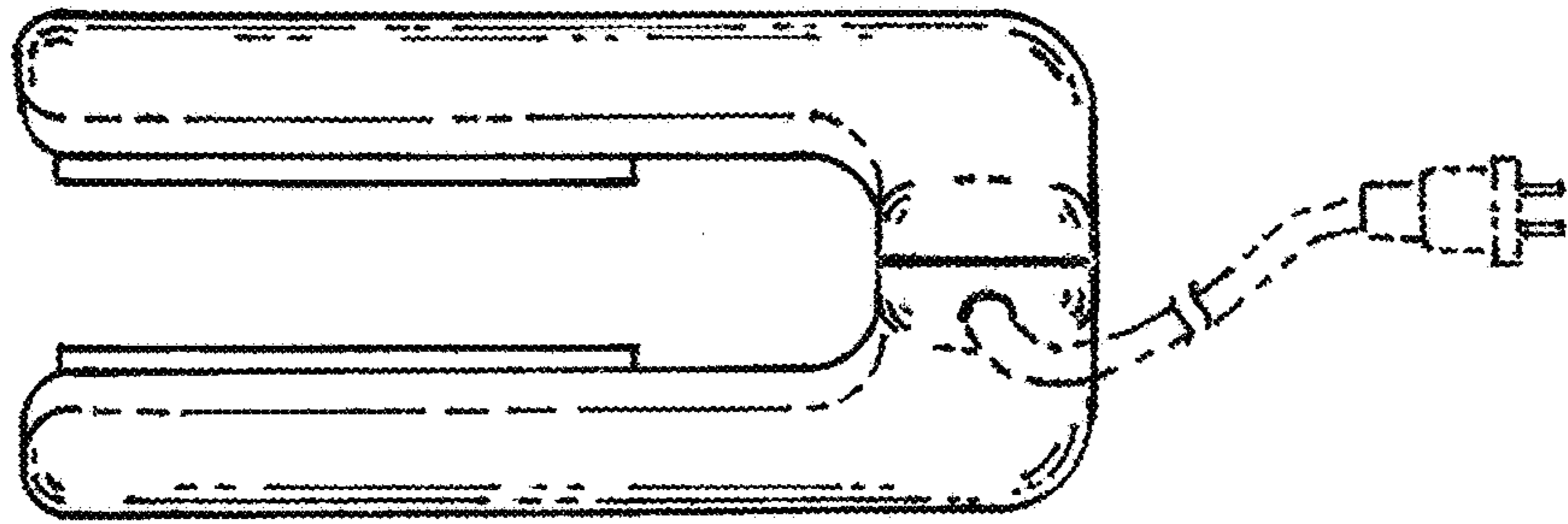


FIG. 3

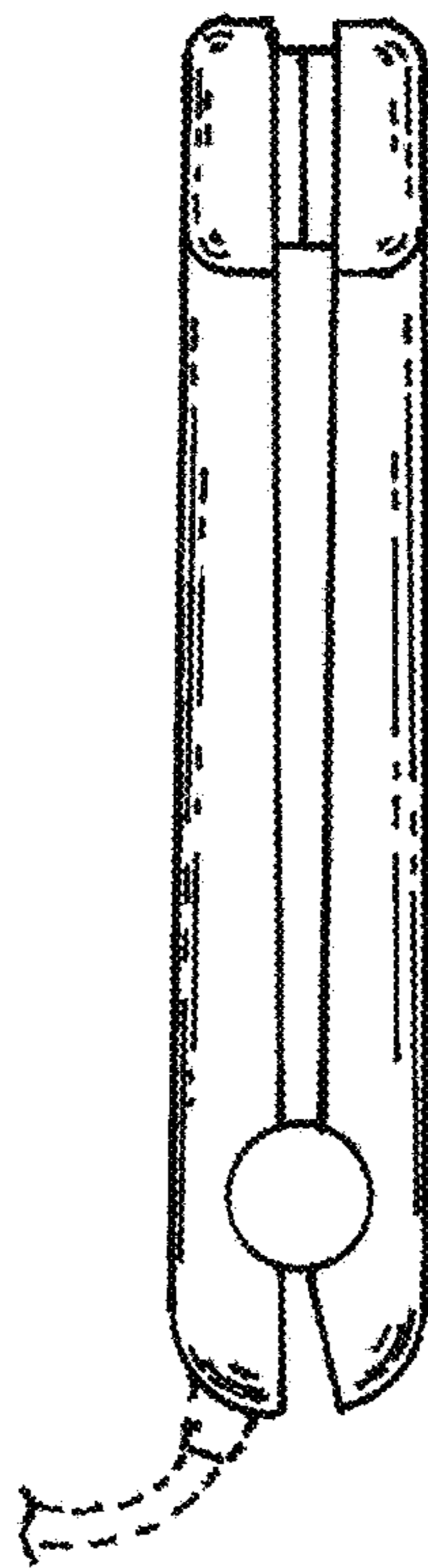


FIG. 4

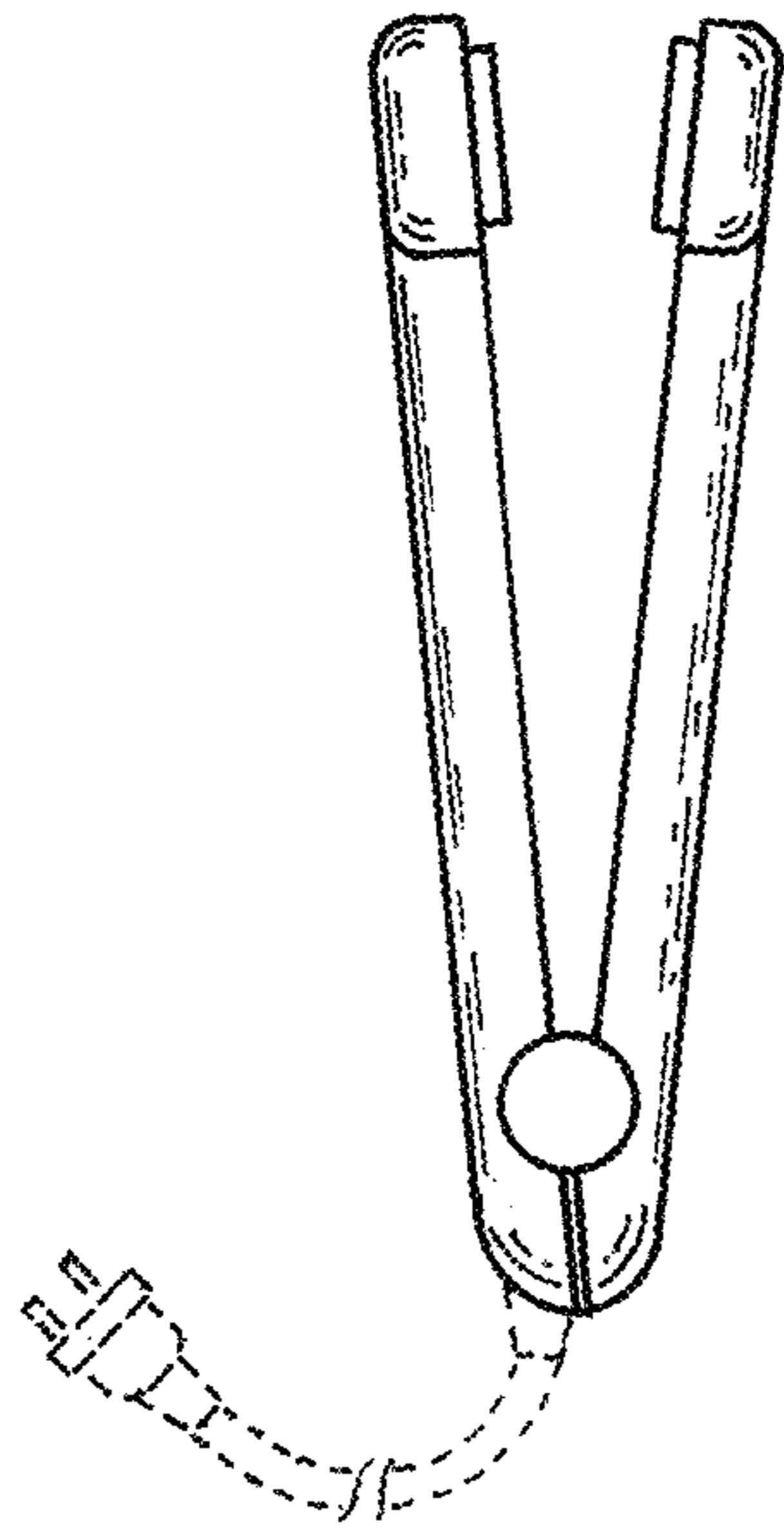


FIG. 5

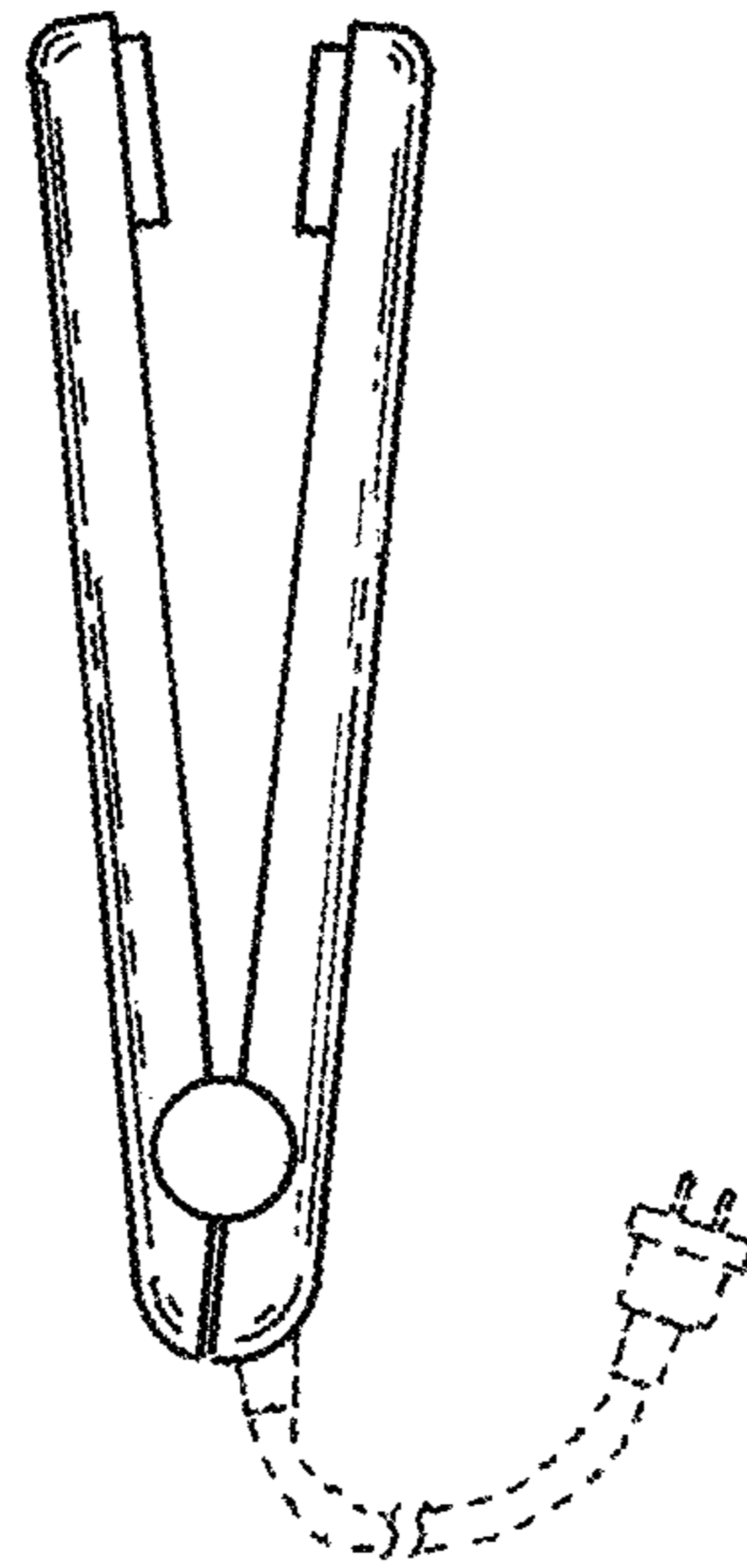


FIG. 6