



US00D788977S

(12) **United States Design Patent** (10) **Patent No.:** **US D788,977 S**  
**Silva** (45) **Date of Patent:** **\*\* Jun. 6, 2017**

(54) **MAKEUP TOOL**

(71) Applicant: **Rea.deeming Beauty, Inc.**, Bethlehem, PA (US)

(72) Inventor: **Rea Ann Silva**, Bethlehem, PA (US)

(73) Assignee: **REA.DEEMING BEAUTY, INC.**, Bethlehem, PA (US)

(\*\*) Term: **15 Years**

(21) Appl. No.: **29/552,719**

(22) Filed: **Jan. 25, 2016**

(51) **LOC (10) Cl.** ..... **28-03**

(52) **U.S. Cl.**  
USPC ..... **D28/7; D17/20**

(58) **Field of Classification Search**

USPC ..... D28/4, 7, 8, 9, 10, 63, 79-91; D24/119, D24/124, 188, 189; D17/20, 99; D32/40, 41, 46, 47  
CPC ..... A45D 34/04-34/045; A45D 37/00; A45D 2200/1009; A45D 2200/1018; A45D 2200/1027; A45D 2/48; A45D 27/44; A45D 2200/10; A45D 2200/1036; A45D 2200/1054; A45D 2200/1063; A45D 2200/1072; A45D 40/00; A45D 2040/0006-2040/0062; A45D 40/02; A45D 40/20; A45D 2040/201; A45D 33/00; A45D 2033/001; A45D 33/006; A45D 33/04; A45D 33/06; A45D 33/08; A45D 33/10; A45D 33/12; A45D 33/14; A45D 33/16; A45D 33/18; A45D 33/20; A45D 33/22; A45D 33/24; A45D 33/26; A45D 33/28; A45D 33/34; A45D 33/36; A45D 40/22-40/222; A45D

(Continued)

(56) **References Cited**

**U.S. PATENT DOCUMENTS**

3,472,242 A \* 10/1969 Demner ..... A45D 40/00  
132/333  
D221,244 S \* 7/1971 Lawrence ..... 15/236.07

(Continued)

**FOREIGN PATENT DOCUMENTS**

JP D1556411 \* 8/2016

**OTHER PUBLICATIONS**

Beautyblender's Newest Product Will Help You Get Instagram-Worthy Cat Eyes, posted at Allure.com, posted Jan. 11, 2016, Alure.com, [online], [site visited Sep. 27, 2016]. Available from Internet, <URL: <http://www.allure.com/story/beautyblender-liner-designer-review>>.\*

*Primary Examiner* — Catherine Tuttle

*Assistant Examiner* — Mary Malley

(74) *Attorney, Agent, or Firm* — Brooks Acordia IP Law, P.C.; Pejman Yedidsion

(57) **CLAIM**

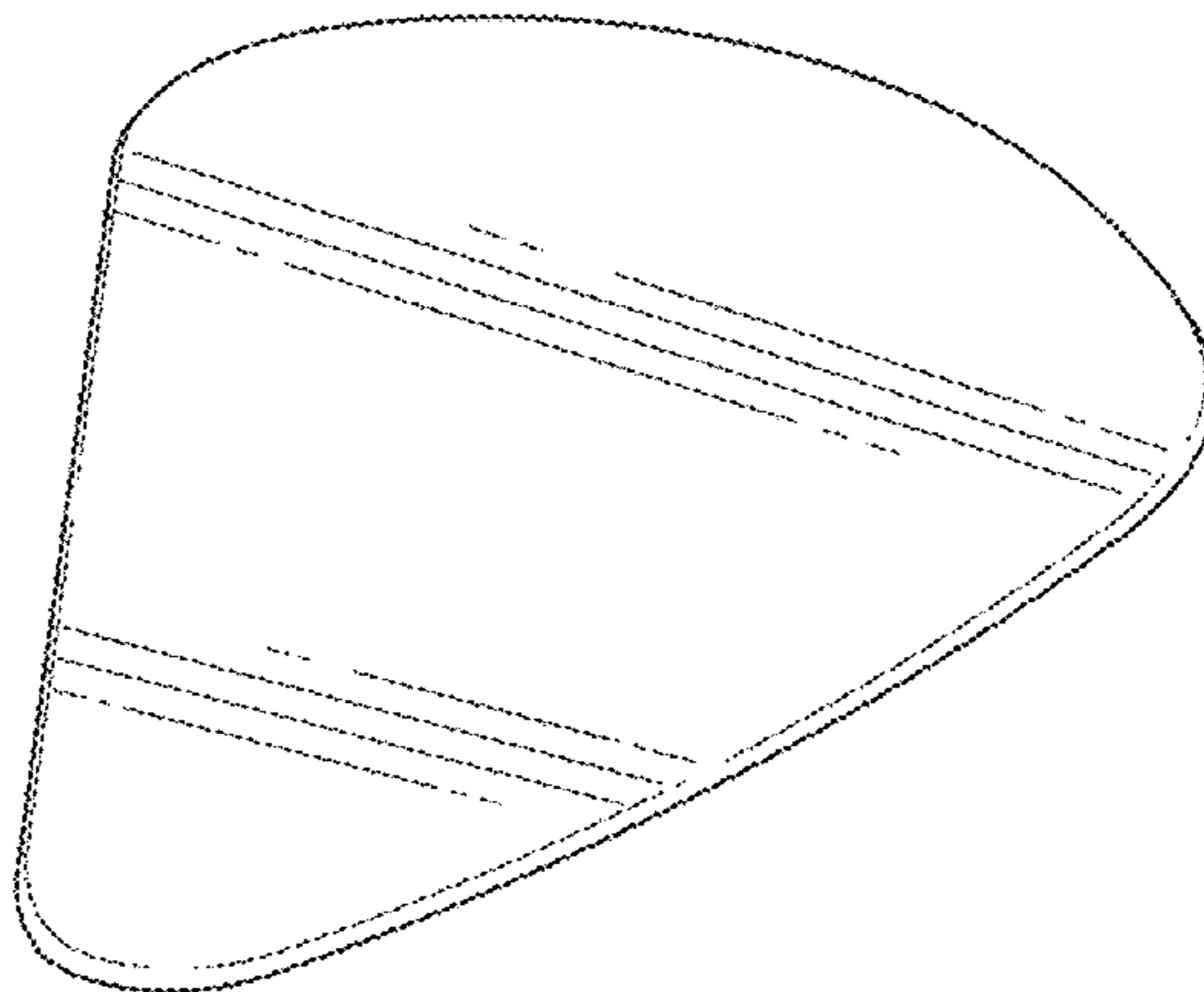
The ornamental design for a makeup tool, as shown and described.

**DESCRIPTION**

FIG. 1 is a perspective view of a makeup tool showing our new design;  
FIG. 2 is a front elevational view of the embodiment of FIG. 1;  
FIG. 3 is a rear elevational view of the embodiment of FIG. 1;  
FIG. 4 is a top plan view of the embodiment of FIG. 1;  
FIG. 5 is a bottom plan view of the embodiment of FIG. 1;  
FIG. 6 is a right side elevational view of the embodiment of FIG. 1; and,  
FIG. 7 is a left side elevational view of the embodiment of FIG. 1.

The surface hatching shown in FIGS. 1-7 is intended to delineate the surface character and contour rather than a surface pattern.

**1 Claim, 3 Drawing Sheets**



(58) **Field of Classification Search**

CPC ..... 2040/223–2040/228; A45D 42/04; A45D  
2200/25; A61K 8/02; A61K 8/0204;  
A61K 8/0208; A61Q 1/025; A61Q 1/14  
See application file for complete search history.

(56) **References Cited**

U.S. PATENT DOCUMENTS

D292,876	S	*	11/1987	Grunhut	.....	D9/423
D302,562	S	*	8/1989	Pearse	.....	D17/20
D482,412	S	*	11/2003	Manville	.....	D21/386
D580,593	S	*	11/2008	Huntington	.....	D20/11
D694,811	S	*	12/2013	Houck, Jr.	.....	D17/20
D736,909	S	*	8/2015	Labit	.....	D24/124
2005/0232681	A1	*	10/2005	Gueret	.....	A45D 34/04 401/129
2016/0051033	A1	*	2/2016	Abraham	.....	A45D 40/30 132/200

\* cited by examiner

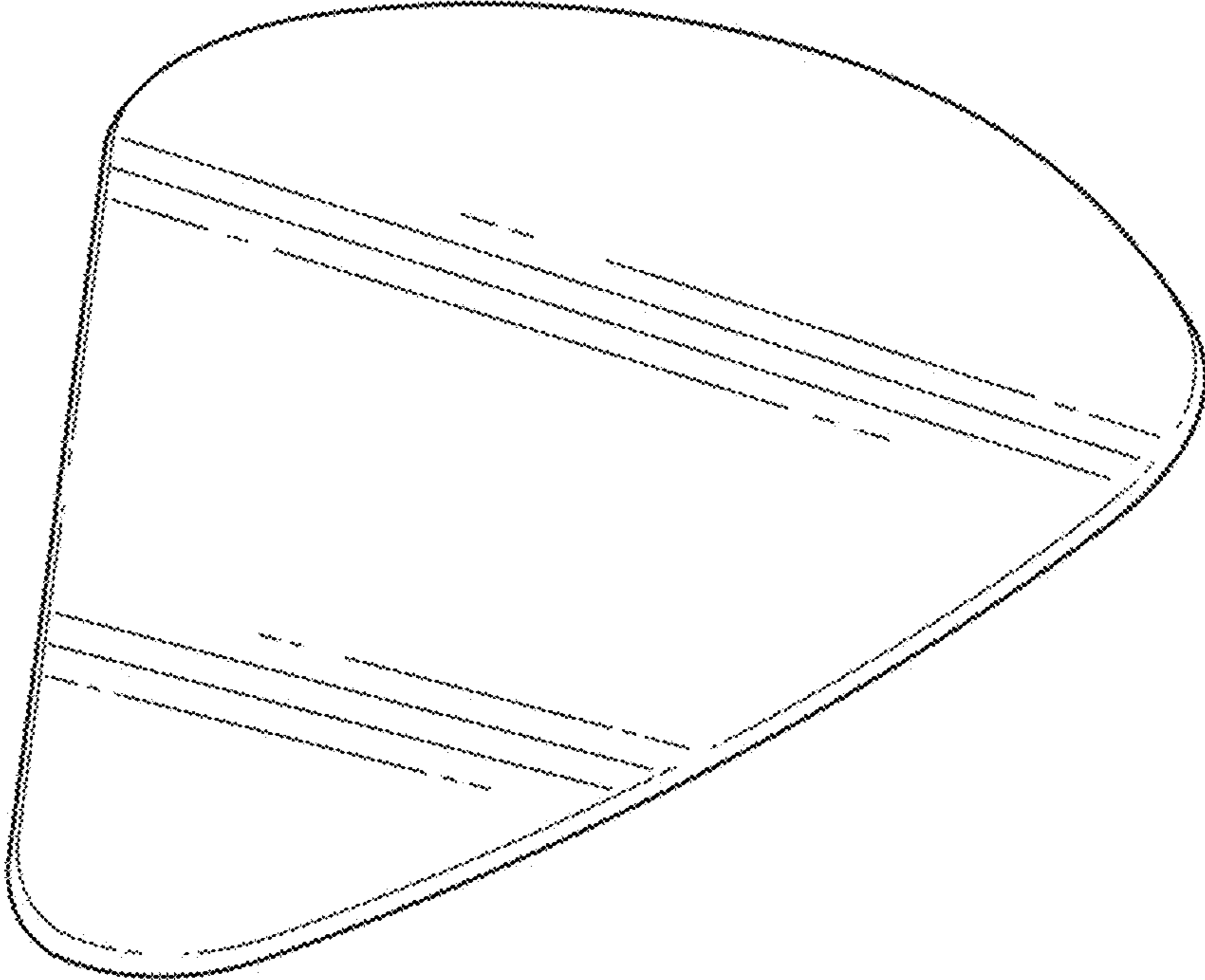


FIG. 1

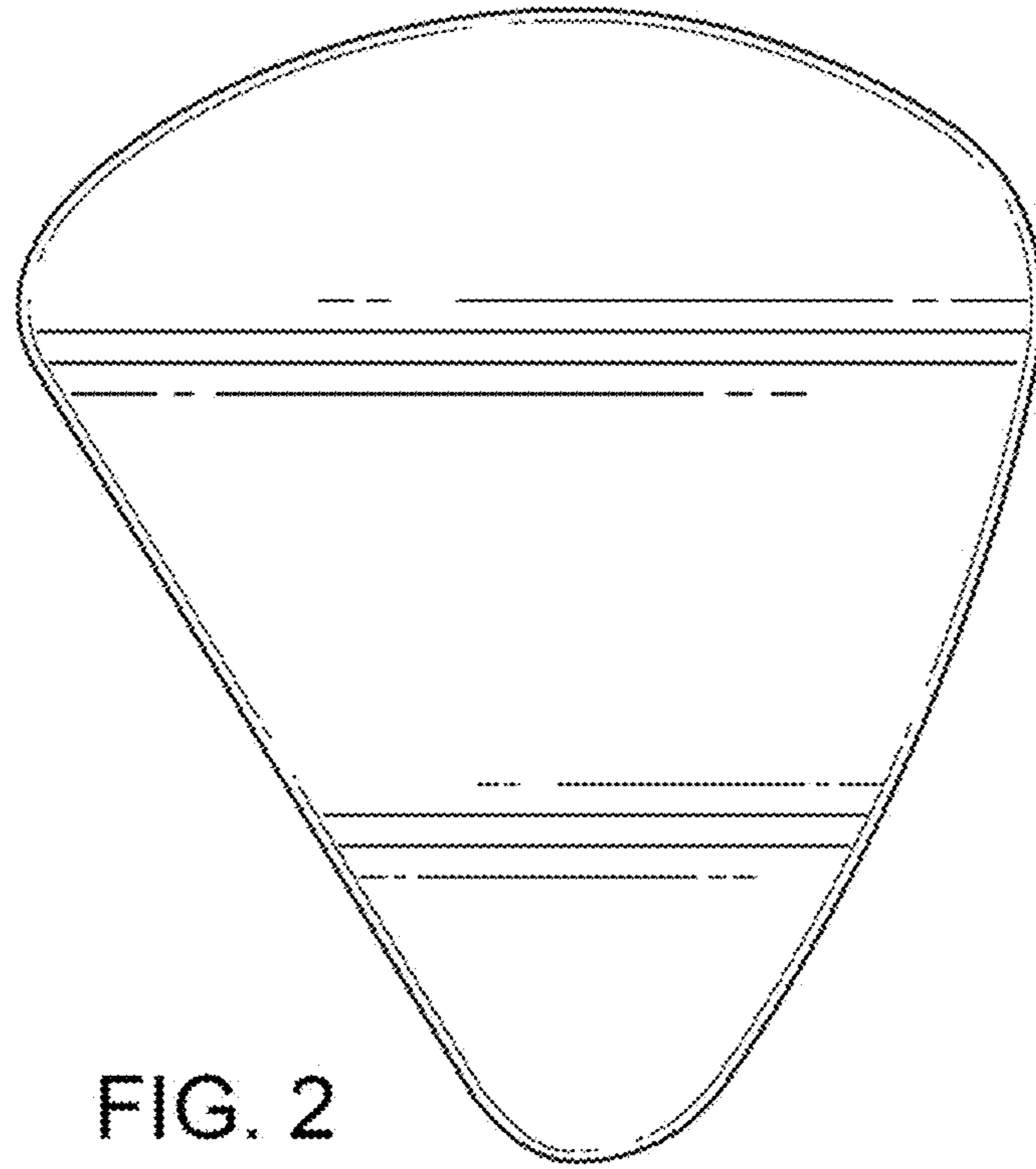


FIG. 2

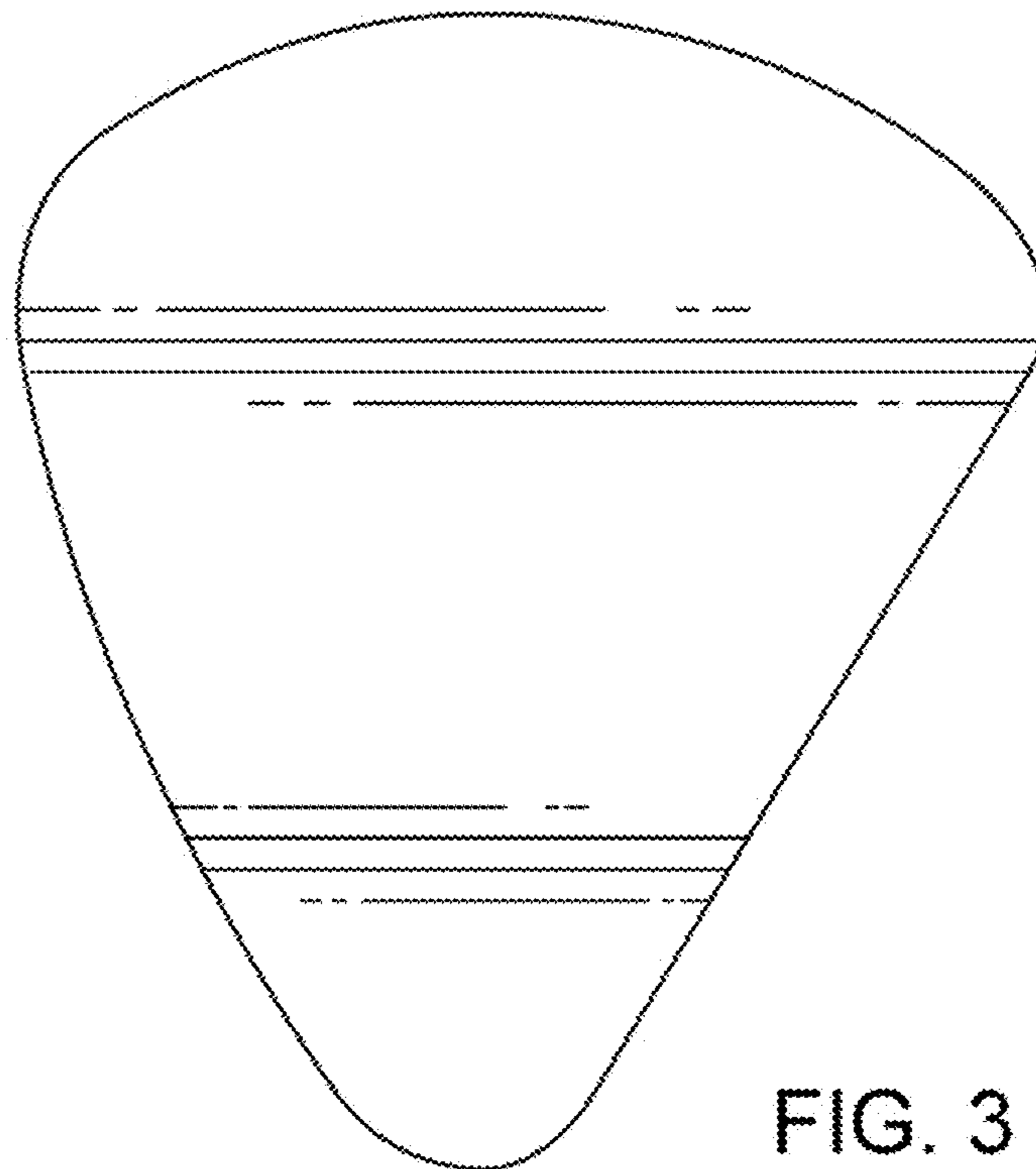


FIG. 3

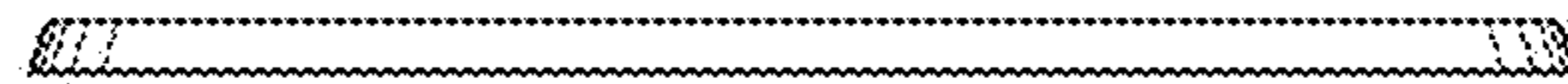


FIG. 4

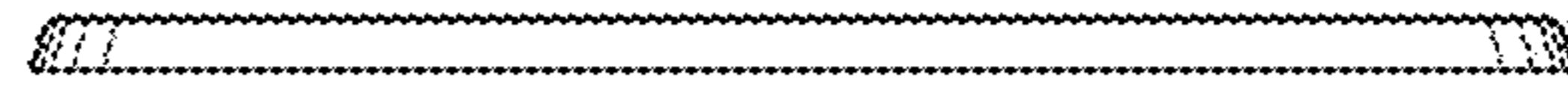


FIG. 5

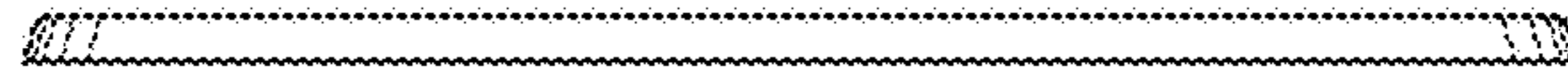


FIG. 6

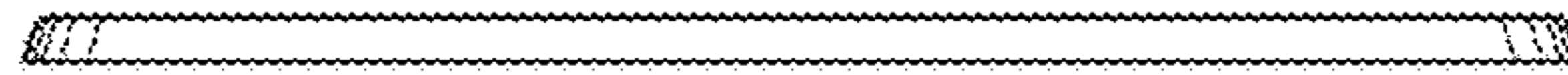


FIG. 7