



US00D788972S

(12) **United States Design Patent**
Araiza

(10) **Patent No.:** **US D788,972 S**
(45) **Date of Patent:** **** Jun. 6, 2017**

- (54) **FLOOR LAMP**
- (71) Applicant: **Evolution Lighting, LLC**, Miami Lakes, FL (US)
- (72) Inventor: **Rachel Araiza**, Rome, GA (US)
- (73) Assignee: **Evolution Lighting, LLC**, Miami Lakes, FL (US)
- (**) Term: **15 Years**
- (21) Appl. No.: **29/548,436**
- (22) Filed: **Dec. 14, 2015**
- (51) **LOC (10) Cl.** **26-03**
- (52) **U.S. Cl.**
USPC **D26/105; D26/112**
- (58) **Field of Classification Search**
USPC D26/1, 24, 93, 104, 106, 110
CPC F21S 6/00; F21S 6/002; F21S 6/004; F21S 6/007; F21S 8/00; F21S 10/00; F21V 21/02; F21V 15/02; F21W 2131/30; F21Y 2105/00
See application file for complete search history.

- 5,800,052 A * 9/1998 Yeh F21V 15/02 362/265
- 5,997,160 A * 12/1999 Swanson F21S 6/007 362/276
- D427,357 S * 6/2000 Dolan D26/110
- D429,537 S * 8/2000 Sherman D26/110
- D439,006 S * 3/2001 Yeh D26/110
- D484,636 S * 12/2003 Hsieh D26/112

* cited by examiner

Primary Examiner — Brian N Vinson
(74) *Attorney, Agent, or Firm* — Greenberg Traurig, LLP

(57) **CLAIM**

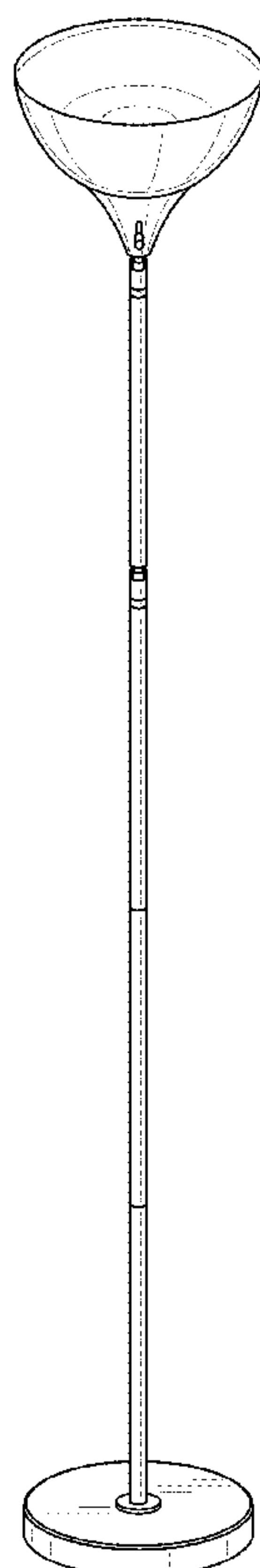
The ornamental design for a floor lamp, as shown and described.

DESCRIPTION

FIG. 1 is a front perspective view of my floor lamp showing my new design;
 FIG. 2 is a right side elevational view thereof;
 FIG. 3 is a left side elevational view thereof;
 FIG. 4 is a front elevational view thereof;
 FIG. 5 is a rear elevational view thereof;
 FIG. 6 is a top plan view thereof;
 FIG. 7 is a bottom plan view thereof;
 FIG. 8 is a right side elevational view thereof in the forty-five degree angle position; and,
 FIG. 9 is a right side elevational view thereof in the ninety-degree angle position.

1 Claim, 8 Drawing Sheets

- (56) **References Cited**
U.S. PATENT DOCUMENTS
D373,007 S * 8/1996 Chelsea D26/110
D377,401 S * 1/1997 Chelsea D26/110



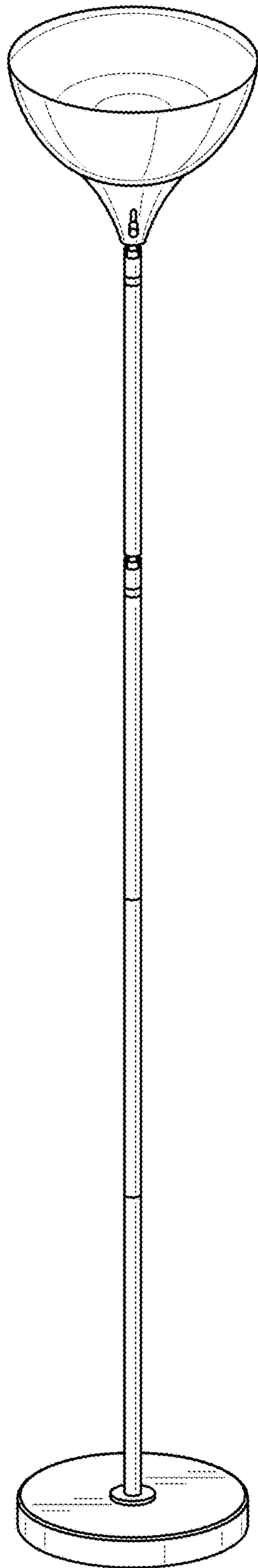


FIG. 1

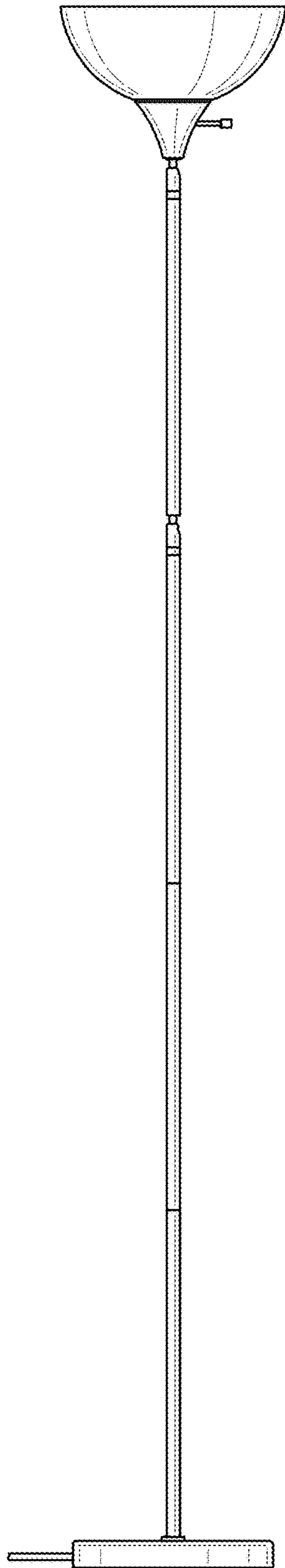


FIG. 2

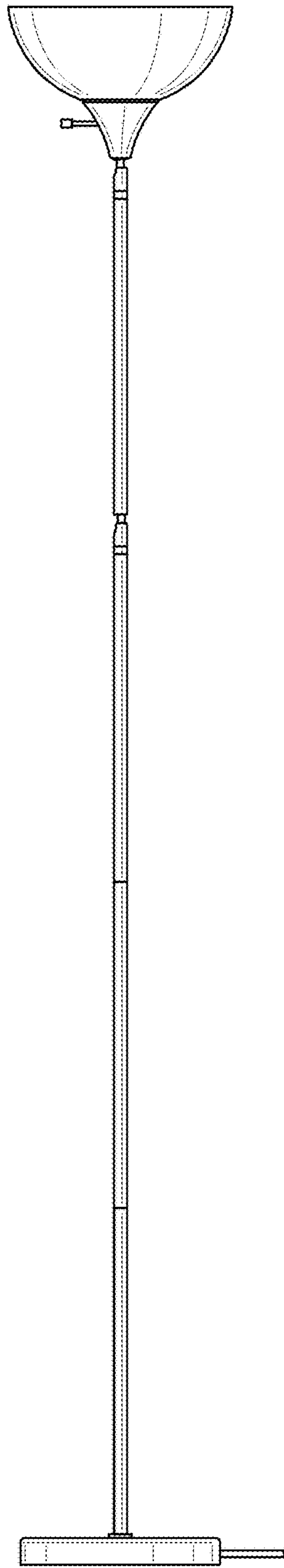


FIG. 3

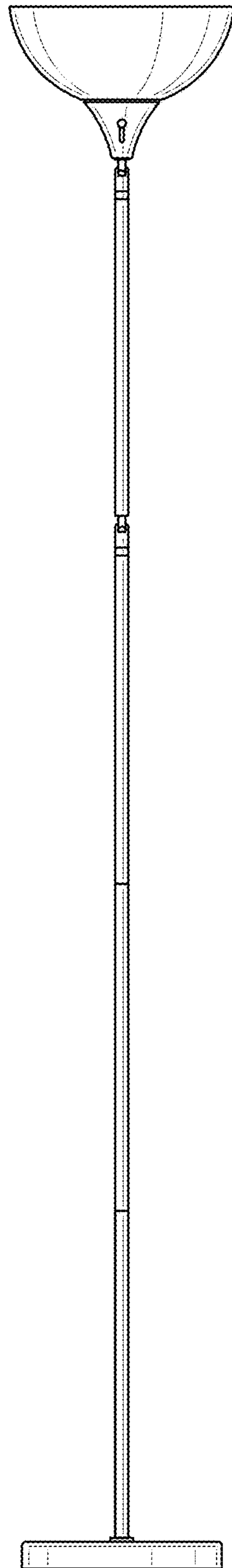


FIG. 4

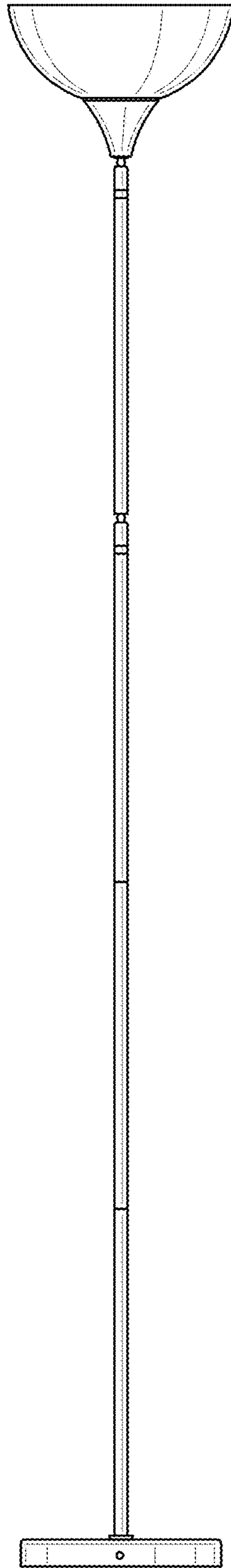


FIG. 5

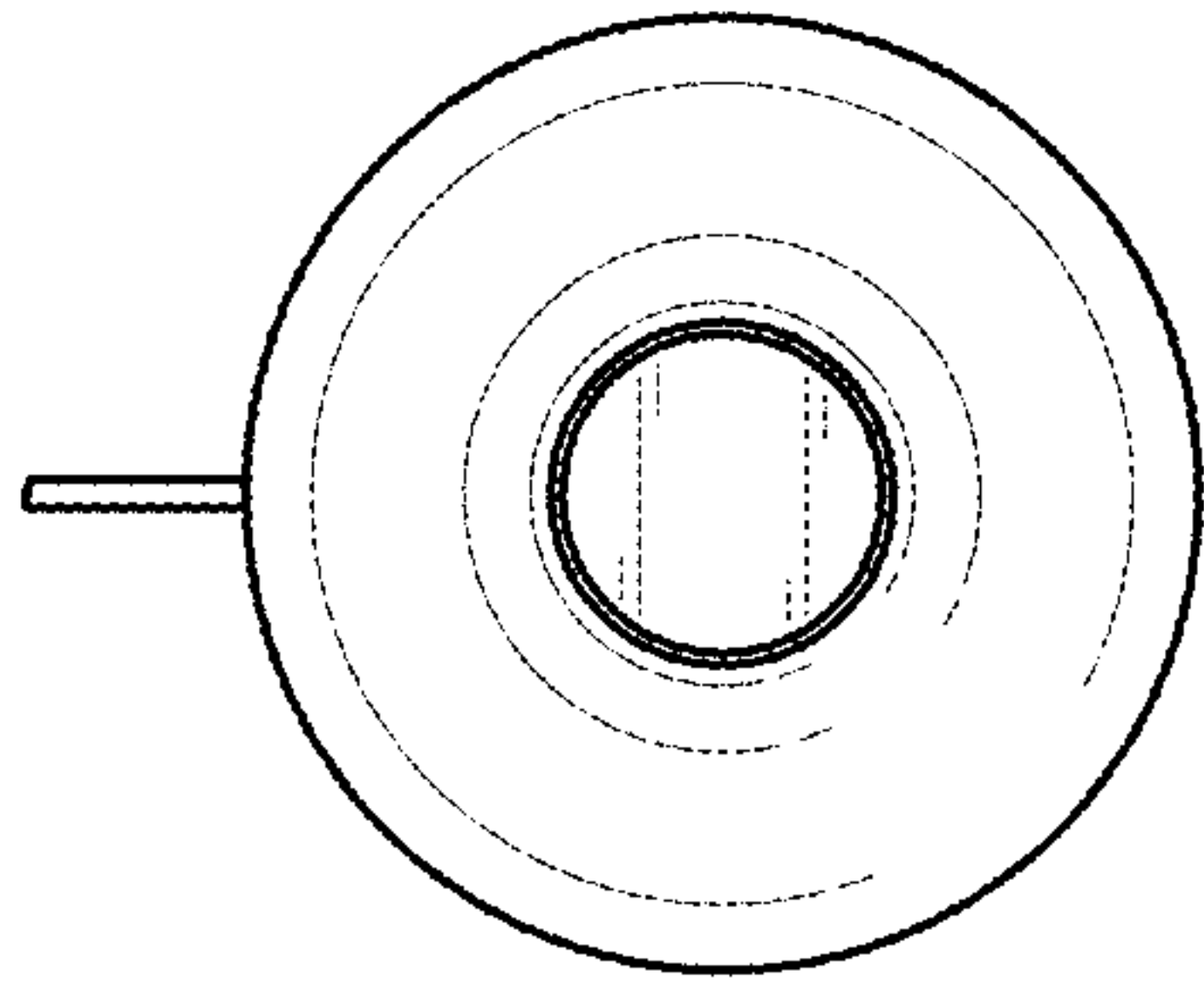


FIG. 6

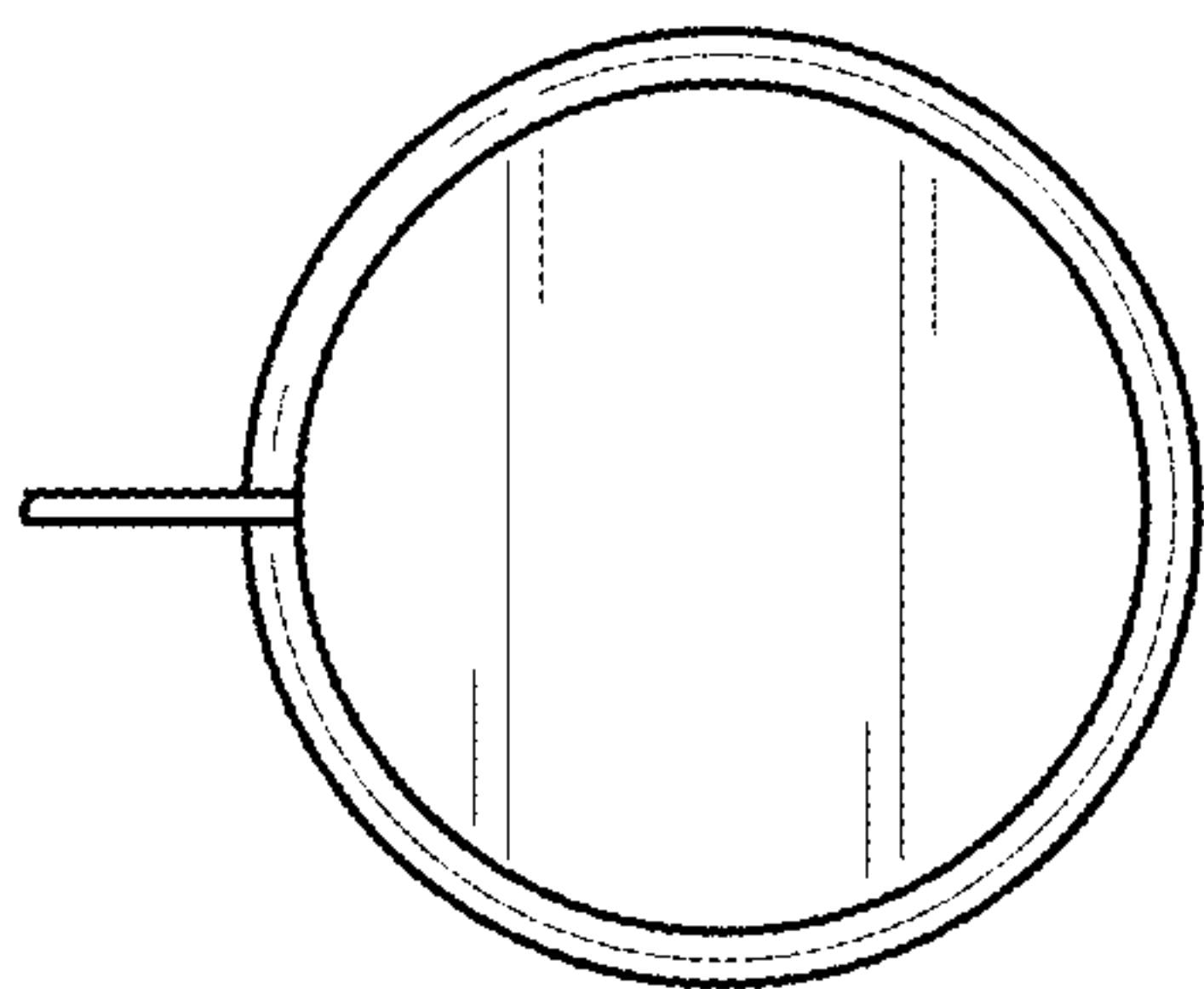


FIG. 7

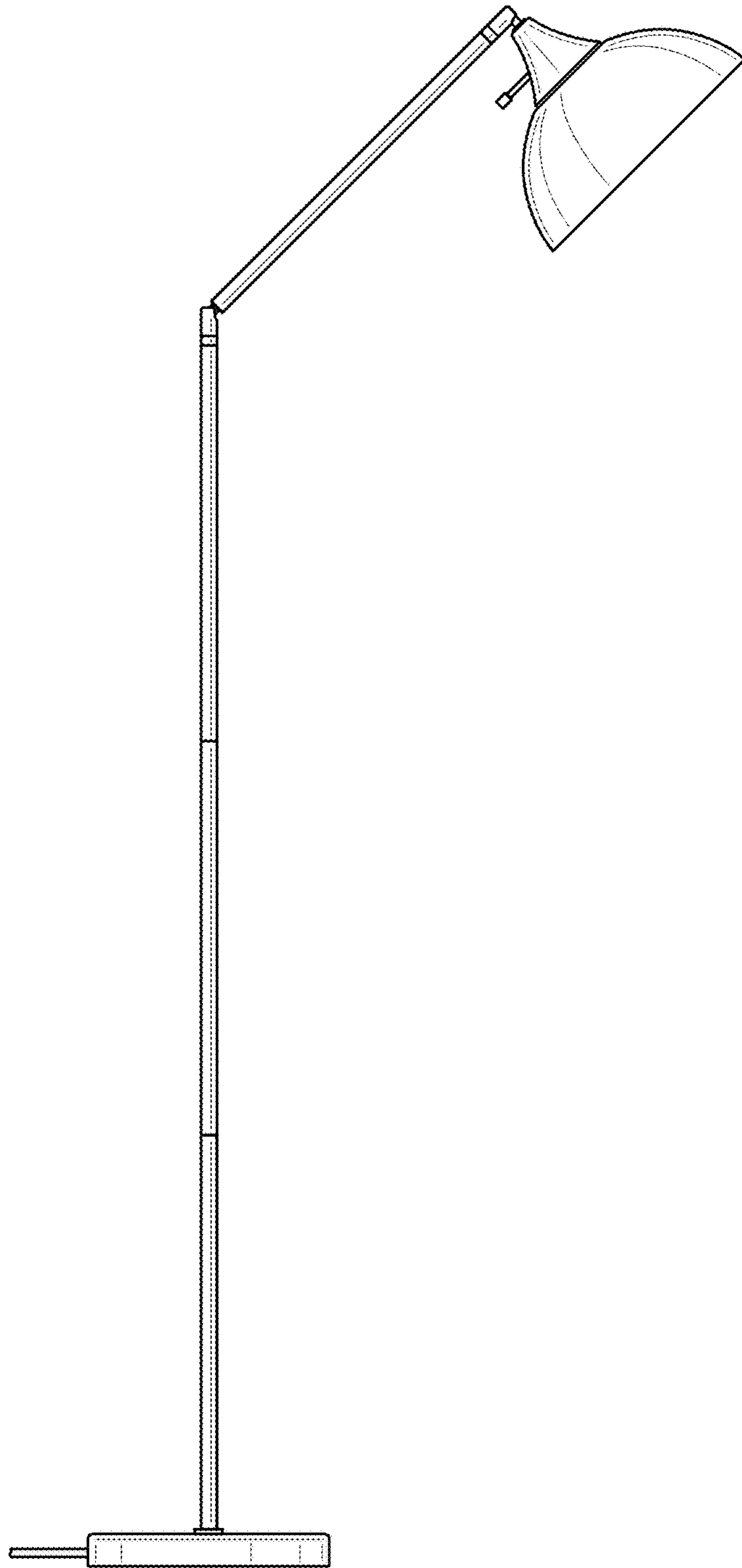


FIG. 8

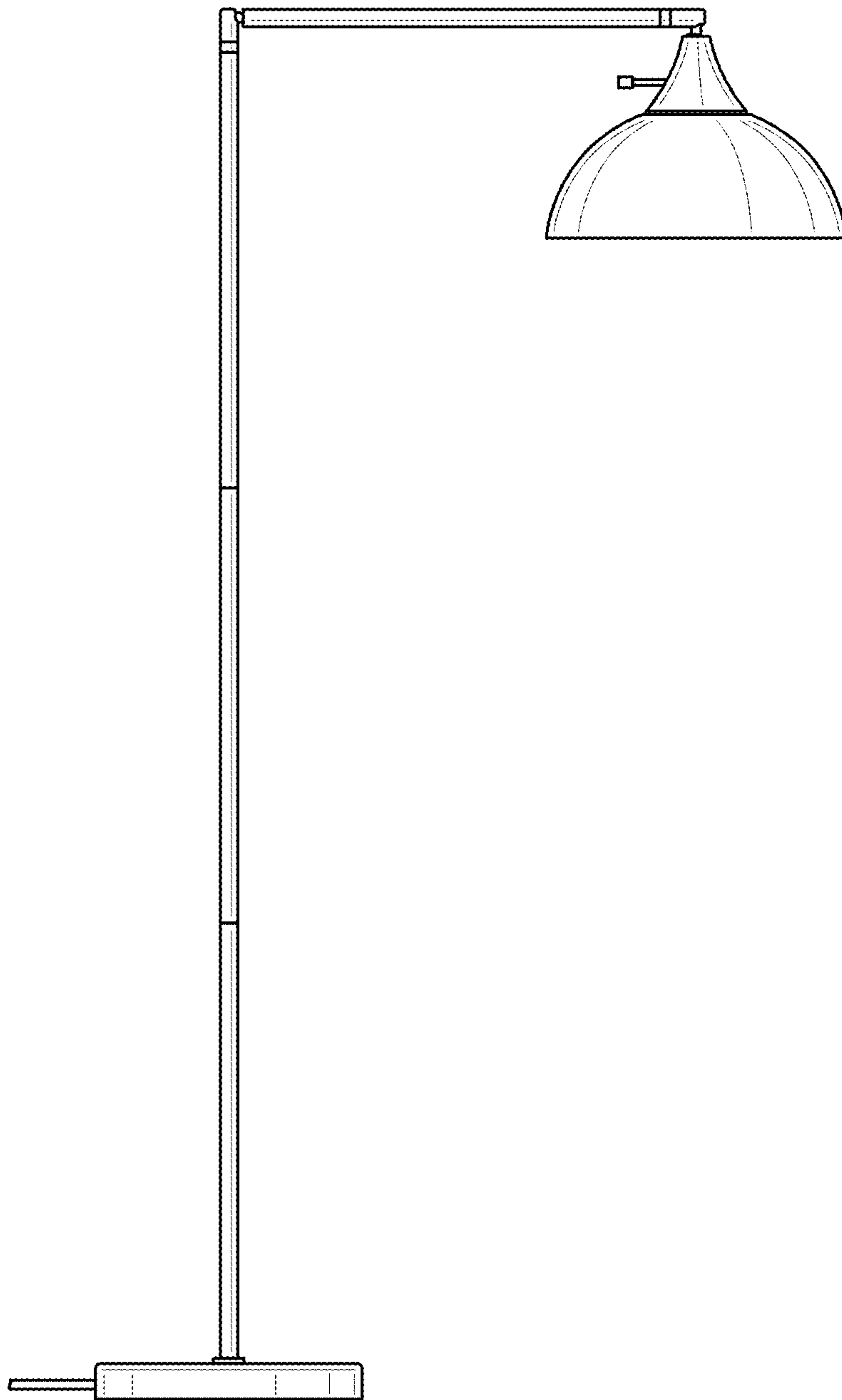


FIG. 9