



US00D788968S

(12) **United States Design Patent**
Salomon

(10) **Patent No.:** **US D788,968 S**

(45) **Date of Patent:** **** Jun. 6, 2017**

(54) **LIGHTING FIXTURE**

(71) Applicant: **SPECIALTY LIGHTING INDUSTRIES, INC.**, Ocean, NJ (US)

(72) Inventor: **Benjamin Salomon**, Elberon, NJ (US)

(73) Assignee: **Specialty Lighting Industries, Inc.**, Ocean, NJ (US)

(**) Term: **15 Years**

(21) Appl. No.: **29/557,386**

(22) Filed: **Mar. 8, 2016**

(51) **LOC (10) Cl.** **26-05**

(52) **U.S. Cl.**
USPC **D26/74**

(58) **Field of Classification Search**
USPC D26/74, 72, 75, 76, 77, 78, 85, 88, 89, D26/118, 138, 141; 362/364, 365, 373, 362/145, 146, 147, 148, 150, 153, 153.1, 362/294, 296.01, 296.07, 296.08
CPC F21V 29/2262; F21V 7/06; F21V 21/044; F21V 21/047; F21V 29/2212; F21V 29/2225; F21V 29/2256; F21V 29/225; F21V 29/2268; F21Y 2111/002; F21S 8/02; F21S 8/026

See application file for complete search history.

(56) **References Cited**

U.S. PATENT DOCUMENTS

D411,031 S * 6/1999 Conn D26/118
D591,893 S * 5/2009 Waldmann D26/74

D593,697 S * 6/2009 Liu D26/74
D613,445 S * 4/2010 Beghelli D26/74
D627,913 S * 11/2010 Gielen D26/74
D632,821 S * 2/2011 Culbert D26/74
D633,636 S * 3/2011 Gielen D26/74
D677,821 S * 3/2013 Jeon D26/74
D698,972 S * 2/2014 Guzzini D26/74
D701,635 S * 3/2014 Lim D26/82
D728,842 S * 5/2015 Arola Ferrer D26/83
D761,991 S * 7/2016 Clark F21V 1/22
D26/73
D773,109 S * 11/2016 Hu D26/118

* cited by examiner

Primary Examiner — Angela J Lee

(74) *Attorney, Agent, or Firm* — Jeffrey J Brosemer

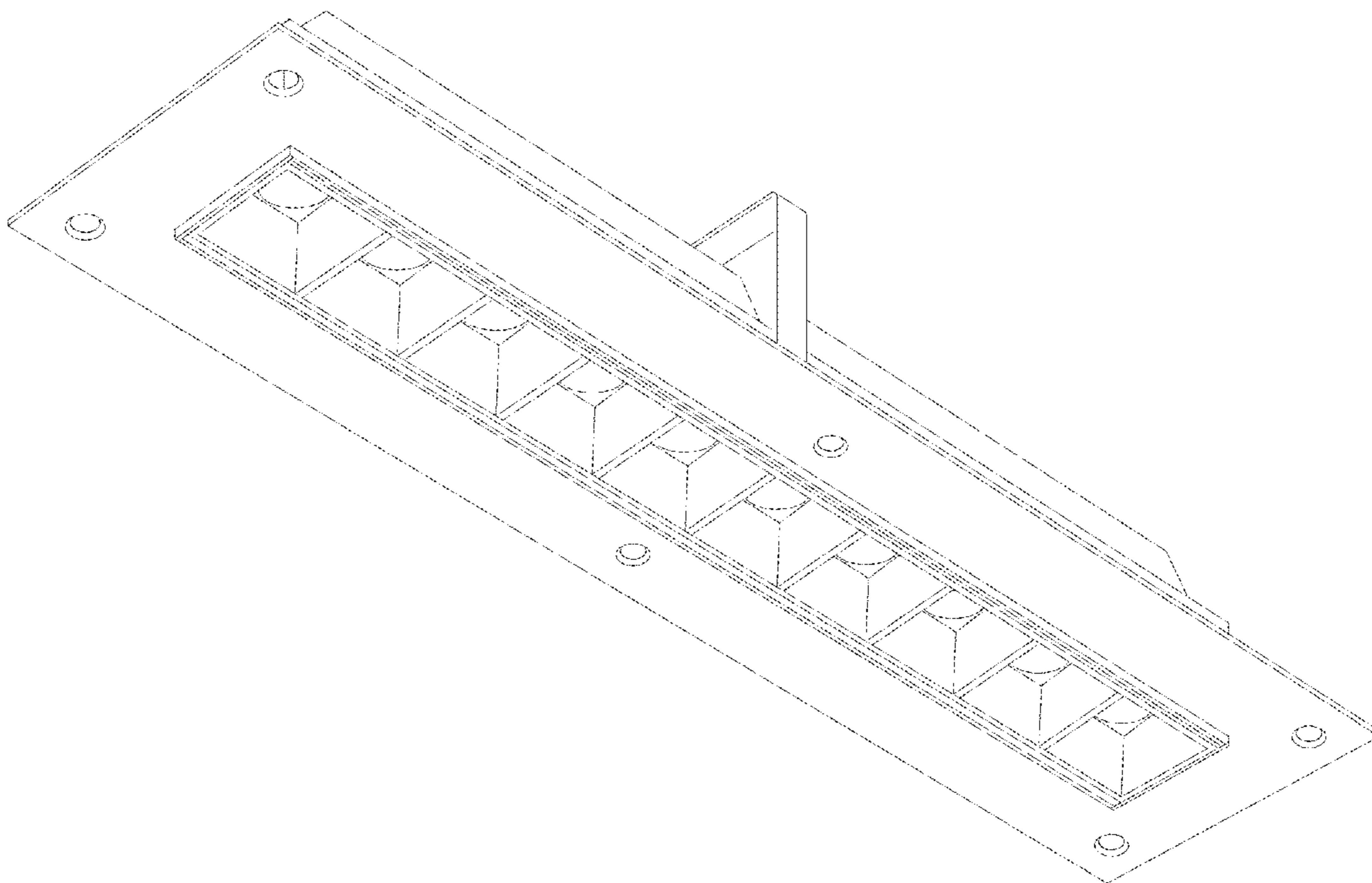
(57) **CLAIM**

The ornamental design for a lighting fixture, as shown and described.

DESCRIPTION

FIG. 1 is a top view of a lighting fixture showing my new design;
FIG. 2 is a bottom view thereof;
FIG. 3 is a front side view, the rear side view being identical thereto;
FIG. 4 is left side view, the right side view being identical thereto; and,
FIG. 5 is a bottom perspective view thereof.

1 Claim, 5 Drawing Sheets



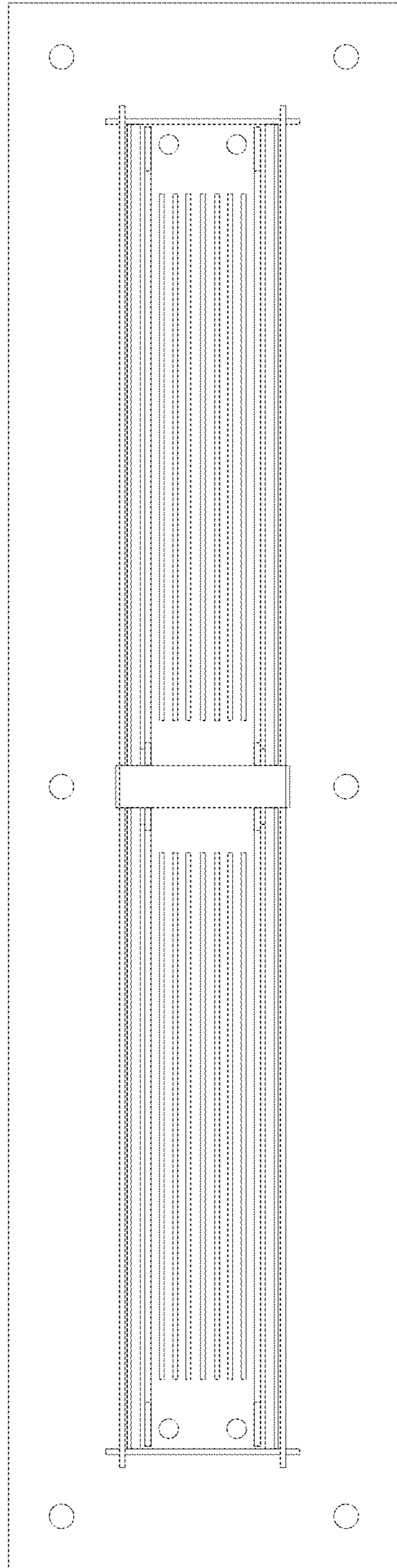


FIG. 1

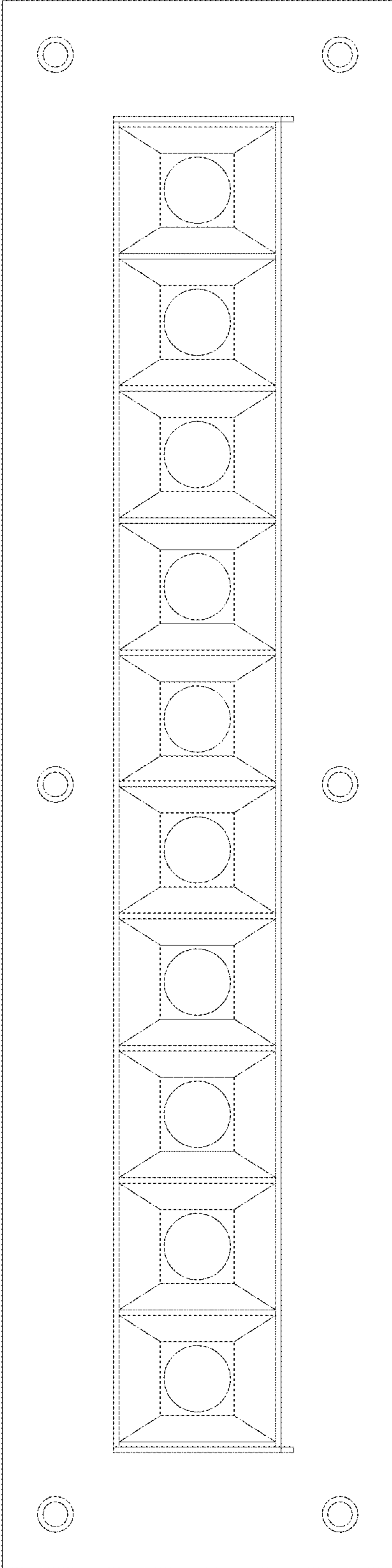


FIG. 2

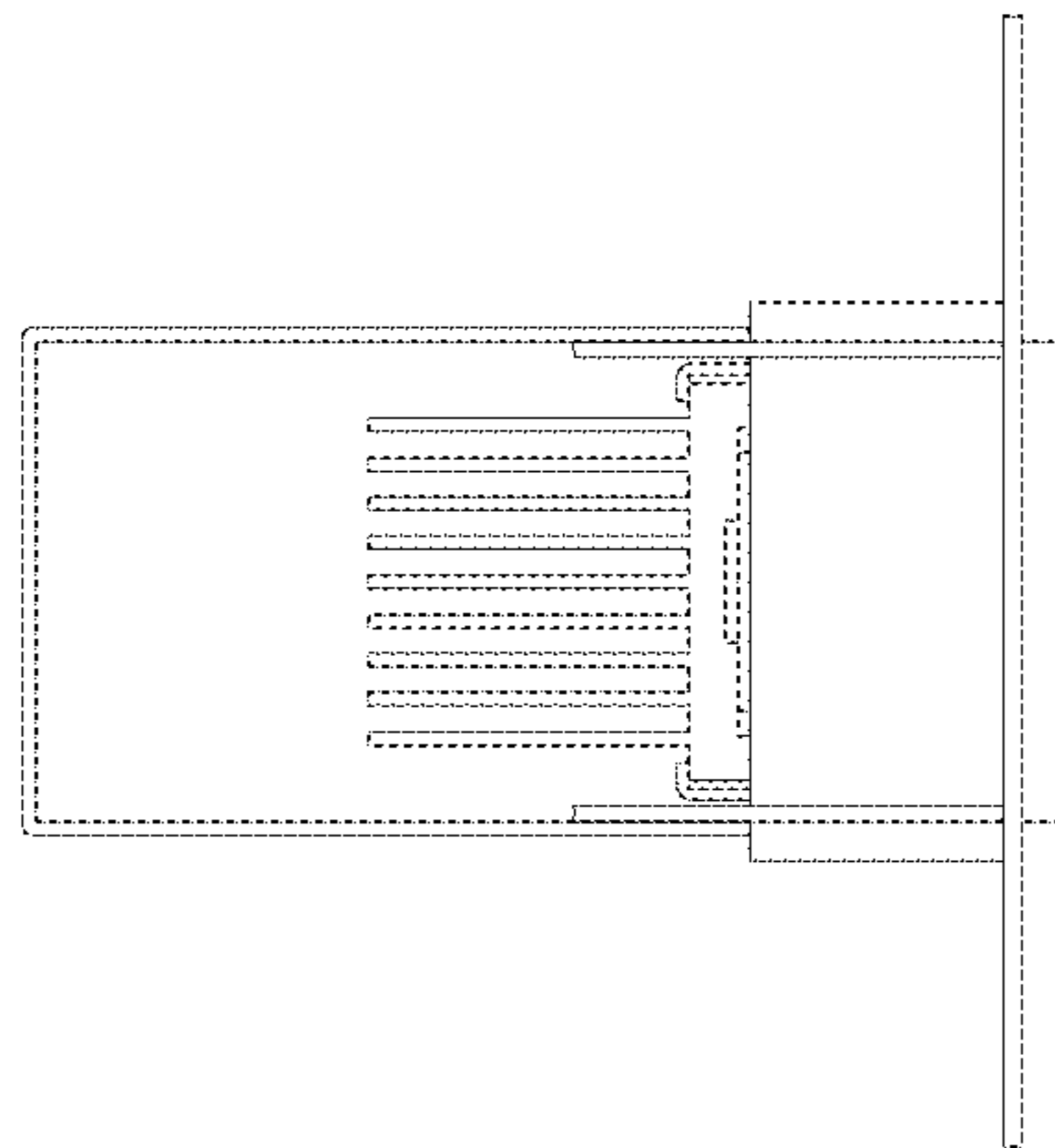


FIG. 3

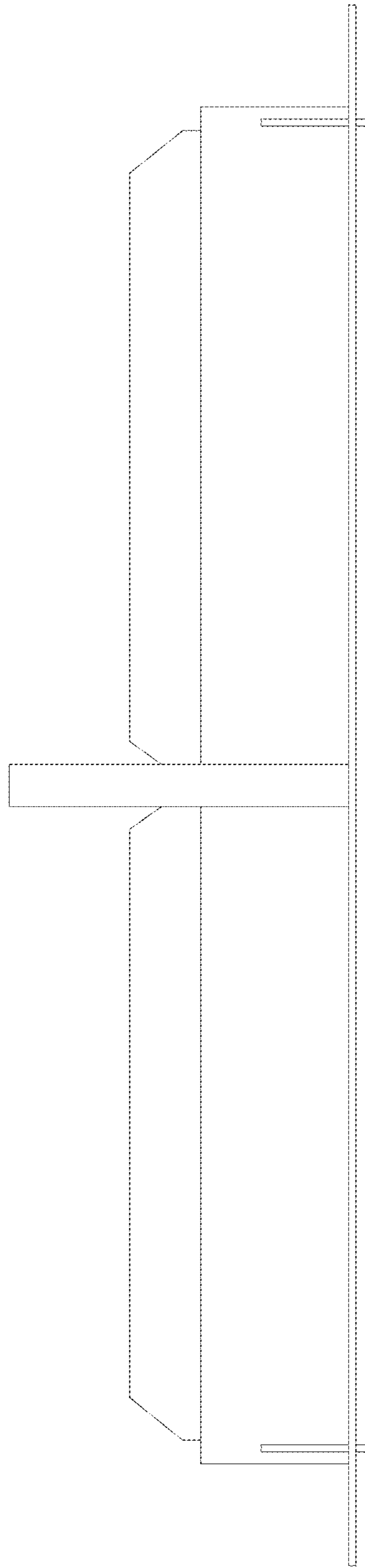


FIG. 4

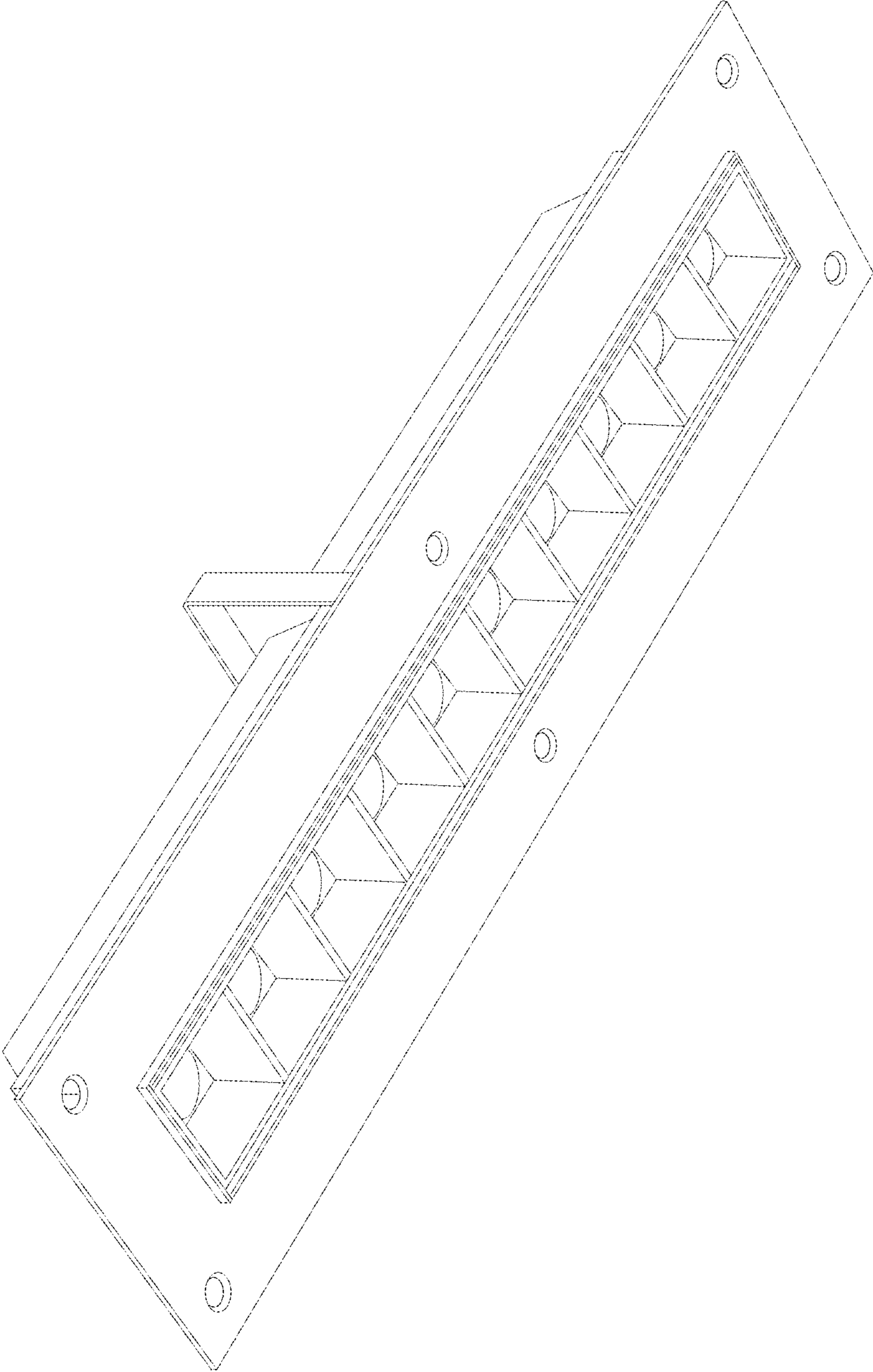


FIG. 5