



US00D788966S

(12) **United States Design Patent**
Gan

(10) **Patent No.:** **US D788,966 S**

(45) **Date of Patent:** **** Jun. 6, 2017**

(54) **LED LAMP**

(71) Applicant: **SNC OPTO ELECTRONIC CO., LTD**, Shenzhen (CN)

(72) Inventor: **Zhoucong Gan**, Shenzhen (CN)

(73) Assignee: **SNC OPTO ELECTRONIC CO., LTD**, Shenzhen (CN)

(**) Term: **15 Years**

(21) Appl. No.: **29/555,633**

(22) Filed: **Feb. 23, 2016**

(51) **LOC (10) Cl.** **26-03**

(52) **U.S. Cl.**
USPC **D26/63**

(58) **Field of Classification Search**
USPC D26/60-66, 72, 85, 87, 92
CPC . F21K 9/00; F21V 5/007; F21V 7/005; F21V 7/0083; F21V 11/04; F21V 11/14; F21V 15/01; F21V 19/001; F21V 21/002; F21V 21/06; F21V 21/0885; F21V 21/145; F21V 21/30; F21V 33/0024
See application file for complete search history.

(56) **References Cited**

U.S. PATENT DOCUMENTS

D570,024 S * 5/2008 Guercio D26/63
D645,184 S * 9/2011 Zhan D26/63

D723,727 S * 3/2015 Moeller D26/63
D731,688 S * 6/2015 Piano D26/63
D762,901 S * 8/2016 Boissevain D26/63
D767,806 S * 9/2016 Colacilli D26/63
D770,074 S * 10/2016 Romano D26/63
D776,320 S * 1/2017 Bobel D26/63

* cited by examiner

Primary Examiner — Brian N Vinson

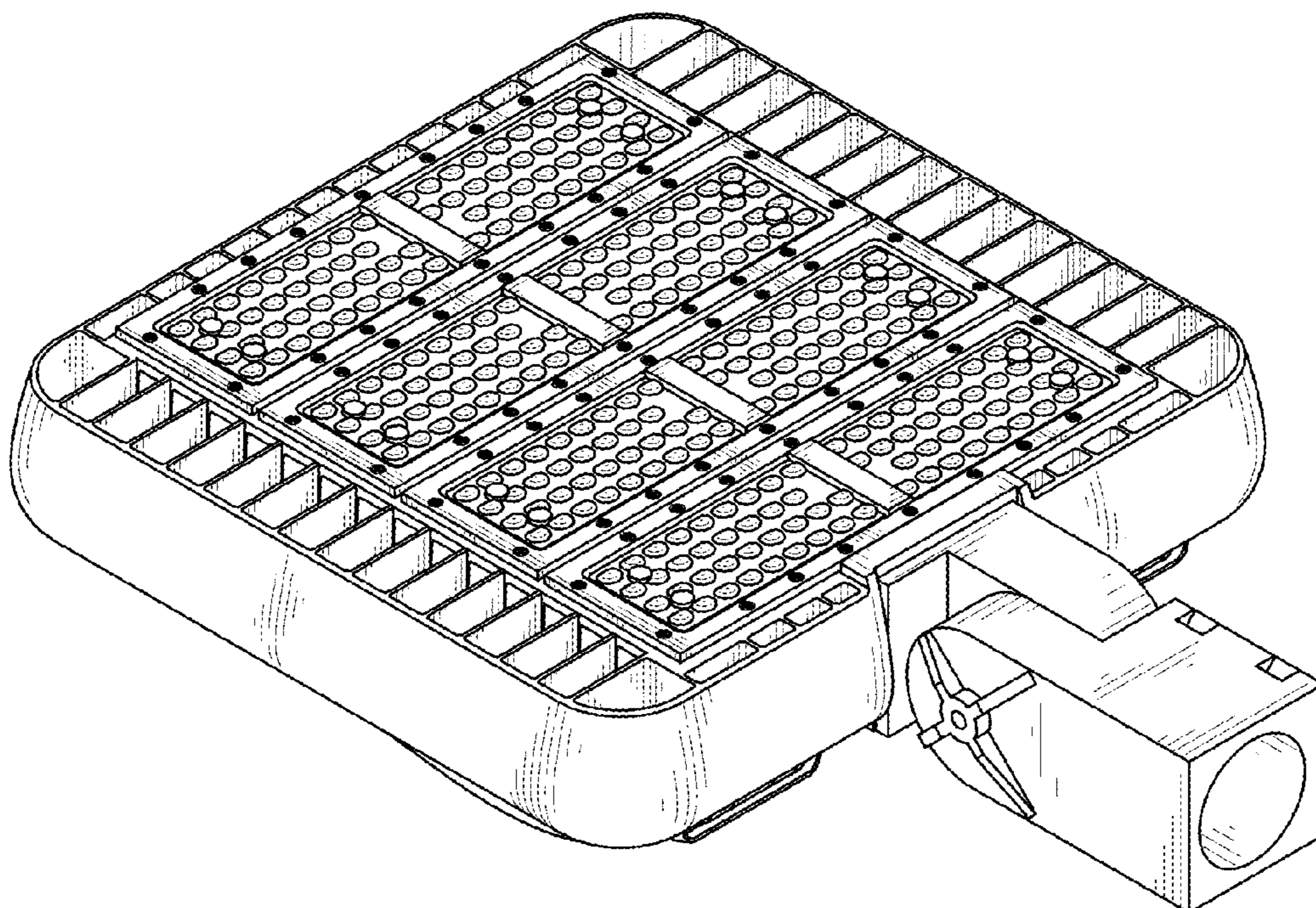
(57) **CLAIM**

I claim a new ornamental design for a LED lamp, as shown and described.

DESCRIPTION

FIG. 1 is a perspective view of an LED Lamp showing my new design;
FIG. 2 is another perspective view thereof;
FIG. 3 is a front elevational view thereof;
FIG. 4 is a rear elevational view thereof;
FIG. 5 is a left side elevational view thereof;
FIG. 6 is a right side elevational view thereof;
FIG. 7 is a top plan view thereof; and,
FIG. 8 is a bottom plan view thereof.

1 Claim, 8 Drawing Sheets



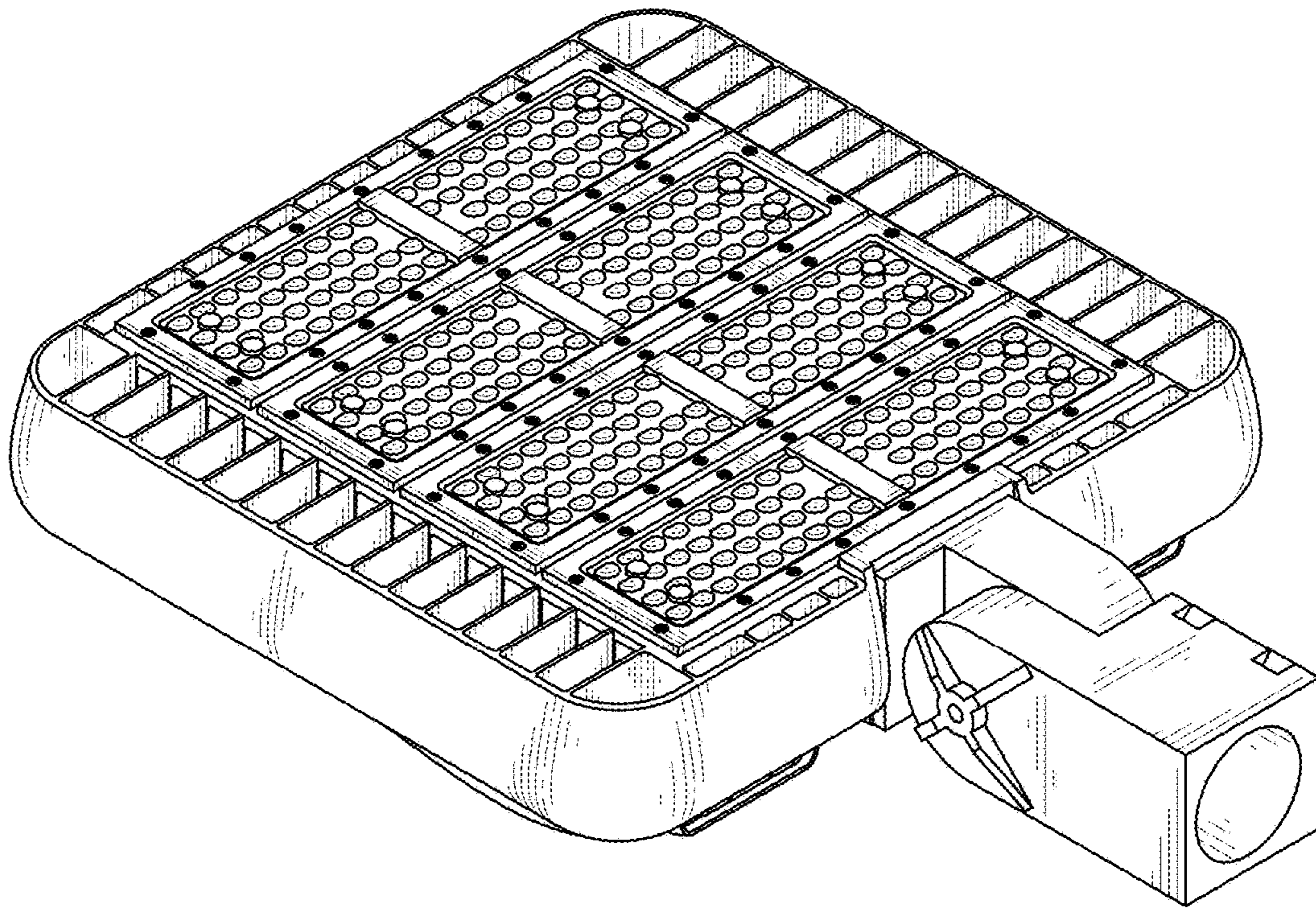


FIG. 1

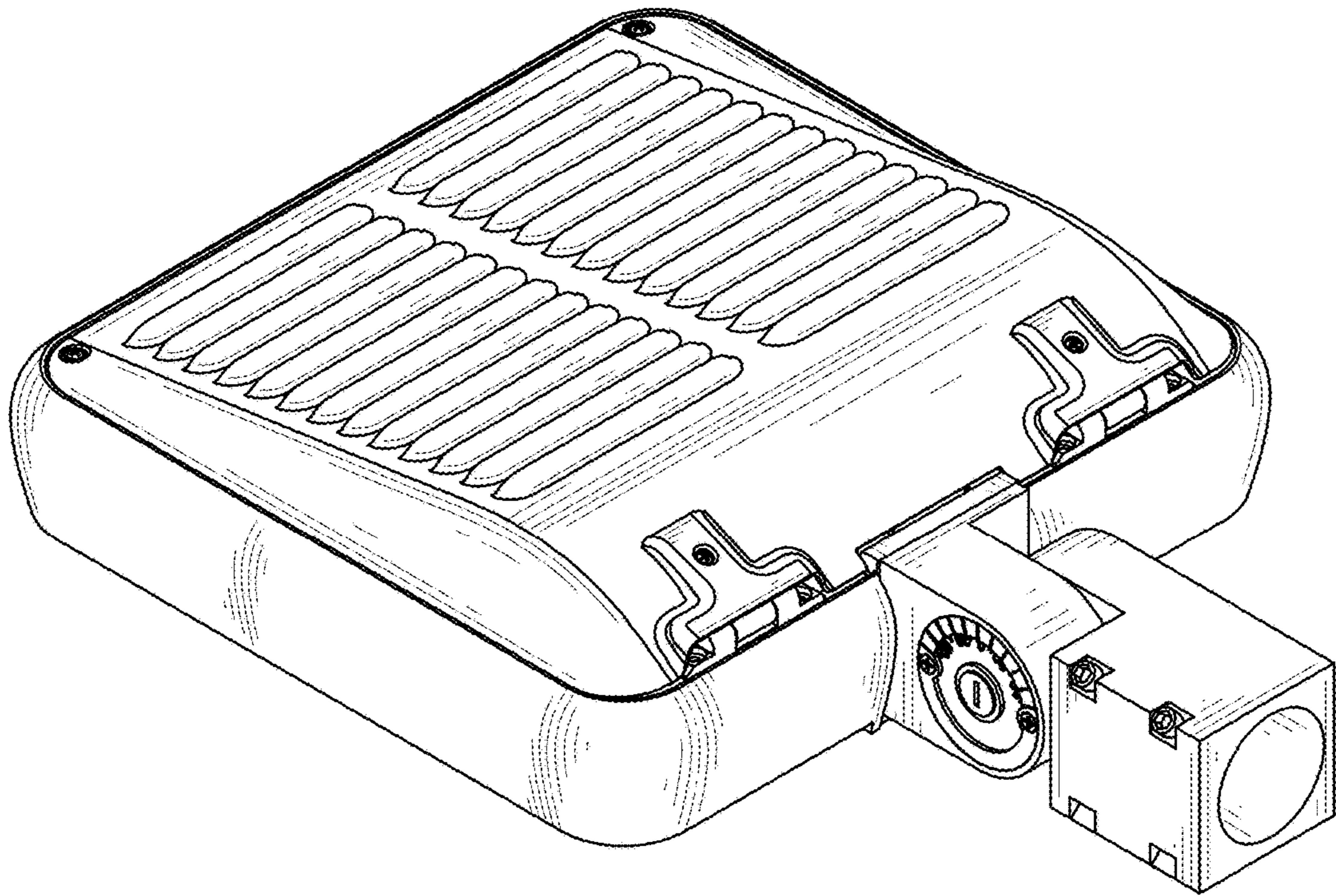


FIG. 2

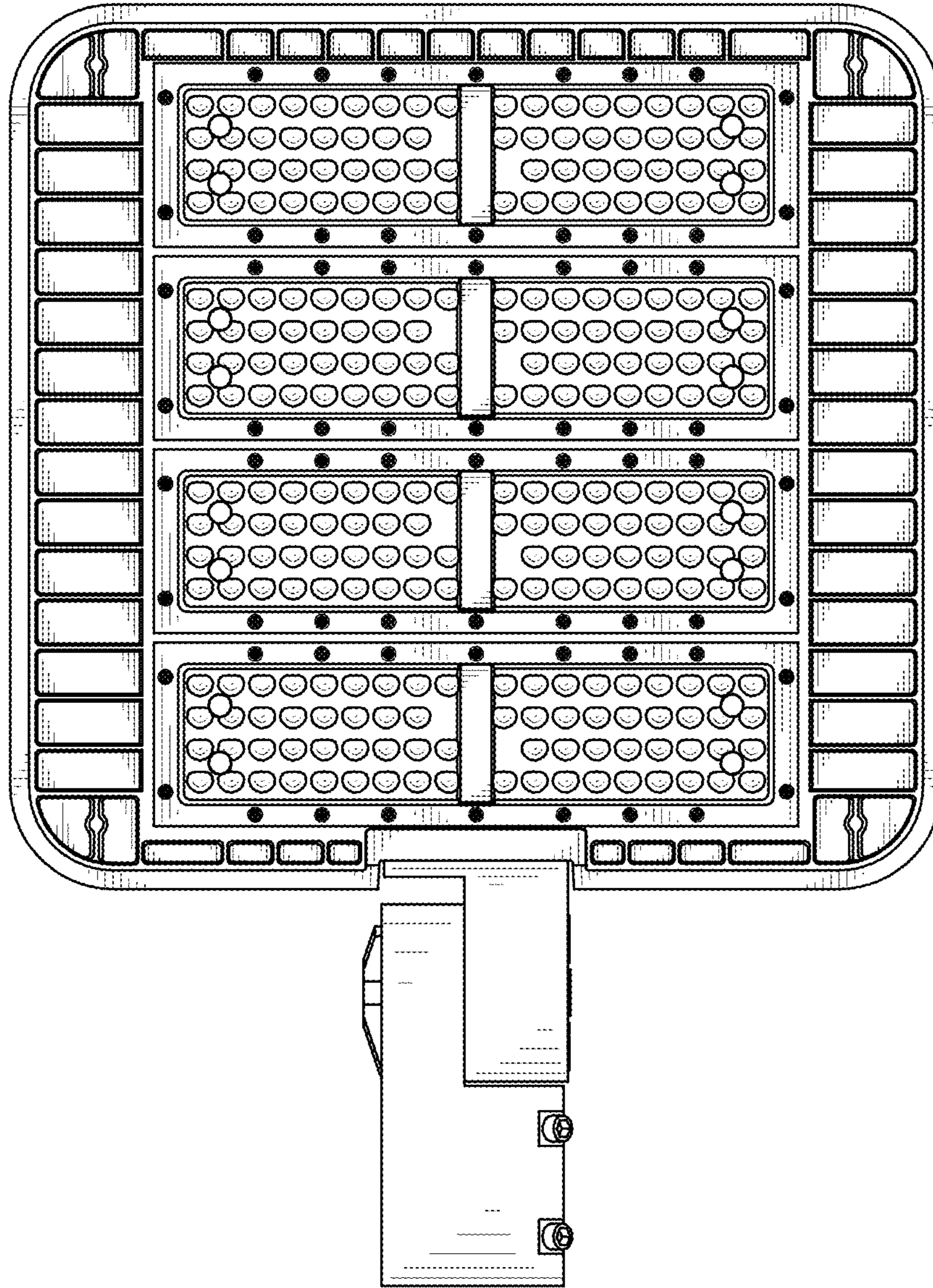


FIG. 3

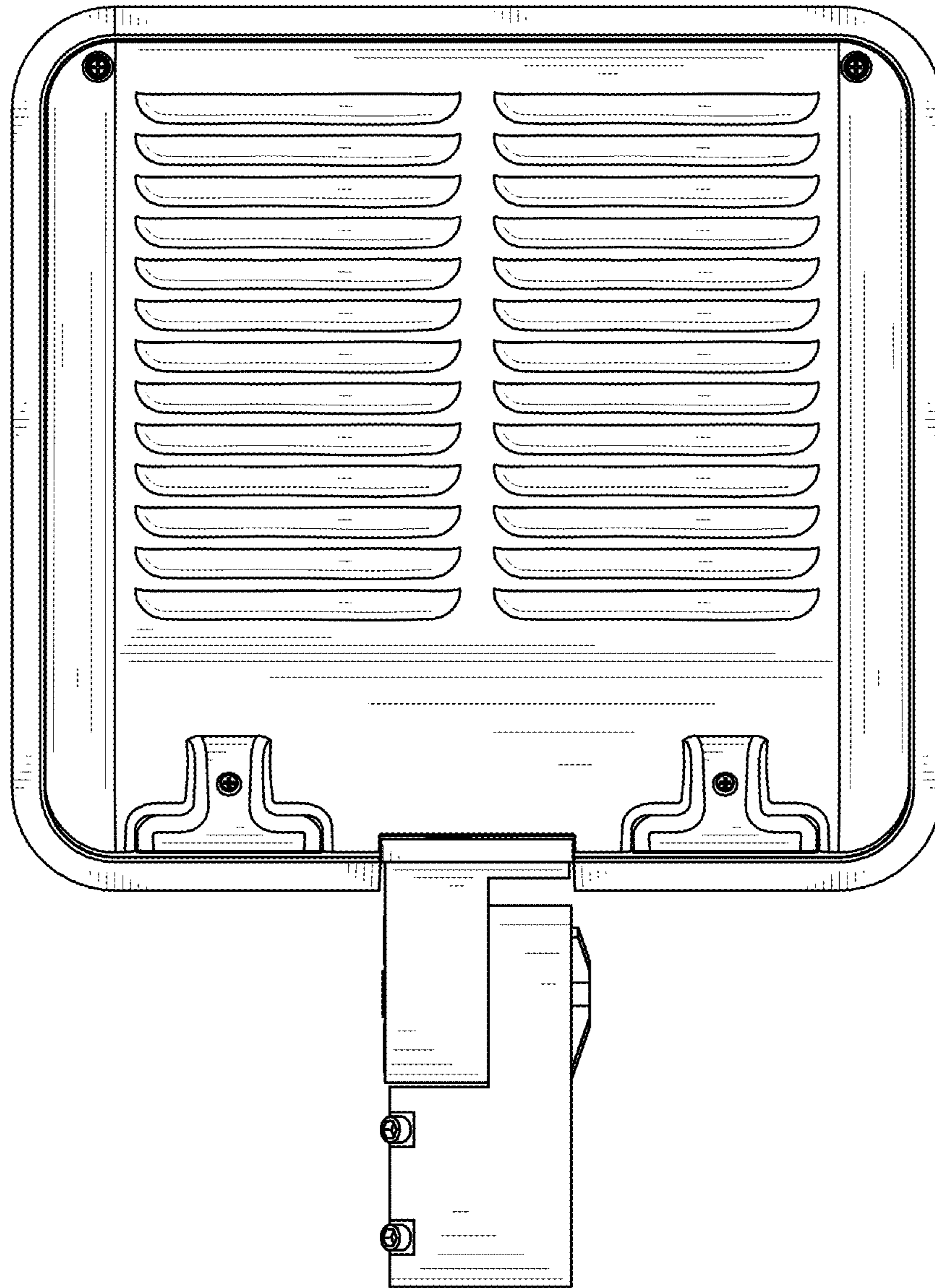


FIG. 4

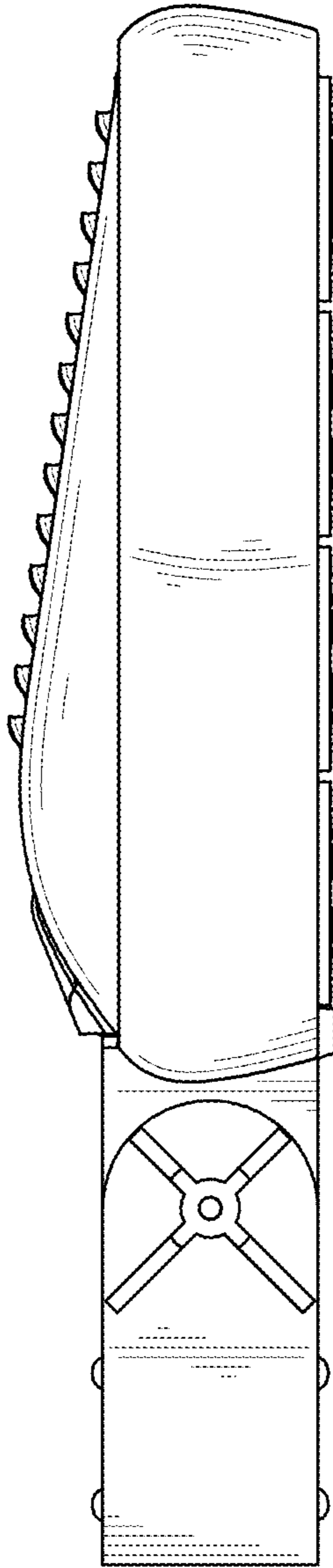


FIG. 5

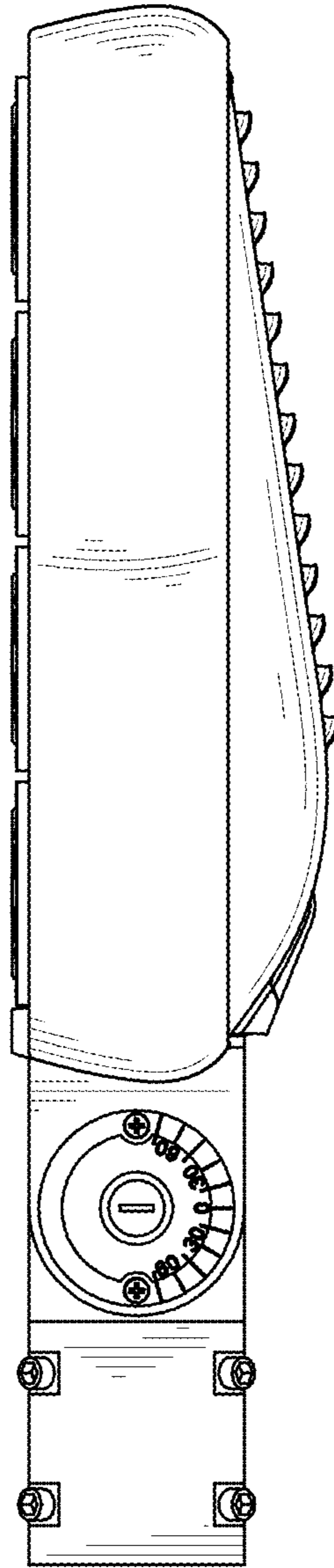


FIG. 6

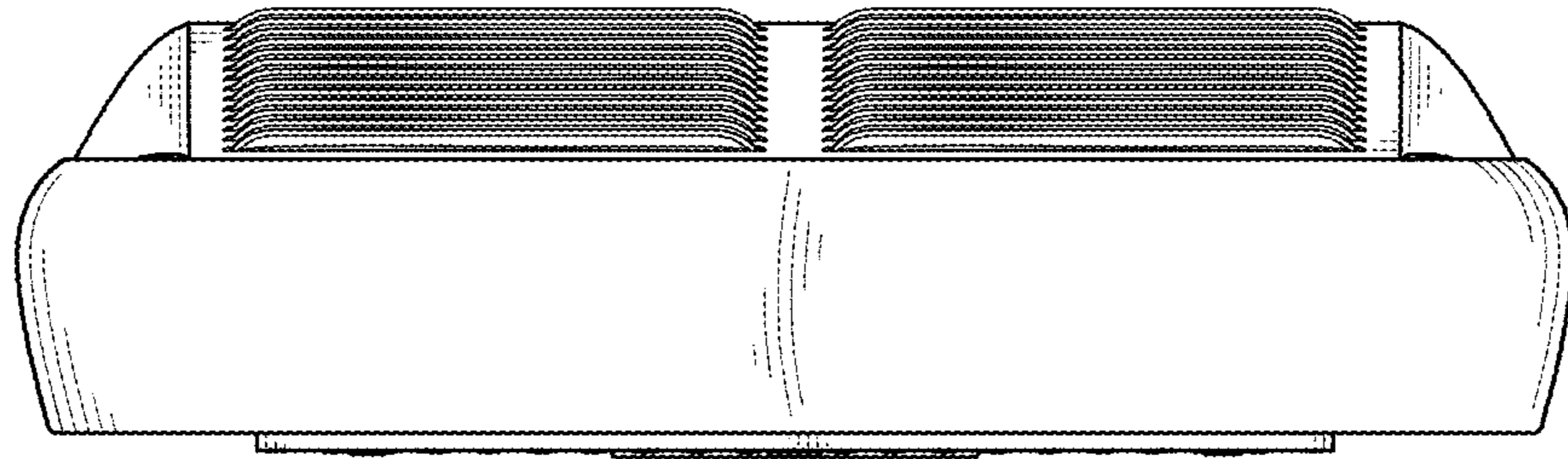


FIG. 7

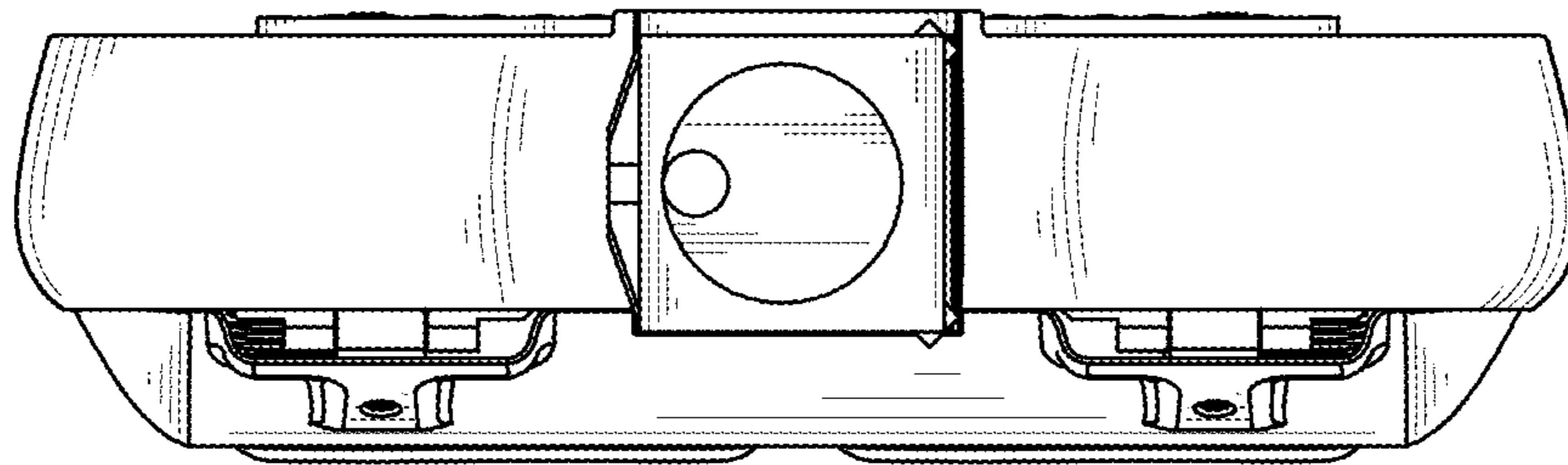


FIG. 8