



US00D788963S

(12) **United States Design Patent** (10) **Patent No.:** **US D788,963 S**
Peard (45) **Date of Patent:** **** Jun. 6, 2017**

(54) **LIGHT PROJECTOR**

(71) Applicant: **AYRTON**, Longjumeau (FR)
 (72) Inventor: **Yvan Peard**, Longjumeau (FR)
 (73) Assignee: **AYRTON**, Longjumeau (FR)
 (**) Term: **15 Years**

(21) Appl. No.: **29/541,328**
 (22) Filed: **Oct. 2, 2015**

(30) **Foreign Application Priority Data**

Apr. 3, 2015 (EP) 002675587-0003

(51) **LOC (10) Cl.** **26-03**

(52) **U.S. Cl.**
USPC **D26/61**

(58) **Field of Classification Search**
 USPC D26/1, 24, 61, 63, 65
 CPC F21V 21/14; F21V 15/01; F21V 14/02;
 F21V 21/30; F21V 14/00; F21V 19/04;
 F21S 8/00; F21Y 2105/001

See application file for complete search history.

(56) **References Cited**

U.S. PATENT DOCUMENTS

D271,824 S *	12/1983	Massaro	D26/65
D272,656 S *	2/1984	Parker	D26/65
D713,081 S *	9/2014	Scarlata	D26/65
D749,767 S *	2/2016	Jin	D26/63
D762,901 S *	8/2016	Boissevain	D26/63

* cited by examiner

Primary Examiner — Brian N Vinson

(74) *Attorney, Agent, or Firm* — Wenderoth, Lind & Ponack, L.L.P.

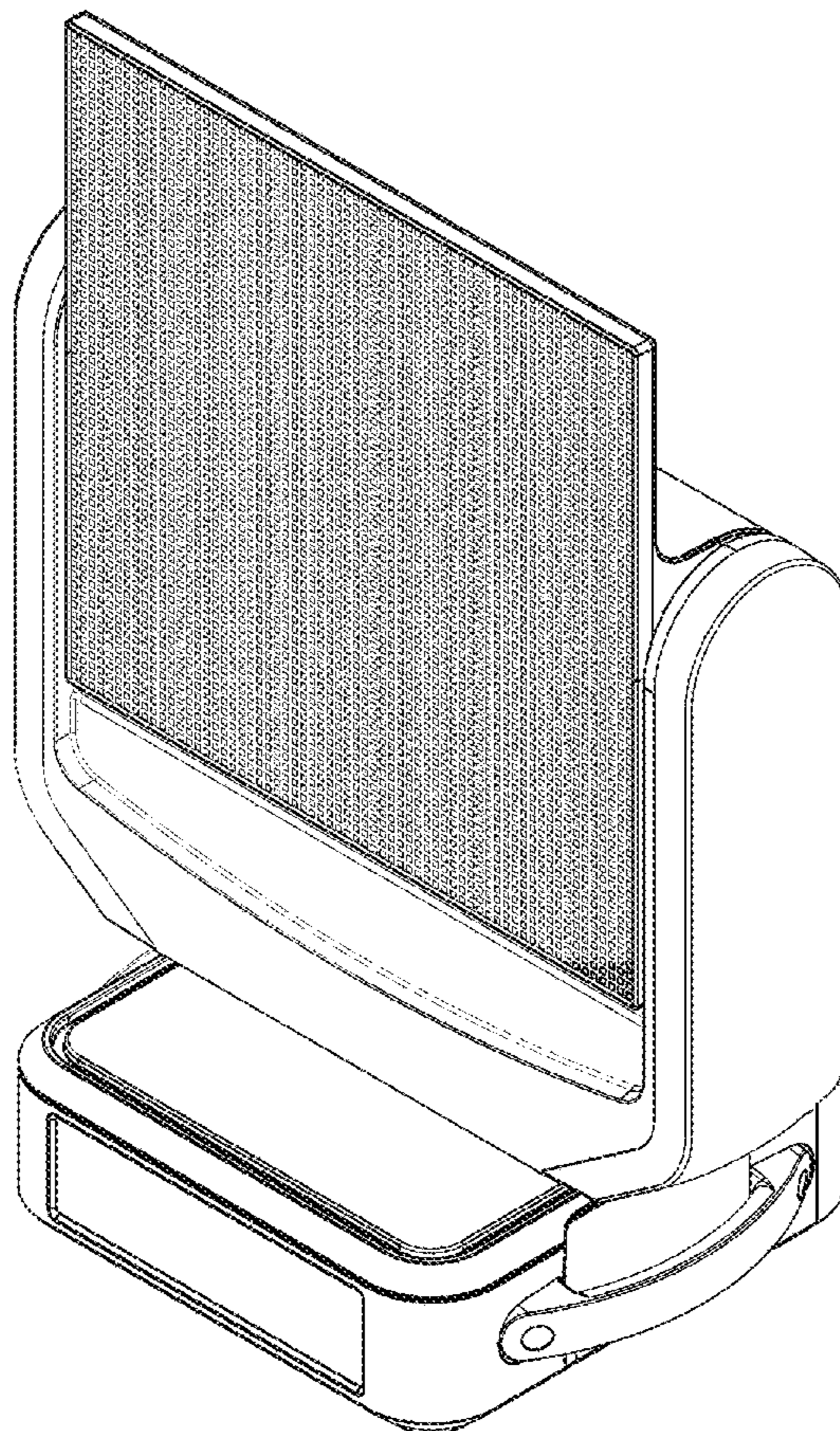
(57) **CLAIM**

The ornamental design for a light projector, as shown.

DESCRIPTION

FIG. 1 is the front view of the light projector showing my new design;
 FIG. 2 is the Isometric view of the design;
 FIG. 3 is the left view thereof;
 FIG. 4 is the right view of the design;
 FIG. 5 is the top view of the design;
 FIG. 6 is the back view; and,
 FIG. 7 is the bottom view.

1 Claim, 7 Drawing Sheets



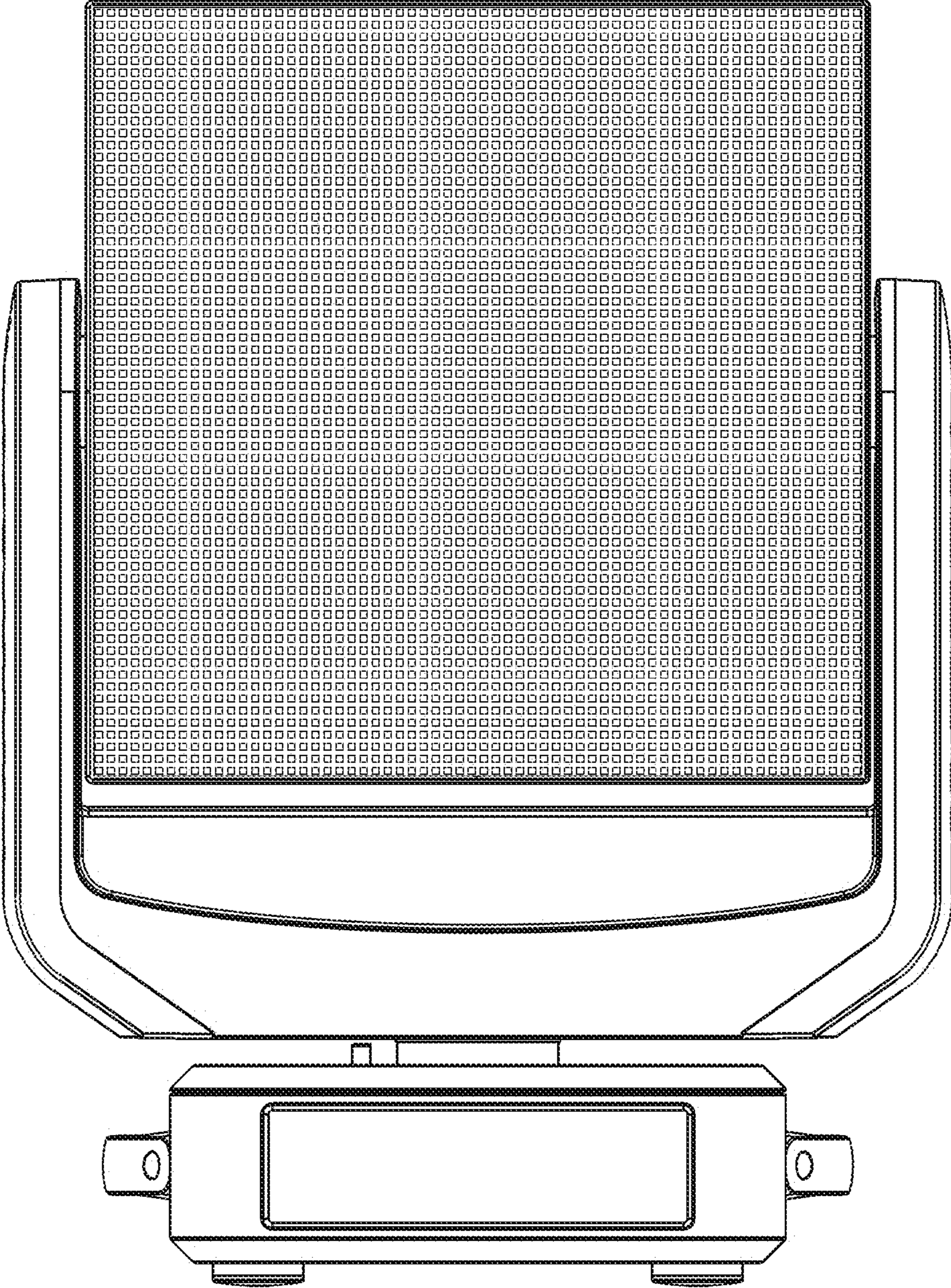


Fig. 1

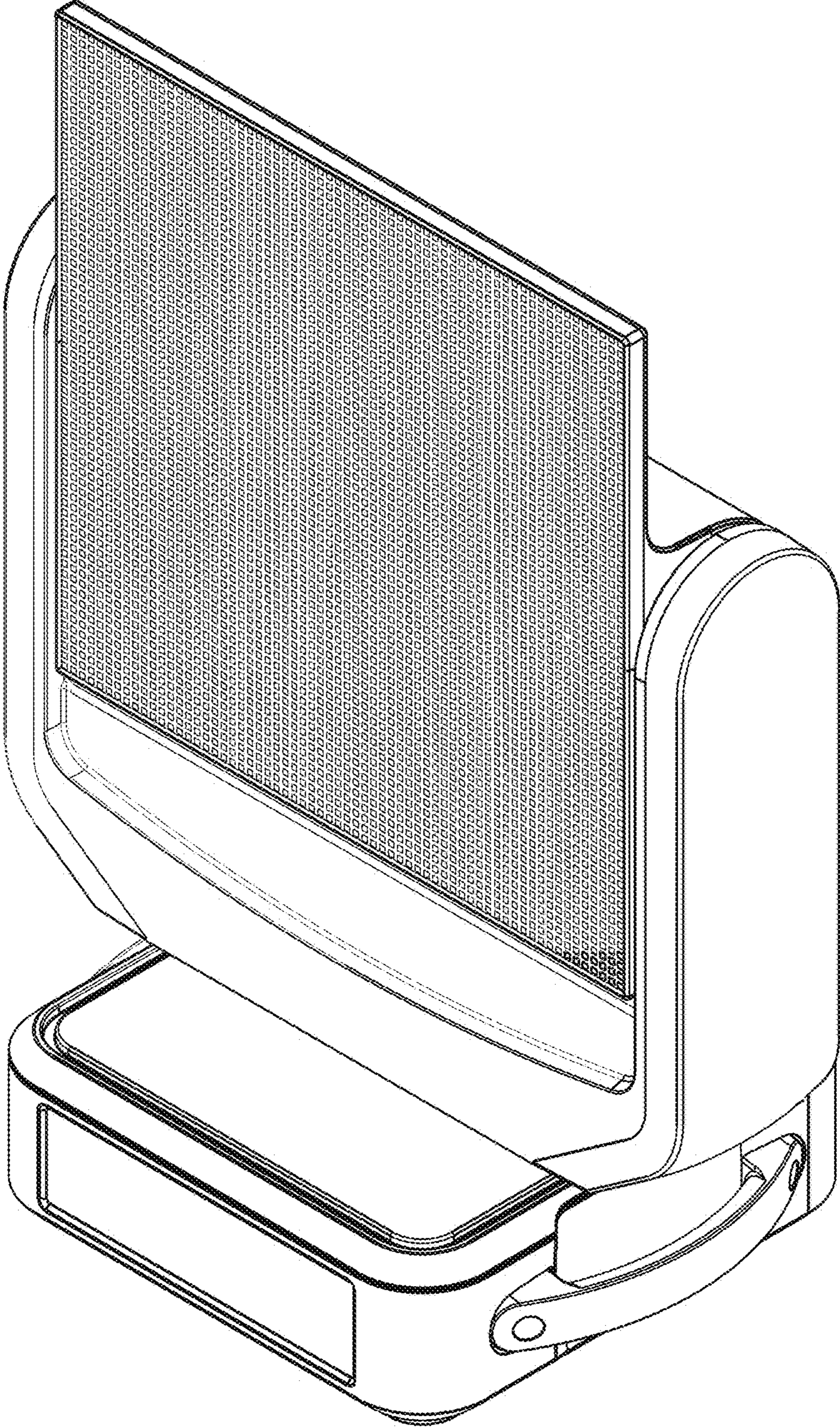


Fig. 2

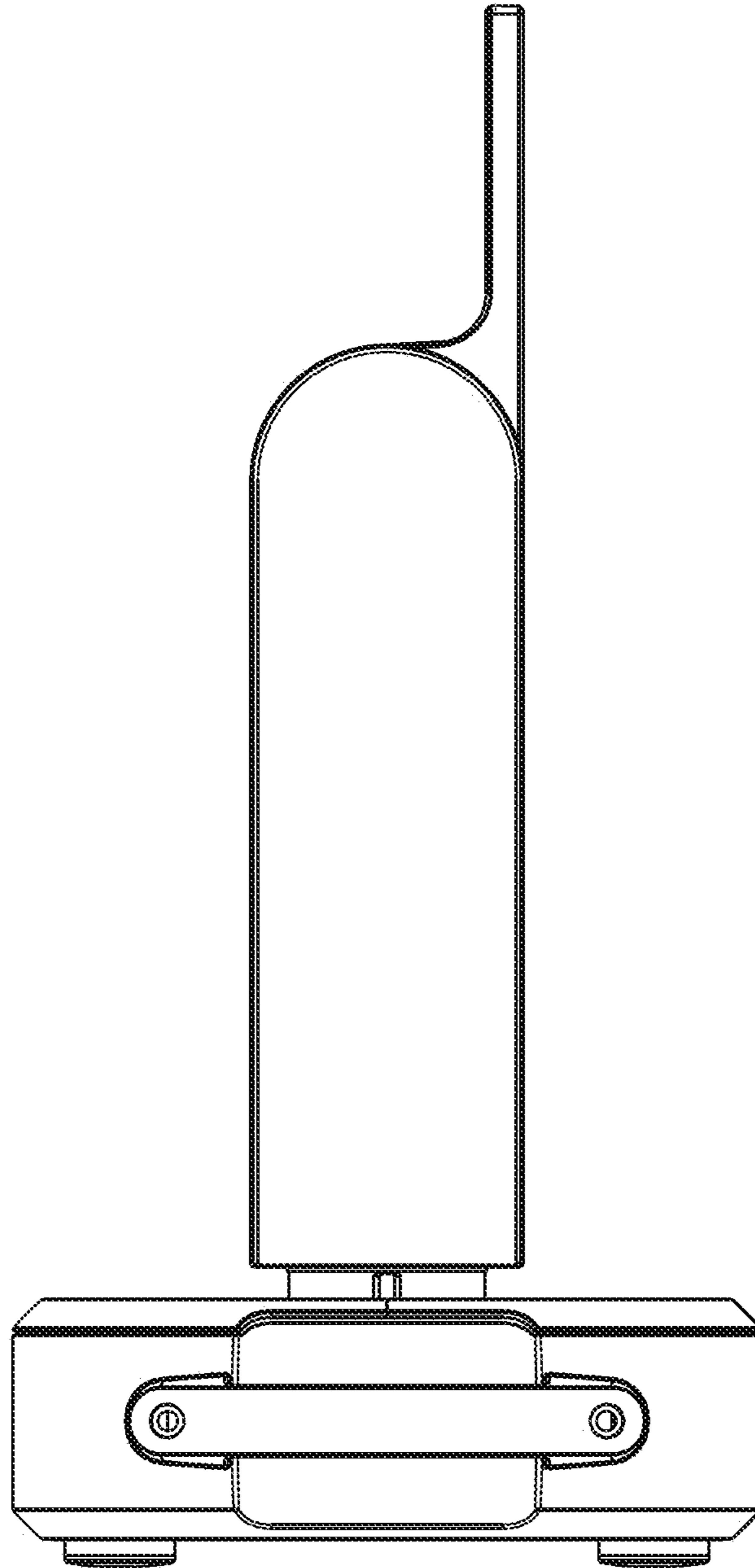


Fig. 3

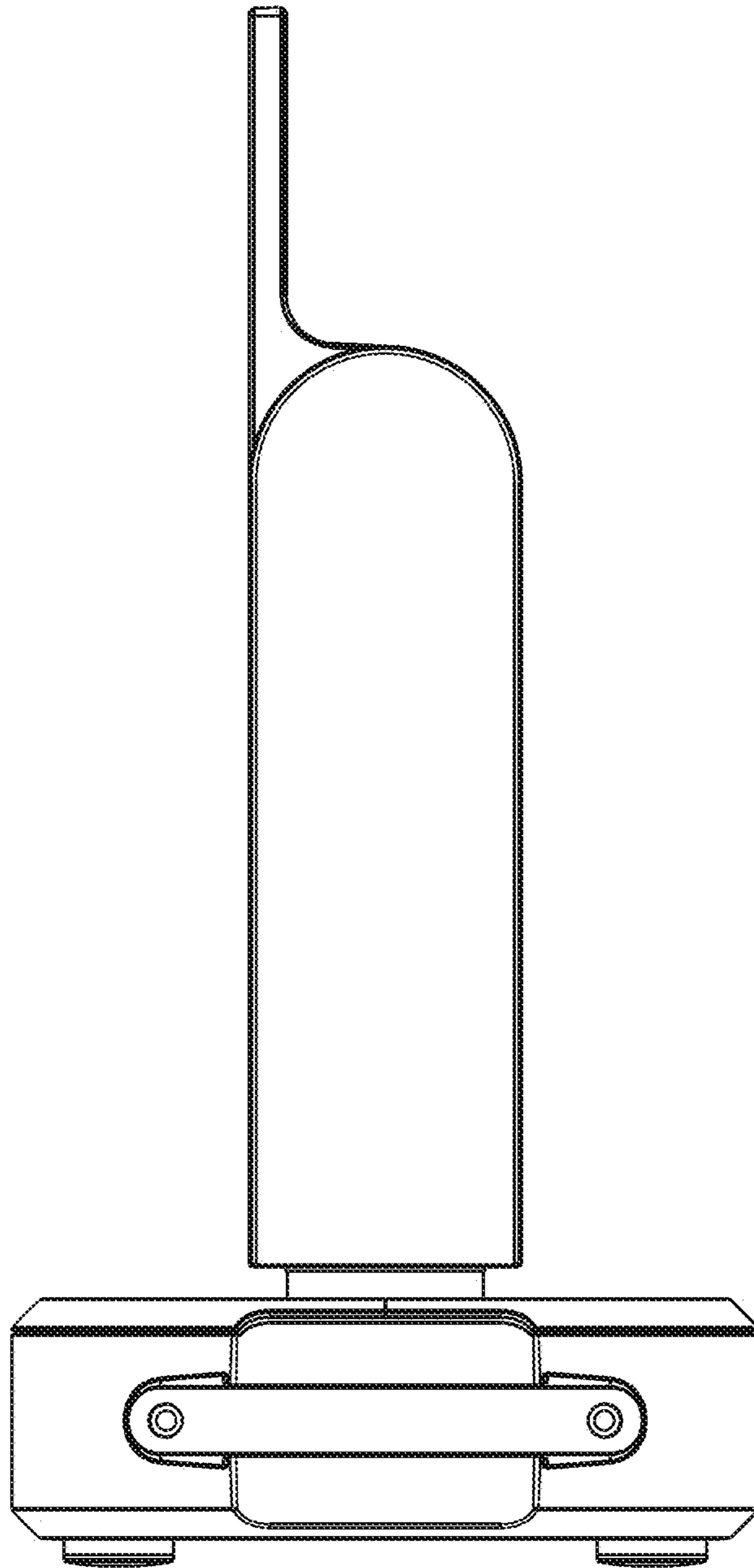


Fig. 4

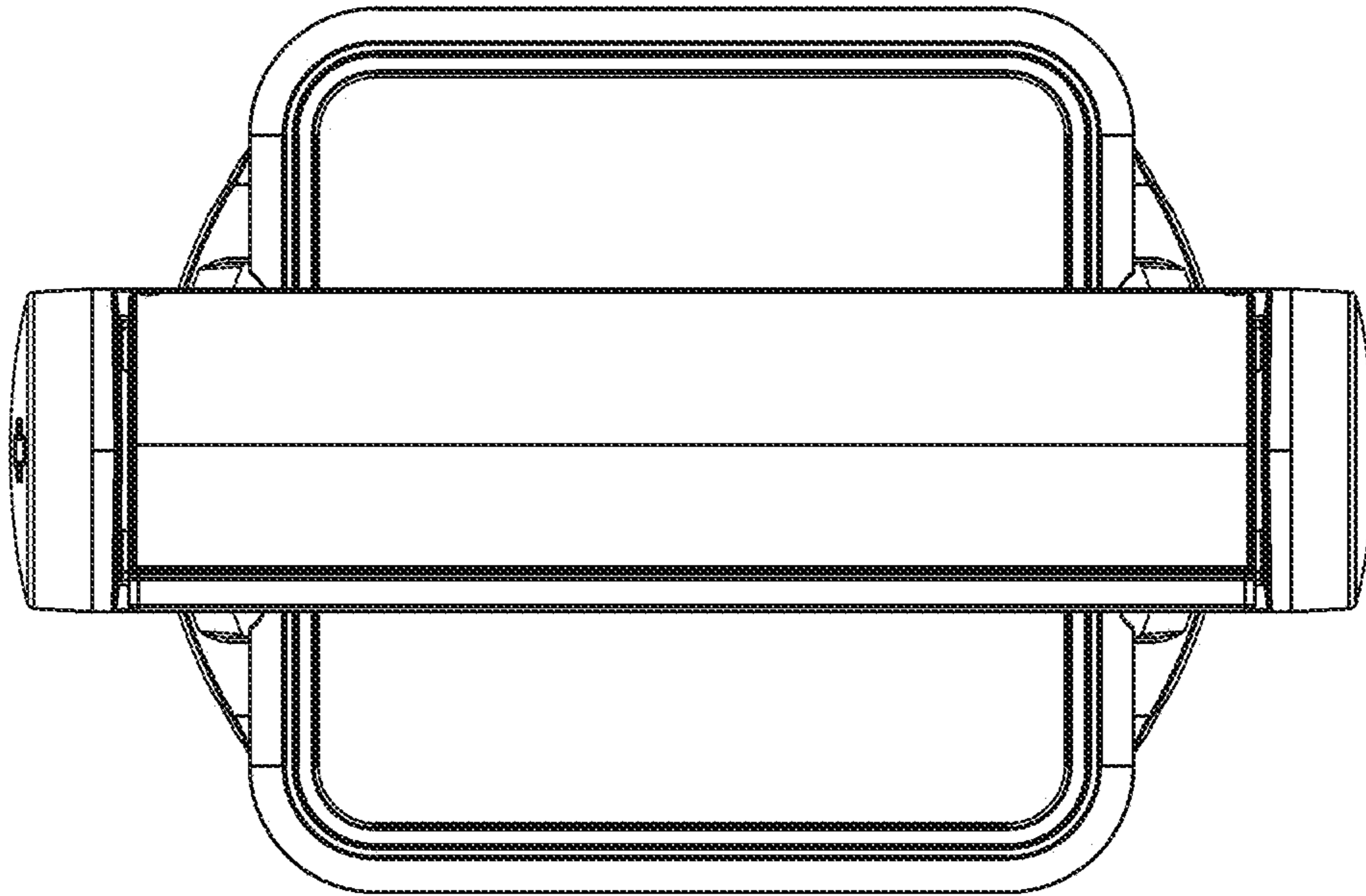


Fig. 5

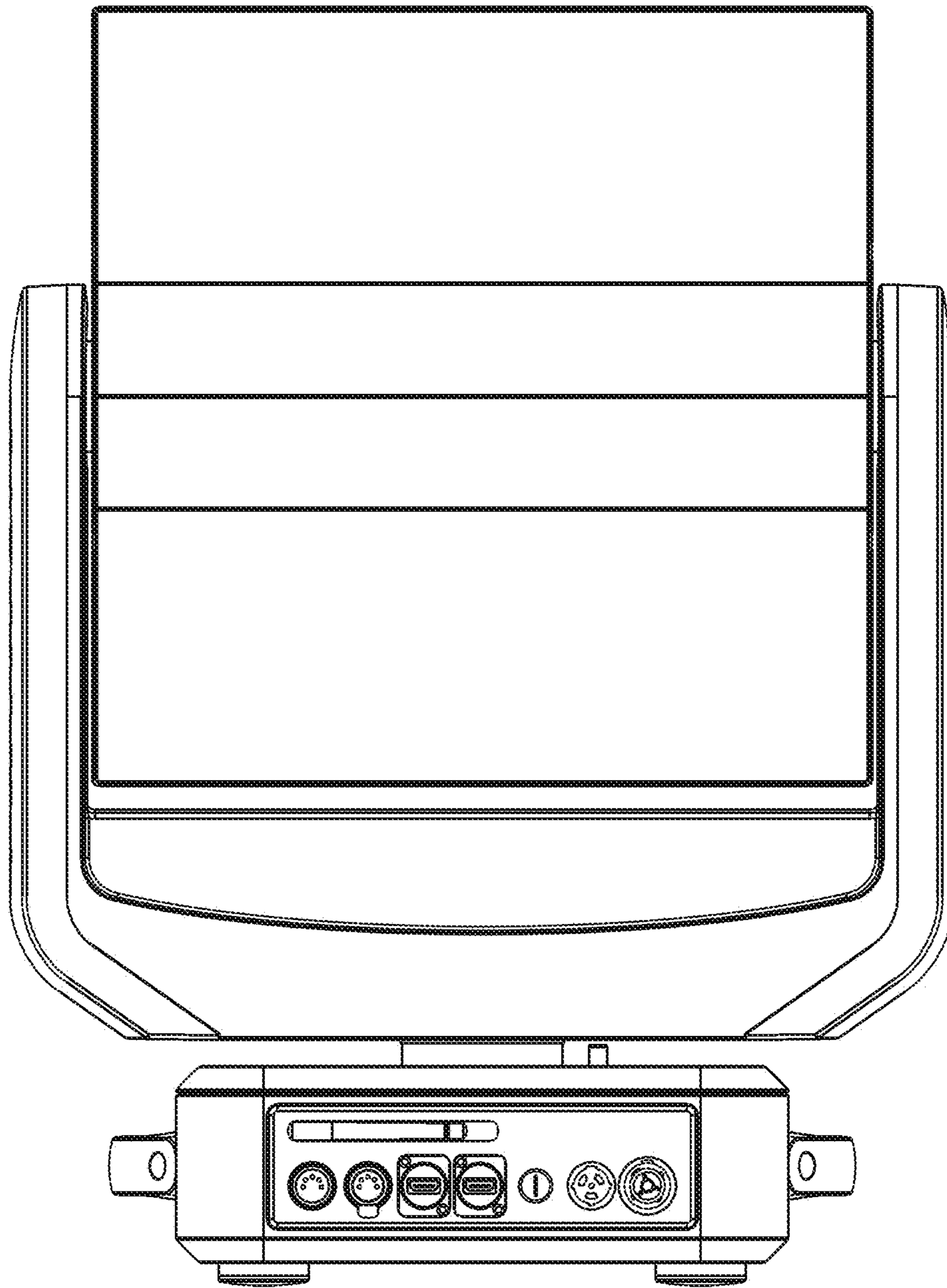


Fig. 6

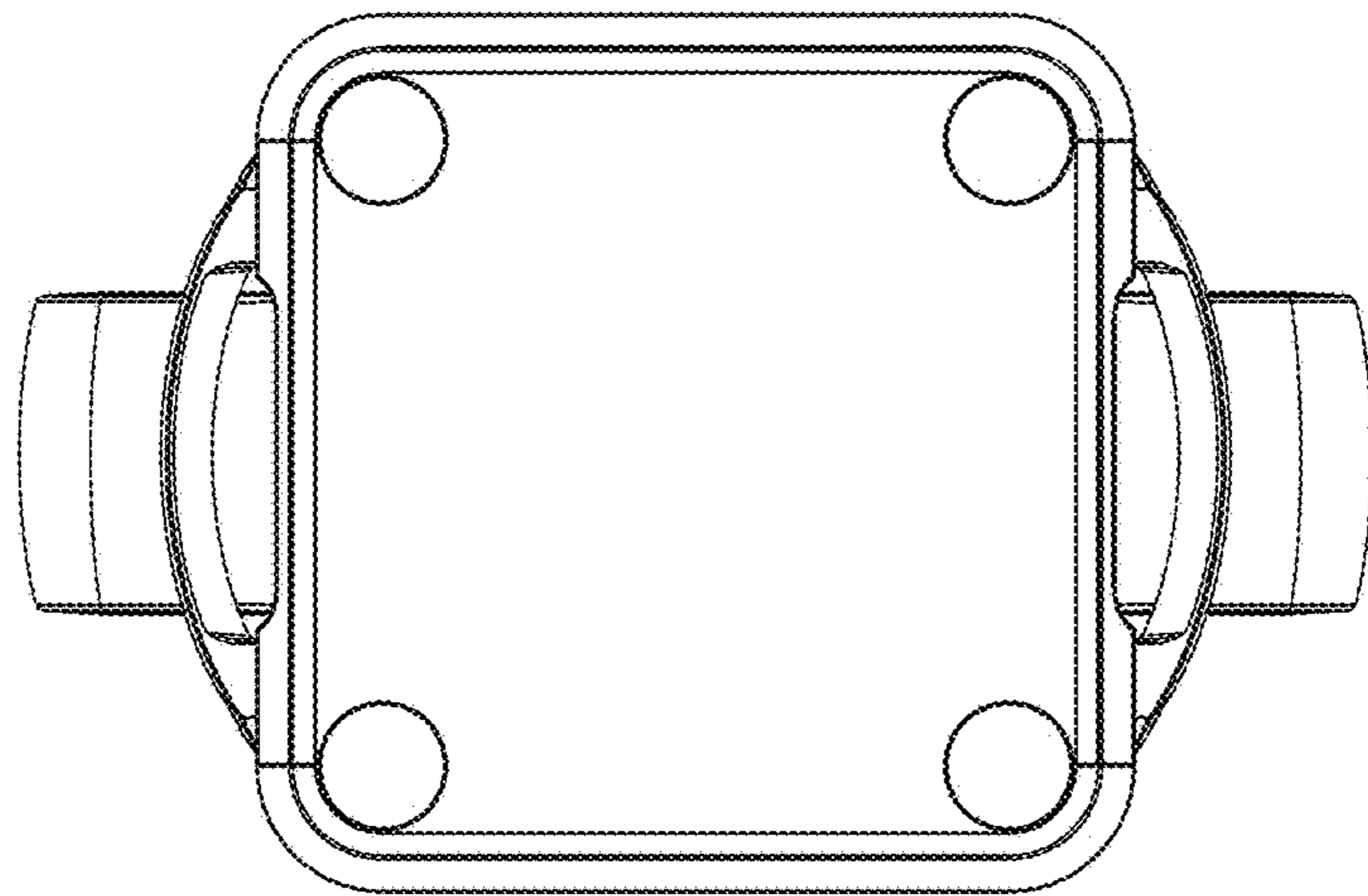


Fig. 7