



US00D788962S

(12) **United States Design Patent**
Edgar et al.

(10) **Patent No.:** **US D788,962 S**

(45) **Date of Patent:** **** Jun. 6, 2017**

(54) **LIGHT ASSEMBLY**

(71) Applicant: **Gold Crest LLC**, Santa Barbara, CA (US)

(72) Inventors: **Roger Edgar**, Santa Barbara, CA (US);
Chris Woodward, London (GB);
Carolyn Chase, Santa Barbara, CA (US); **Pat Richardson**, Santa Barbara, CA (US)

(73) Assignee: **Gold Crest LLC**, Santa Barbara, CA (US)

(**) Term: **15 Years**

(21) Appl. No.: **29/551,200**

(22) Filed: **Jan. 11, 2016**

(51) **LOC (10) Cl.** **26-03**

(52) **U.S. Cl.**
USPC **D26/60**

(58) **Field of Classification Search**
USPC D26/1, 24, 61, 62, 72, 93, 106, 118, 60
CPC F21S 6/00; F21S 6/002; F21S 6/003; F21S 6/004; F21S 6/005; F21S 6/006; F21S 6/007; F21V 21/02; F21V 21/088; F21W 2121/00; F21W 2131/30
See application file for complete search history.

(56) **References Cited**

U.S. PATENT DOCUMENTS

D290,519 S * 6/1987 Kuo D26/60
D472,659 S * 4/2003 Wang D26/63

D498,322 S * 11/2004 Schnell D26/60
D563,581 S * 3/2008 Niu D26/62
7,390,105 B2 * 6/2008 Nelson F21V 21/088
362/198
D630,358 S * 1/2011 Nelson D26/60
D636,918 S * 4/2011 Nelson D26/61
D753,868 S * 4/2016 Smith D26/118
D775,392 S * 12/2016 Law D26/61

* cited by examiner

Primary Examiner — Brian N Vinson

(74) *Attorney, Agent, or Firm* — Tsircou Law, PC.

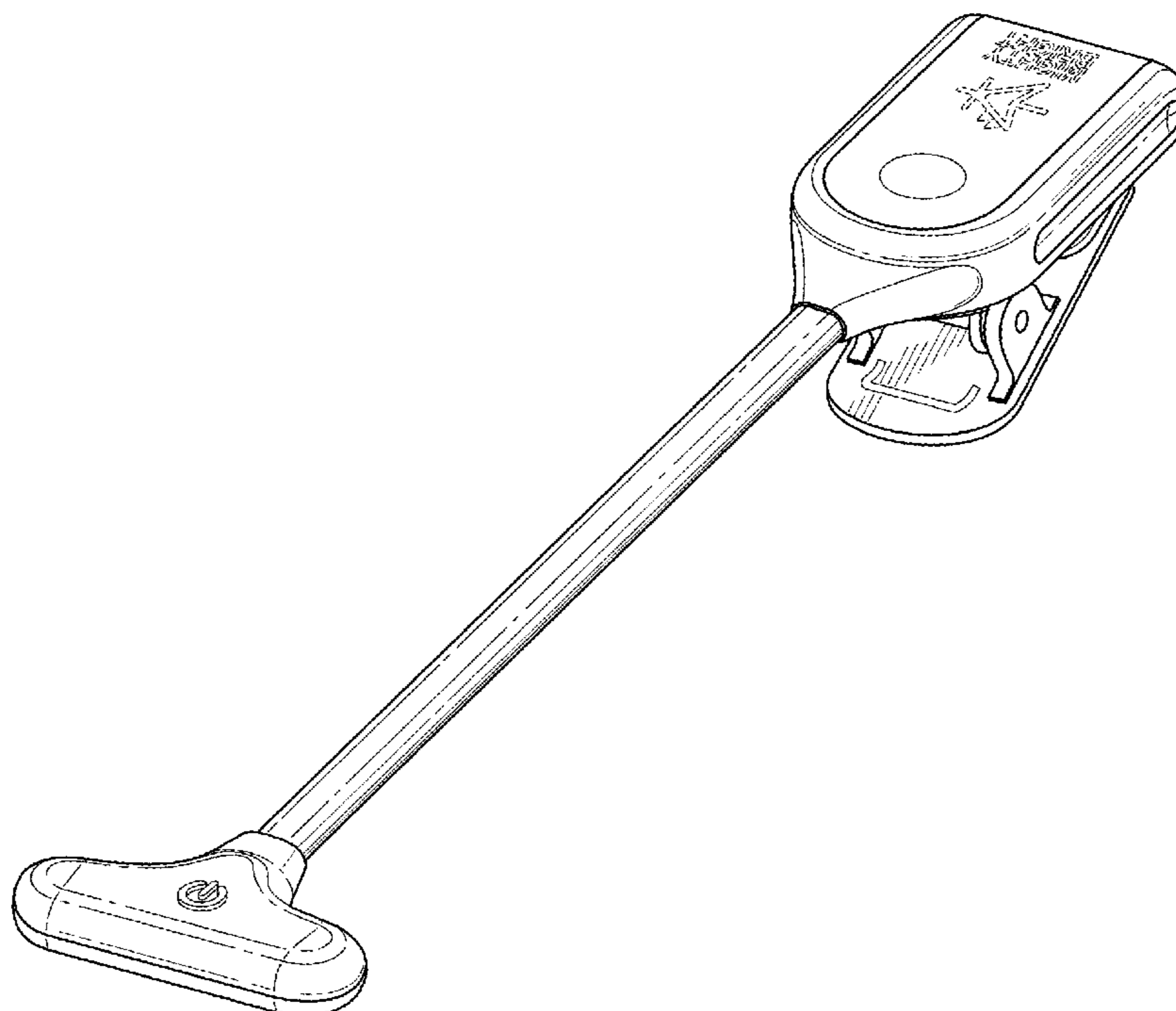
(57) **CLAIM**

We claim the ornamental design for a light assembly, as shown and described.

DESCRIPTION

FIG. 1 is a top-front-side perspective view of a light assembly in accordance with the new design.
FIG. 2 is a back view of the light assembly of FIG. 1.
FIG. 3 is a front view of the light assembly of FIG. 1.
FIG. 4 is a side view of the light assembly of FIG. 1, which is a mirror image of the opposite side.
FIG. 5 is a top view of the light assembly of FIG. 1, looking down at the head of the assembly; and,
FIG. 6 is a bottom view of the light assembly of FIG. 1, looking up at the body of the assembly.
Any dashed lines depict environmental aspects and form no part of the claimed design.

1 Claim, 3 Drawing Sheets



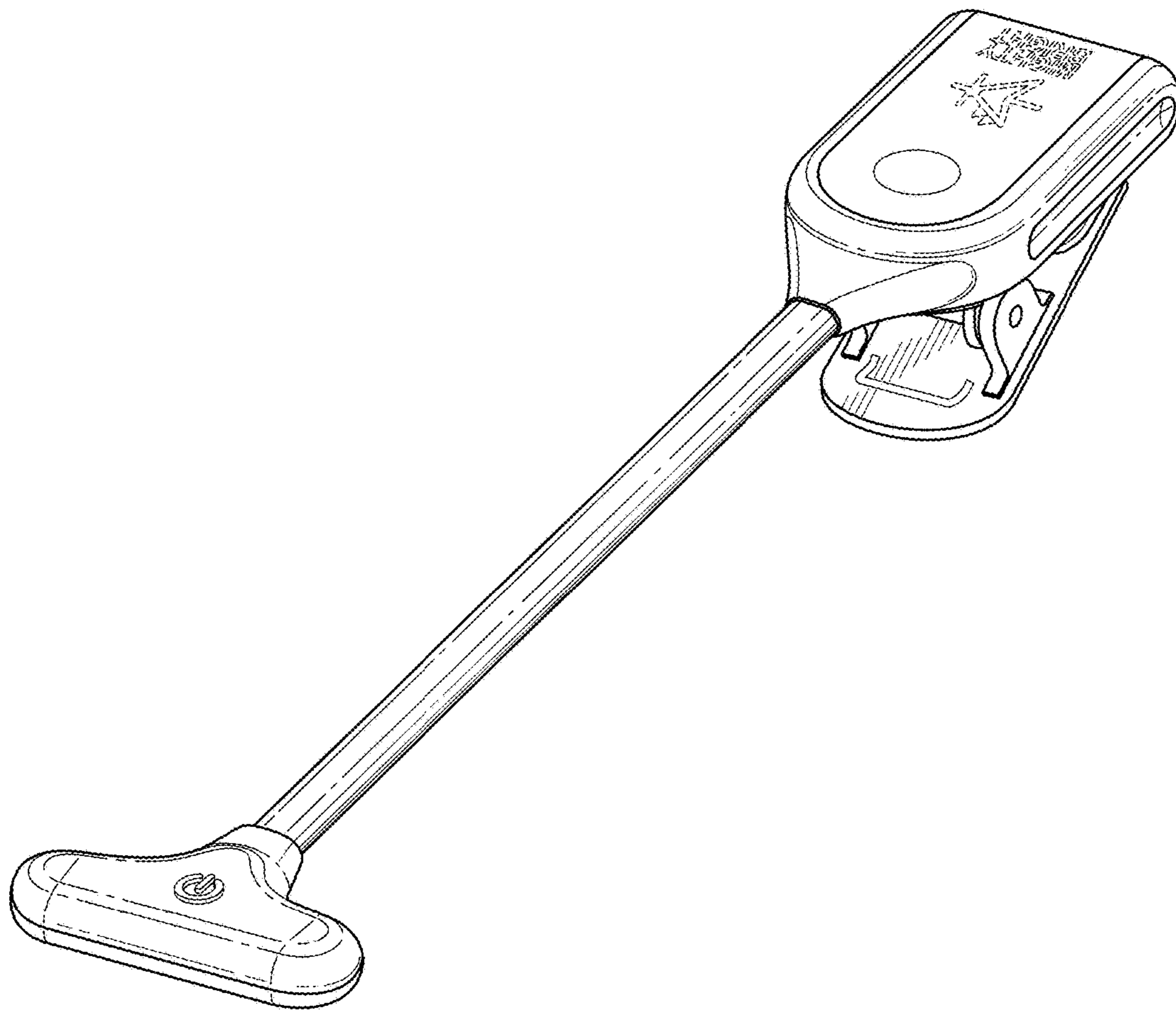


FIG. 1

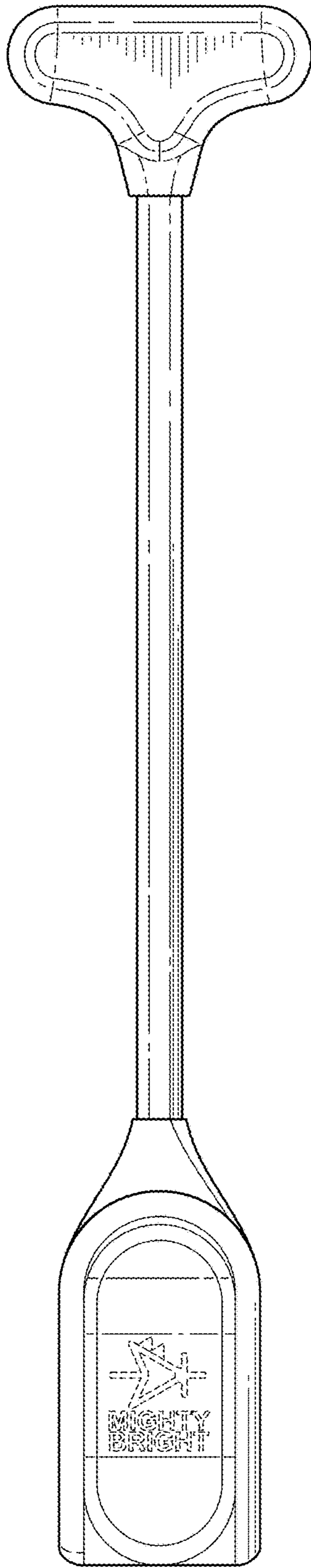


FIG. 2

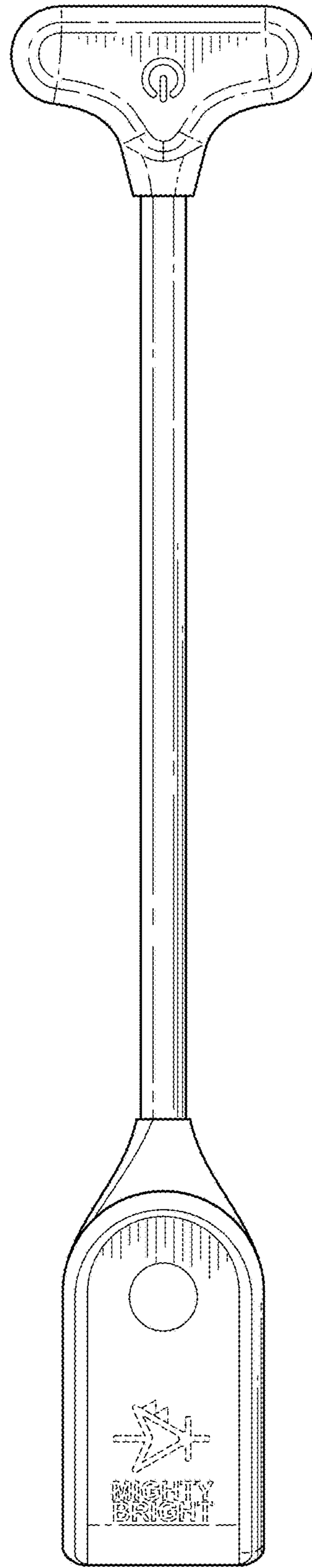


FIG. 3

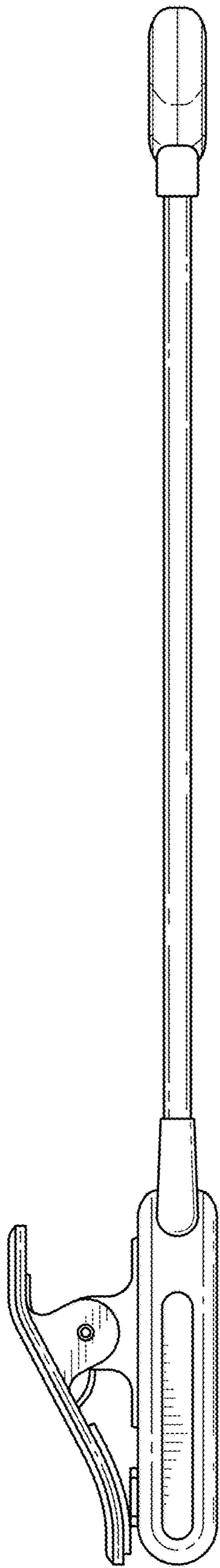


FIG. 4

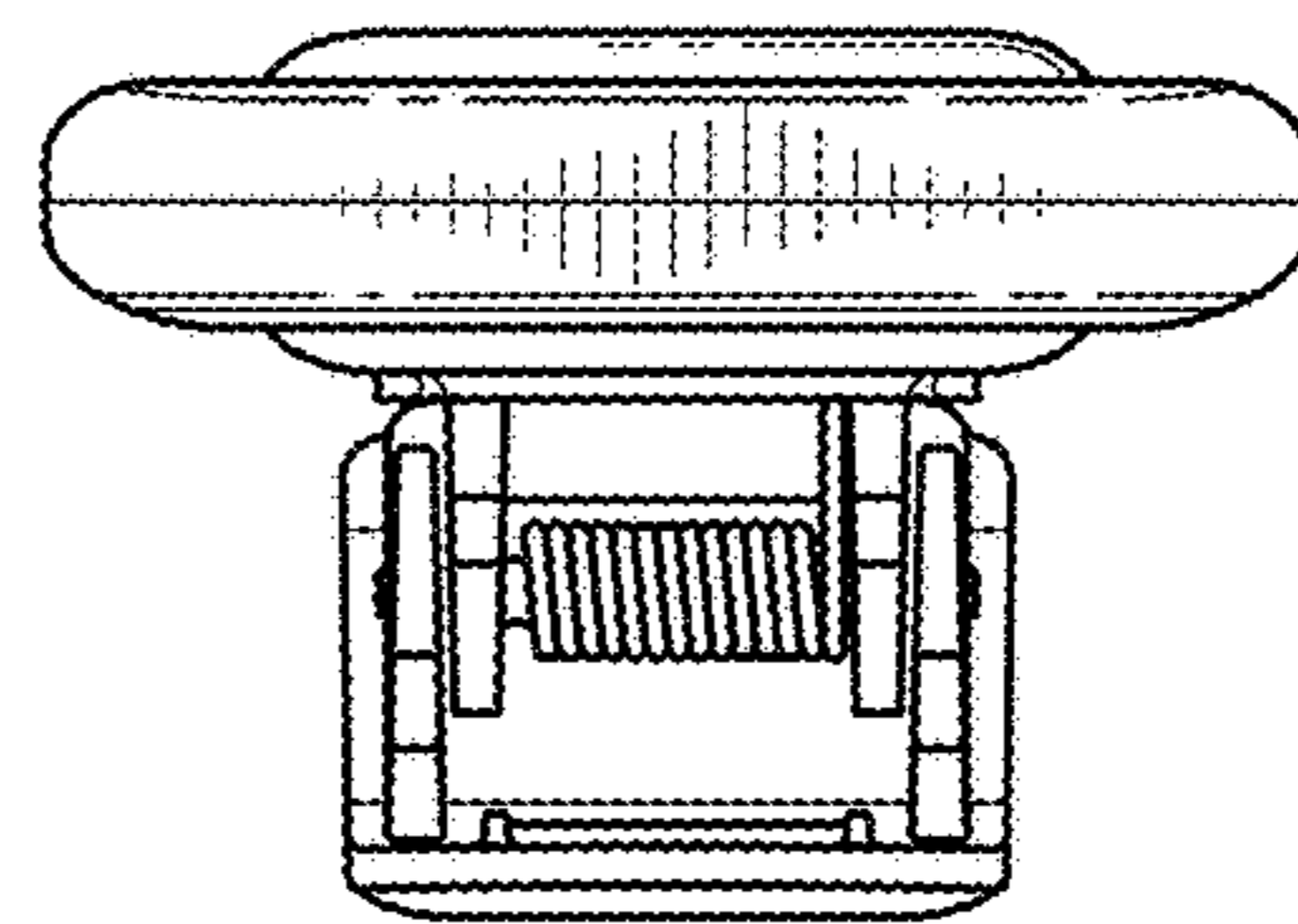


FIG. 5



FIG. 6