



US00D788960S

(12) **United States Design Patent**
Thompkin

(10) **Patent No.:** **US D788,960 S**

(45) **Date of Patent:** **** Jun. 6, 2017**

(54) **LANTERN**

(71) Applicant: **MerchSource, LLC**, Irvine, CA (US)

(72) Inventor: **Crispian Thompkin**, El Segundo, CA (US)

(73) Assignee: **MerchSource, LLC**, Irvine, CA (US)

(**) Term: **14 Years**

(21) Appl. No.: **29/518,623**

(22) Filed: **Feb. 25, 2015**

(51) **LOC (10) Cl.** **26-02**

(52) **U.S. Cl.**
USPC **D26/41**

(58) **Field of Classification Search**
USPC D26/40–45, 50, 37, 38, 49; 362/157,
362/158, 183, 184, 194–196, 200–208,
362/174–176

CPC F21L 2003/00; F21L 4/00; F21L 4/005;
F21L 4/02; F21L 4/025; F21L 4/027;
F21L 4/04; F21L 4/08; F21L 2005/00;
F21L 7/00; F21L 11/00; F21L 13/00;
F21L 13/04; F21L 13/08; F21L 14/02;
F21L 17/00; F21L 19/00; F21L 25/00

See application file for complete search history.

(56) **References Cited**

U.S. PATENT DOCUMENTS

D429,354 S * 8/2000 Petterson D26/40
D450,867 S * 11/2001 Long D26/37

D486,931 S * 2/2004 Lee D26/38
D542,953 S * 5/2007 Lee D26/40
D556,928 S * 12/2007 Poon D26/40
D559,418 S * 1/2008 Poon D26/40
D599,923 S * 9/2009 Shiu D26/40
D604,436 S * 11/2009 Poon D26/40
D621,536 S * 8/2010 Lee D26/41
D650,105 S * 12/2011 Crawford D26/41
D670,013 S * 10/2012 Bertken D26/40
D670,014 S * 10/2012 Bertken D26/40

* cited by examiner

Primary Examiner — Ian Simmons

Assistant Examiner — Carissa C Fitts

(74) *Attorney, Agent, or Firm* — Avyno Law P.C.

(57) **CLAIM**

I claim the ornamental design for a lantern, as shown and described.

DESCRIPTION

FIG. 1 is a perspective view of a lantern.
FIG. 2 is a front view of the lantern of FIG. 1.
FIG. 3 is a rear view of the lantern of FIG. 1.
FIG. 4 is a side view of the left side of the lantern of FIG. 1.
FIG. 5 is a side view of the right side of the lantern of FIG. 1.
FIG. 6 is a top view of the lantern of FIG. 1; and,
FIG. 7 is a bottom view of the lantern of FIG. 1.
The broken line showing represents portions of the article not claimed and forms no part of the claimed design.

1 Claim, 6 Drawing Sheets

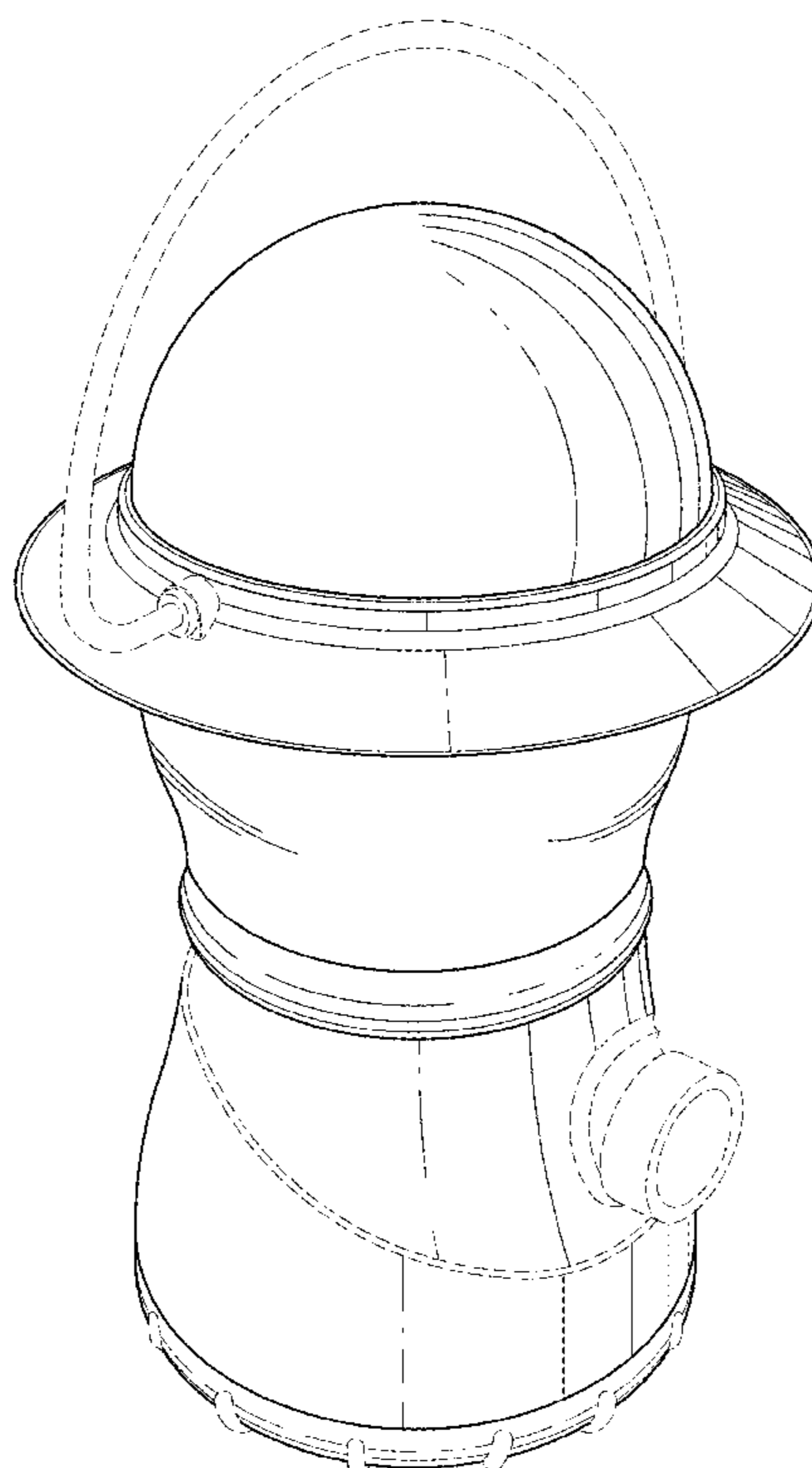


FIG. 1

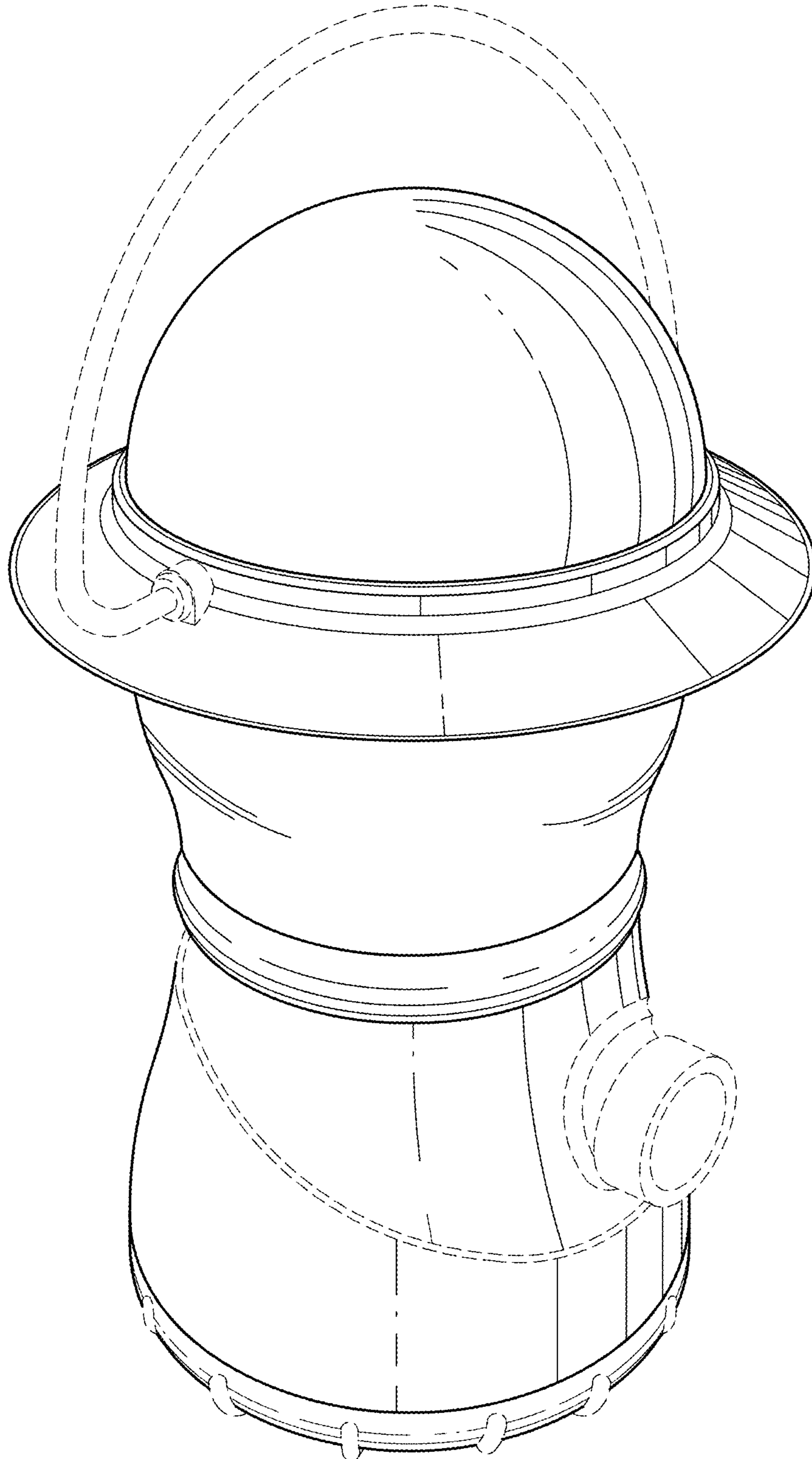


FIG. 2

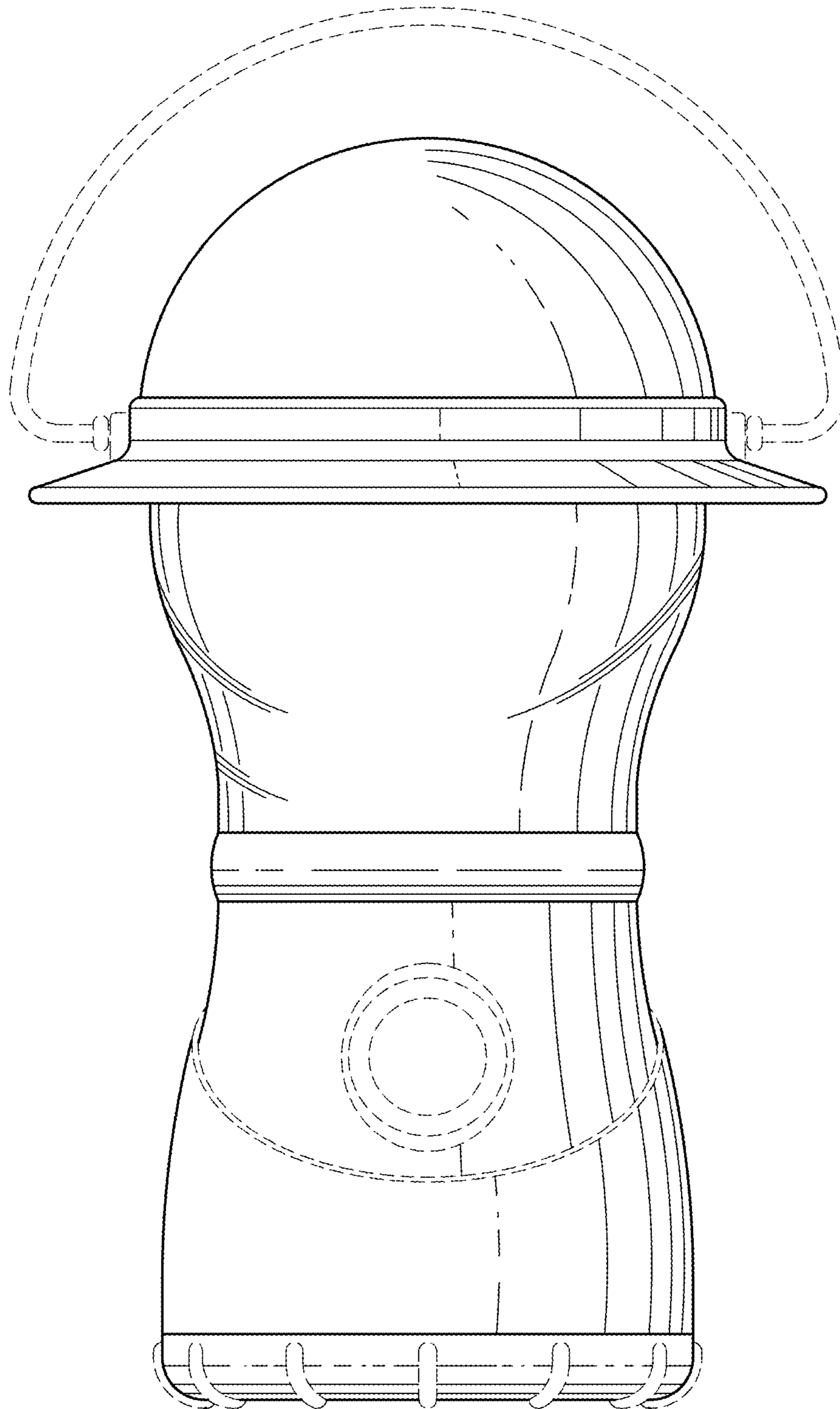


FIG. 3

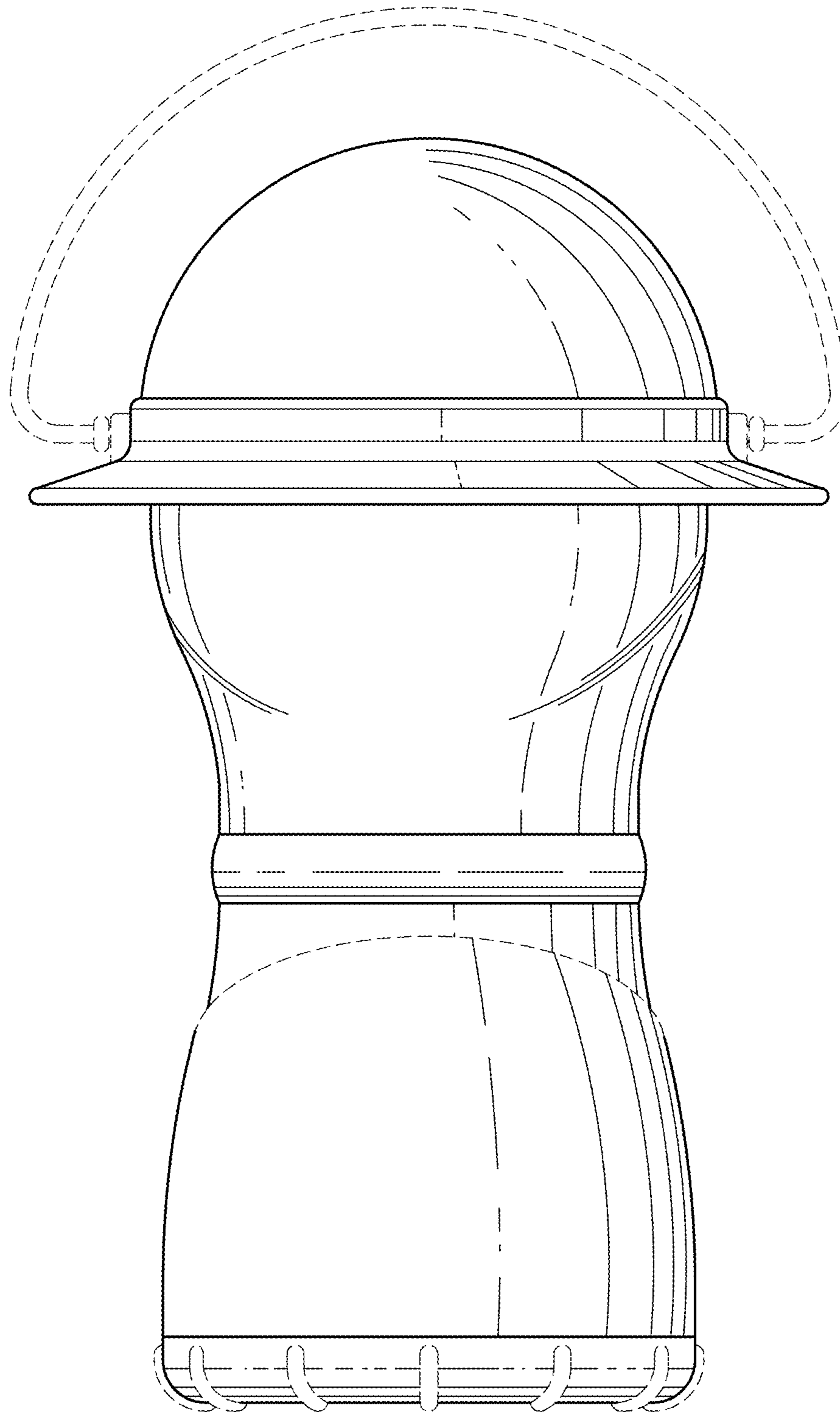


FIG. 4

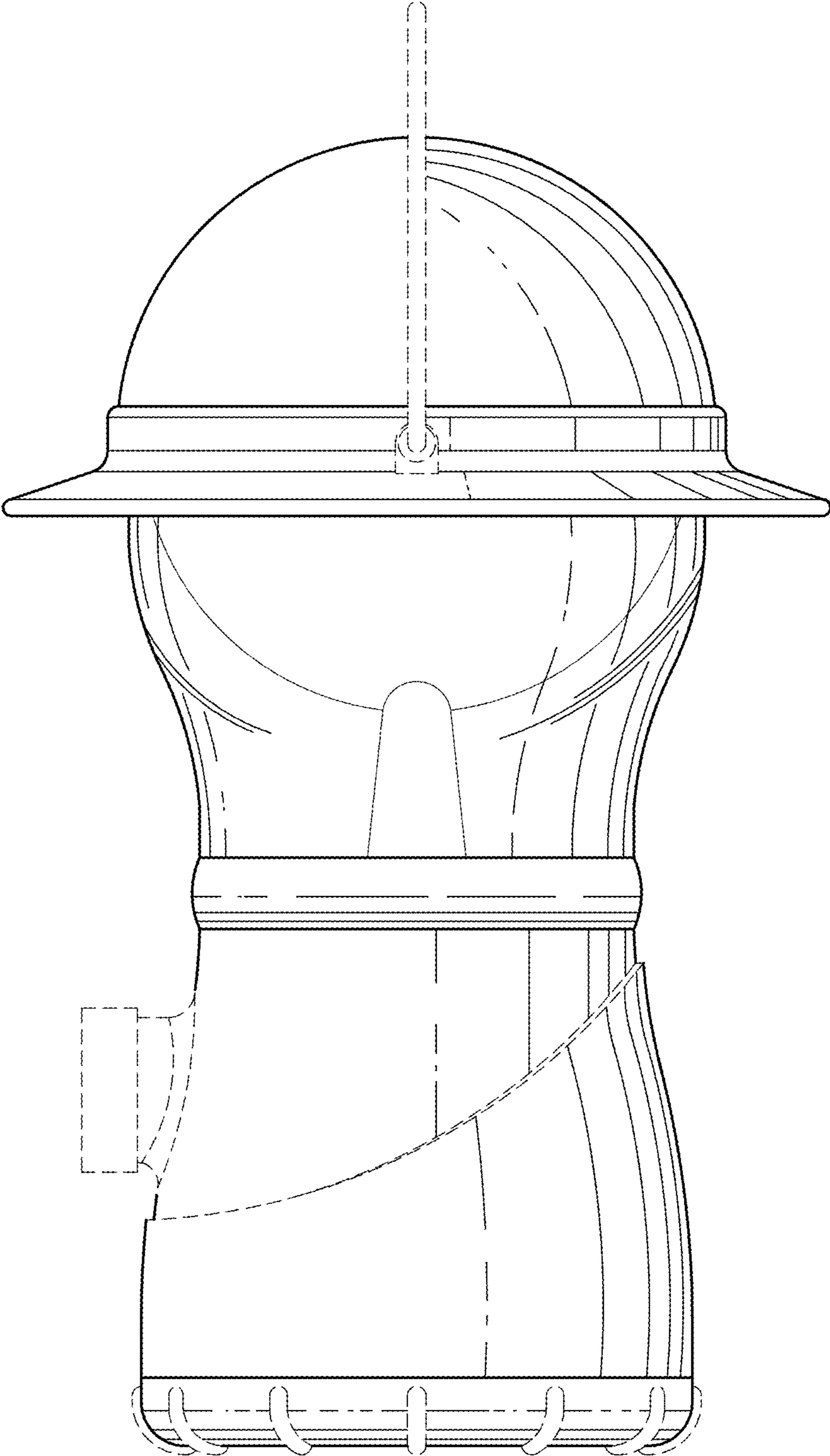


FIG. 5

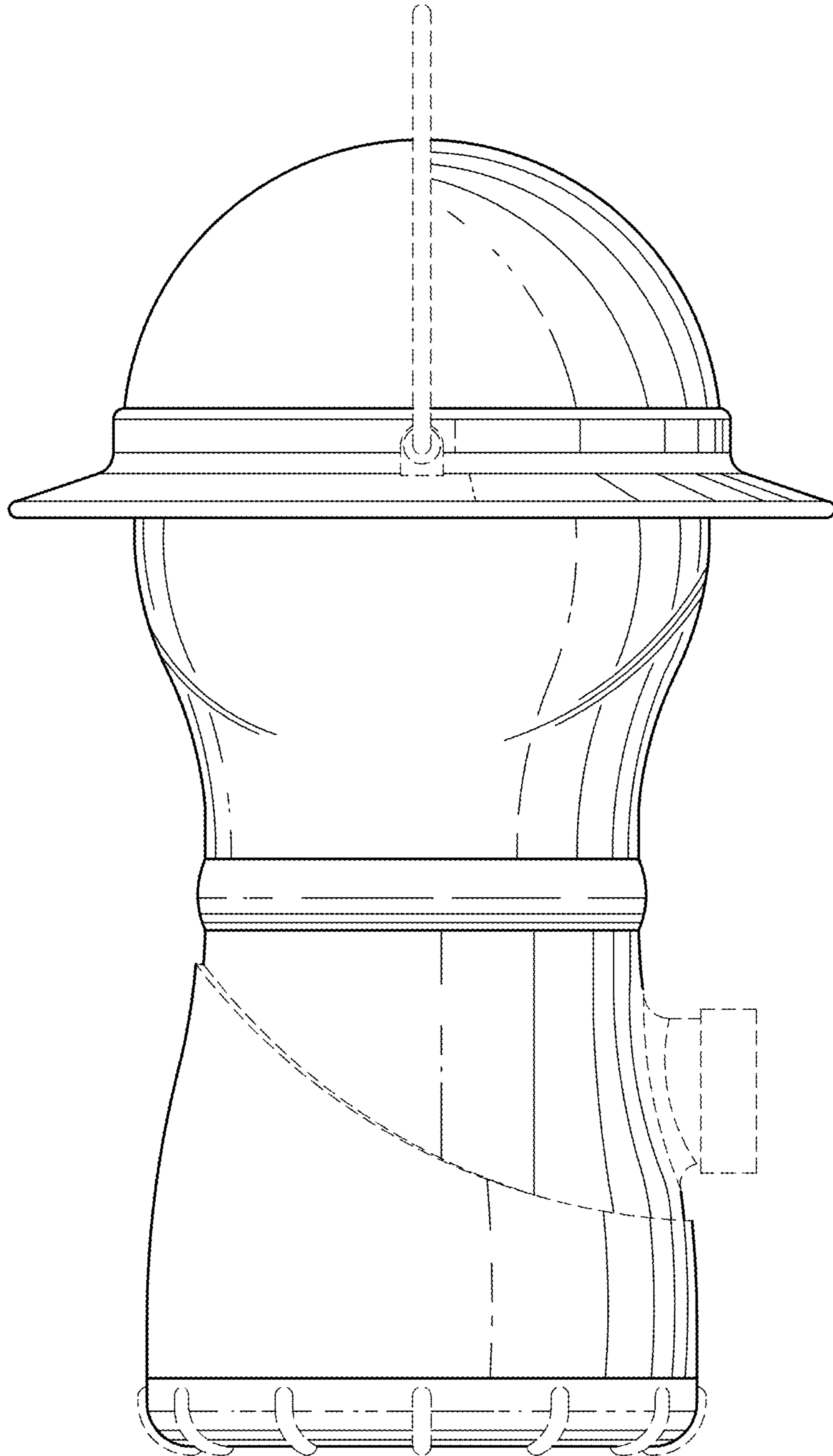


FIG. 6

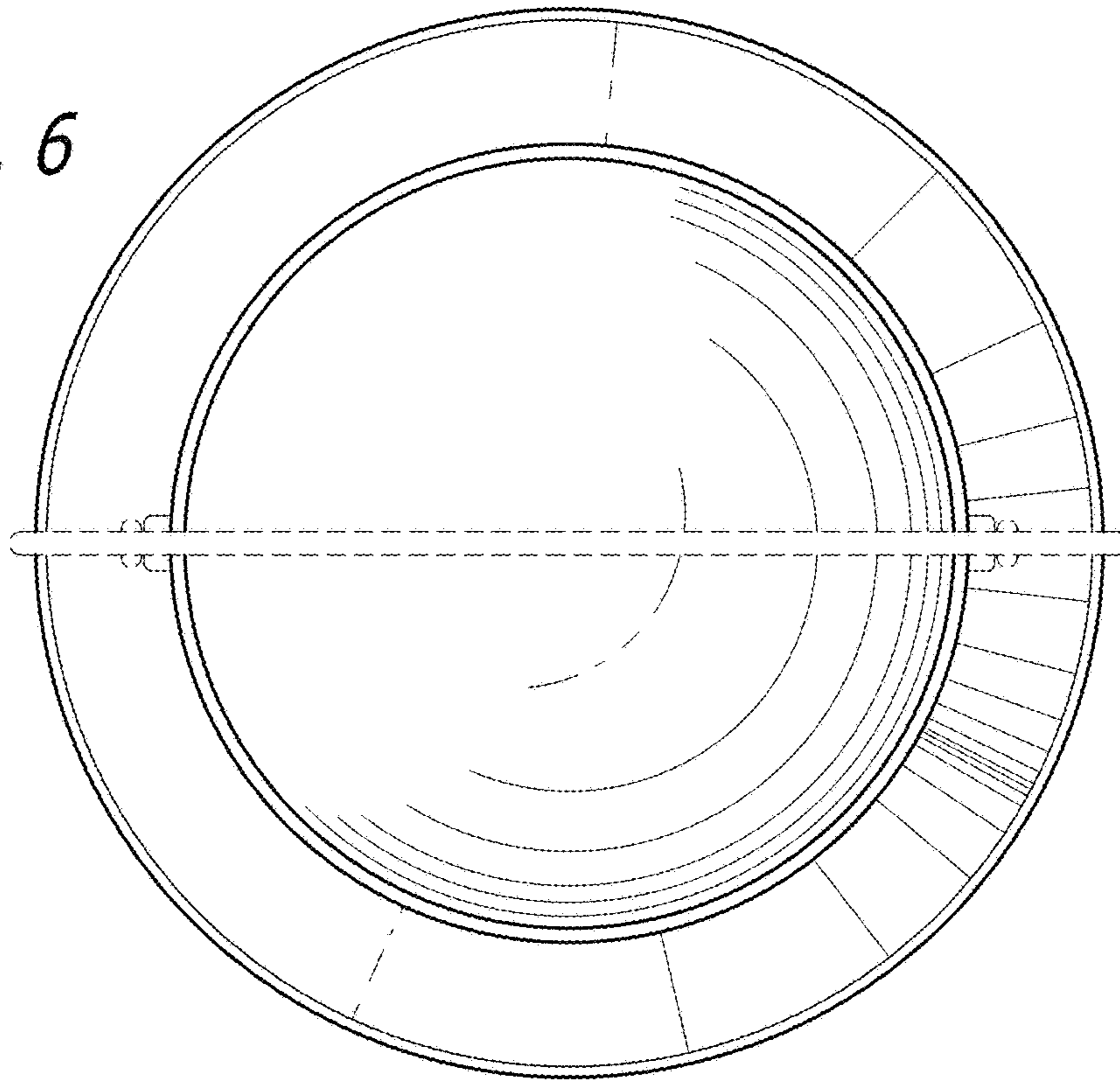


FIG. 7

