



US00D788959S

(12) **United States Design Patent** (10) **Patent No.:** **US D788,959 S**
Sheikh et al. (45) **Date of Patent:** **** Jun. 6, 2017**

(54) **COMBINATION FLASHLIGHT AND STUN GUN**

(71) Applicants: **Yasar Sheikh**, Sanford, FL (US);
Shabbir Sheikh, Sanford, FL (US)

(72) Inventors: **Yasar Sheikh**, Sanford, FL (US);
Shabbir Sheikh, Sanford, FL (US)

(**) Term: **14 Years**

(21) Appl. No.: **29/487,990**

(22) Filed: **Apr. 14, 2014**

(51) **LOC (10) Cl.** **26-02**

(52) **U.S. Cl.**
USPC **D26/38**

(58) **Field of Classification Search**
USPC D26/37, 49, 51, 38, 39, 44, 45; 362/157,
362/158, 202-208; D22/117
CPC F21V 33/00; F21V 14/025; F21V 21/406;
F21Y 2101/02; F21L 17/00; F21L 13/08
See application file for complete search history.

(56) **References Cited**

U.S. PATENT DOCUMENTS

4,968,034 A	11/1990	Hsieh	
D513,334 S	12/2005	Galey	
D541,454 S	4/2007	Galey	
7,278,764 B2	10/2007	Kim	
D565,769 S	4/2008	Shiu	
D578,236 S	10/2008	Dalton	
D585,577 S	1/2009	Bonis	
D586,025 S	2/2009	Bonis	
D595,439 S *	6/2009	Haight et al.	D26/49
D599,928 S *	9/2009	Shiu	D26/49
D601,736 S	10/2009	Swan	
D603,988 S	11/2009	Sharrah	
D611,115 S	3/2010	Pennington	
D629,542 S	12/2010	Robinson	
D629,544 S	12/2010	Deguglimo et al.	
D629,546 S	12/2010	Deguglimo et al.	

D646,008 S *	9/2011	Couture	D26/49
D646,346 S	10/2011	Rae	
D647,232 S	10/2011	Liu	
D647,654 S	10/2011	Li	
D648,467 S	11/2011	Nguyen et al.	
D649,670 S	11/2011	Robinson	
D659,869 S *	5/2012	Prieto	D26/49
D659,870 S *	5/2012	Cooper	D26/49
D666,344 S	8/2012	Lee	
D671,249 S	11/2012	Sheikh et al.	

(Continued)

OTHER PUBLICATIONS

The Home Security Superstore, <http://www.thehomesecuritysuperstore.com/stun-guns-flashlight-stun-guns-sub=38>.

(Continued)

Primary Examiner — Lakiya Rogers
Assistant Examiner — Carissa C Fitts
(74) *Attorney, Agent, or Firm* — QuickPatents, LLC;
Kevin Prince

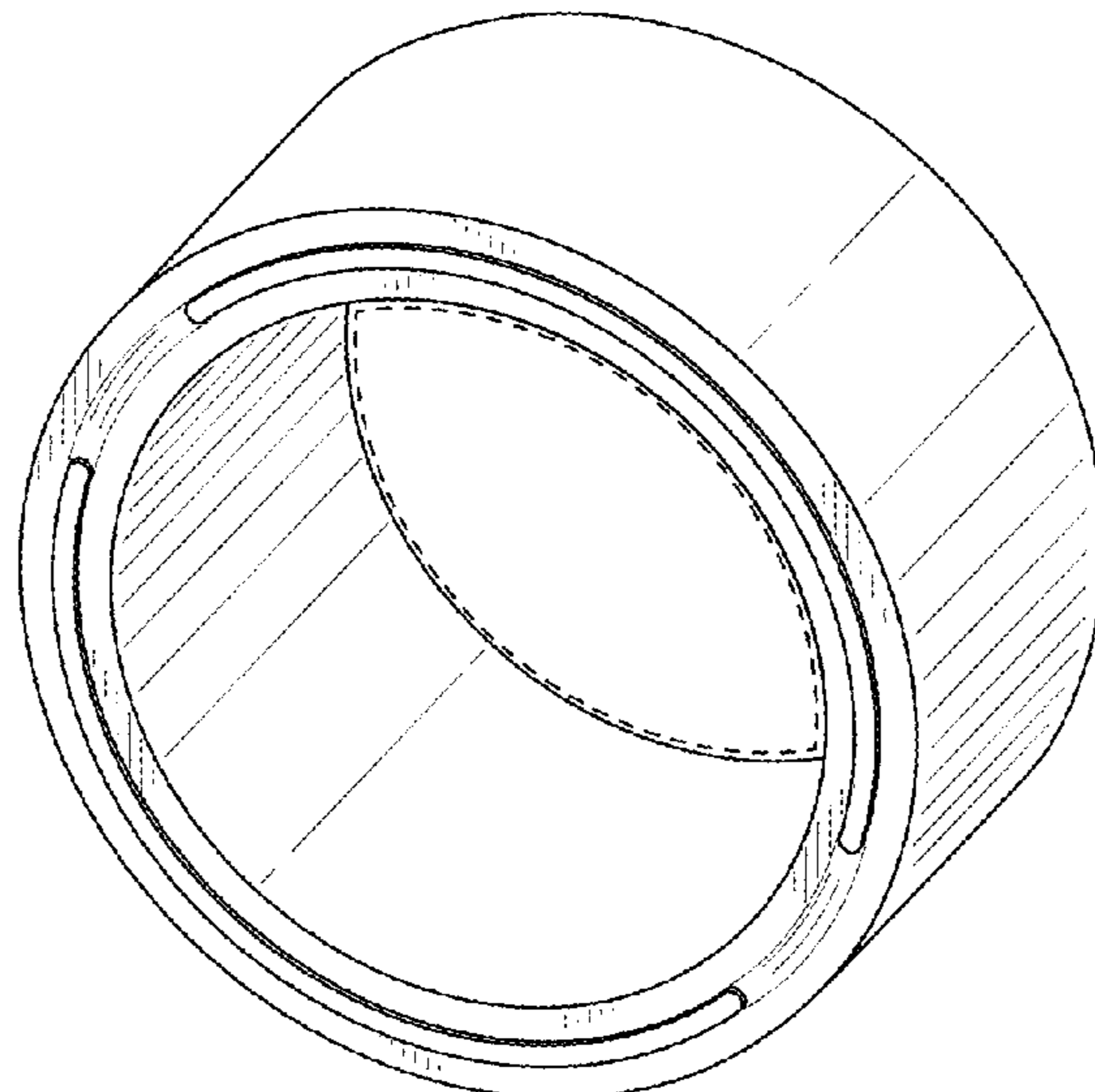
(57) **CLAIM**

We claim the ornamental design for a combination flashlight and stun gun, as shown and described.

DESCRIPTION

FIG. 1 is a perspective view of a combination flashlight and stun gun, showing our new design;
FIG. 2 is a front elevational view thereof;
FIG. 3 is a left-side elevational view thereof, the right-side elevational view being a mirror image thereof; and,
FIG. 4 is a top plan view thereof, the bottom plan view being a mirror image thereof.
The broken lines in the figures depict portions of the combination flashlight and stun gun that form no part of the claimed design.

1 Claim, 1 Drawing Sheet



(56)

References Cited

U.S. PATENT DOCUMENTS

D674,943	S	1/2013	Sheikh et al.	
D680,251	S *	4/2013	Stewart	D26/49
D685,940	S *	7/2013	Lee	D26/49
D709,232	S *	7/2014	Inskeep	D26/49
D713,576	S *	9/2014	Popper	D26/113
D719,694	S *	12/2014	Nawaz	D22/117
D725,302	S *	3/2015	Popper	D26/49
D736,975	S *	8/2015	Tang	D22/117
D738,020	S *	9/2015	Sheikh	D22/117
D739,060	S *	9/2015	Chouprinov	D22/117
D742,048	S *	10/2015	Sheikh	D22/117
D747,521	S *	1/2016	Sheikh	D22/117
D748,309	S *	1/2016	Cheng	D22/117
D750,306	S *	2/2016	Windom	D26/49
9,324,218	B2 *	4/2016	Stewart	G08B 7/00
D755,429	S *	5/2016	Huang	D22/117
D759,279	S *	6/2016	Brands	D26/113
D767,805	S *	9/2016	Son	D26/49
2004/0136185	A1 *	7/2004	Sharrah	F21L 4/005 362/202

OTHER PUBLICATIONS

The Home Security Superstore, "Perfume Protector Rechargeable 1M," <http://www.thehomesecuritysuperstore.com/stun-guns-for-women-perfume-protector-rechargeable-1m-swpp1000r-p=3149>.

<http://www.thehomesecuritysuperstore.com/baton-stun-guns-night-stick-18-inch-stun-baton-7m-swb7000r-p=3938>.

<http://www.thehomesecuritysuperstore.com/baton-stun-guns-peacemaker-14.25-inch-stun-baton-6m-swb6000r-p=3152>.

<http://www.thehomesecuritysuperstore.com/baton-stun-guns-18-inch-rechargeable-stun-baton-800k-swb800r-p=2417>.

The Home Security Superstore, "Police Force Stun Flashlight 5M", <http://www.thehomesecuritysuperstore.com/flashlight-stun-guns-police-force-stun-flashlight-5m-swpf5000r-p=3719>.

The Home Security Superstore, "Stun Flashlight Rechargeable 300K", <http://www.thehomesecuritysuperstore.com/flashlight-stun-guns-stun-flashlight-rechargeable-300k-g105-p=3683>.

The Home Security Superstore, "Stun Flashlight Rechargeable 2.9M", <http://www.thehomesecuritysuperstore.com/flashlight-stun-guns-stun-flashlight-rechargeable-2.9m-sg-gd2900f-p=2437>.

* cited by examiner

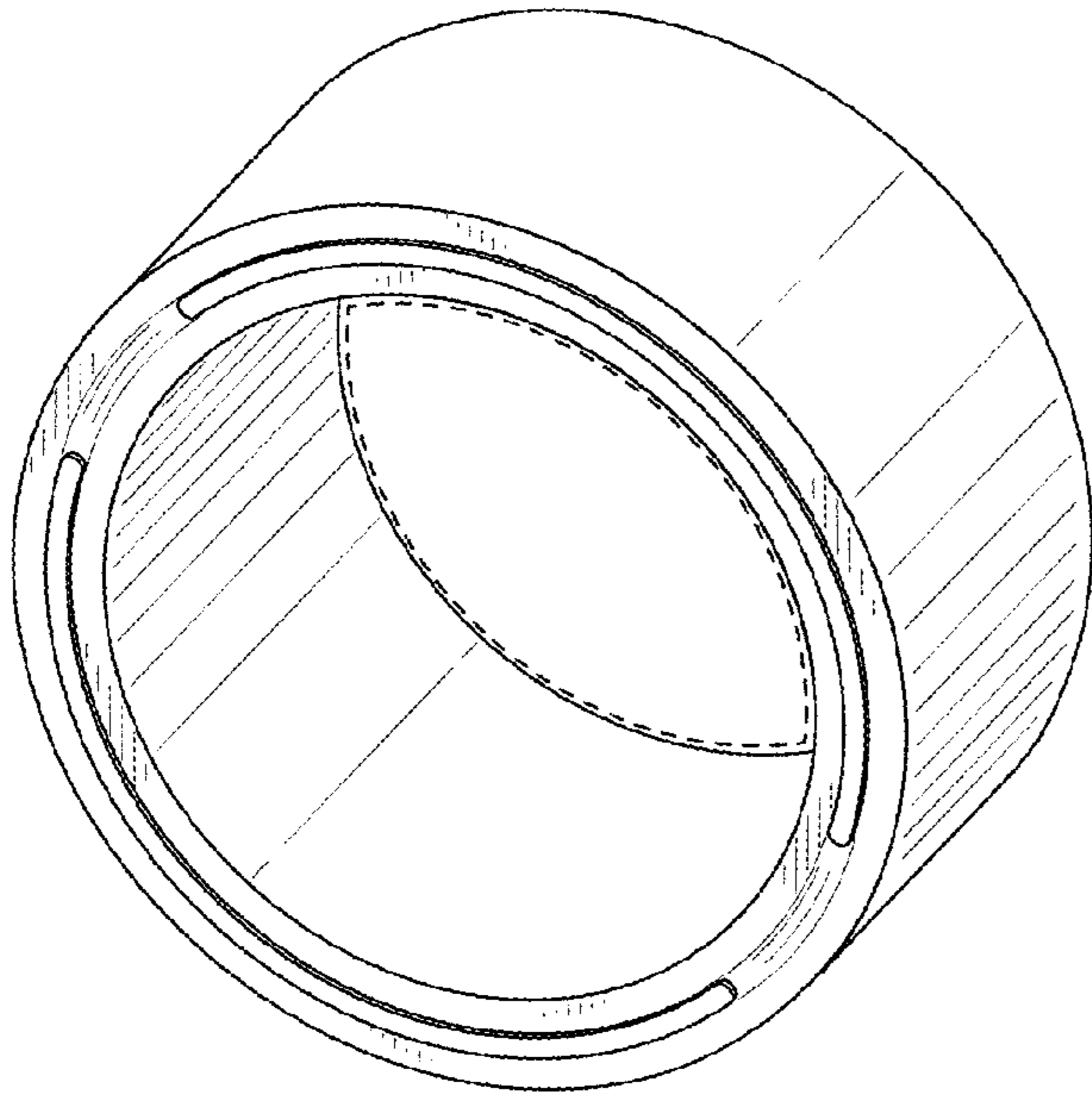


FIG. 1

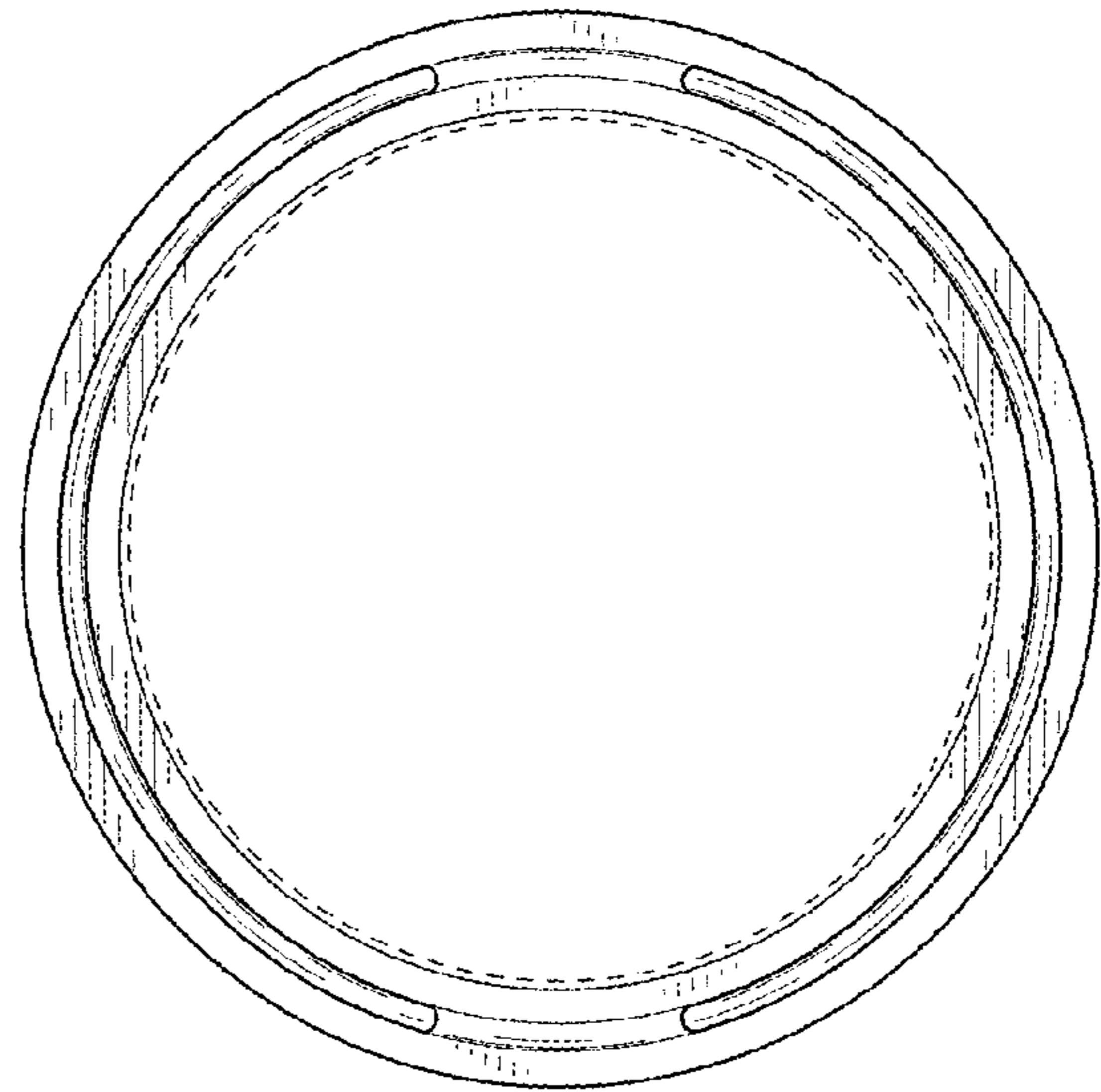


FIG. 2

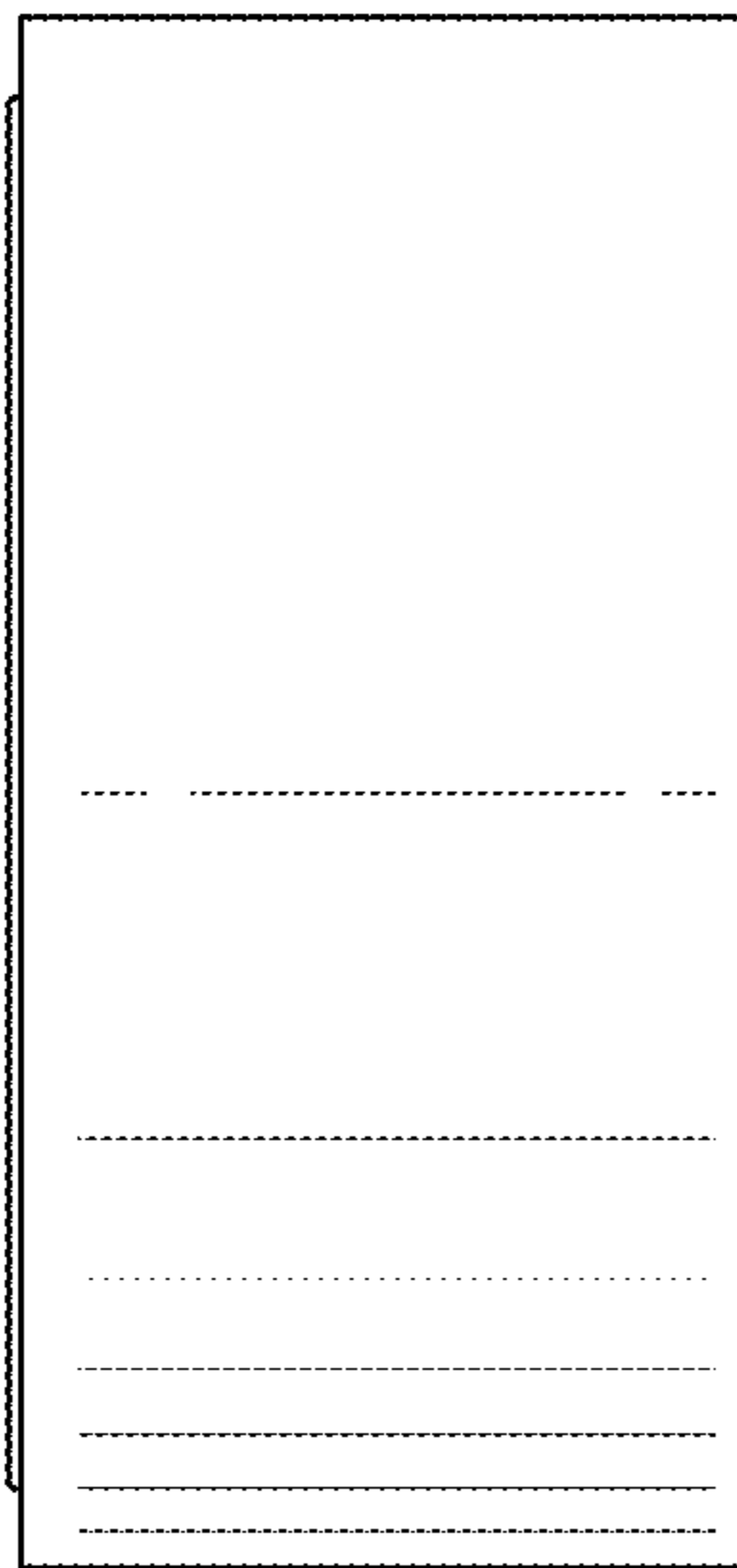


FIG. 3

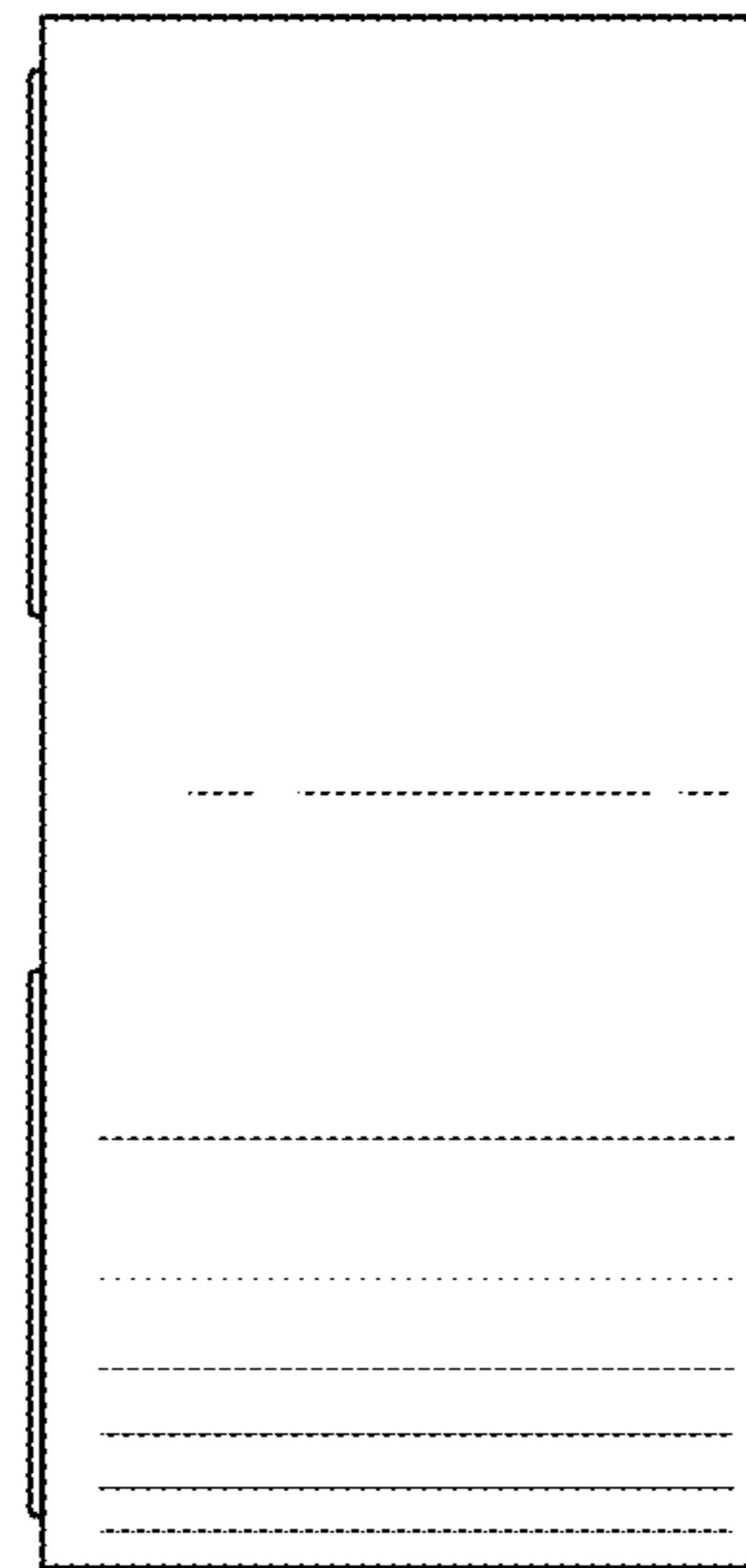


FIG. 4