



US00D788958S

(12) **United States Design Patent** (10) **Patent No.:** **US D788,958 S**
Ko (45) **Date of Patent:** **** Jun. 6, 2017**

(54) HEADLIGHT FOR VEHICLES	D709,226 S * 7/2014 DiPenti F21S 48/1104 D26/28
(71) Applicants: In Hong Ko , Seoul (KR); VISION X ASIA CO., LTD. , Hwaseong-si (KR)	D743,071 S * 11/2015 Kao D26/28 D760,406 S * 6/2016 Huang D26/28 D760,932 S * 7/2016 Huang D26/28 D762,892 S * 8/2016 Kosugi D26/28 D768,318 S * 10/2016 Dubosc D26/28 D769,491 S * 10/2016 Lai D26/28 D772,451 S * 11/2016 Ma D26/28 D772,452 S * 11/2016 Ma D26/28
(72) Inventor: In Hong Ko , Seoul (KR)	
(73) Assignees: In Hong Ko , Seoul (KR); VISION X ASIA CO., LTD. , Hwaseong-si (KR)	

(**) Term: **15 Years**

* cited by examiner

(21) Appl. No.: **29/567,939**

Primary Examiner — Angela J Lee

(22) Filed: **Jun. 14, 2016**

(74) *Attorney, Agent, or Firm* — Cantor Colburn LLP

(30) **Foreign Application Priority Data**

Feb. 15, 2016 (KR) 30-2016-0006817

(51) **LOC (10) Cl.** **26-07**

(52) **U.S. Cl.**
USPC **D26/28**

(58) **Field of Classification Search**
USPC D26/28-36; 362/459-468, 475-478,
362/485-487

CPC F21S 48/00; F21S 48/10; F21S 48/115;
F21S 48/225; F21S 48/1233; F21S
48/1266; F21S 48/1388; F21S 48/2268;
F21V 21/04

See application file for complete search history.

(56) **References Cited**

U.S. PATENT DOCUMENTS

D643,955 S * 8/2011 Tsai D26/28
D708,778 S * 7/2014 Sibitzky D26/118

(57) **CLAIM**

The ornamental design for a headlight for vehicles, as shown and described.

DESCRIPTION

FIG. 1 is a front side perspective view of a headlight for vehicles showing my new design;
FIG. 2 is a rear side perspective view thereof;
FIG. 3 is a front elevational view thereof;
FIG. 4 is a rear elevational view thereof;
FIG. 5 is a left side elevational view thereof;
FIG. 6 is a right side elevational view thereof;
FIG. 7 is a top plan view thereof; and,
FIG. 8 is a bottom plan view thereof.

1 Claim, 5 Drawing Sheets

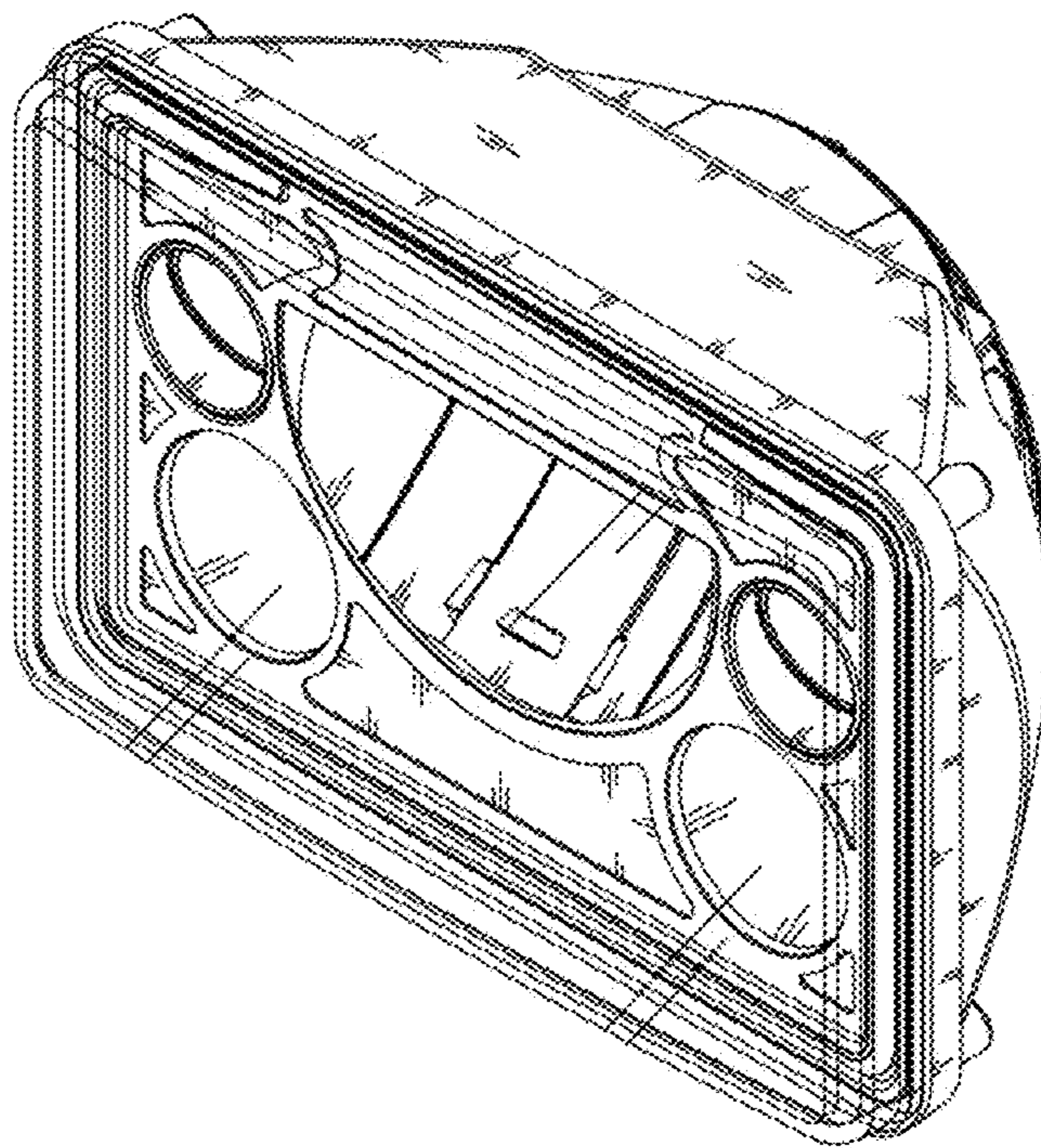


FIG. 1

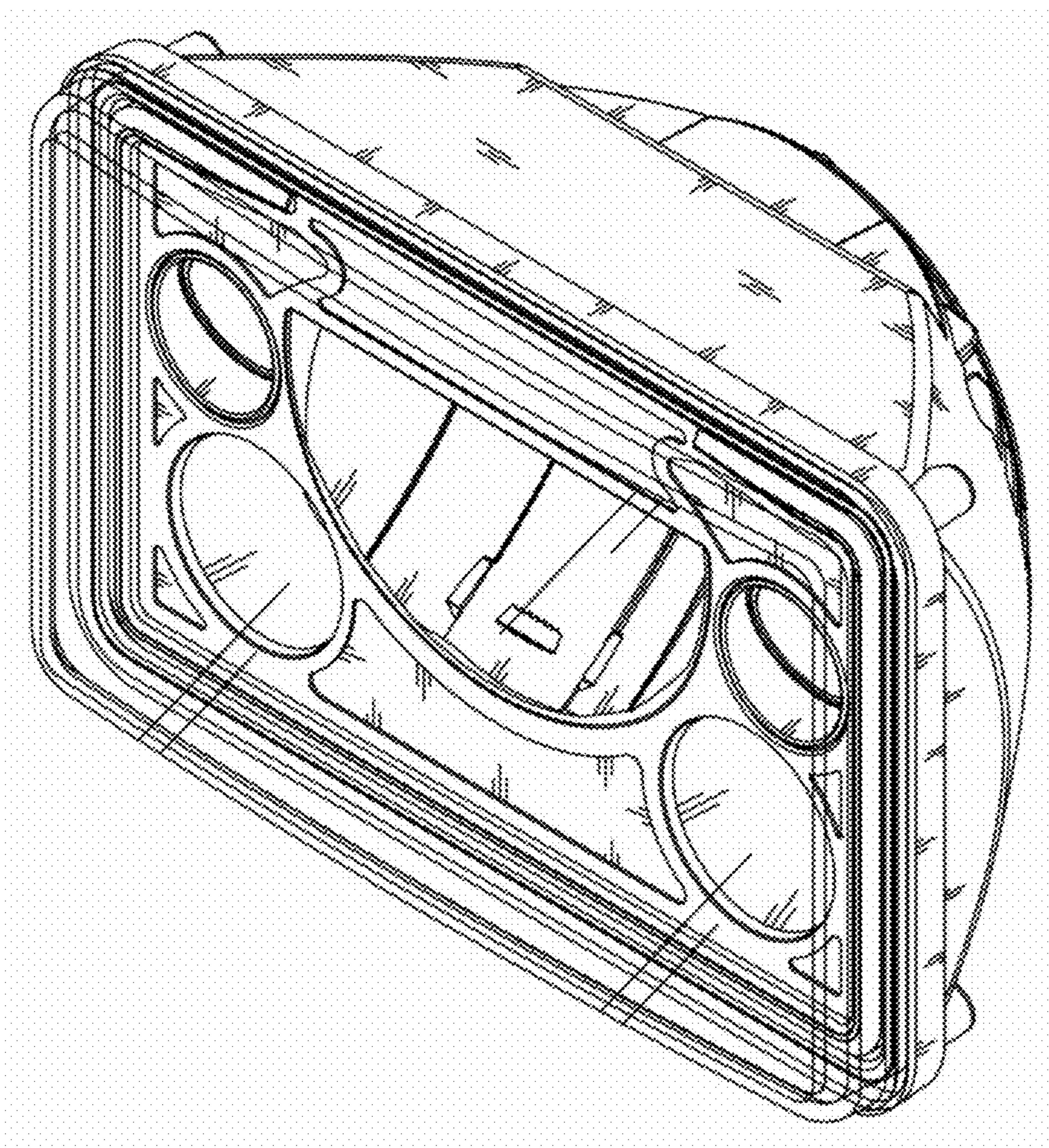


FIG. 2

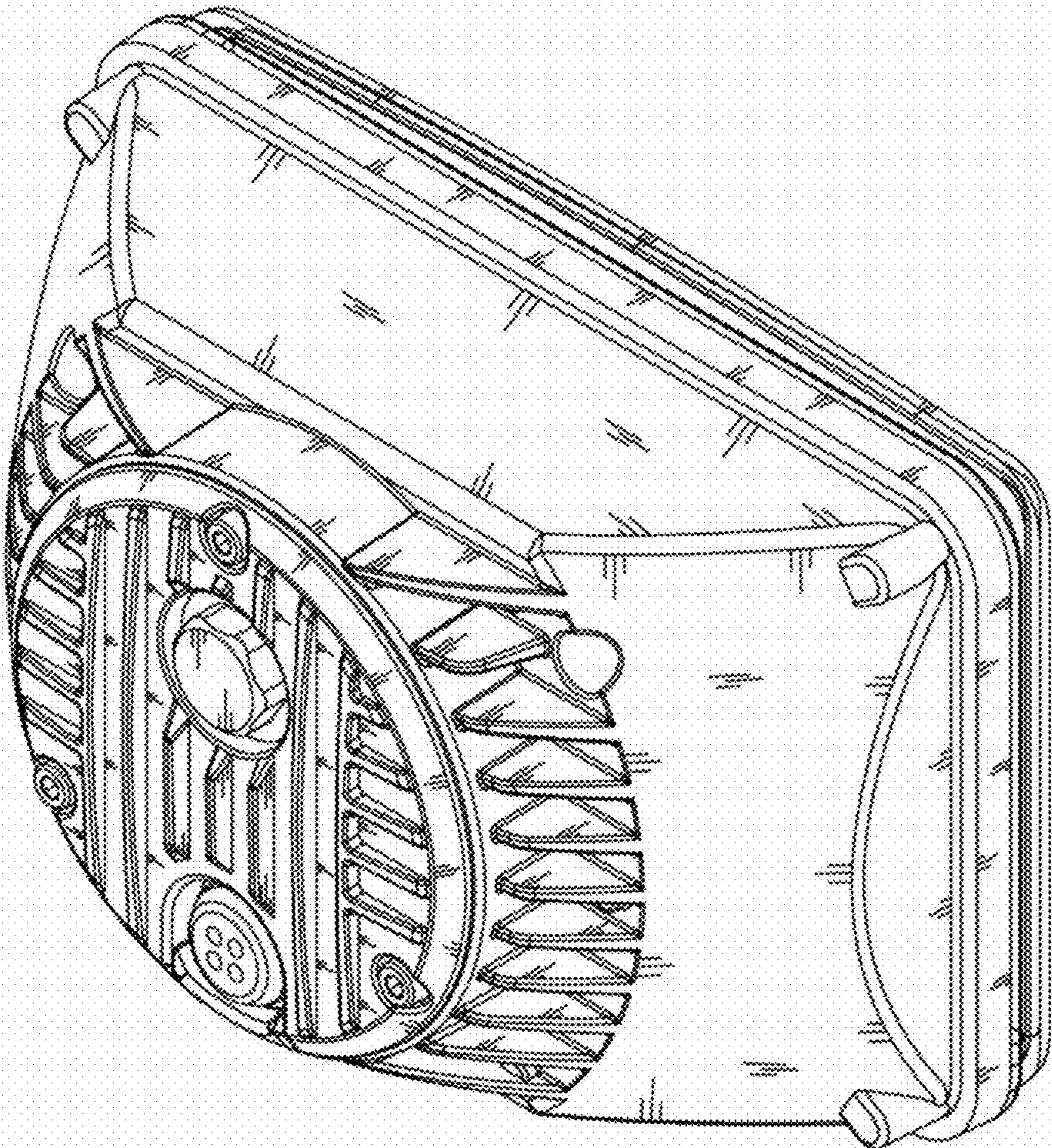


FIG. 3

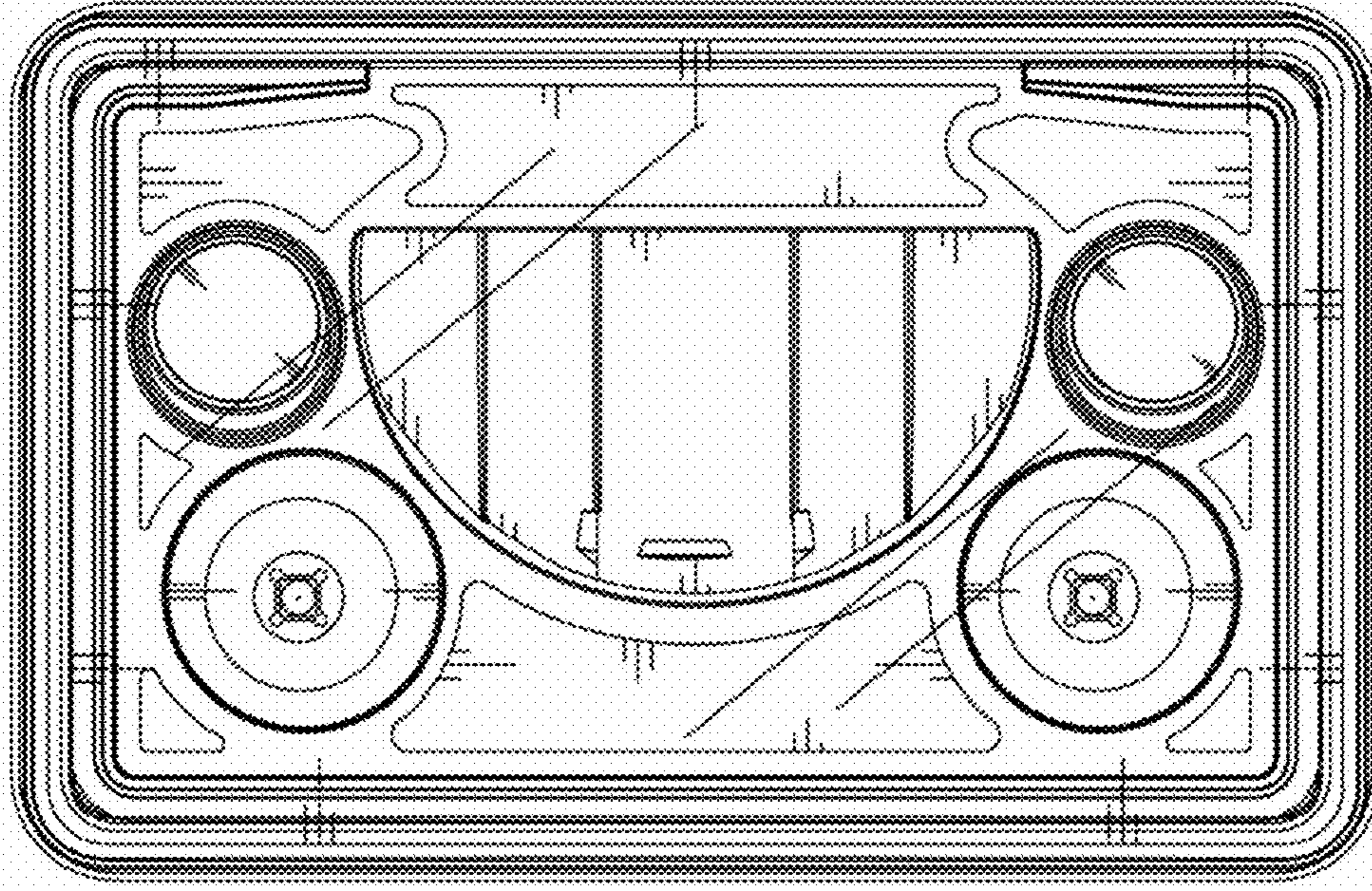


FIG. 4

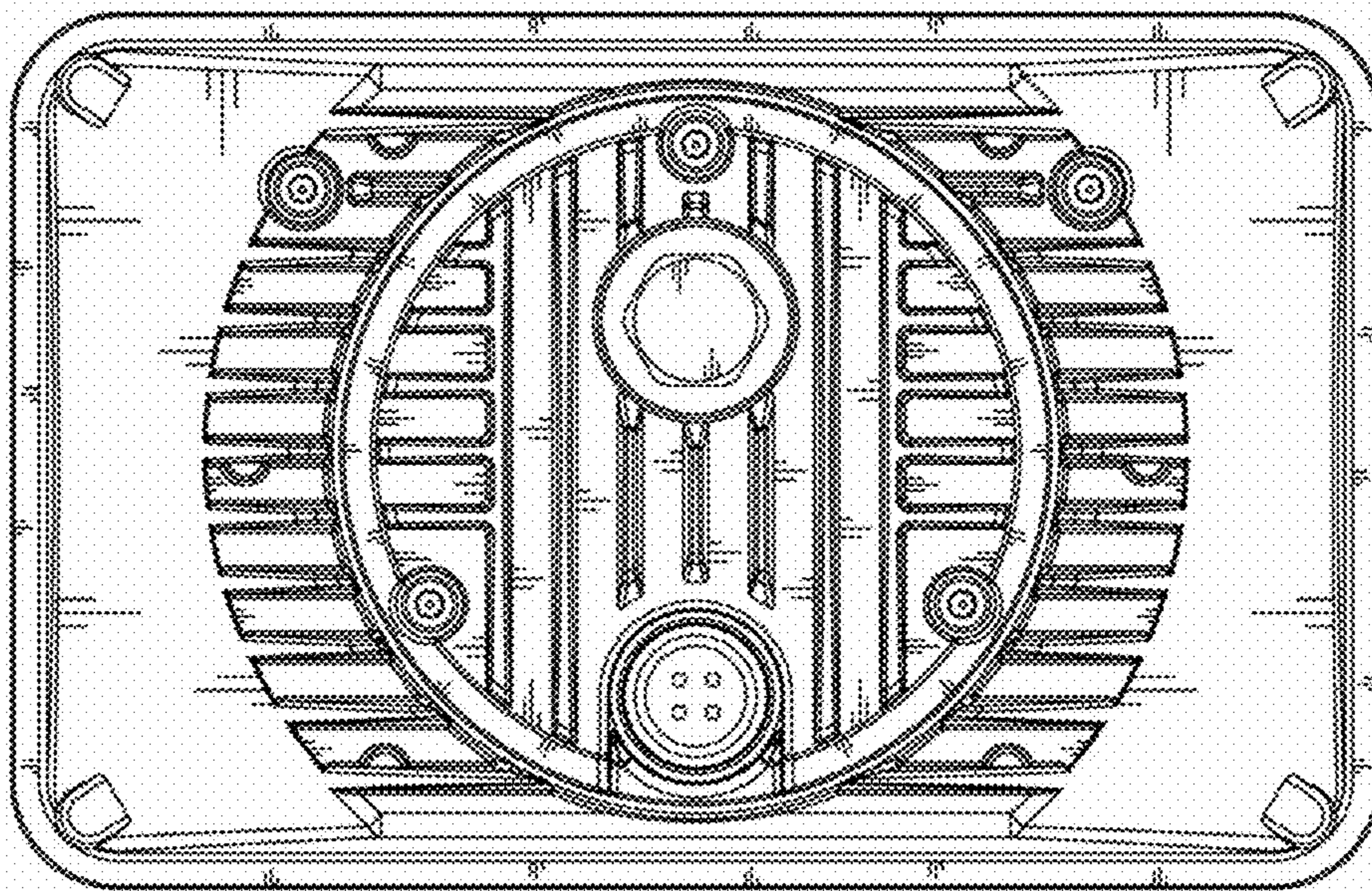


FIG. 5

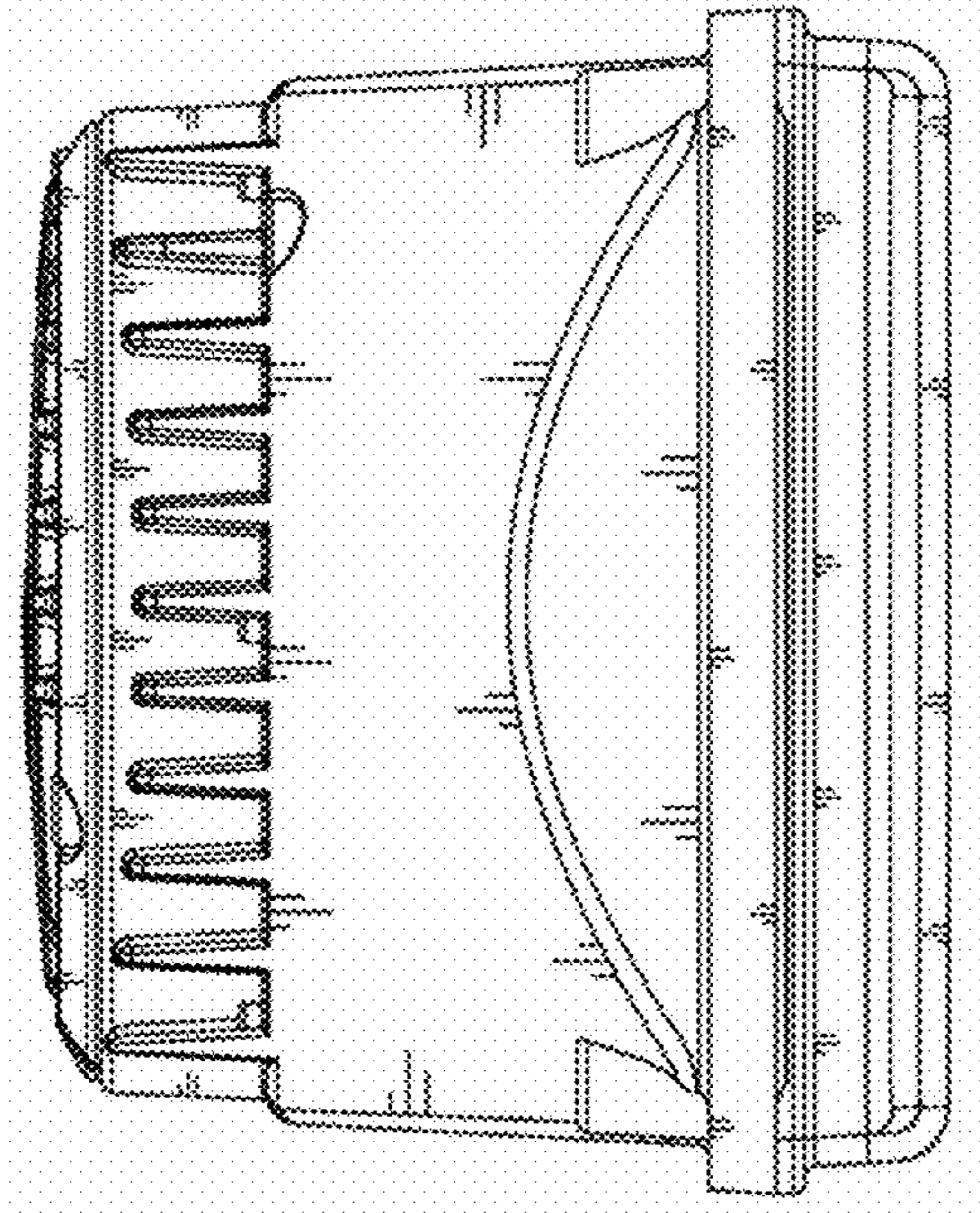


FIG. 6

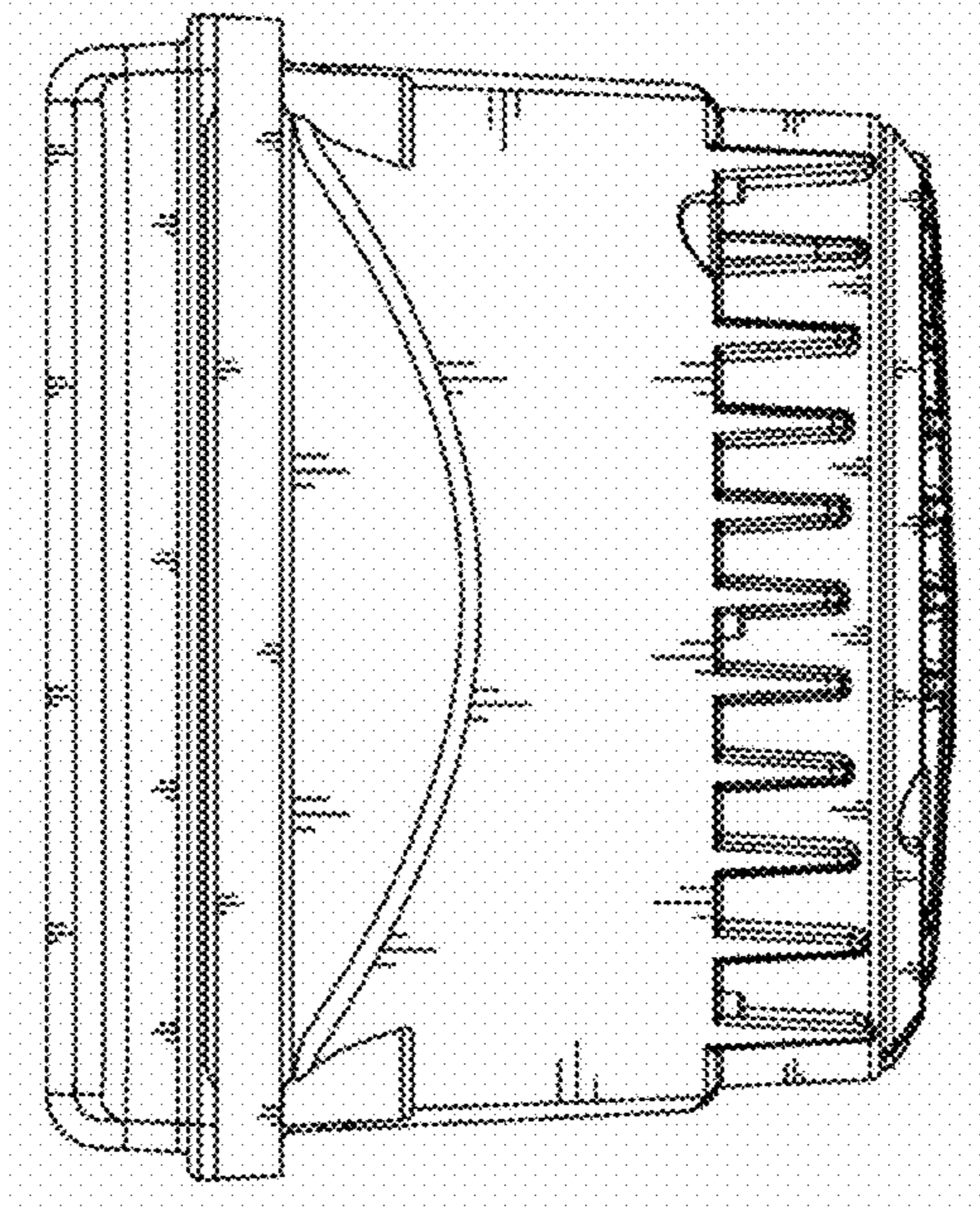


FIG. 7

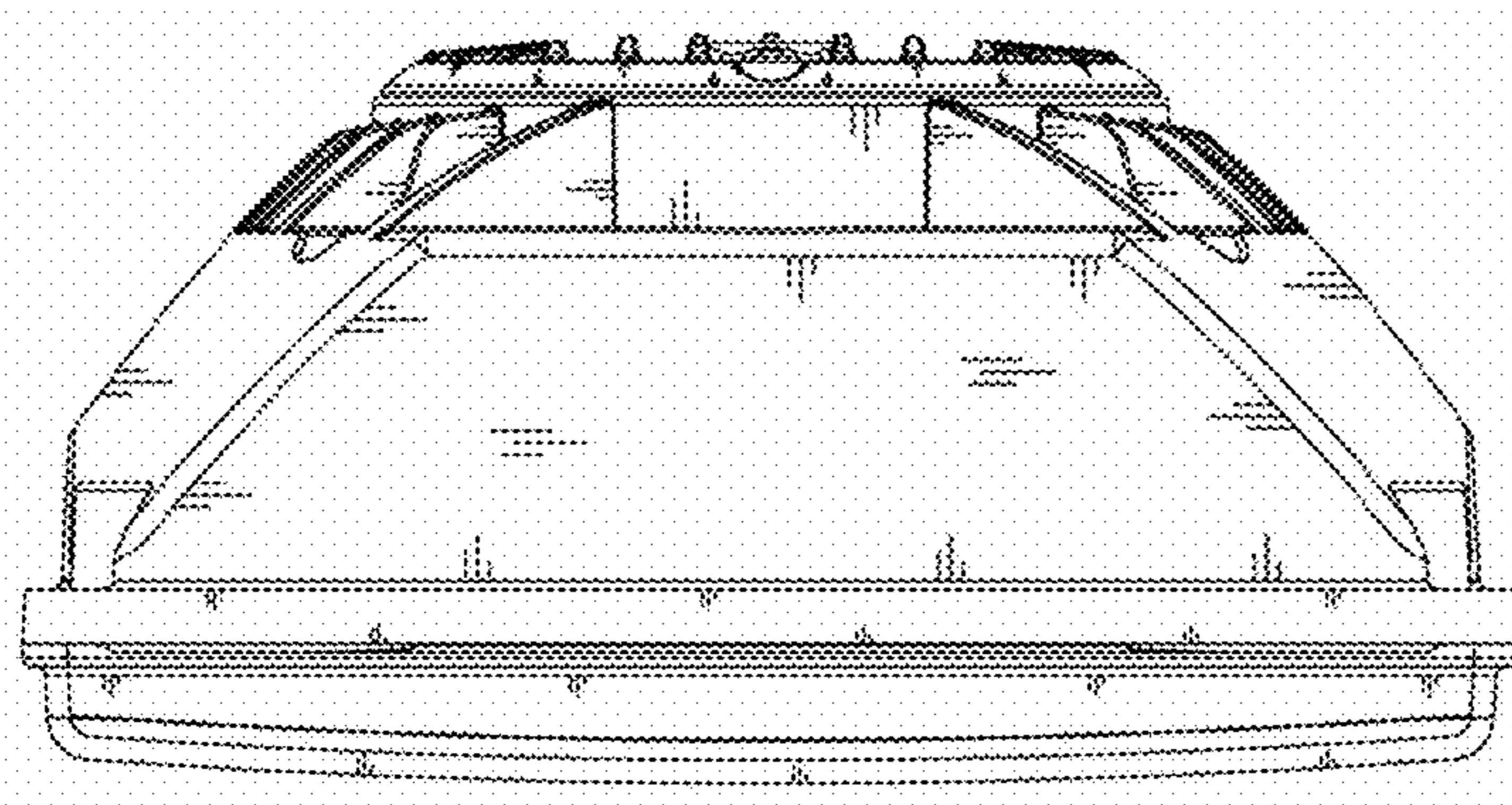


FIG. 8

