



US00D788957S

(12) **United States Design Patent** (10) **Patent No.:** **US D788,957 S**
Hong et al. (45) **Date of Patent:** **** Jun. 6, 2017**

(54) **REAR FOG LAMP FOR AN AUTOMOBILE**

(71) Applicant: **Hyundai Motor Company**, Seoul (KR)

(72) Inventors: **Wan Hee Hong**, Gyeonggi-do (KR);
Seung Jin Kim, Gyeonggi-do (KR)

(73) Assignee: **Hyundai Motor Company**, Seoul (KR)

(**) Term: **15 Years**

(21) Appl. No.: **29/561,843**

(22) Filed: **Apr. 20, 2016**

(30) **Foreign Application Priority Data**

Oct. 21, 2015 (KR) 30-2015-0053058

(51) **LOC (10) Cl.** **26-06**

(52) **U.S. Cl.**
USPC **D26/28**

(58) **Field of Classification Search**
USPC D26/28-36; 362/80-83, 267-269,
362/459-468, 475-478, 485-487
CPC F21S 48/00; F21S 48/10; F21S 48/115;
F21S 48/225; F21S 48/1233; F21S
48/1266; F21S 48/1388; F21S 48/2268;
F21V 21/04

See application file for complete search history.

(56) **References Cited**

U.S. PATENT DOCUMENTS

D541,445 S *	4/2007	Lin	D26/28
D549,363 S *	8/2007	Pfeiffer	D26/28
D552,769 S *	10/2007	Leclercq	D26/28
D553,269 S *	10/2007	Pfeiffer	D26/28
D570,015 S *	5/2008	Hsu	D26/28

* cited by examiner

Primary Examiner — Marcus Jackson

(74) *Attorney, Agent, or Firm* — Mintz Levin Cohn Ferris
Glovsky and Popeo, P.C.; Kongsik Kim

(57) **CLAIM**

The ornamental design for a rear fog lamp for an automobile, as shown and described.

DESCRIPTION

FIG. 1 is a perspective view of a rear fog lamp for an automobile according to the present invention. FIG. 2 is a front view of the rear fog lamp thereof. FIG. 3 is a rear view of the rear fog lamp thereof. FIG. 4 is a left side view of the rear fog lamp thereof. FIG. 5 is a right side view of the rear fog lamp thereof. FIG. 6 is a top view of the rear fog lamp thereof; and, FIG. 7 is a bottom view of the rear fog lamp thereof.

1 Claim, 7 Drawing Sheets

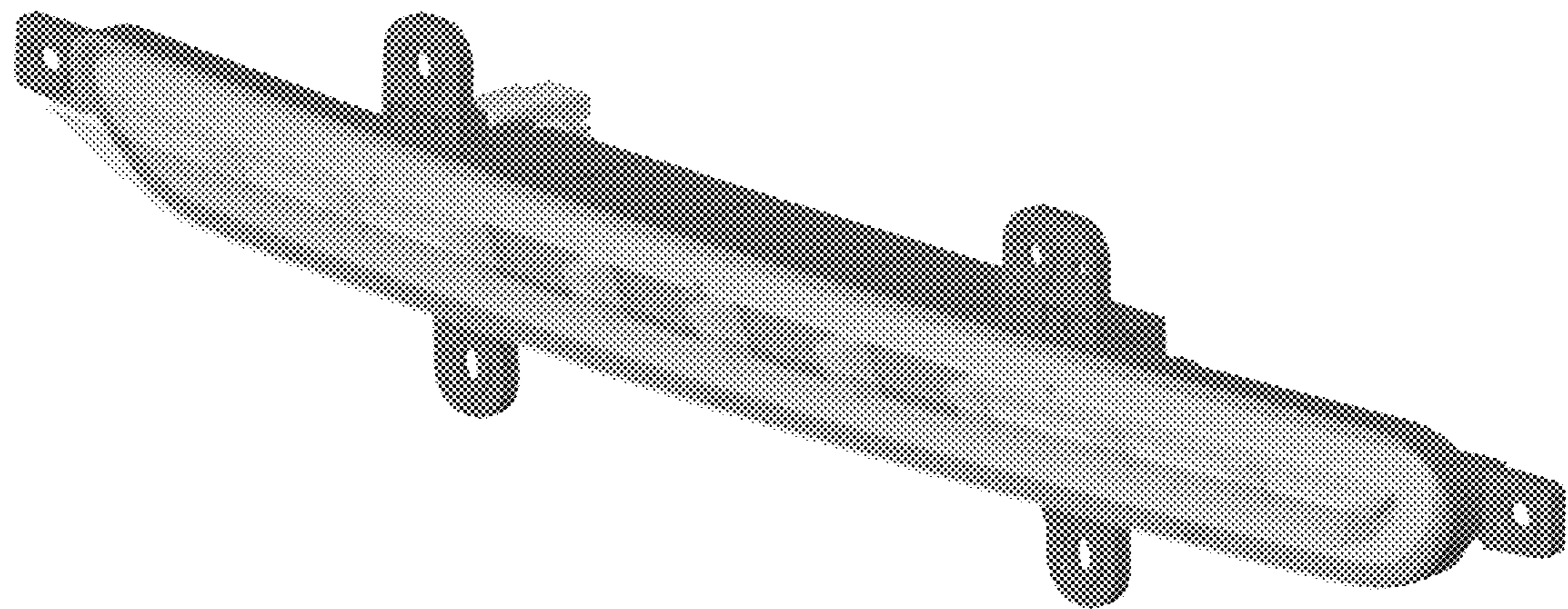


FIG. 1

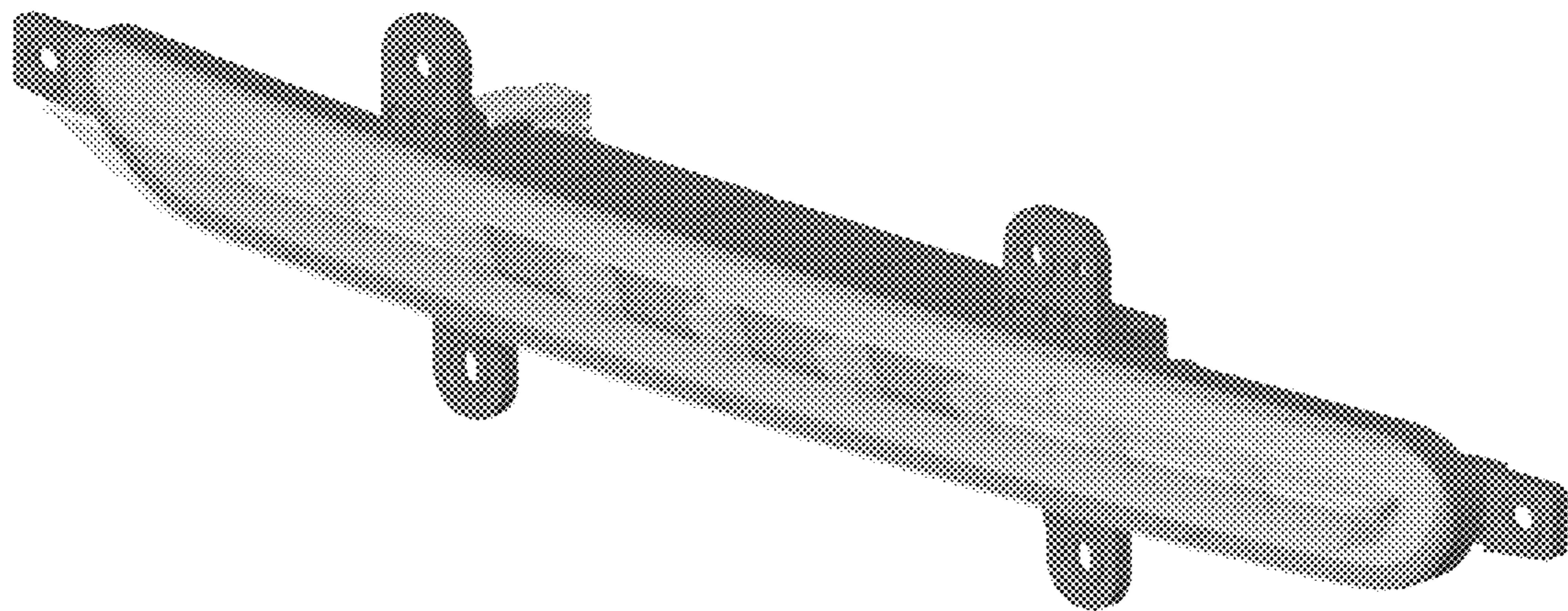


FIG. 2



FIG. 3



FIG. 4

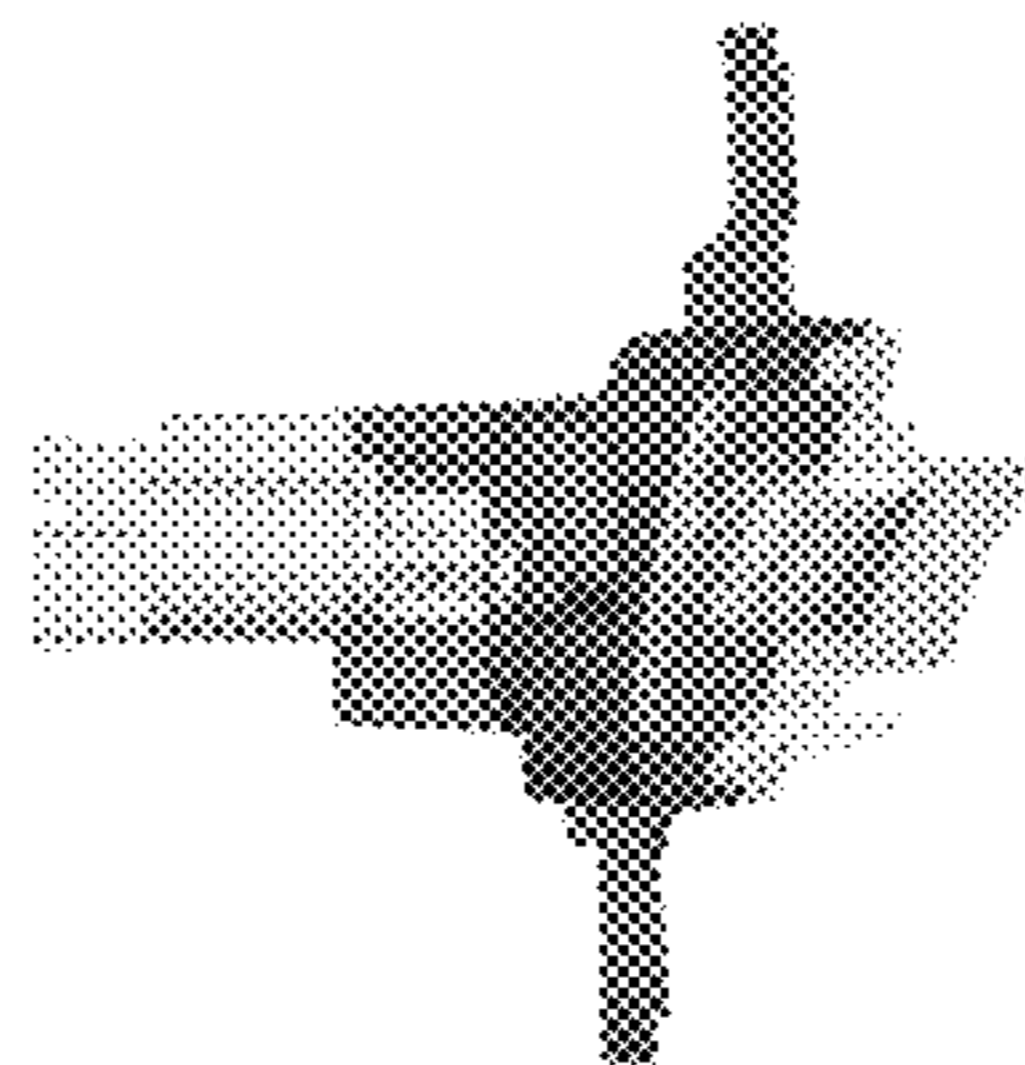


FIG.5

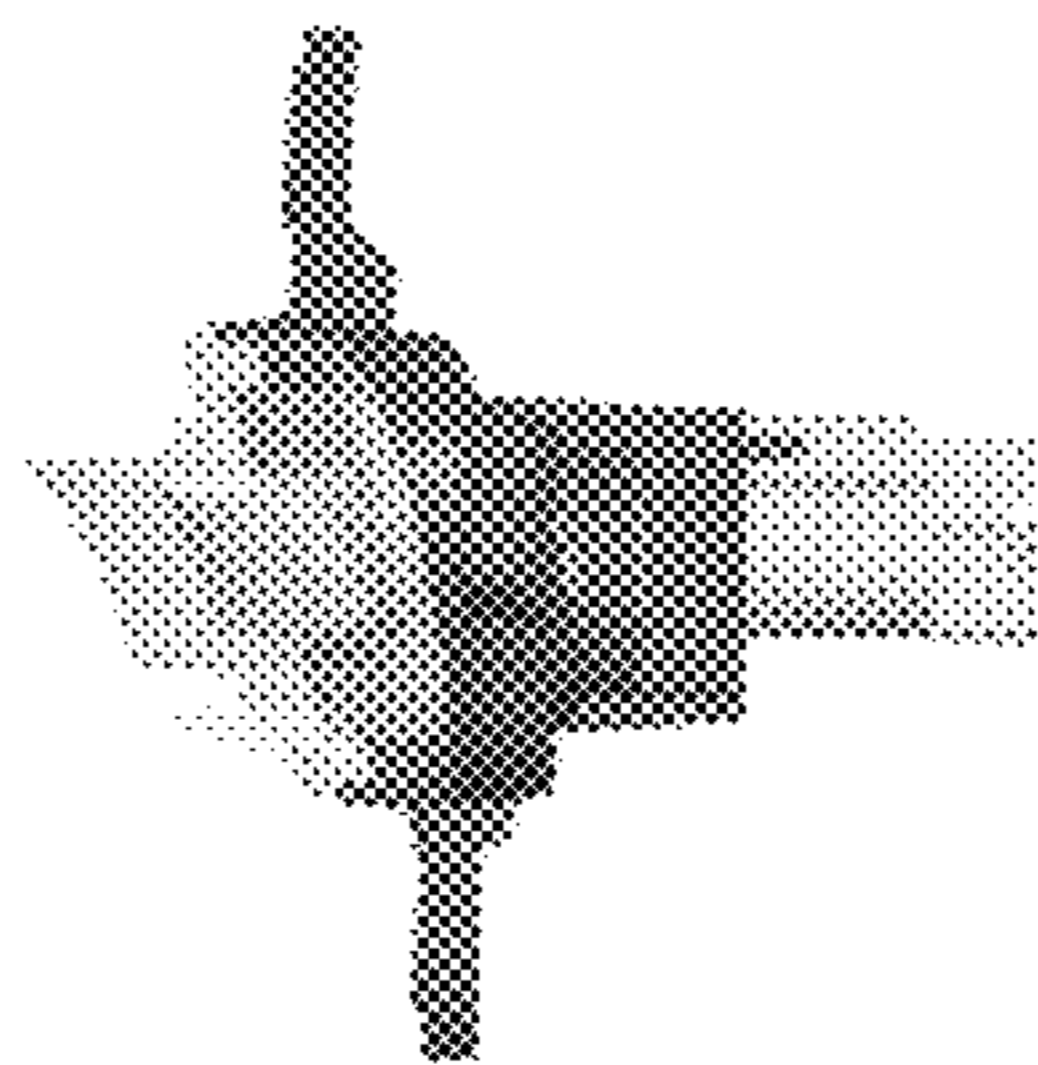


FIG. 6

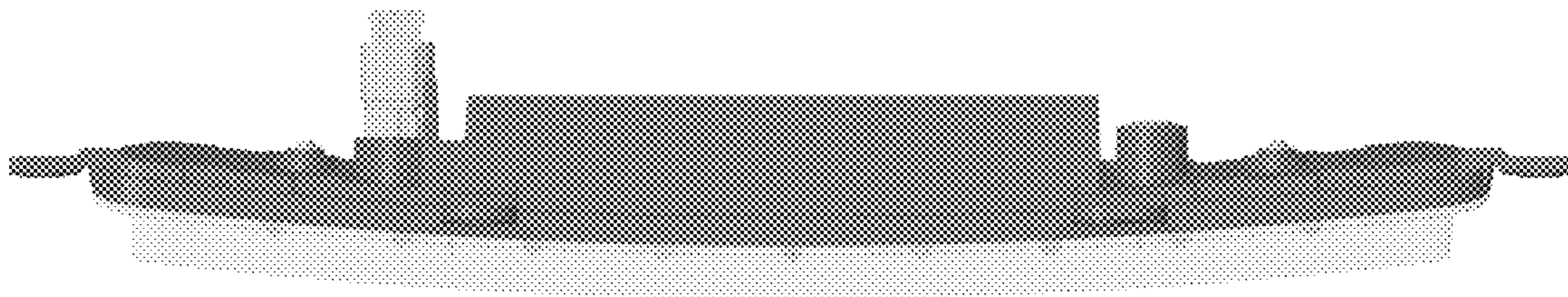


FIG.7

