



US00D788956S

(12) **United States Design Patent**
Hong et al.

(10) **Patent No.:** **US D788,956 S**
(45) **Date of Patent:** **** Jun. 6, 2017**

(54) **HEAD LAMP FOR AN AUTOMOBILE**

(56) **References Cited**

(71) Applicant: **Hyundai Motor Company**, Seoul (KR)

U.S. PATENT DOCUMENTS

(72) Inventors: **Wan Hee Hong**, Gyeonggi-do (KR);
Seung Jin Kim, Gyeonggi-do (KR)

D636,506 S *	4/2011	Kim	D26/28
D657,898 S *	4/2012	Choi	D26/28
D670,842 S *	11/2012	Fuchigami	D26/28
D709,223 S *	7/2014	Lai	D26/28
D719,689 S *	12/2014	Gotschke	D26/28
D723,197 S *	2/2015	Campbell	D26/28

(73) Assignee: **Hyundai Motor Company**, Seoul (KR)

(**) Term: **15 Years**

* cited by examiner

(21) Appl. No.: **29/561,835**

Primary Examiner — Marcus Jackson

(22) Filed: **Apr. 20, 2016**

(74) *Attorney, Agent, or Firm* — Mintz Levin Cohn Ferris
Glovsky and Popeo, P.C.; Kongsik Kim

(30) **Foreign Application Priority Data**

(57) **CLAIM**

Oct. 21, 2015 (KR) 30-2015-0053055

The ornamental design for a head lamp for an automobile,
as shown and described.

(51) **LOC (10) Cl.** **26-06**

DESCRIPTION

(52) **U.S. Cl.**
USPC **D26/28**

(58) **Field of Classification Search**
USPC D26/28-36; 362/80-83, 267-269,
362/459-468, 475-478, 485-487
CPC F21S 48/00; F21S 48/10; F21S 48/115;
F21S 48/225; F21S 48/1233; F21S
48/1266; F21S 48/1388; F21S 48/2268;
F21V 21/04

FIG. 1 is a perspective view of a head lamp for an automo-
bile according to the present invention.
FIG. 2 is a front view of the head lamp thereof.
FIG. 3 is a rear view of the head lamp thereof.
FIG. 4 is a left side view of the head lamp thereof.
FIG. 5 is a right side view of the head lamp thereof.
FIG. 6 is a top view of the head lamp thereof; and,
FIG. 7 is a bottom view of the head lamp thereof.

See application file for complete search history.

1 Claim, 7 Drawing Sheets



FIG. 1



FIG. 2

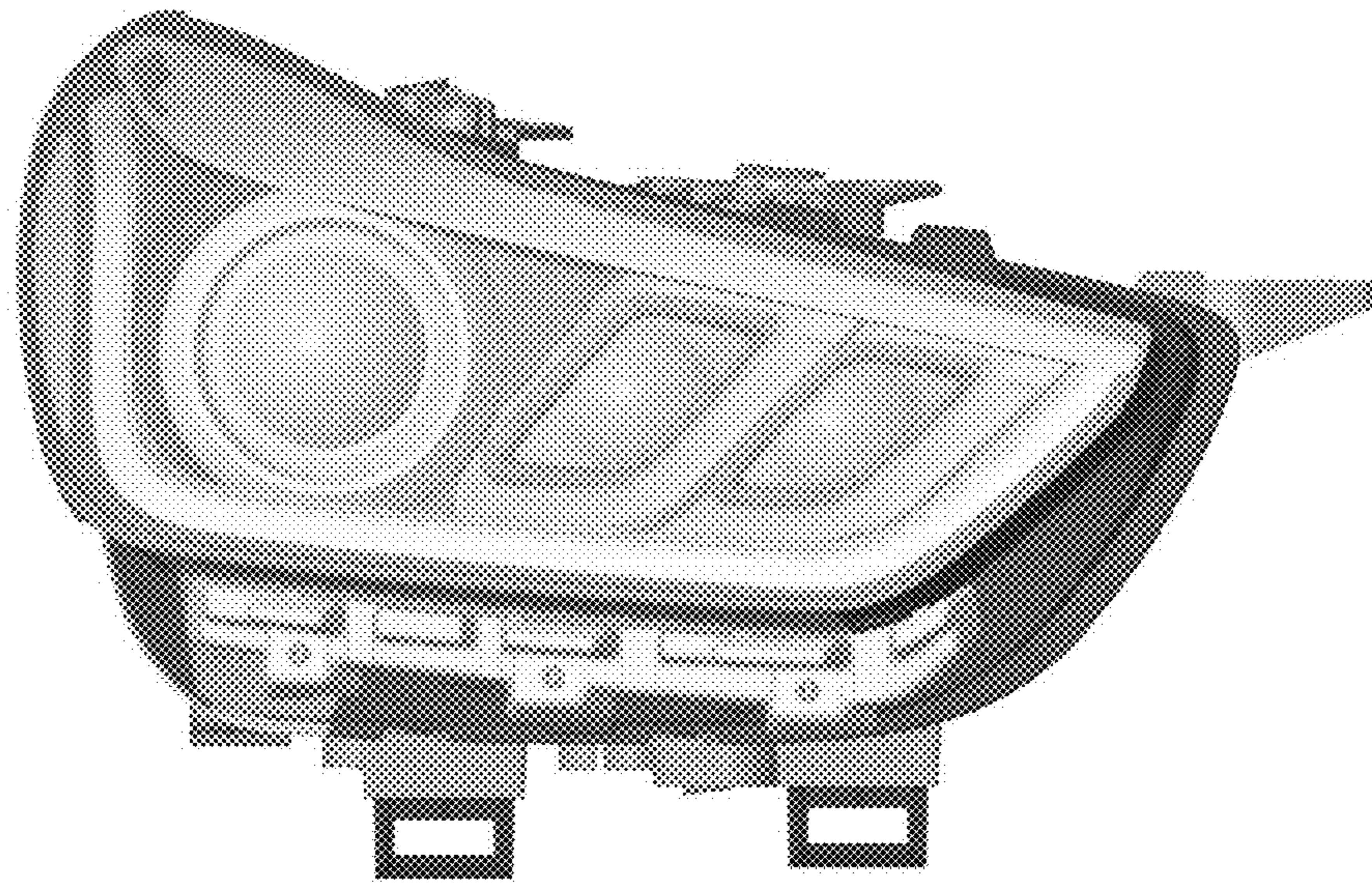


FIG. 3

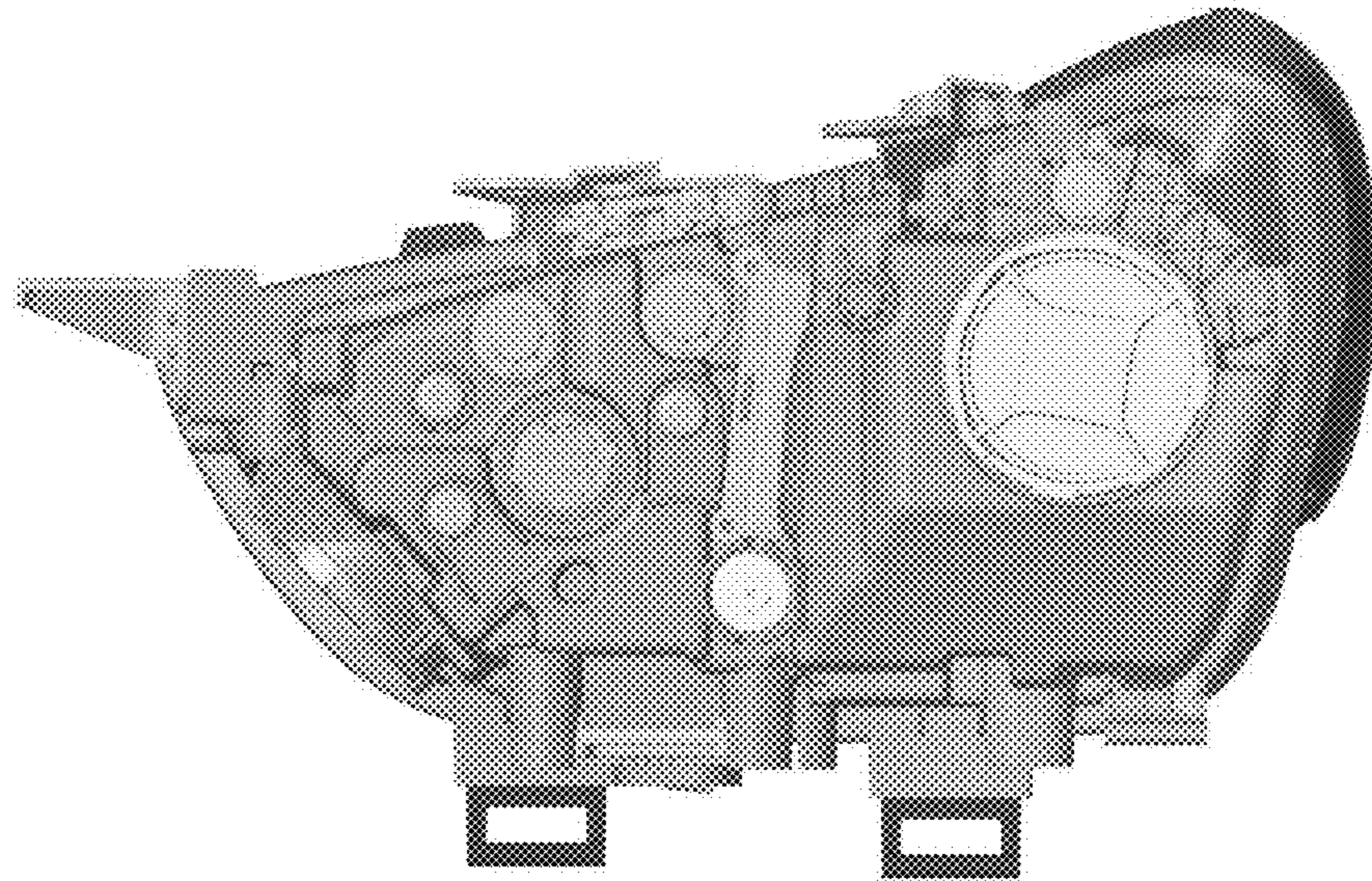


FIG. 4

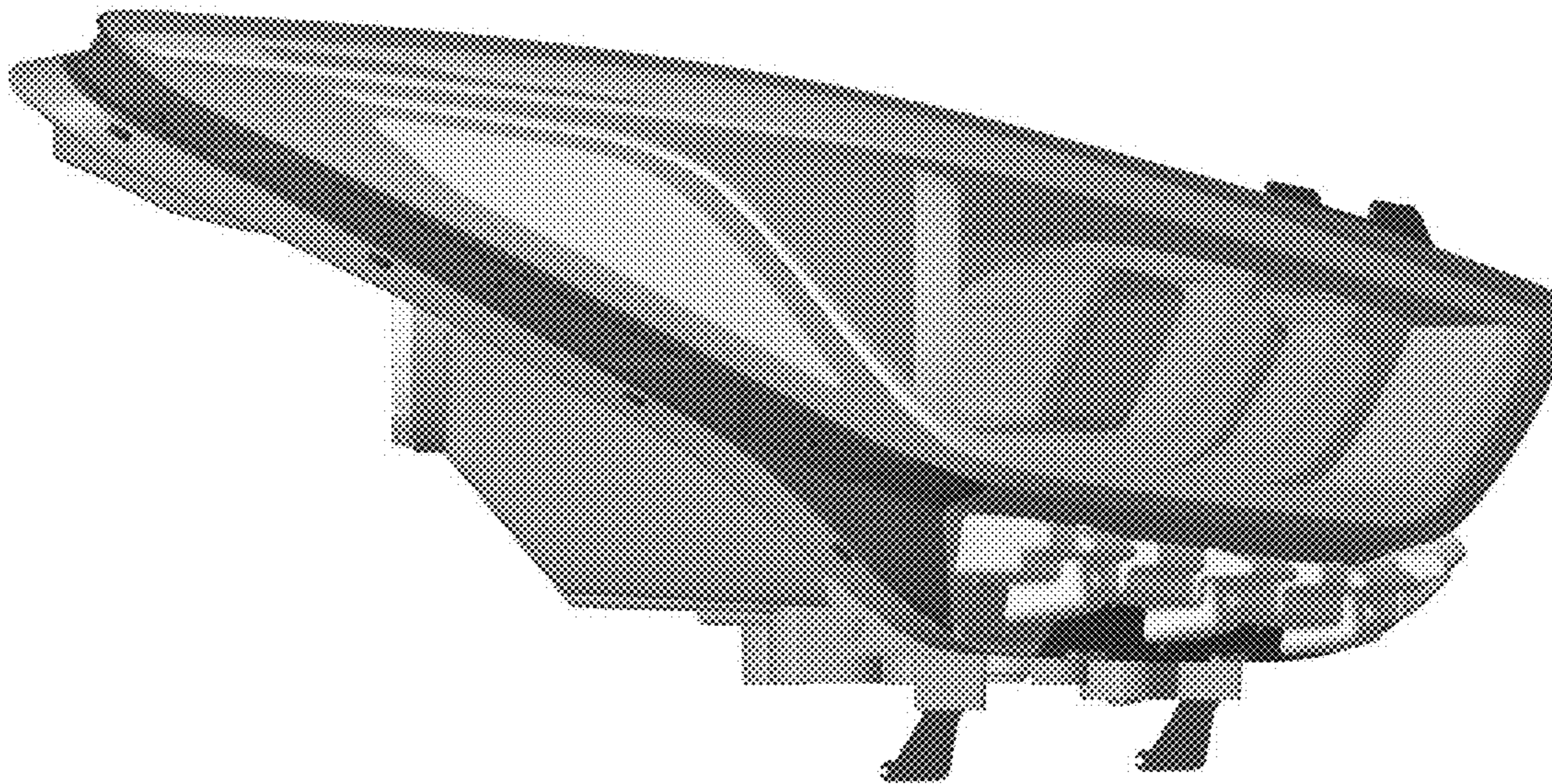


FIG. 5

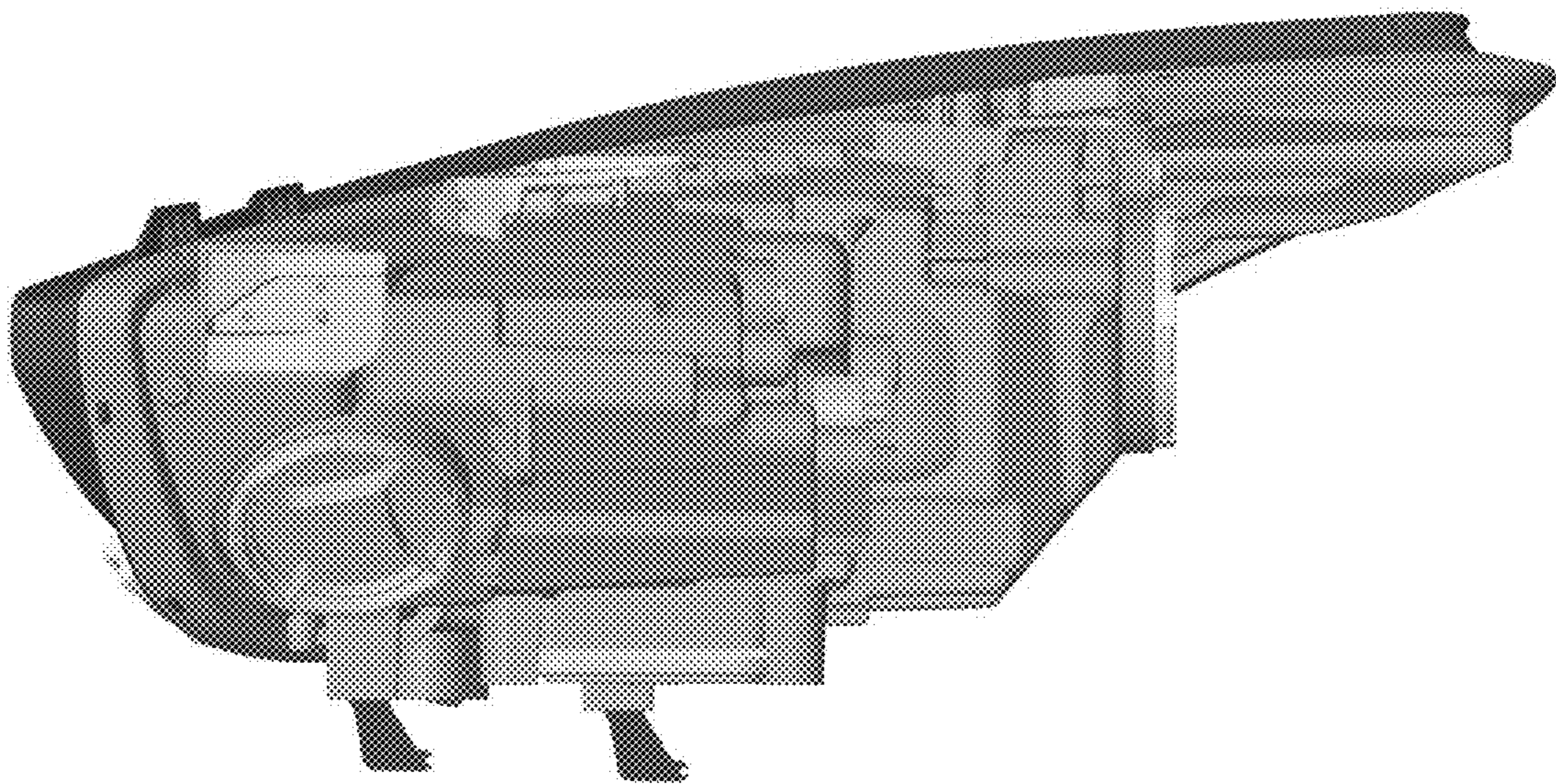


FIG. 6

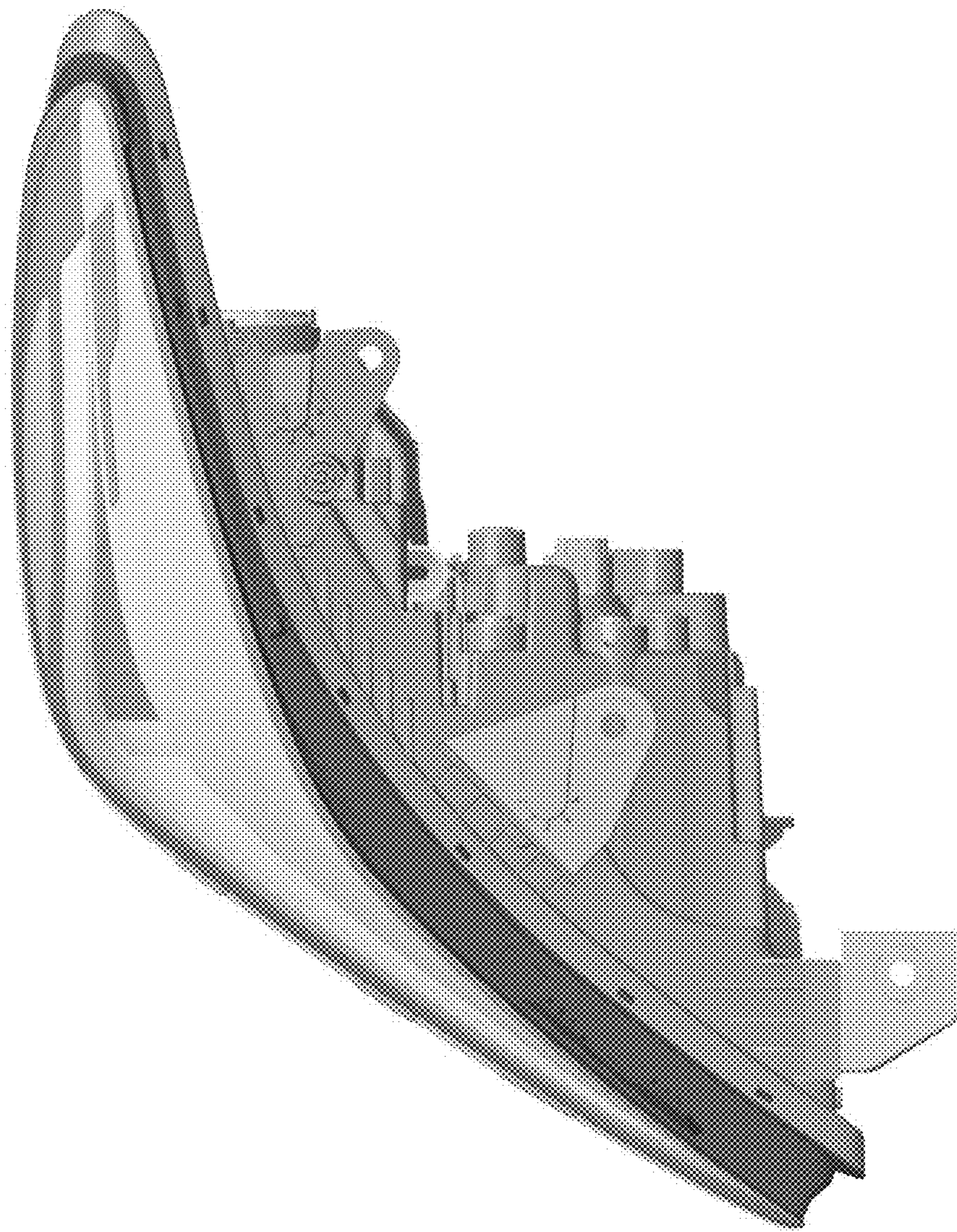


FIG. 7

