



US00D788955S

(12) **United States Design Patent**
Yu

(10) **Patent No.:** **US D788,955 S**
(45) **Date of Patent:** **** Jun. 6, 2017**

(54) **LIGHTHEAD**

(71) Applicant: **NINGBO YINZHOU SELF PHOTOELECTRON TECHNOLOGY CO., LTD.**, Ningbo, Zhejiang Province (CN)

(72) Inventor: **Feng Yu**, Ningbo (CN)

(73) Assignee: **NINGBO YINZHOU SELF PHOTOELECTRON TECHNOLOGY CO., LTD.**, Ningbo (CN)

(**) Term: **15 Years**

(21) Appl. No.: **29/550,851**

(22) Filed: **Jan. 7, 2016**

(30) **Foreign Application Priority Data**

Oct. 12, 2015 (CN) 2015 3 0393115

(51) **LOC (10) Cl.** **26-06**

(52) **U.S. Cl.**
USPC **D26/28**

(58) **Field of Classification Search**
USPC D26/28, 30, 89, 120; D10/111, 114.1, D10/114.3
CPC .. F21S 48/2206; F21S 48/2212; F21S 48/215; F21S 48/218; F21S 48/20; F21S 48/22; F21S 48/2281; F21V 5/00; B60Q 1/04; B60Q 1/26; B60Q 1/32; B60Q 1/2615; B60Q 1/2607

See application file for complete search history.

(56) **References Cited**

U.S. PATENT DOCUMENTS

3,798,444 A * 3/1974 Brudy F21V 5/00 362/328
D556,351 S * 11/2007 Tsai D26/28

D561,361 S * 2/2008 Pan D26/28
D589,835 S * 4/2009 Pokorny D10/110
D589,836 S * 4/2009 Pokorny D10/110
D733,946 S * 7/2015 Chen D26/28
D735,910 S * 8/2015 Chang D26/28
D736,433 S * 8/2015 Kuei-Lai D10/114.1
D736,970 S * 8/2015 Kuei-Lai D10/114.1
D740,471 S * 10/2015 Yu D26/28
D747,018 S * 1/2016 Hansen D26/28
D759,272 S * 6/2016 Fan D26/28
D780,964 S * 3/2017 Roach D26/28
2002/0003708 A1 * 1/2002 Roller B60Q 1/32 362/521
2002/0067548 A1 * 6/2002 TerHovhannisian B60Q 1/32 359/627
2006/0067085 A1 * 3/2006 Sassoon B60Q 1/32 362/522

(Continued)

Primary Examiner — Clare E Heflin

(74) *Attorney, Agent, or Firm* — Andrew F. Young, Esq.; Lackenbach Siegel, LLP

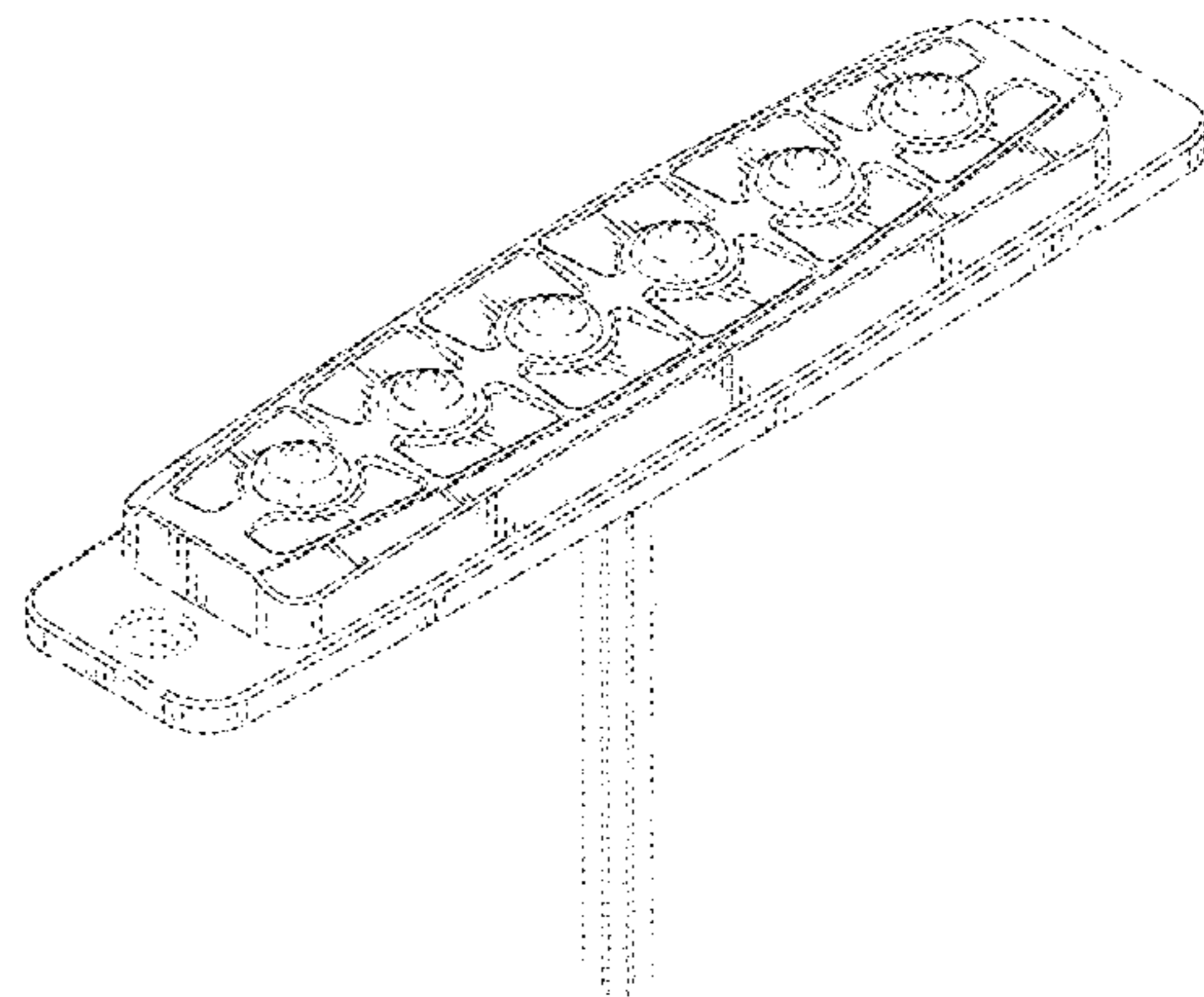
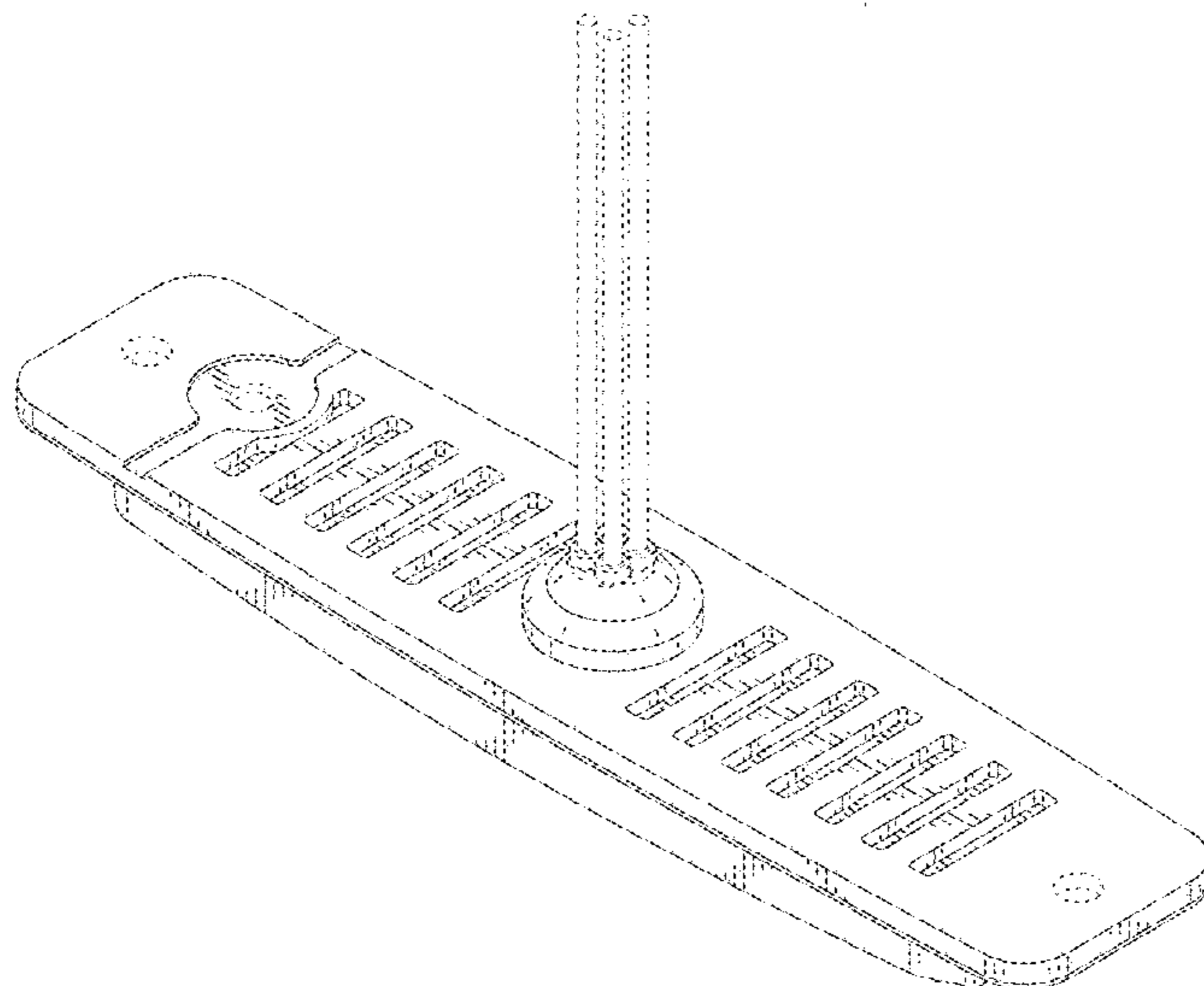
(57) **CLAIM**

The ornamental design for a lighthouse, as shown and described.

DESCRIPTION

FIG. 1 is a front elevation view of the present invention. FIG. 2 is a rear elevation view of FIG. 1. FIG. 3 is a left side elevation view of FIG. 1. FIG. 4 is a right side elevation view of FIG. 1. FIG. 5 is a top plan view of FIG. 1. FIG. 6 is a bottom plan view of FIG. 1. FIG. 7 is a right side rear perspective view of FIG. 1. FIG. 8 is a left side rear elevation view of FIG. 1. FIG. 9 is right side front perspective view of FIG. 1; and, FIG. 10 is a right side front perspective view of FIG. 1. The broken lines shown on the drawings depict portions of the lighthouse that form no part of the claimed design.

1 Claim, 10 Drawing Sheets



(56)

References Cited

U.S. PATENT DOCUMENTS

2008/0259601 A1* 10/2008 Frank B60Q 1/32
362/240
2013/0094209 A1* 4/2013 Yu B60Q 1/2611
362/236
2015/0184809 A1* 7/2015 Kuo F21V 5/04
362/311.14
2016/0238211 A1* 8/2016 Herbin F21S 48/211
2016/0281973 A1* 9/2016 Fay F21S 48/211
2017/0009952 A1* 1/2017 Tai F21S 48/24

* cited by examiner

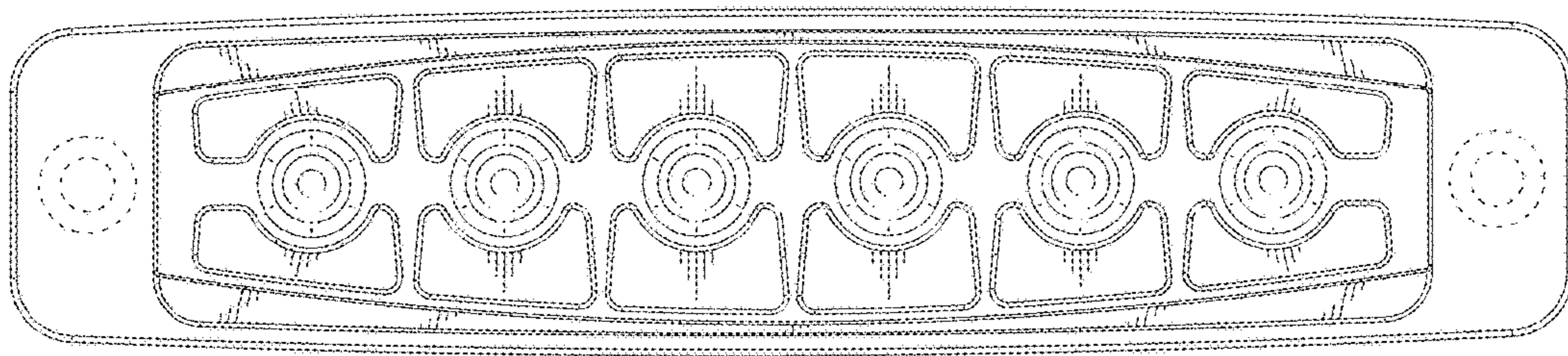


FIG.1

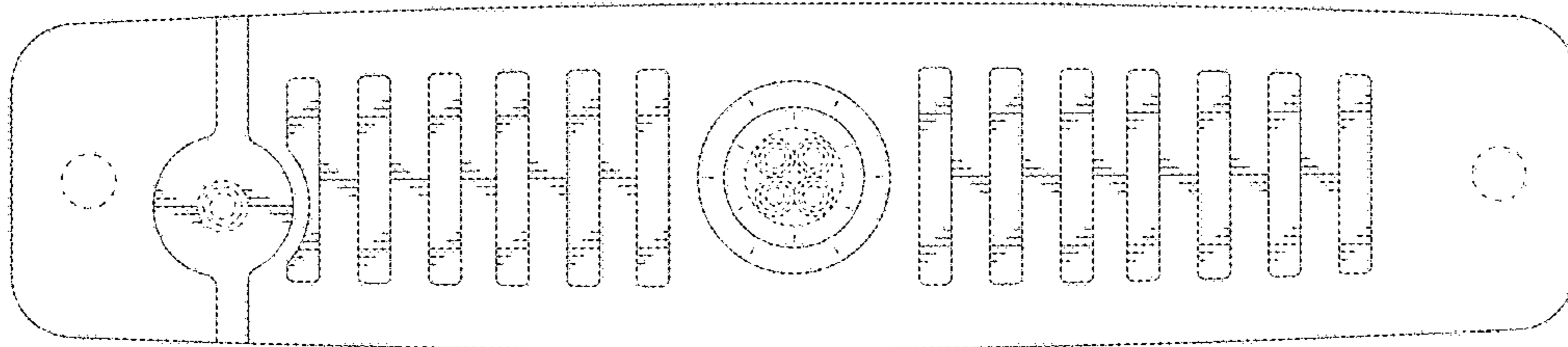


FIG.2

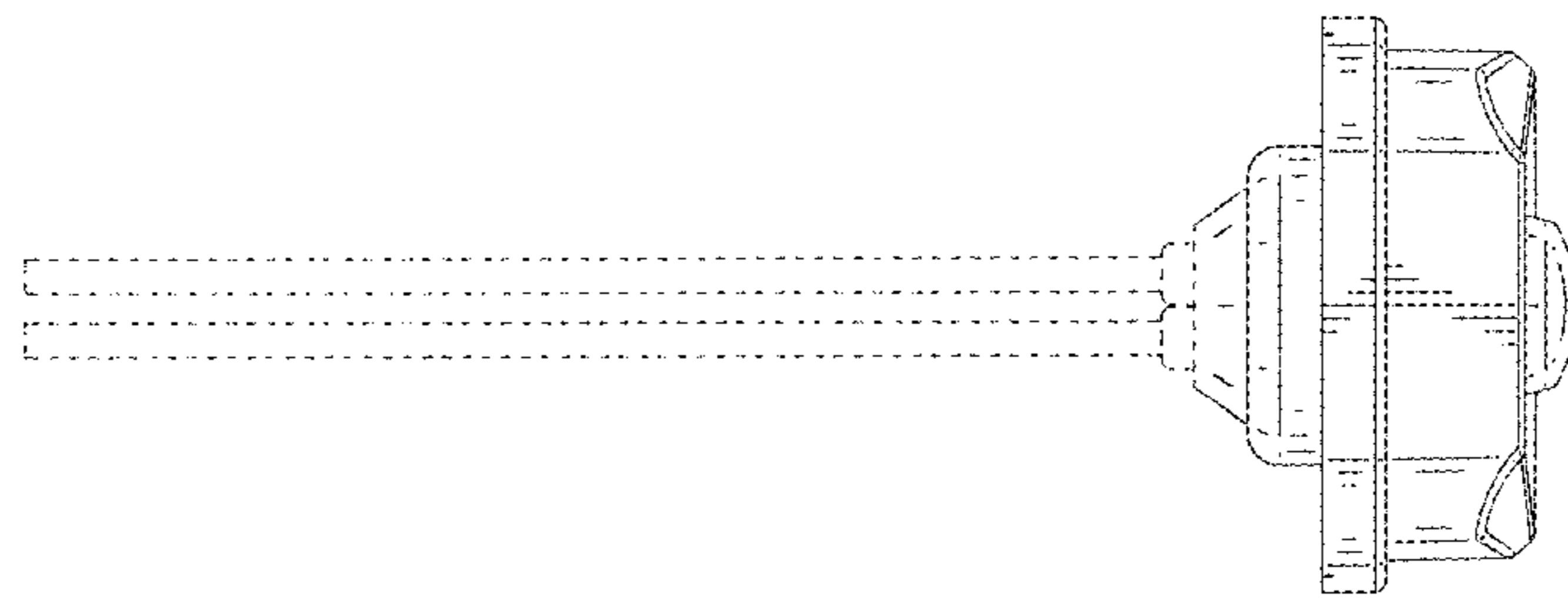


FIG.3

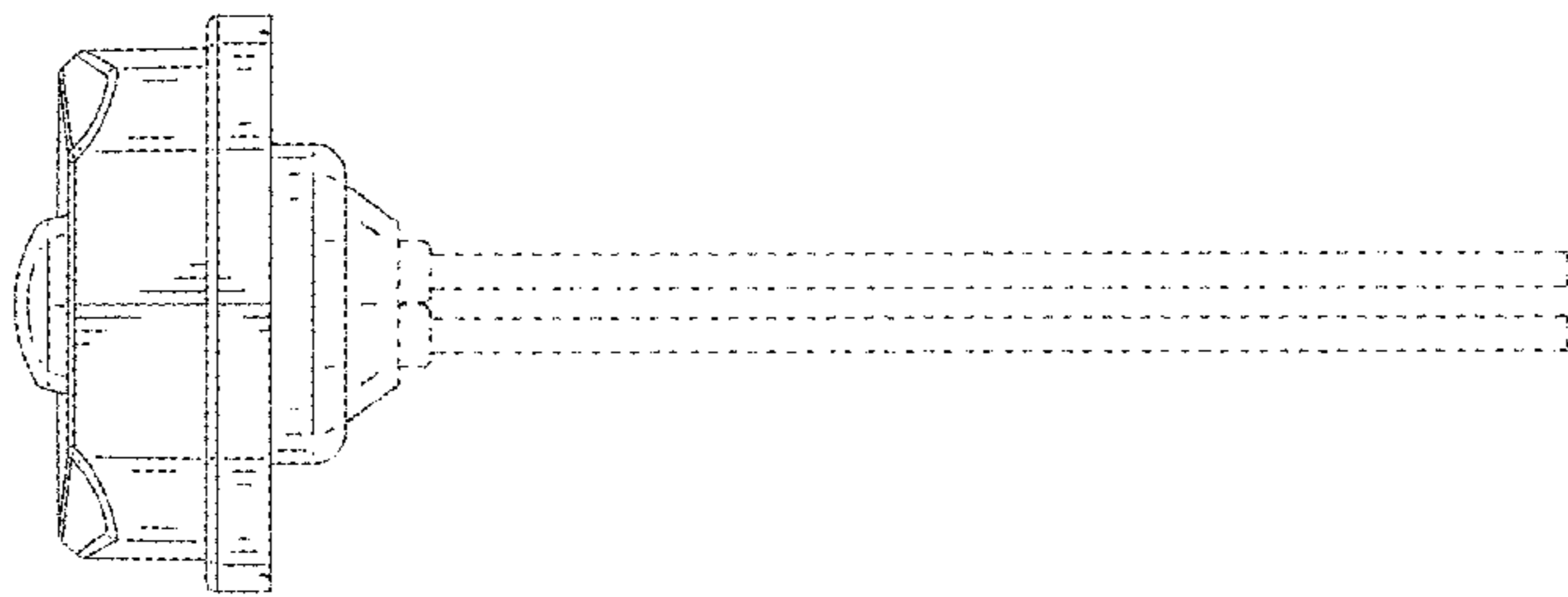


FIG.4

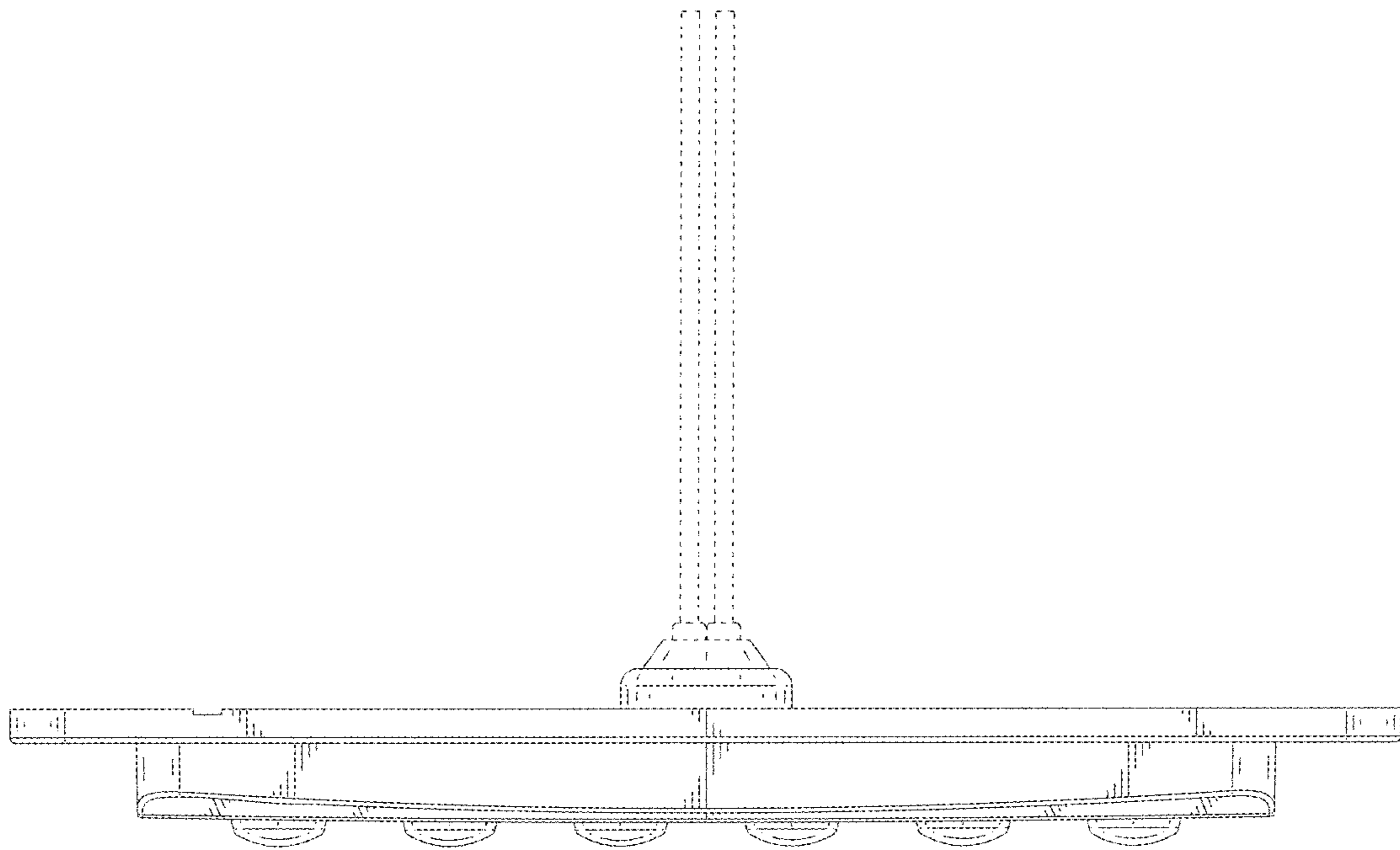


FIG.5

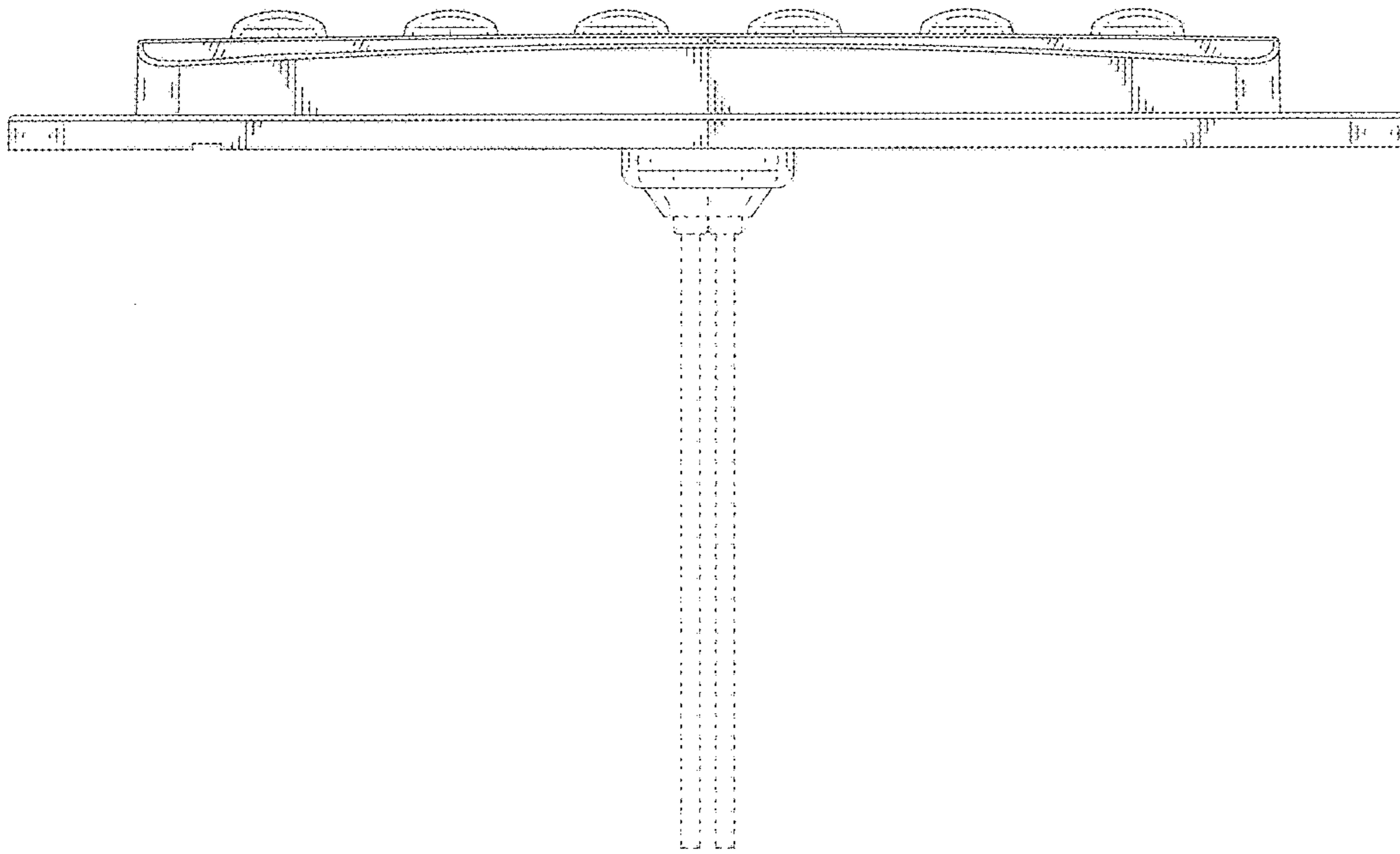


FIG.6

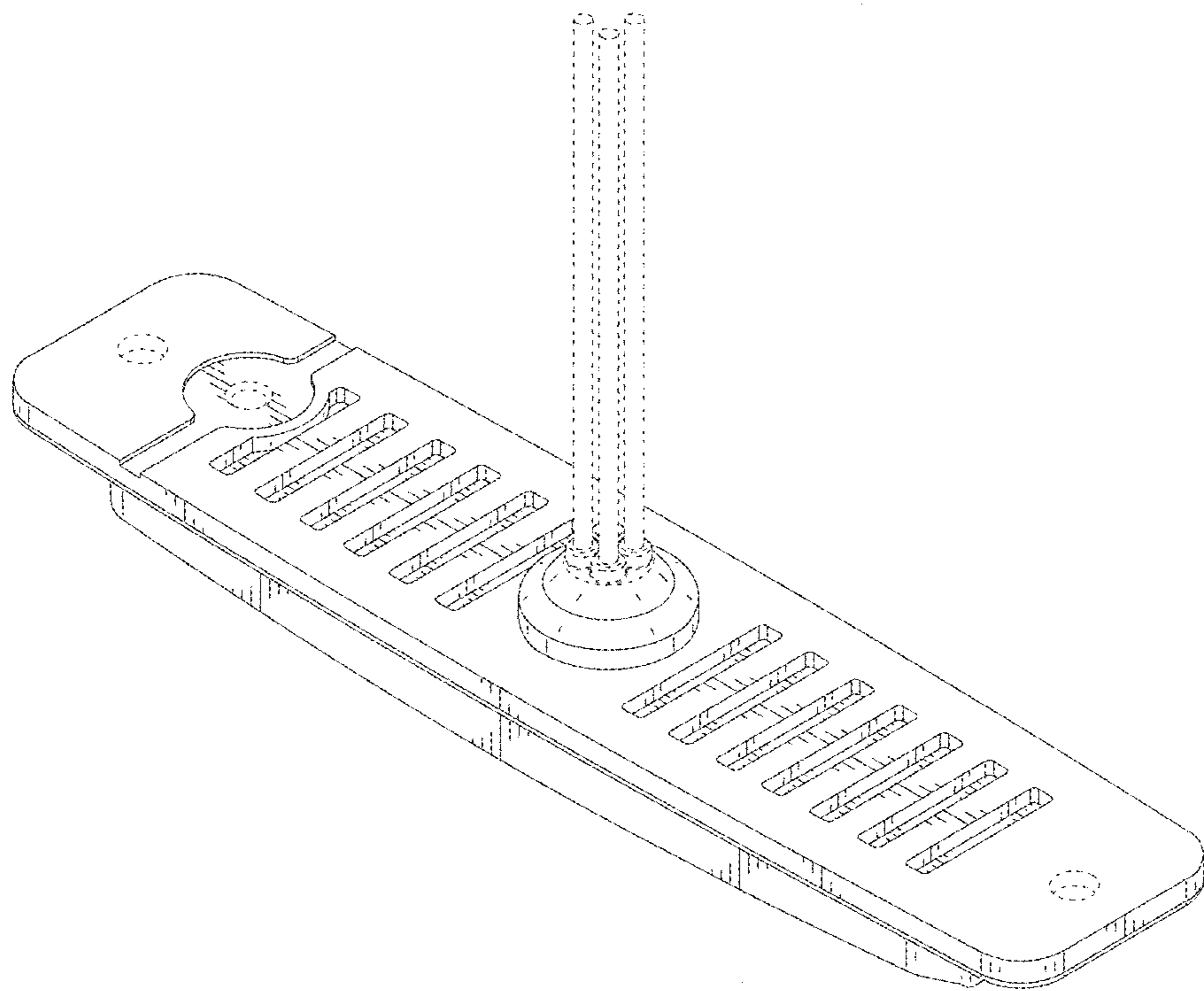


FIG.7

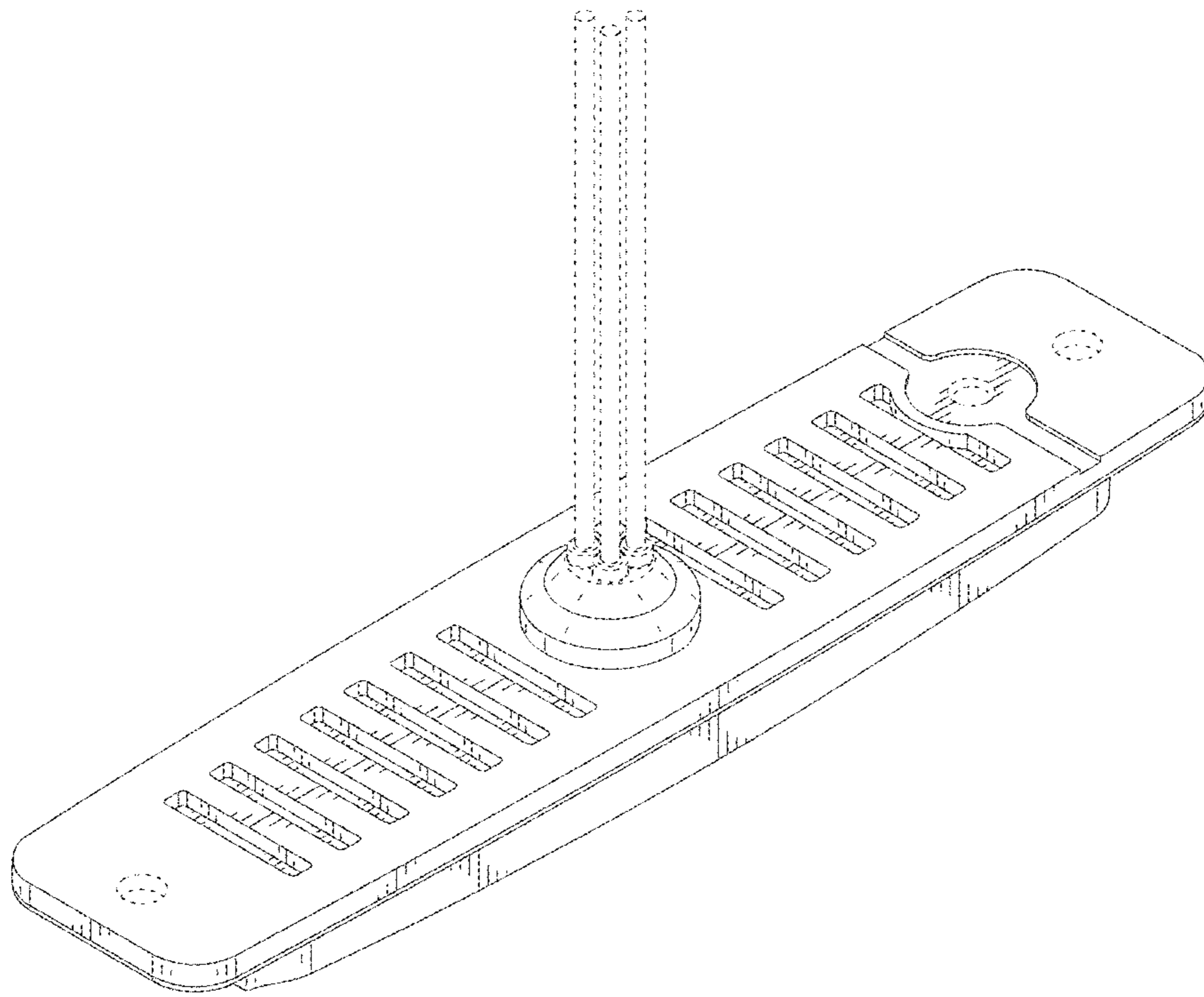


FIG.8

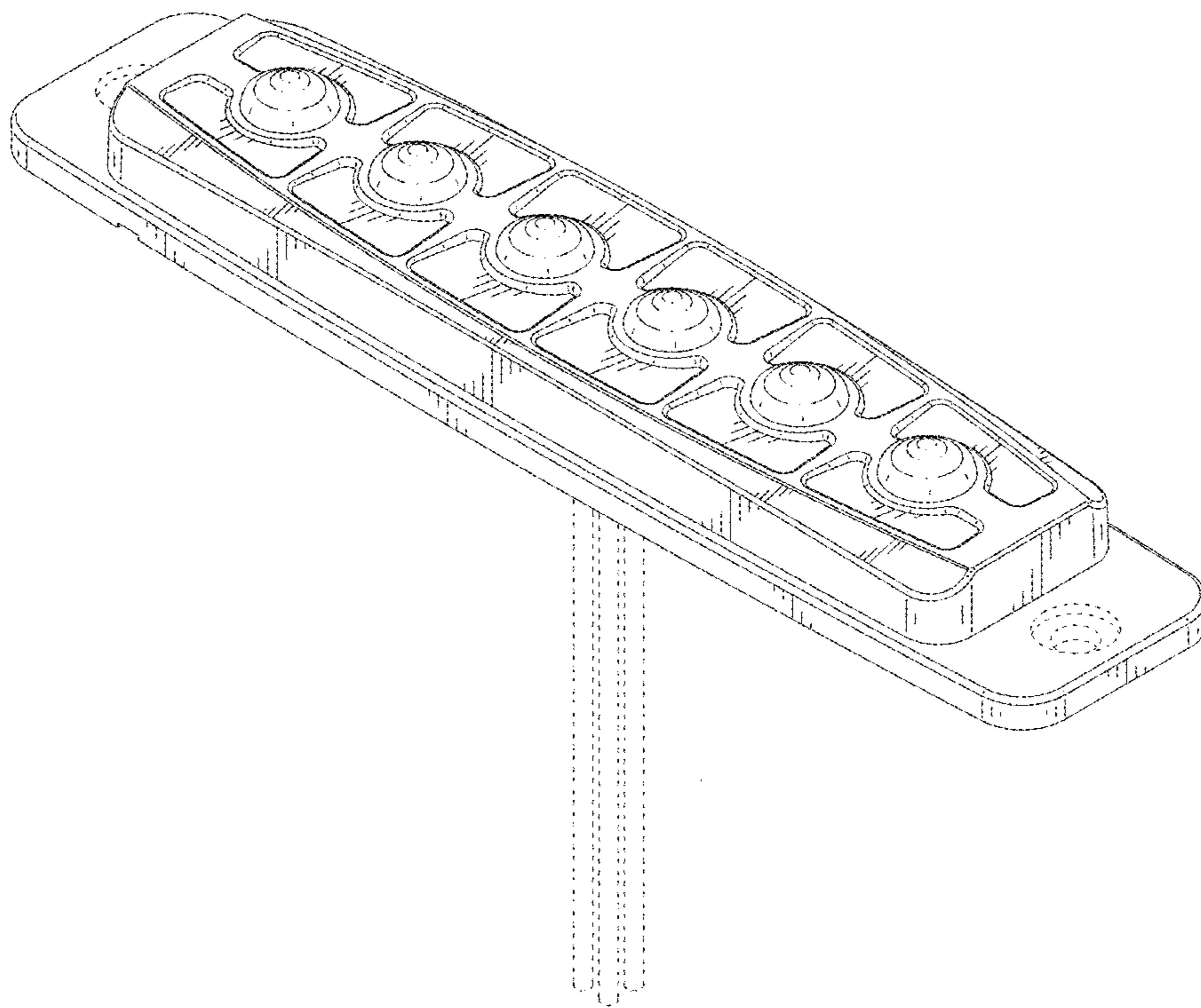


FIG.9

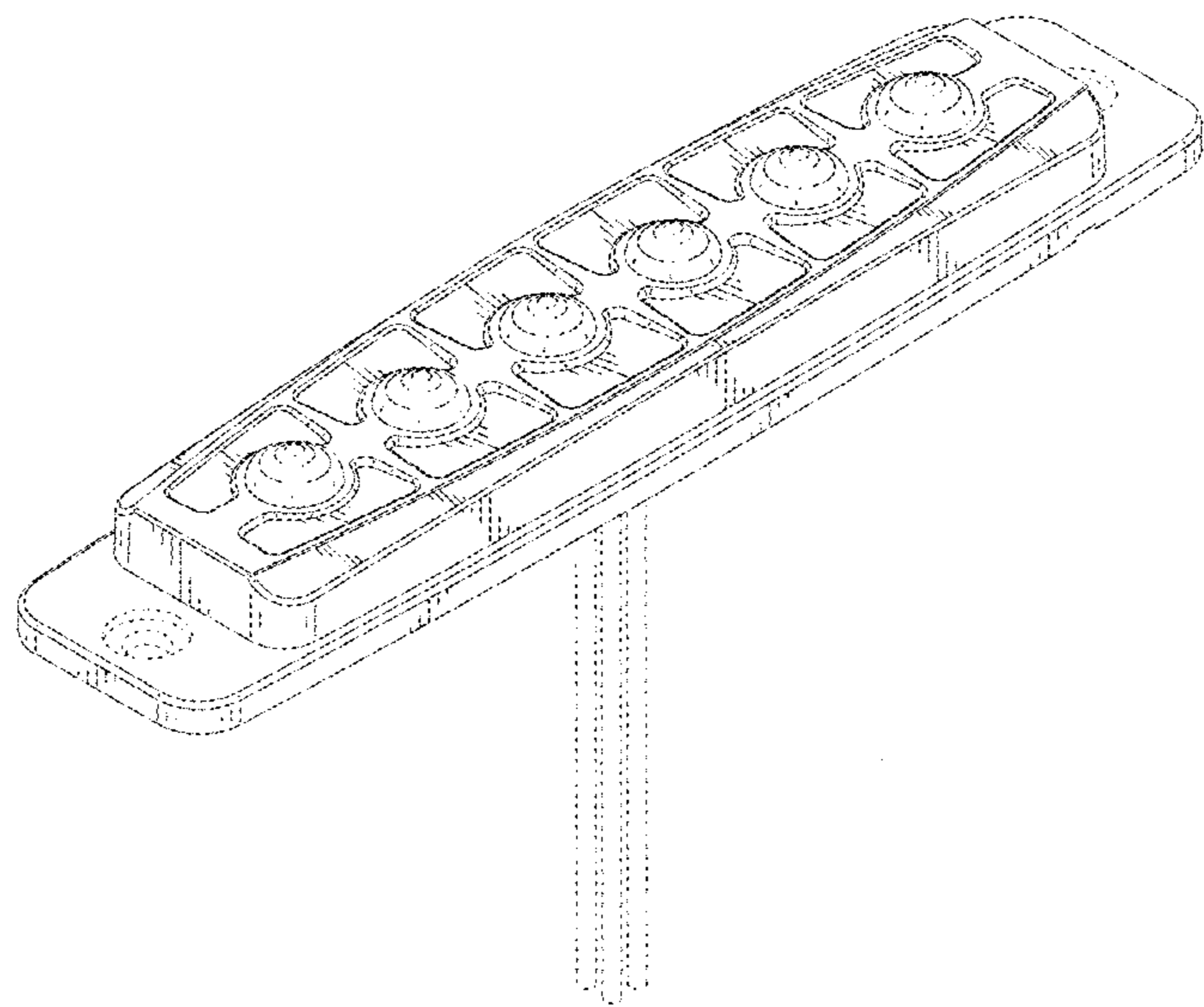


FIG.10