



US00D788954S

(12) **United States Design Patent** (10) **Patent No.:** **US D788,954 S**
Schmoelz et al. (45) **Date of Patent:** **** Jun. 6, 2017**

(54) **HEADLIGHT FOR A MOTOR VEHICLE,
TOY AND/OR REPLICA**

(71) Applicant: **Dr. Ing. h.c.F. Porsche
Aktiengesellschaft, Stuttgart (DE)**

(72) Inventors: **Fabian Schmoelz, Pforzheim (DE);
Emiel Burki, Stuttgart (DE)**

(73) Assignee: **DR. ING. H.C.F. PORSCHE
AKTIENGESELLSCHAFT, Stuttgart
(DE)**

(**) Term: **15 Years**

(21) Appl. No.: **29/547,251**

(22) Filed: **Dec. 2, 2015**

(30) **Foreign Application Priority Data**

Jun. 29, 2015 (DE) 40 2015 100 598

(51) **LOC (10) Cl.** **26-07**

(52) **U.S. Cl.**
USPC **D26/28**

(58) **Field of Classification Search**
USPC D26/28-36; 362/459-468, 475-478,
362/485-487
CPC F21S 48/00; F21S 48/10; F21S 48/115;
F21S 48/225; F21S 48/1233; F21S
48/1266; F21S 48/1388; F21S 48/2268;
F21V 21/04
See application file for complete search history.

(56) **References Cited**

U.S. PATENT DOCUMENTS

D269,210 S * 5/1983 Cutlip D26/24
D312,978 S * 12/1990 Foster D10/114.4

D326,282 S * 5/1992 Spoljaric D20/10
D326,621 S * 6/1992 Jincks D10/114.4
D476,100 S * 6/2003 Lin D26/28
D488,105 S * 4/2004 Stahel D12/114
D588,721 S * 3/2009 Cheng D26/28
D600,376 S * 9/2009 Sugiura D26/28
D601,730 S * 10/2009 Richards D26/28
D713,075 S * 9/2014 Lee D26/28
D722,187 S * 2/2015 Gerardo D26/28
D733,945 S * 7/2015 Kennemer D26/28
D747,511 S * 1/2016 Van Arnam D26/28

* cited by examiner

Primary Examiner — Angela J Lee

(74) *Attorney, Agent, or Firm* — Gerald E. Hespos;
Michael J. Porco; Matthew T. Hespos

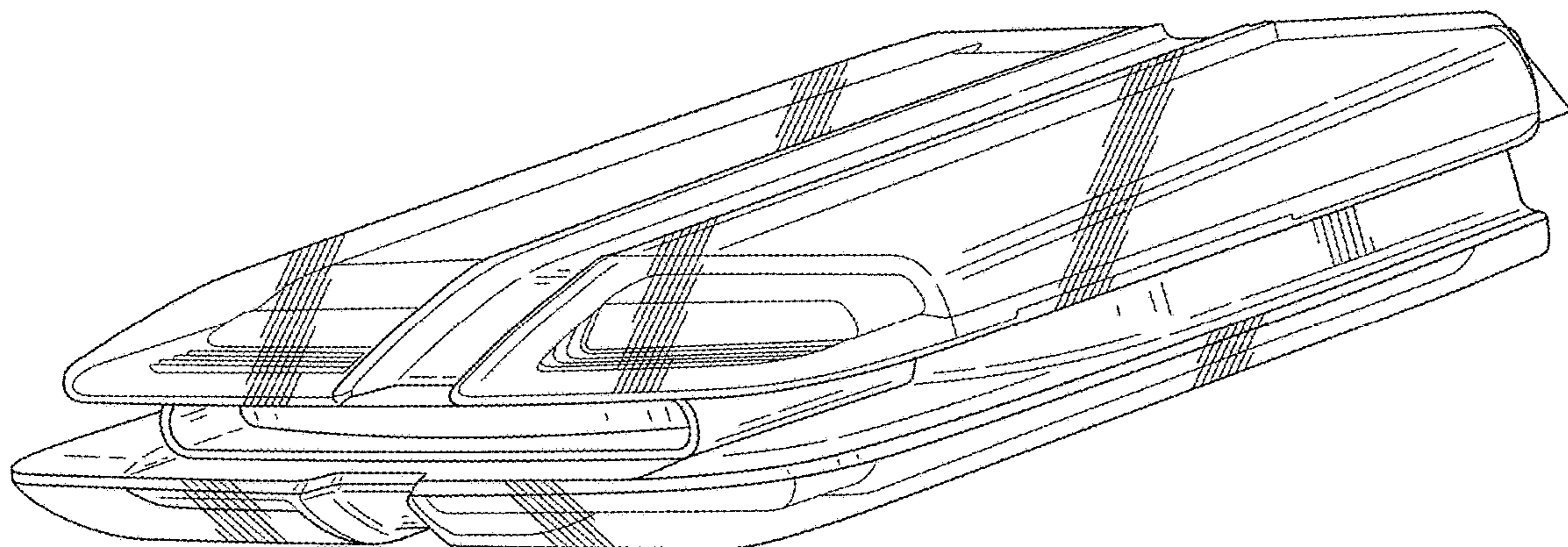
(57) **CLAIM**

The ornamental design of a headlight for a motor vehicle,
toy and/or replica, as shown and described.

DESCRIPTION

FIG. 1 is a front and side perspective of a headlight for a
motor vehicle, toy and/or replica in accordance with my
design;
FIG. 2 is a front elevational view thereof;
FIG. 3 is a rear elevational view thereof;
FIG. 4 is a side elevational view taken from the right side in
FIG. 1;
FIG. 5 is a side elevational view taken from the left side in
FIG. 1;
FIG. 6 is a top plan view thereof; and,
FIG. 7 is a bottom plan view thereof.

1 Claim, 7 Drawing Sheets



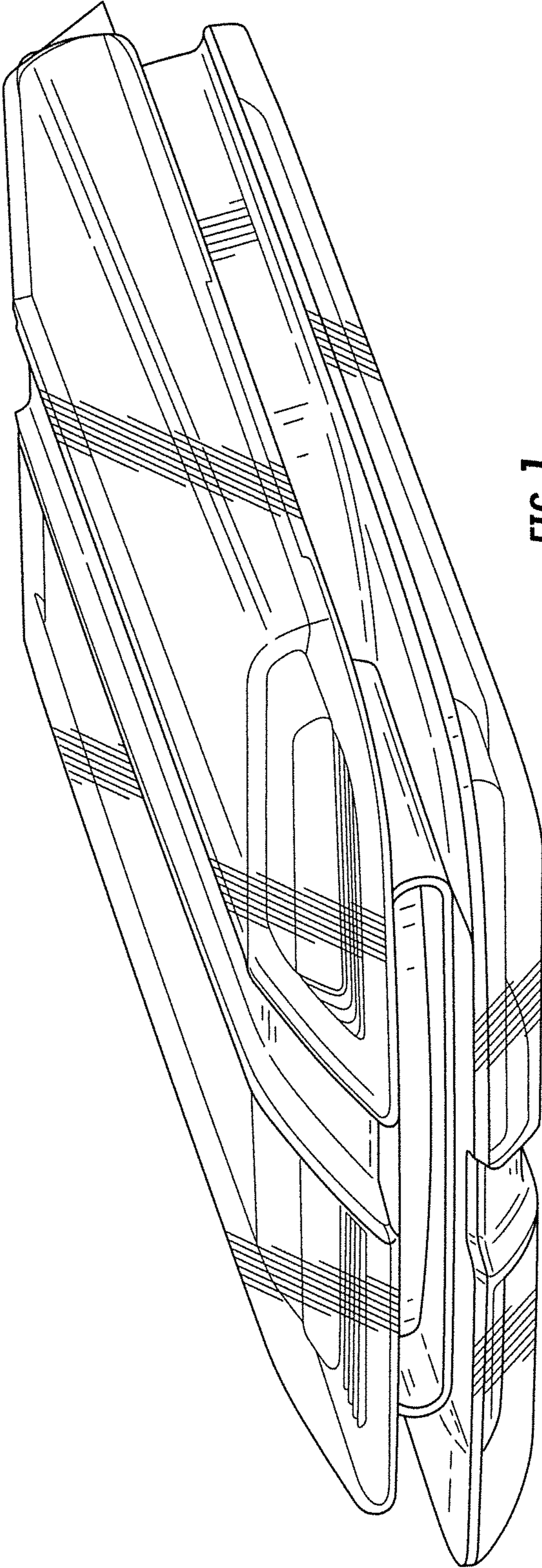


FIG. 1

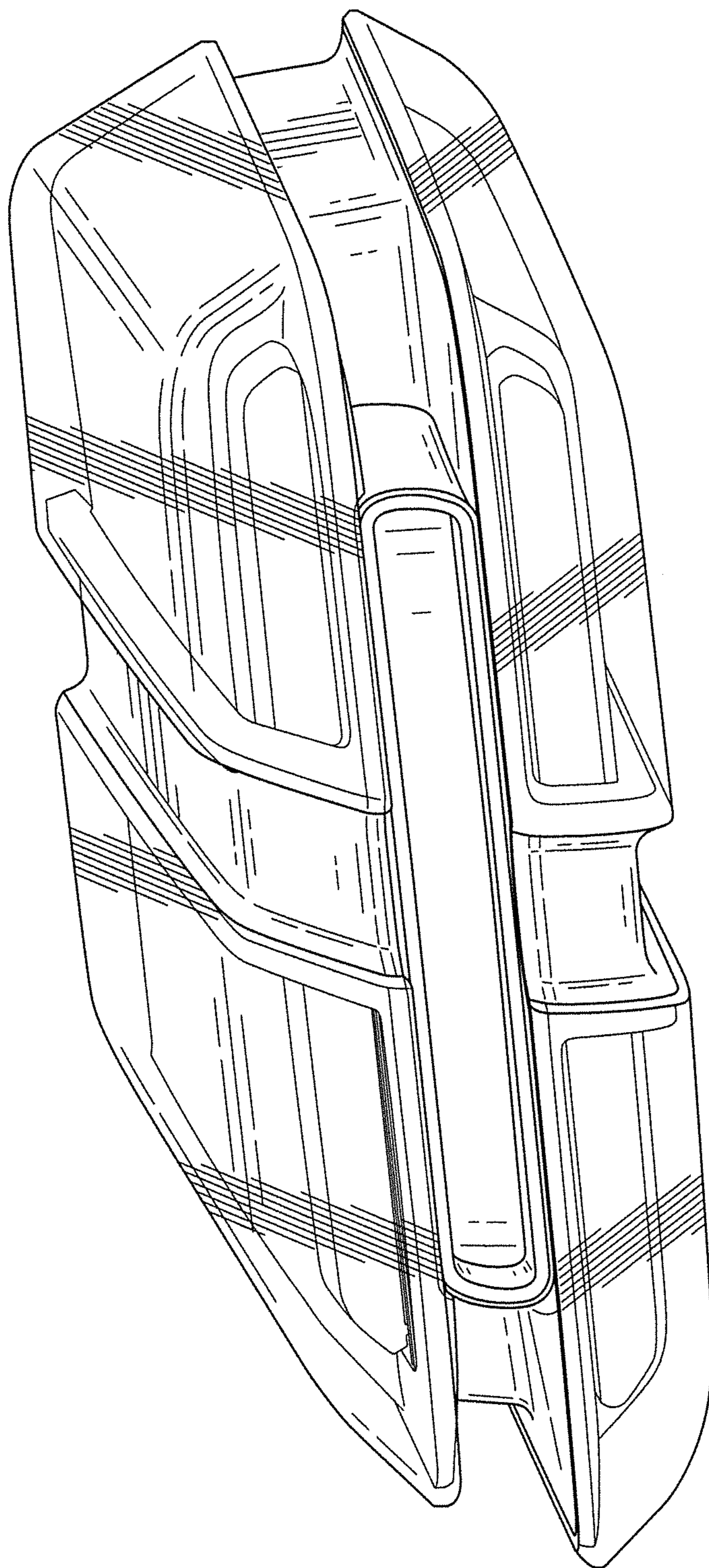


FIG. 2

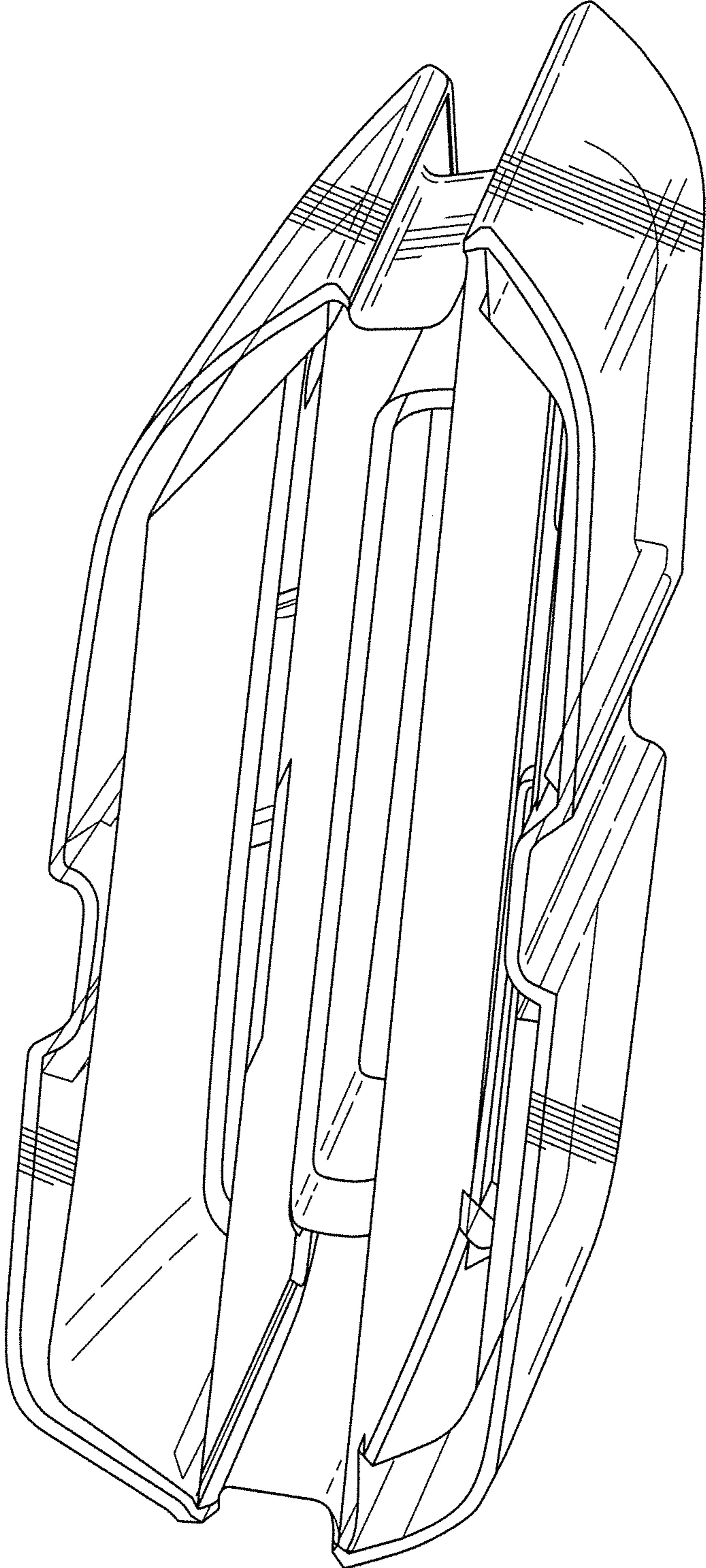


FIG. 3

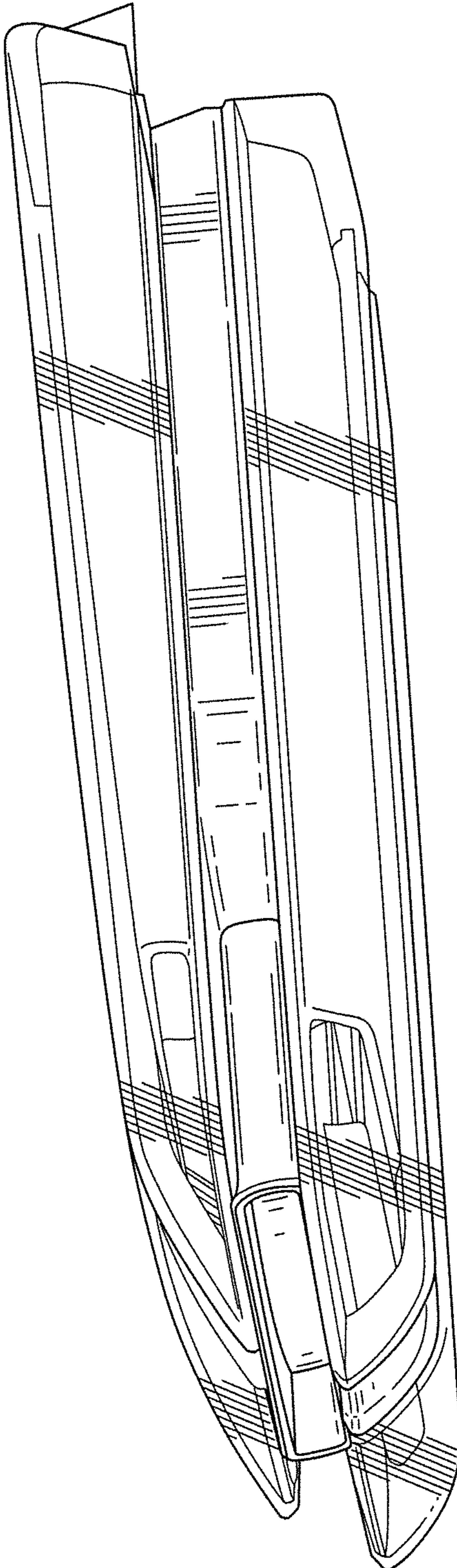


FIG. 4

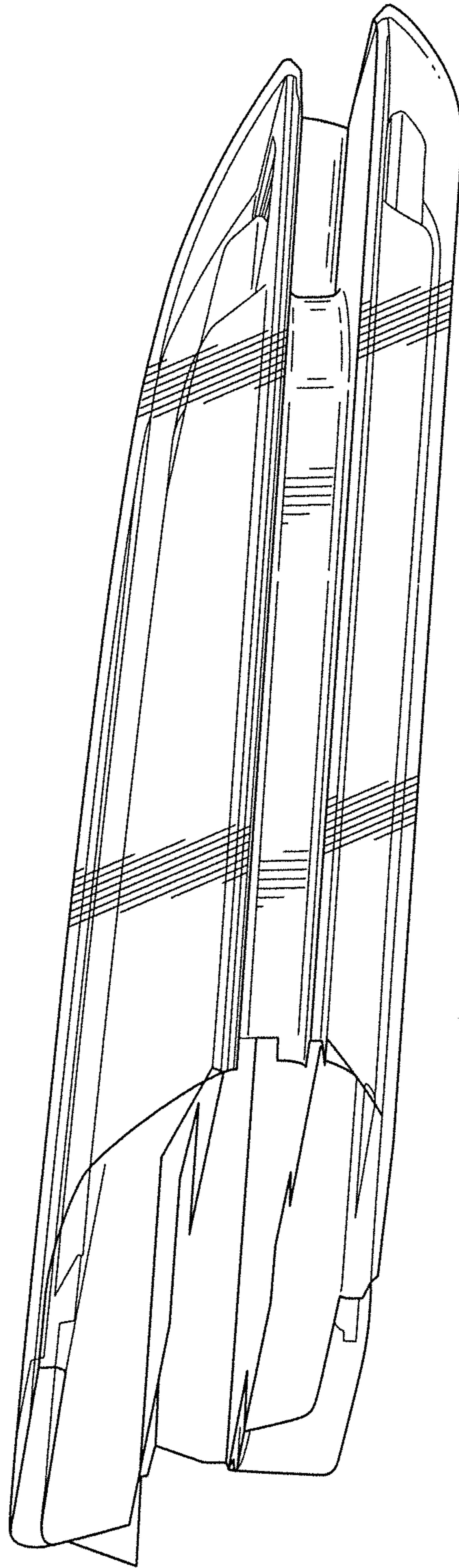


FIG. 5

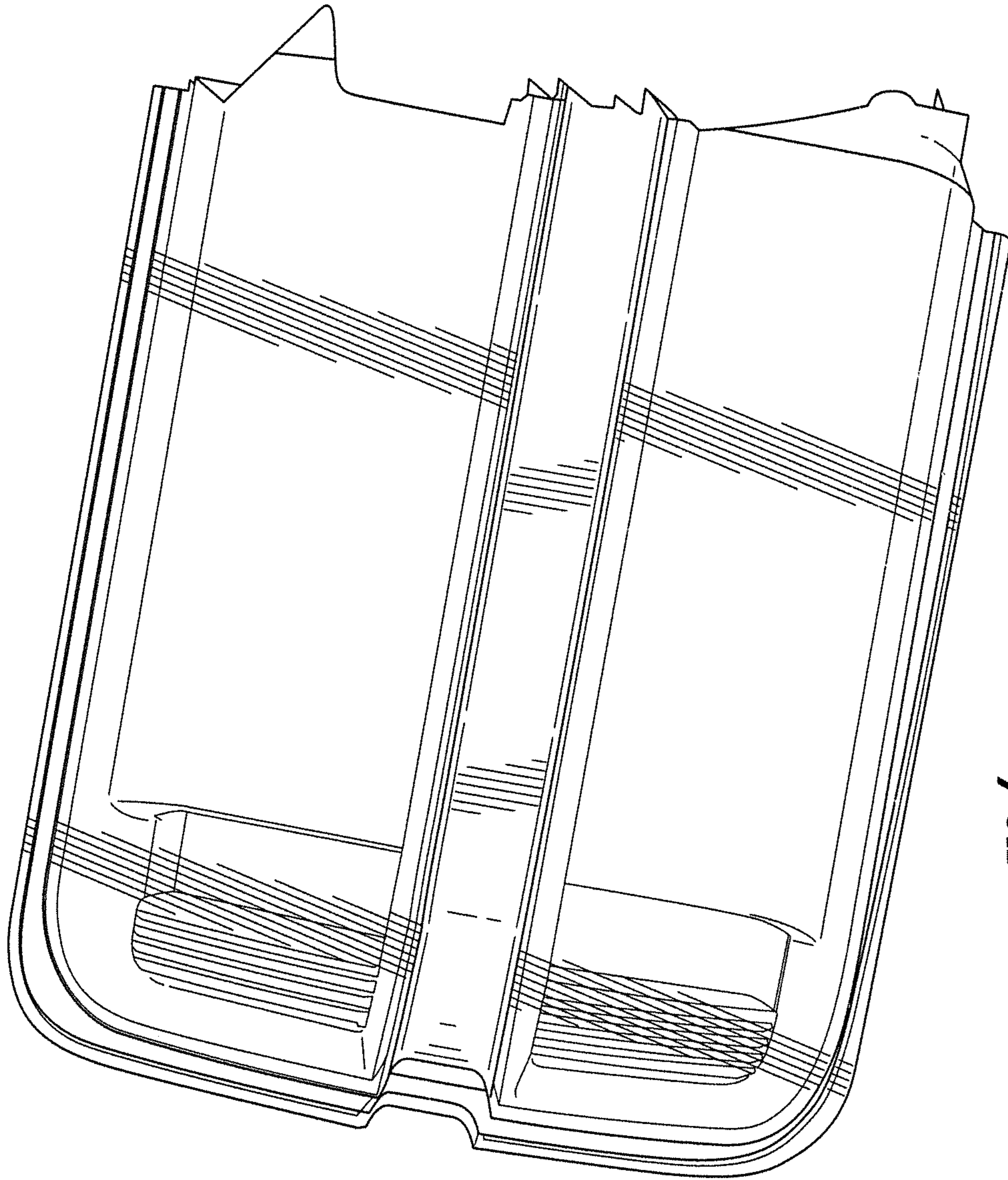


FIG. 6

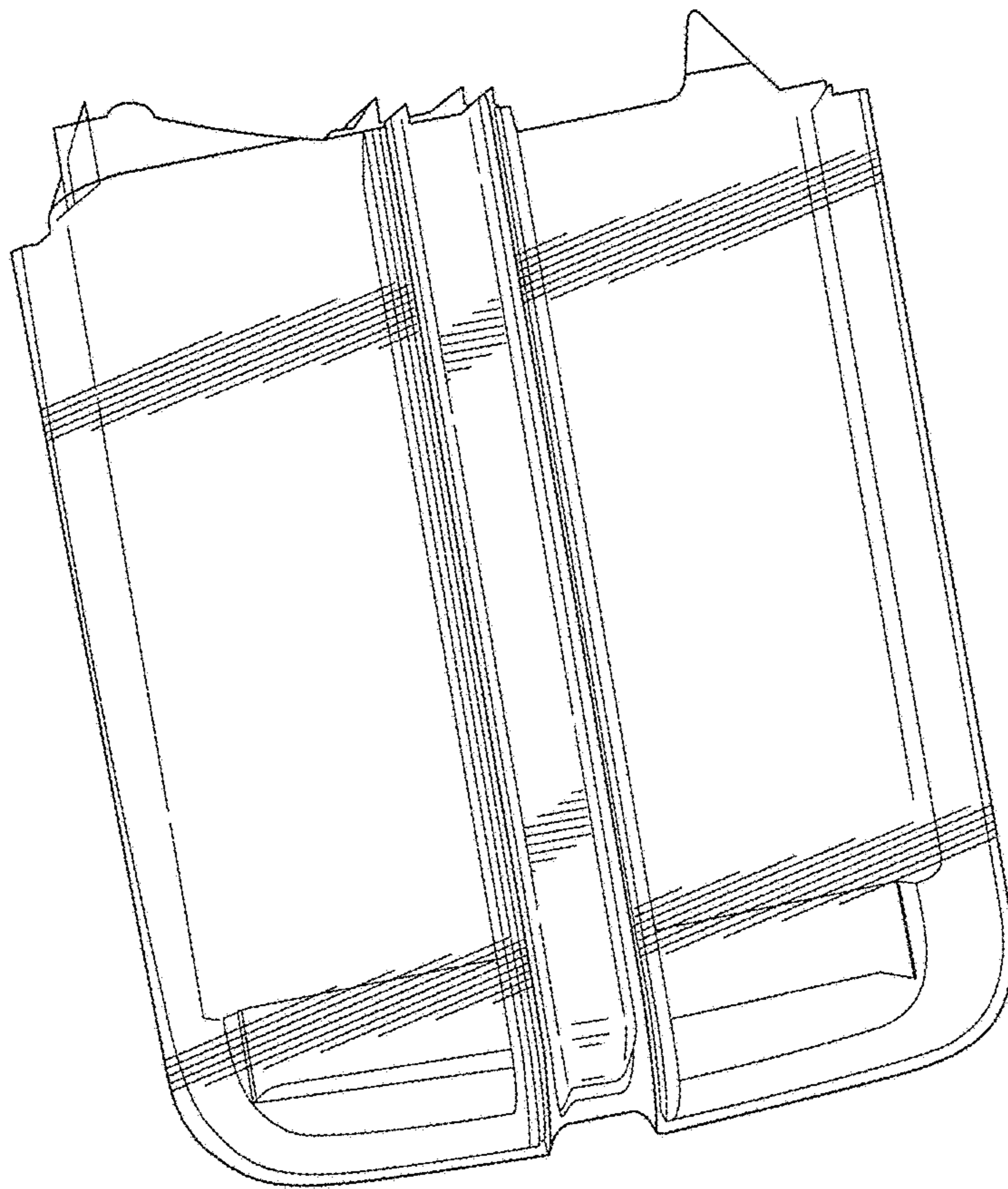


FIG. 7