



US00D788953S

(12) **United States Design Patent** (10) **Patent No.:** **US D788,953 S**  
**Khan** (45) **Date of Patent:** **\*\* Jun. 6, 2017**

- (54) **CANDLE HOLDER**
- (71) Applicant: **Naseem Khan**, Moradabad (IN)
- (72) Inventor: **Naseem Khan**, Moradabad (IN)
- (\*\*) Term: **14 Years**
- (21) Appl. No.: **29/478,905**
- (22) Filed: **Jan. 9, 2014**
- (51) **LOC (10) Cl.** ..... **26-01**
- (52) **U.S. Cl.**  
USPC ..... **D26/22**
- (58) **Field of Classification Search**  
USPC ..... D26/1-23; 431/291, 311, 320, 298, 288;  
362/161-163, 351, 569, 392  
See application file for complete search history.

- D631,581 S \* 1/2011 Franklin ..... D26/22
- D634,038 S \* 3/2011 Ritzenhoff ..... D26/22
- D660,996 S \* 5/2012 Rein ..... D26/22

\* cited by examiner

*Primary Examiner* — T. Chase Nelson  
*Assistant Examiner* — Ania Aman  
(74) *Attorney, Agent, or Firm* — McNeely, Hare & War  
LLP; Simana Rao, Esq.

(57) **CLAIM**

The ornamental design for a candle holder, as shown and described.

**DESCRIPTION**

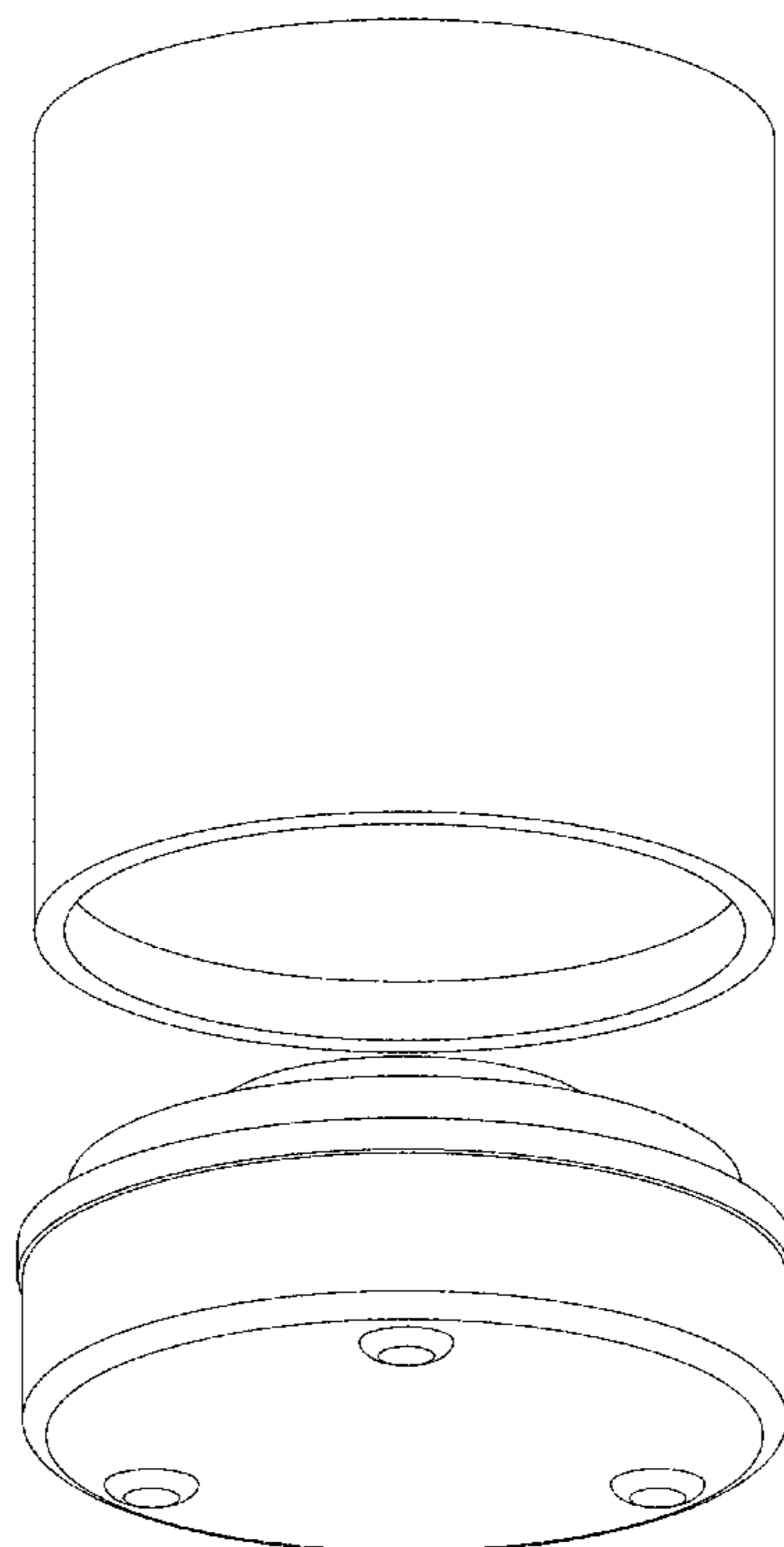
FIG. 1 is a perspective exploded front view of the instant invention;  
FIG. 2 is an exploded front view of the instant invention;  
FIG. 3 is a perspective exploded bottom view of the instant invention;  
FIG. 4 is a bottom view of the instant invention;  
FIG. 5 is a bottom perspective view of the instant invention;  
FIG. 6 is a back view of the instant invention with the front view being a mirror image thereof;  
FIG. 7 is a top view of the instant invention;  
FIG. 8 is a top perspective view of the instant invention;  
FIG. 9 is a right side view of the instant invention;  
FIG. 10 is a left side view of the instant invention; and,  
FIG. 11 is a perspective view looking through the top piece of the instant invention.  
The broken lines shown in the drawings are for the purpose of illustrating portions of the article that form no part of the claimed design.

(56) **References Cited**

**U.S. PATENT DOCUMENTS**

- 6,120,283 A \* 9/2000 Cousins ..... F21V 35/00  
248/511
- D433,168 S \* 10/2000 Cousins ..... D26/9
- D542,431 S \* 5/2007 Valentino ..... D26/11
- D542,432 S \* 5/2007 Valentino ..... D26/11
- D542,433 S \* 5/2007 Valentino ..... D26/11
- D542,437 S \* 5/2007 Snow ..... D26/22
- D543,647 S \* 5/2007 Goldenberg ..... D26/11
- D625,853 S \* 10/2010 Franklin ..... D26/22
- D625,854 S \* 10/2010 Franklin ..... D26/22
- D625,855 S \* 10/2010 Franklin ..... D26/22
- D625,856 S \* 10/2010 Franklin ..... D26/22
- D631,579 S \* 1/2011 Franklin ..... D26/22
- D631,580 S \* 1/2011 Franklin ..... D26/22

**1 Claim, 11 Drawing Sheets**



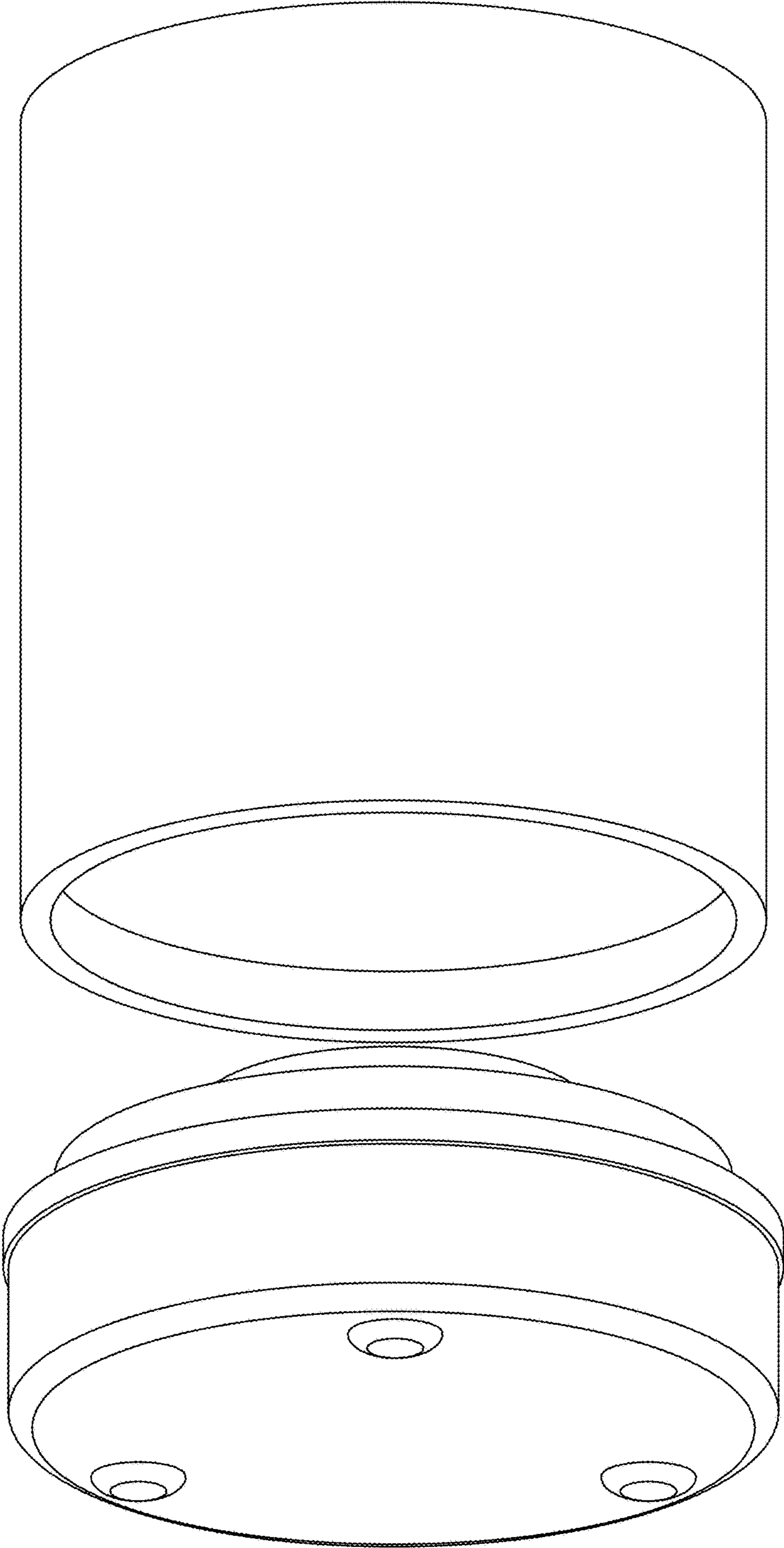
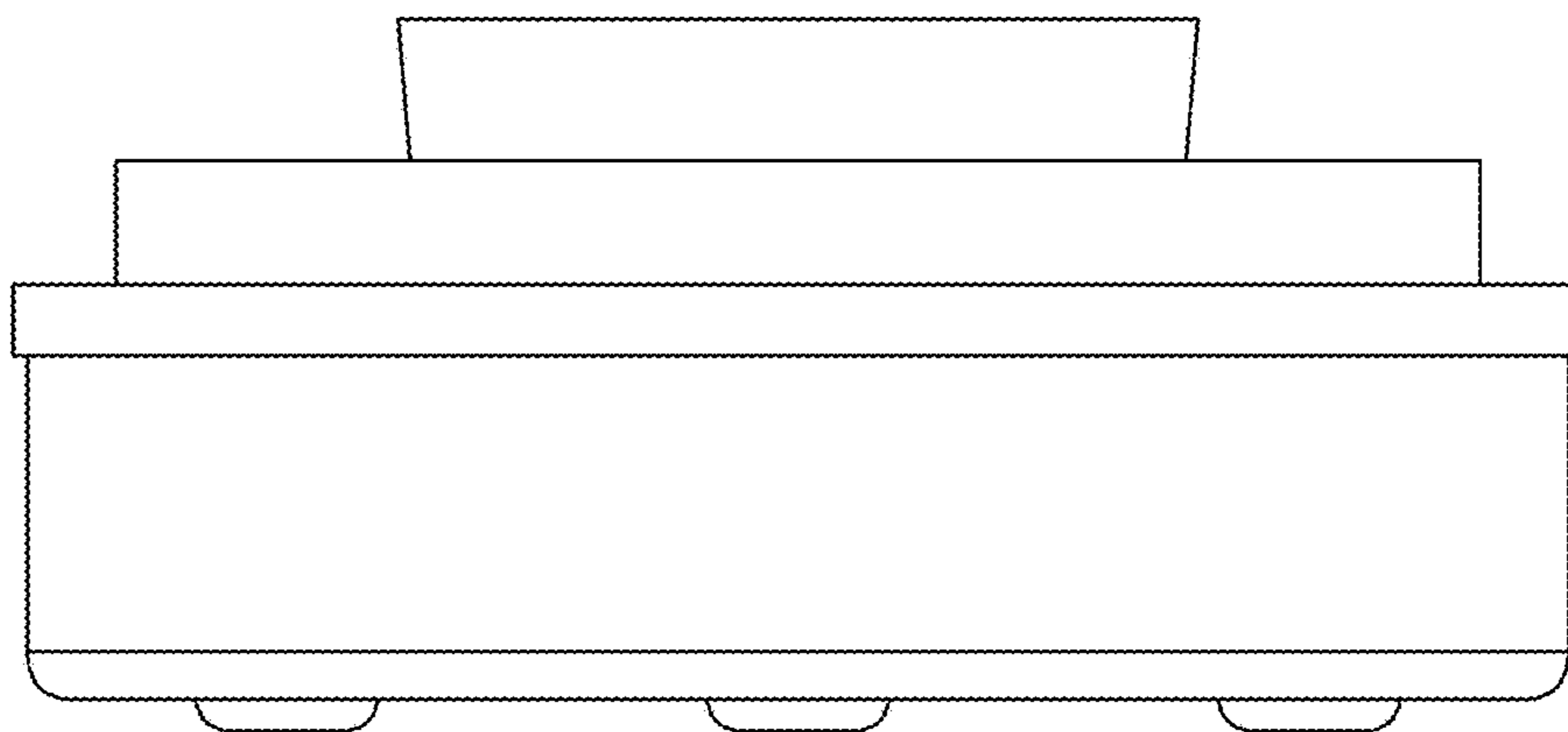
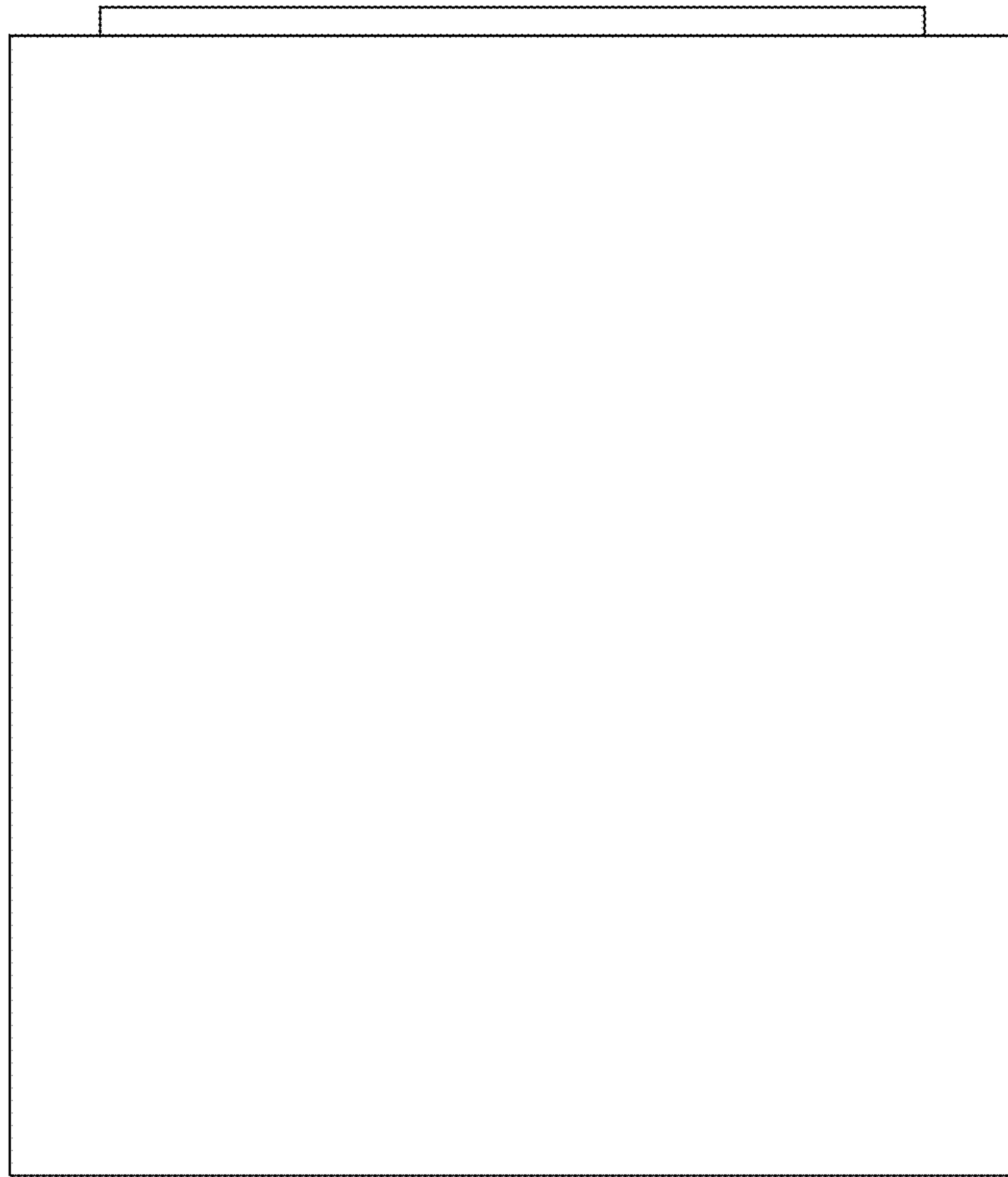
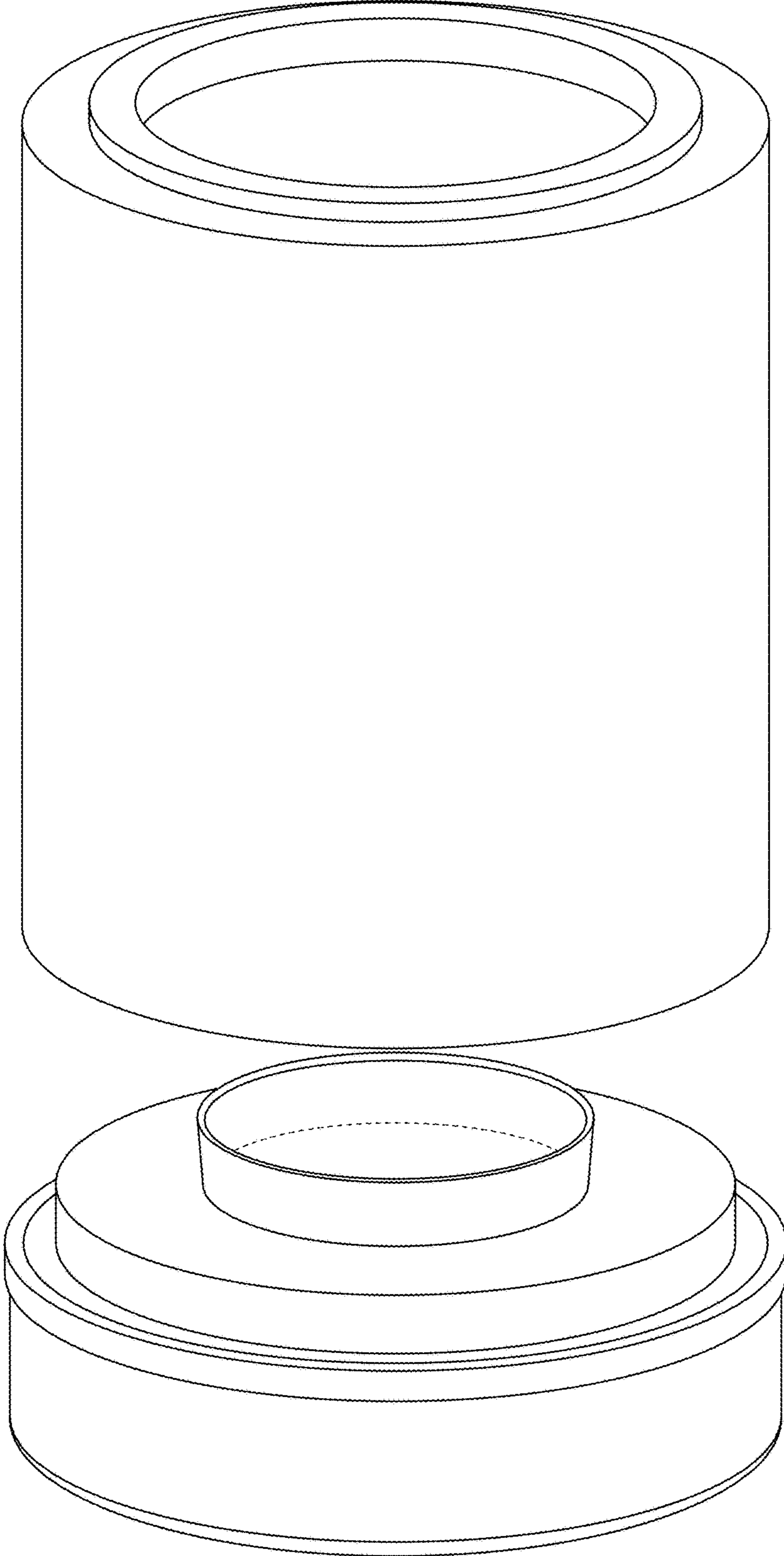


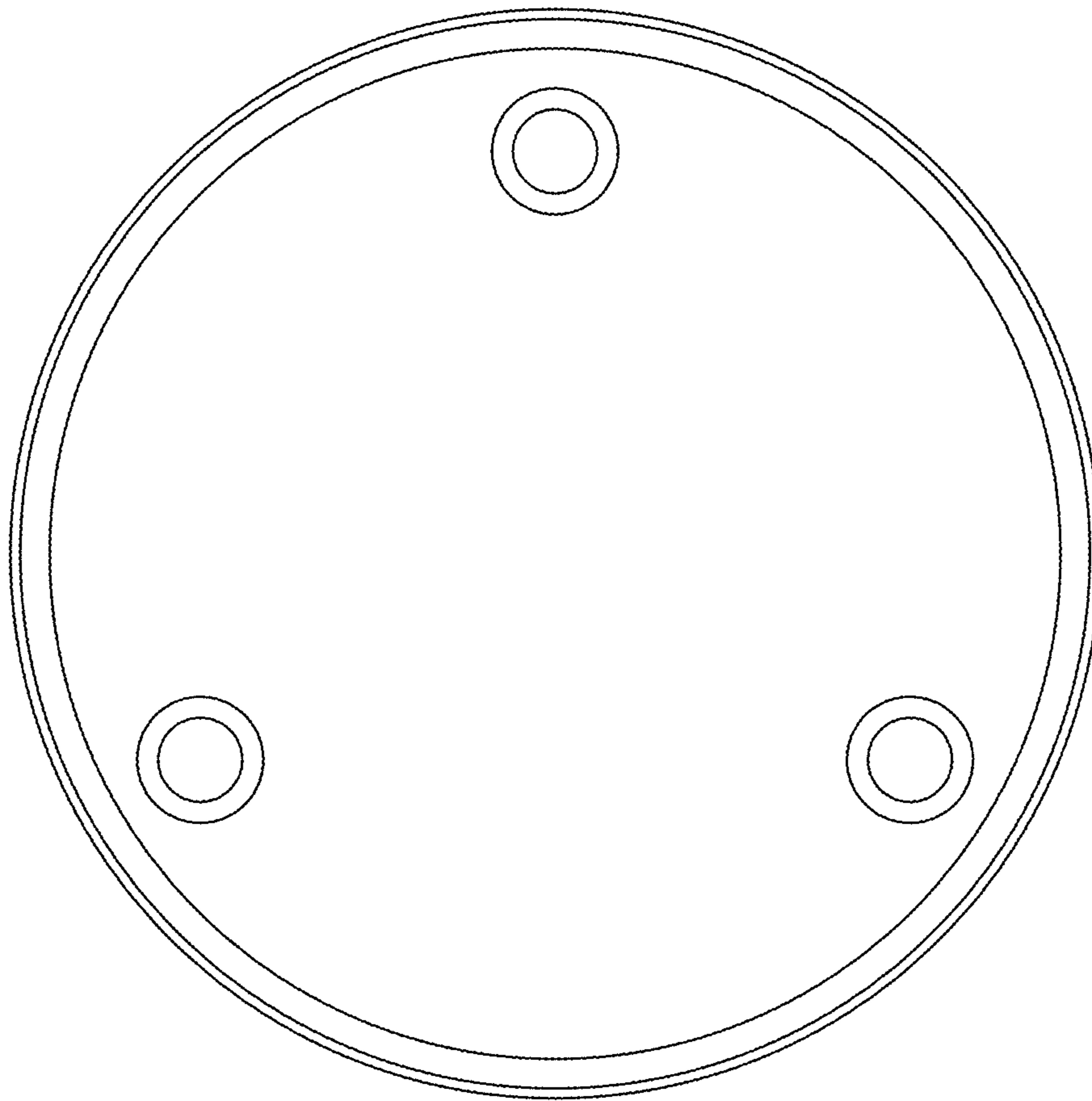
FIG. 1



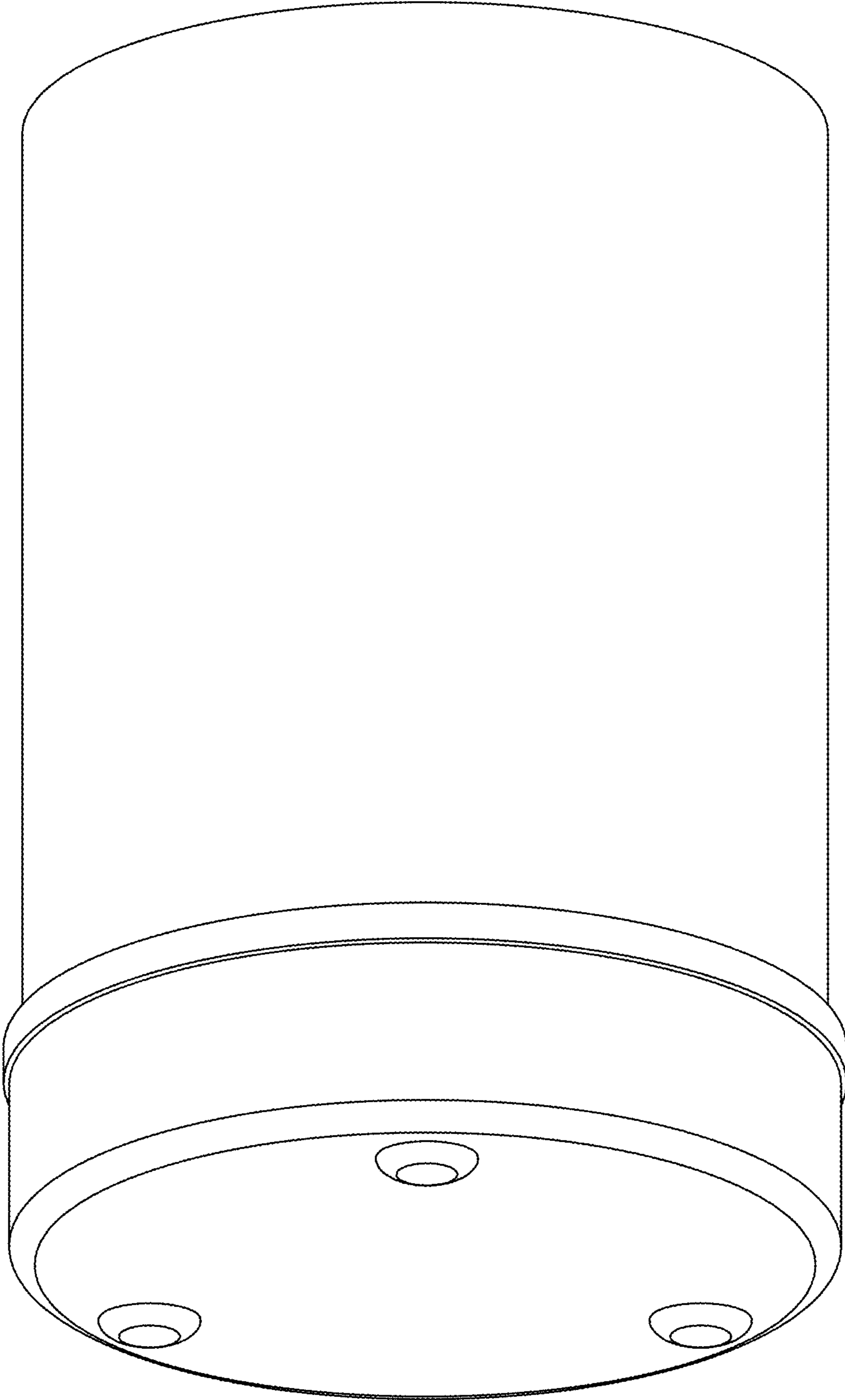
**FIG. 2**



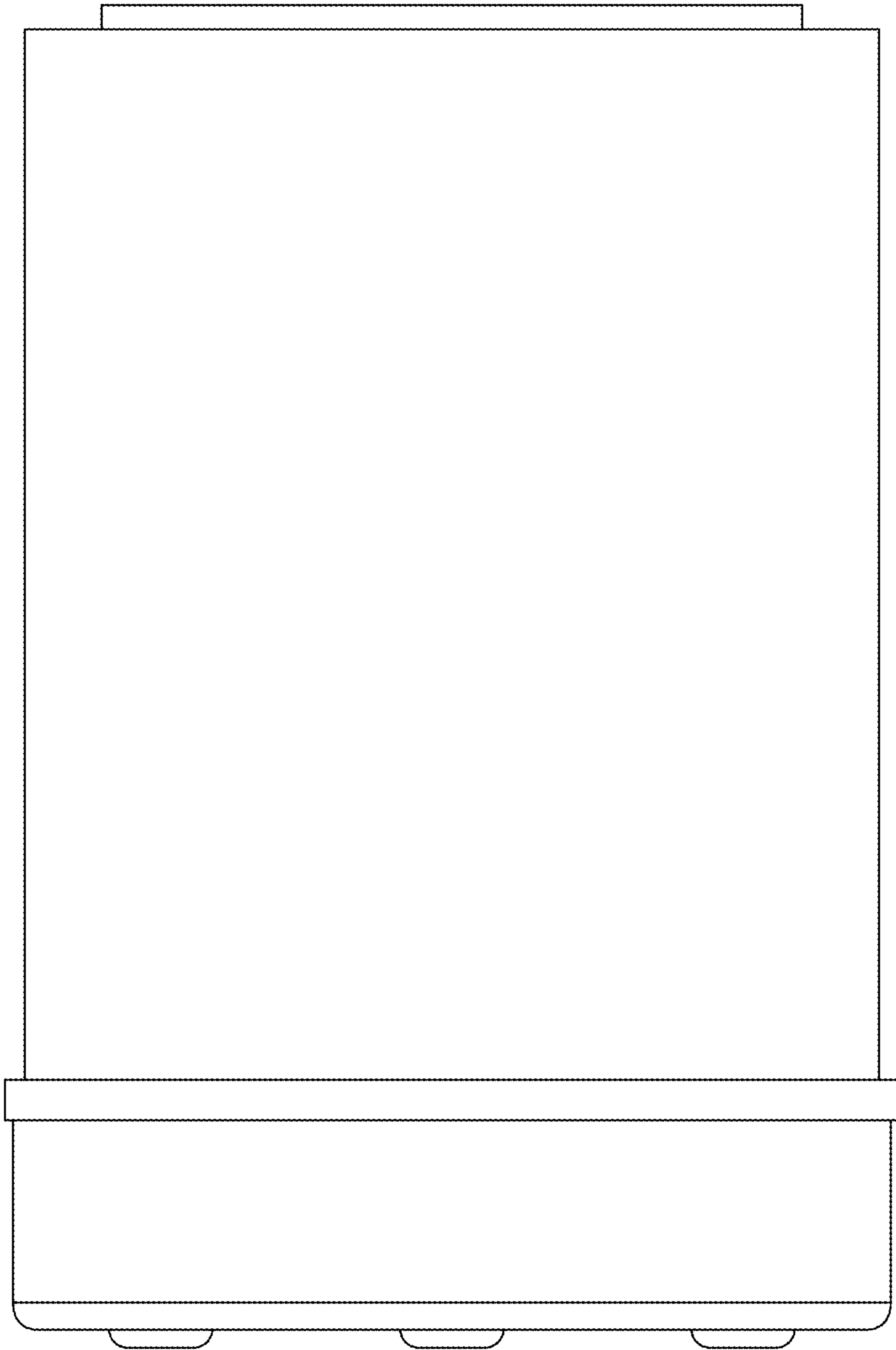
**FIG. 3**



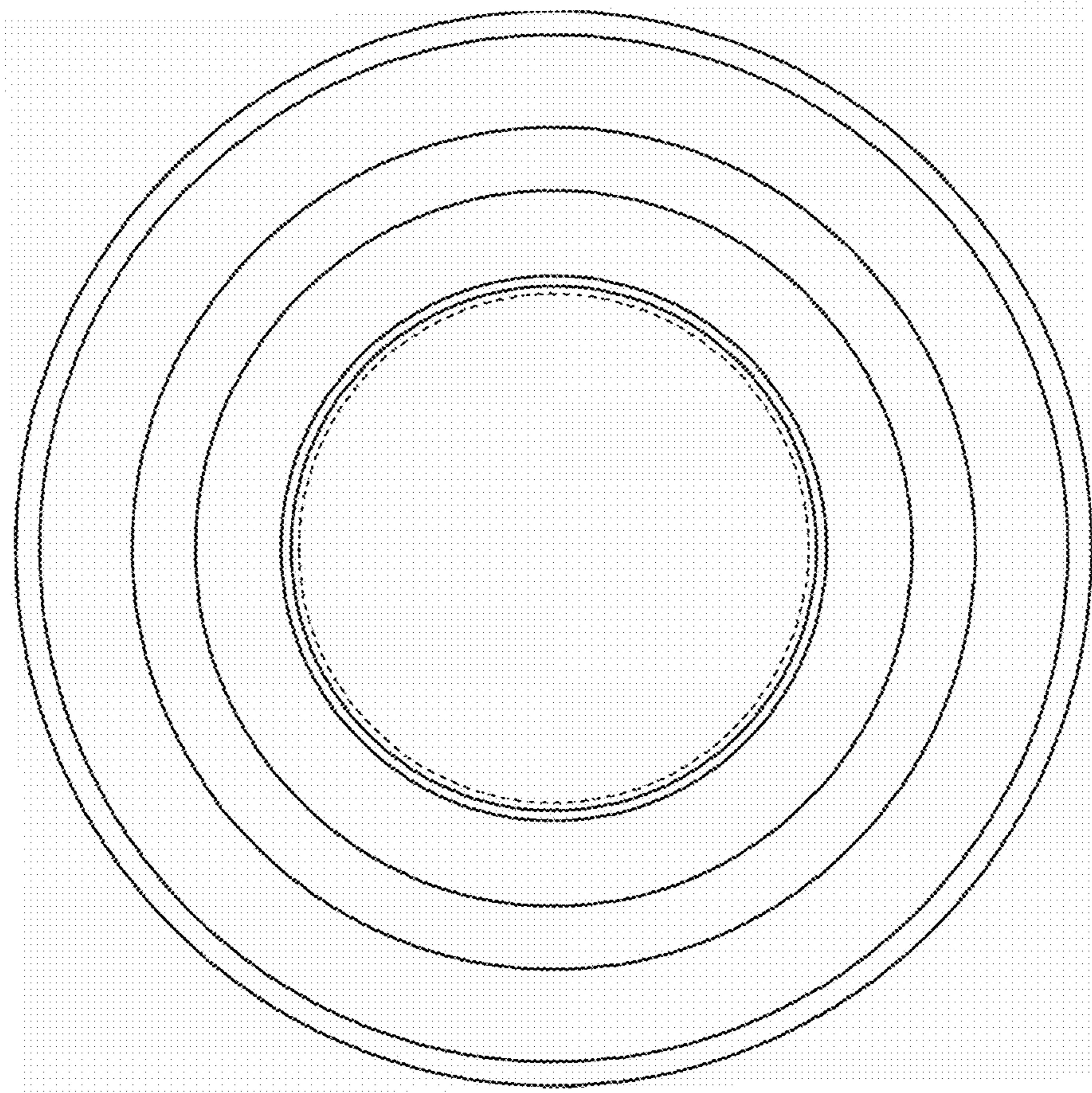
**FIG. 4**



**FIG. 5**

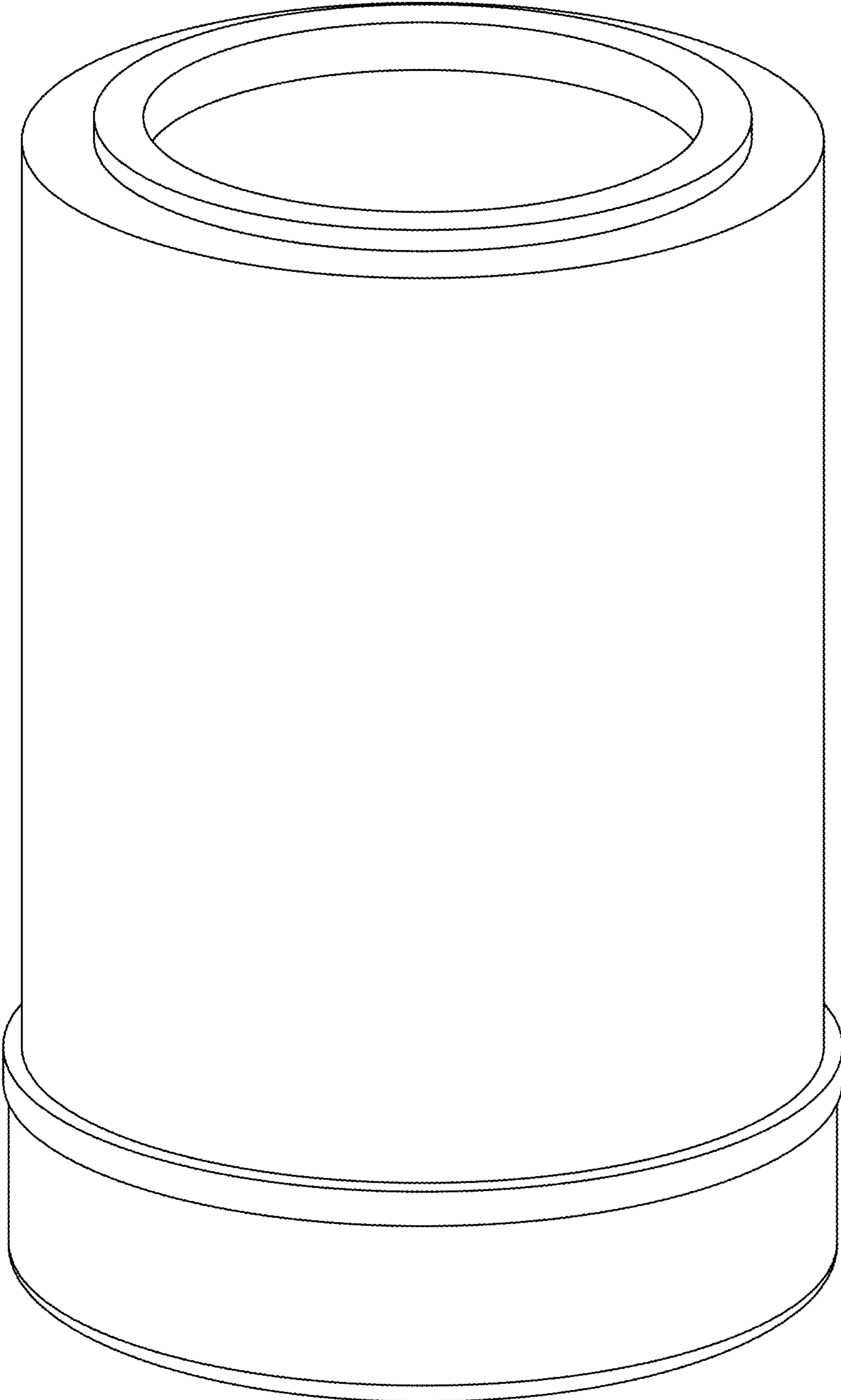


**FIG. 6**

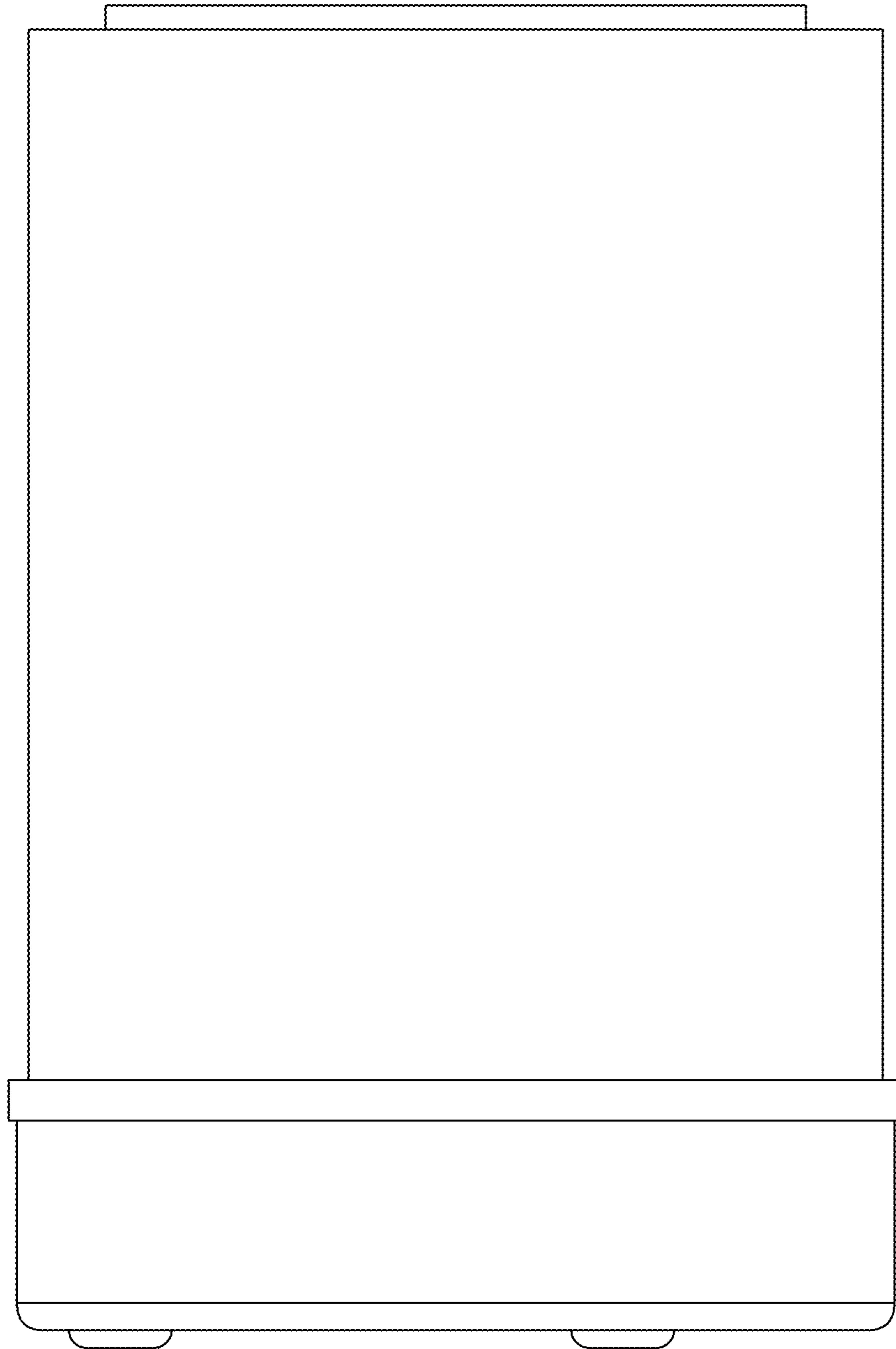


**FIG. 7**

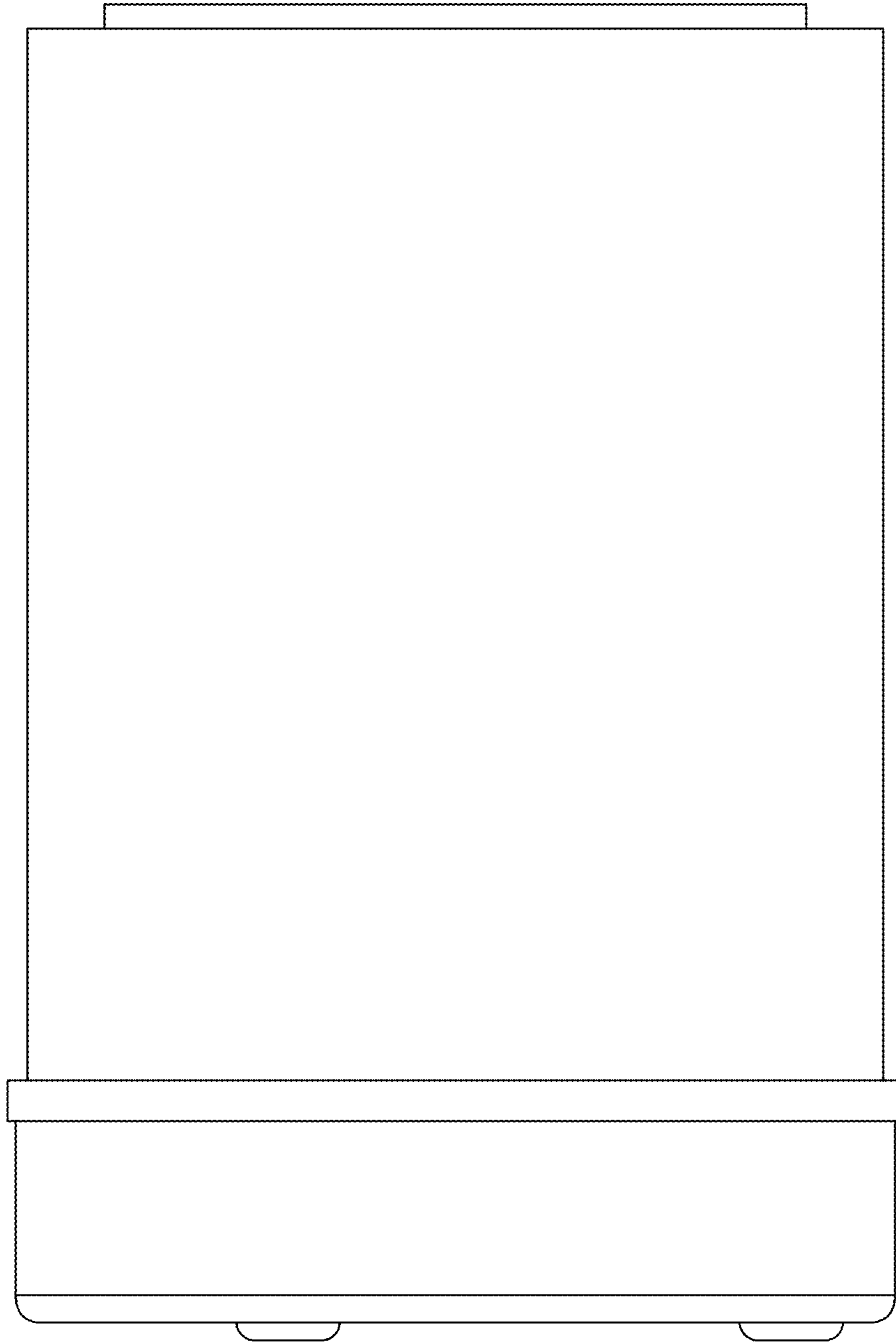




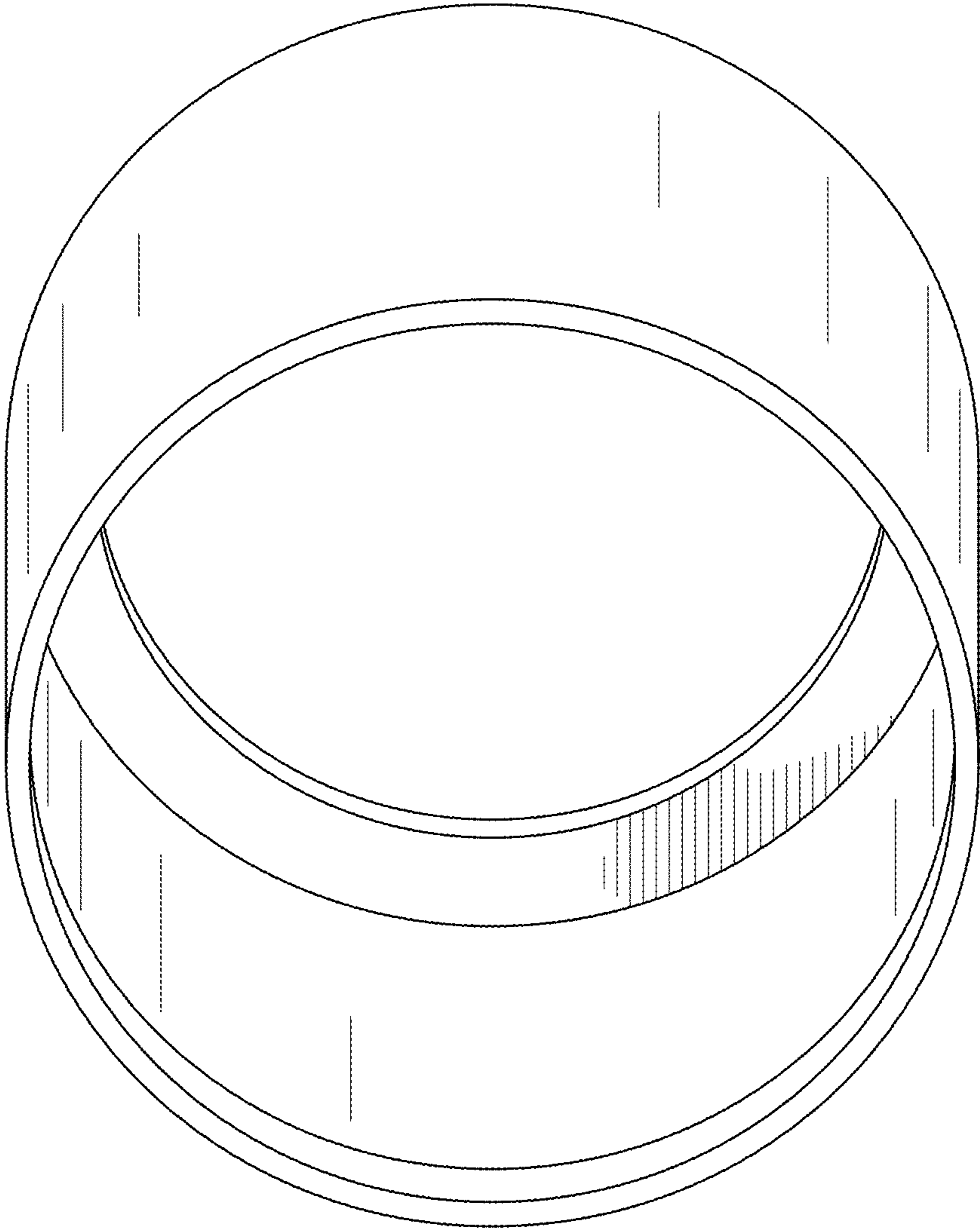
**FIG. 8**



**FIG. 9**



**FIG. 10**



**FIG. 11**