



US00D788952S

(12) **United States Design Patent**
Goltche

(10) **Patent No.:** **US D788,952 S**

(45) **Date of Patent:** **** Jun. 6, 2017**

(54) **LED LIGHT LENS**

D663,048 S * 7/2012 Chen D26/1

(71) Applicant: **Yehuda Goltche**, Great Neck, NY (US)

* cited by examiner

(72) Inventor: **Yehuda Goltche**, Great Neck, NY (US)

Primary Examiner — Marcus Jackson

(**) Term: **15 Years**

(74) *Attorney, Agent, or Firm* — Dunlap Bennett & Ludwig PLLC

(21) Appl. No.: **29/557,765**

(22) Filed: **Mar. 11, 2016**

(57) **CLAIM**

Related U.S. Application Data

The ornamental design for a LED light lens, as shown and described.

(63) Continuation-in-part of application No. 29/546,842, filed on Nov. 25, 2015, now Pat. No. Des. 771,304.

(51) **LOC (10) Cl.** **26-04**

DESCRIPTION

(52) **U.S. Cl.**

USPC **D26/1**

(58) **Field of Classification Search**

USPC D26/1-4; 313/313, 315, 316, 317, 318, 313/493; 315/52, 53, 56, 57, 58

CPC F21S 8/00; F21S 8/031; F21V 2/00; F21V 5/00; F21Y 2103/03; H01J 5/48; H01J 5/50; H01J 19/54

See application file for complete search history.

FIG. 1 is a front perspective view of a LED light lens; FIG. 2 is a top plan view of FIG. 1; FIG. 3 is a bottom plan view of FIG. 1; FIG. 4 is a right side elevation view of FIG. 1, the left side elevation view being a mirror image thereof; FIG. 5 is a front elevation view of FIG. 1, the rear elevation view being a mirror image thereof; FIG. 6 is a section view of FIG. 1, taken along line 6-6 in FIG. 2; and, FIG. 7 is a detail view of FIG. 1, taken along line 7-7 in FIG. 5.

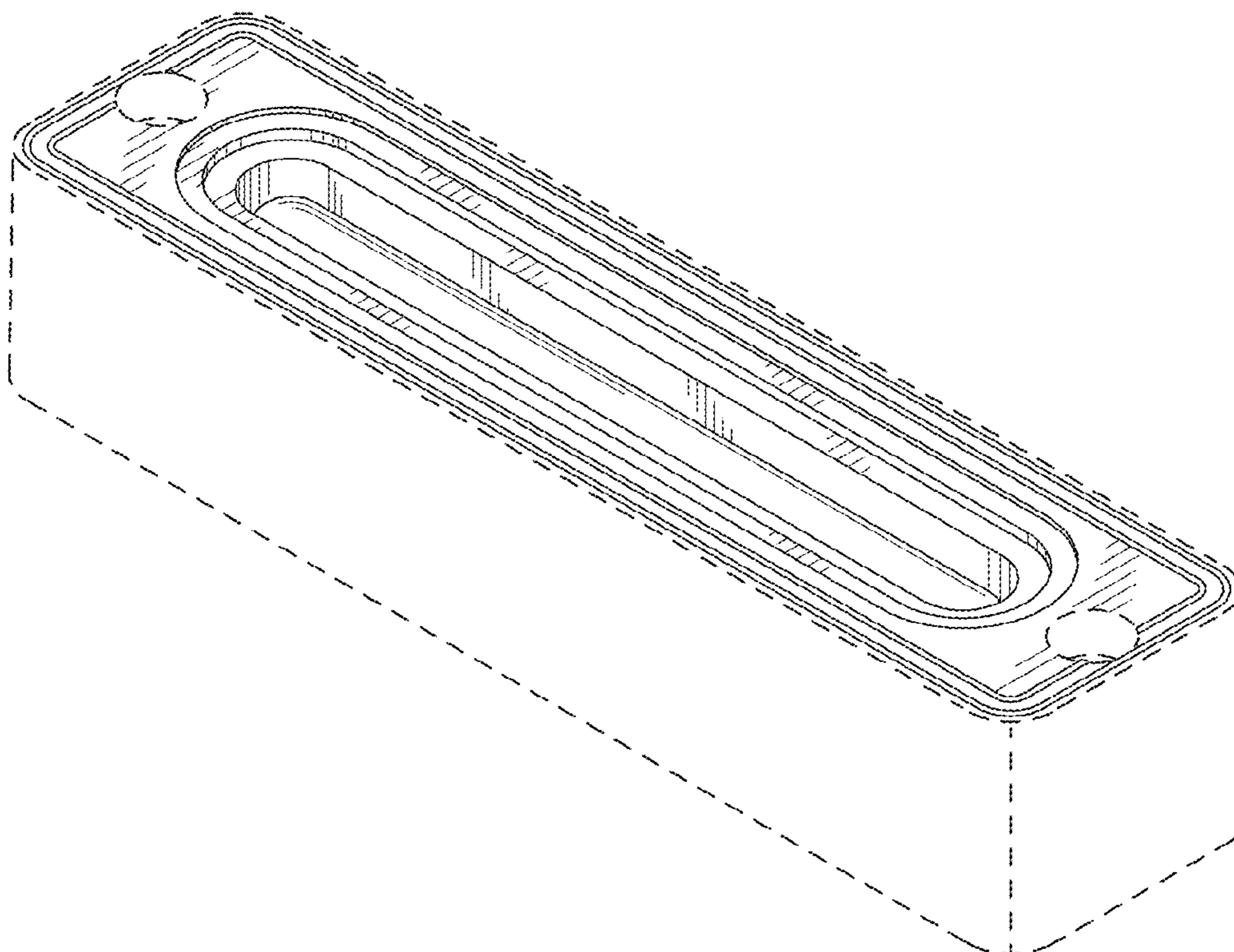
(56) **References Cited**

U.S. PATENT DOCUMENTS

D565,750 S * 4/2008 Egawa D26/1
D594,576 S * 6/2009 Chan D26/1
D621,968 S * 8/2010 Schultz D26/1

The broken lines shown in the drawings depict portions of the LED light lens that form no part of the claimed design.

1 Claim, 3 Drawing Sheets



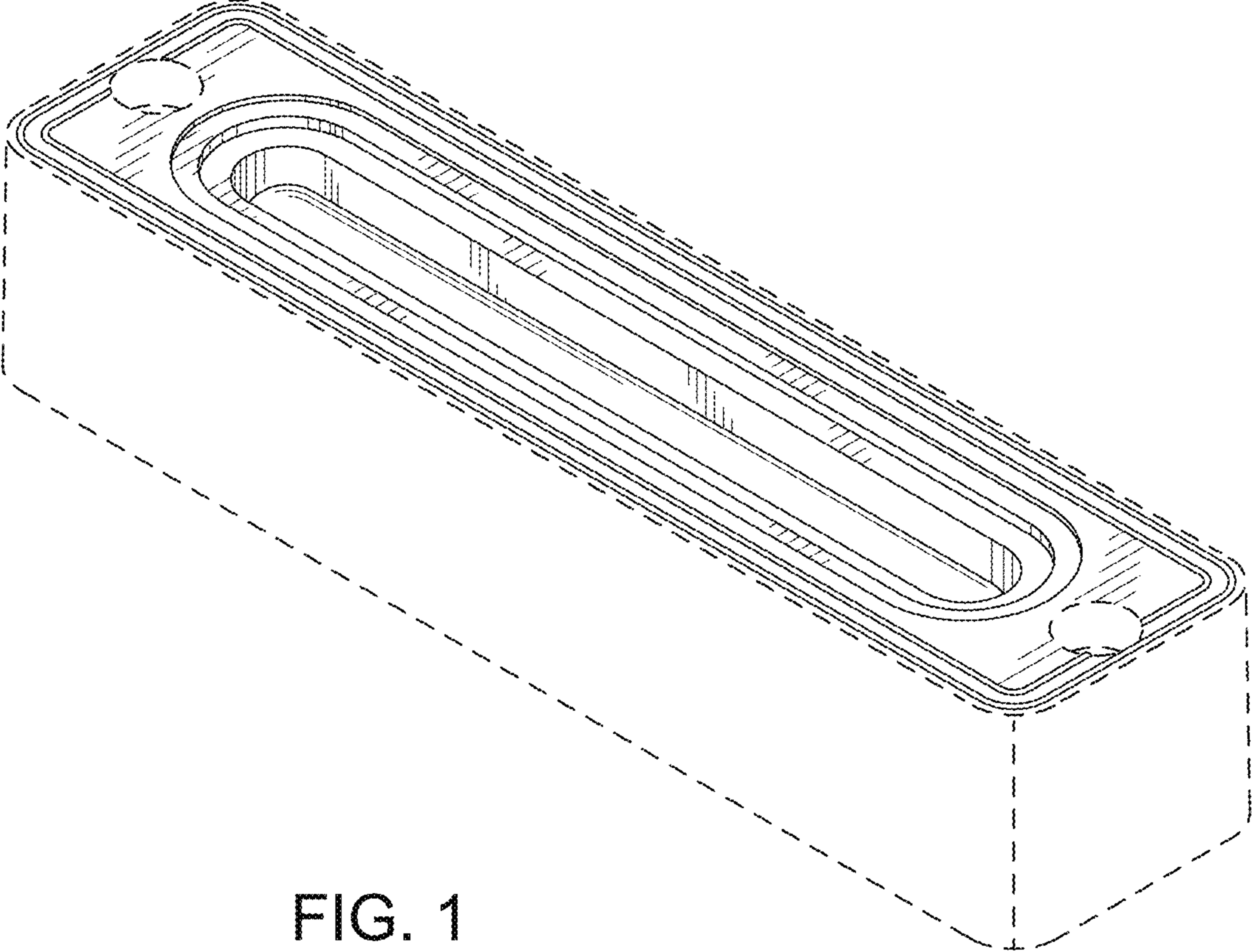


FIG. 1

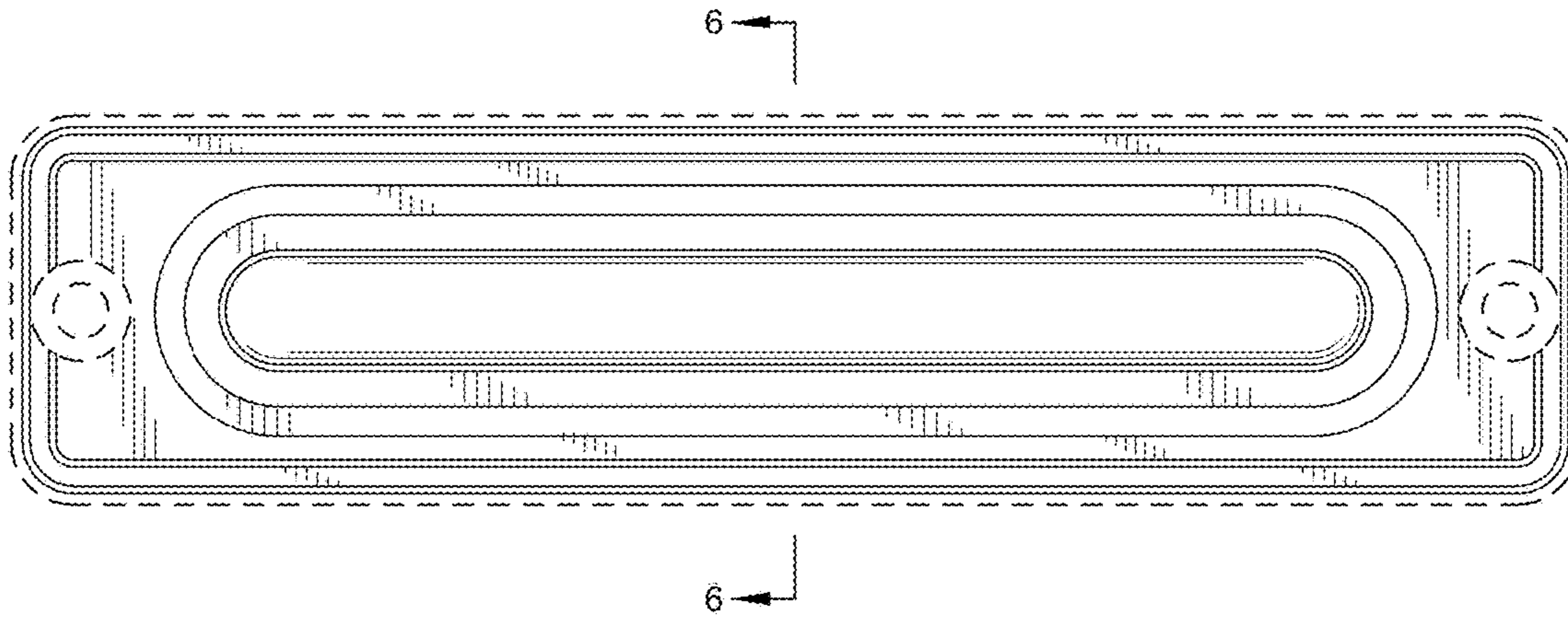


FIG. 2

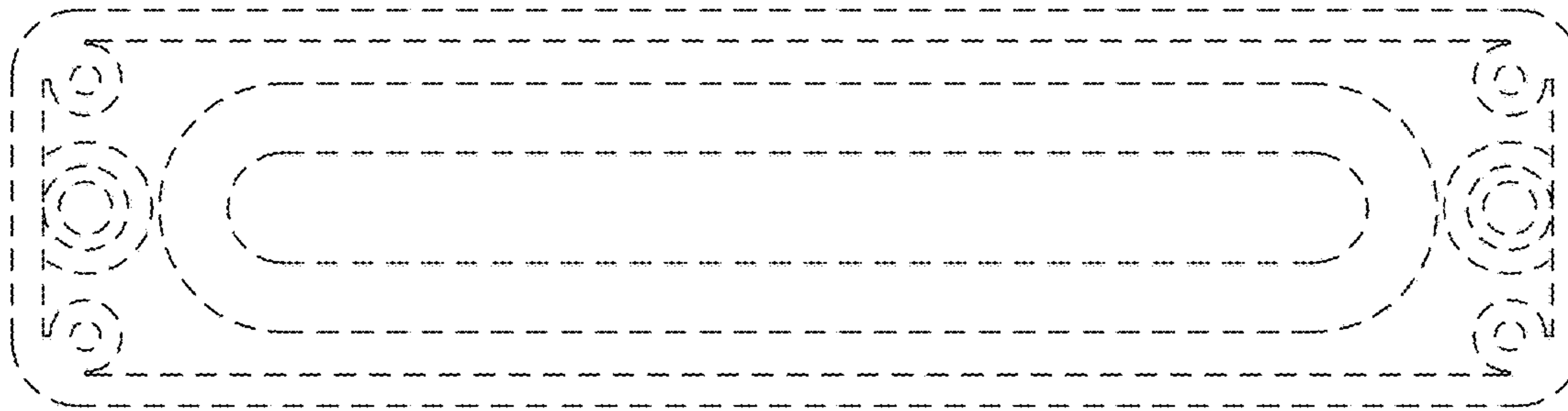


FIG. 3



FIG. 4

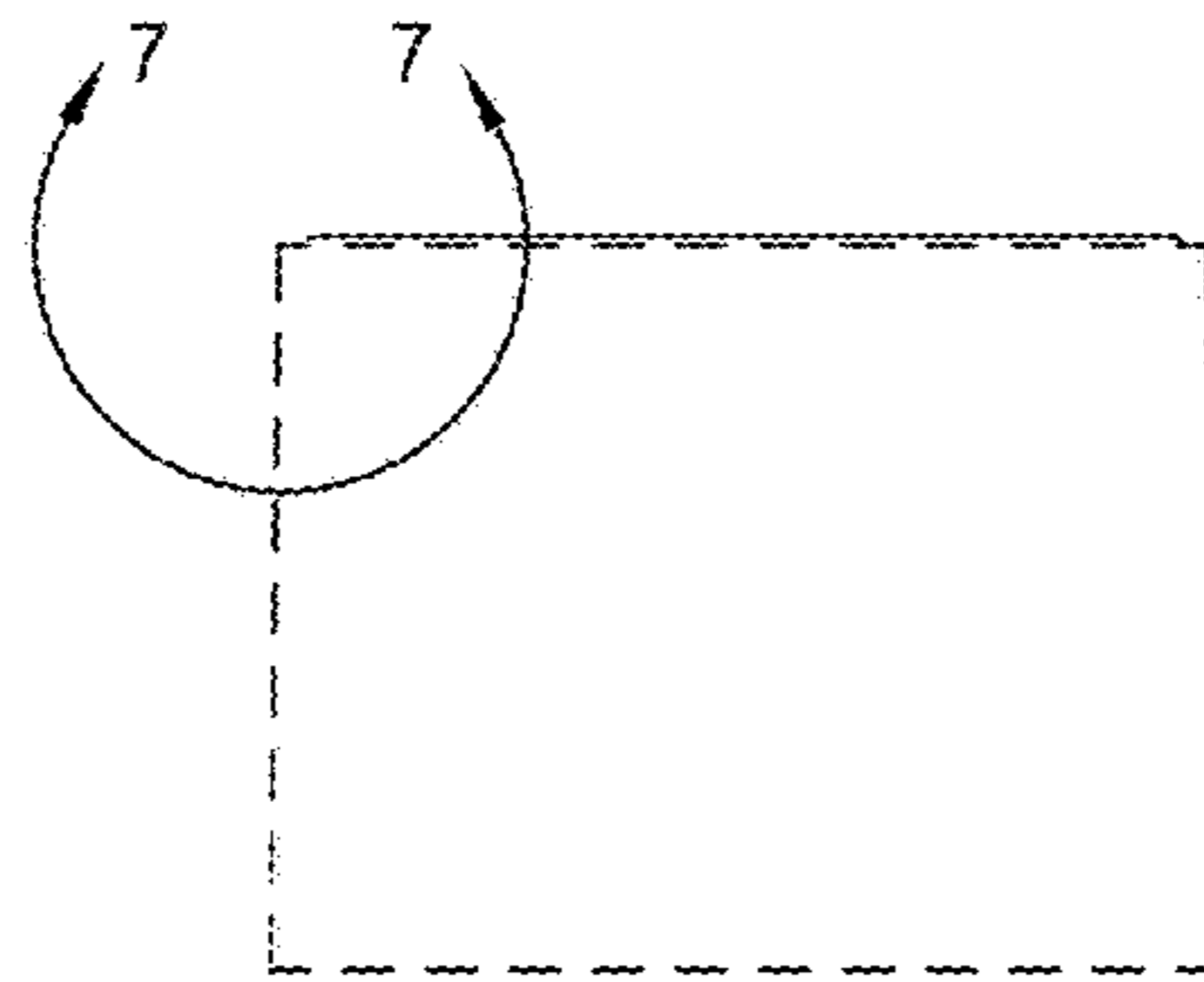


FIG. 5

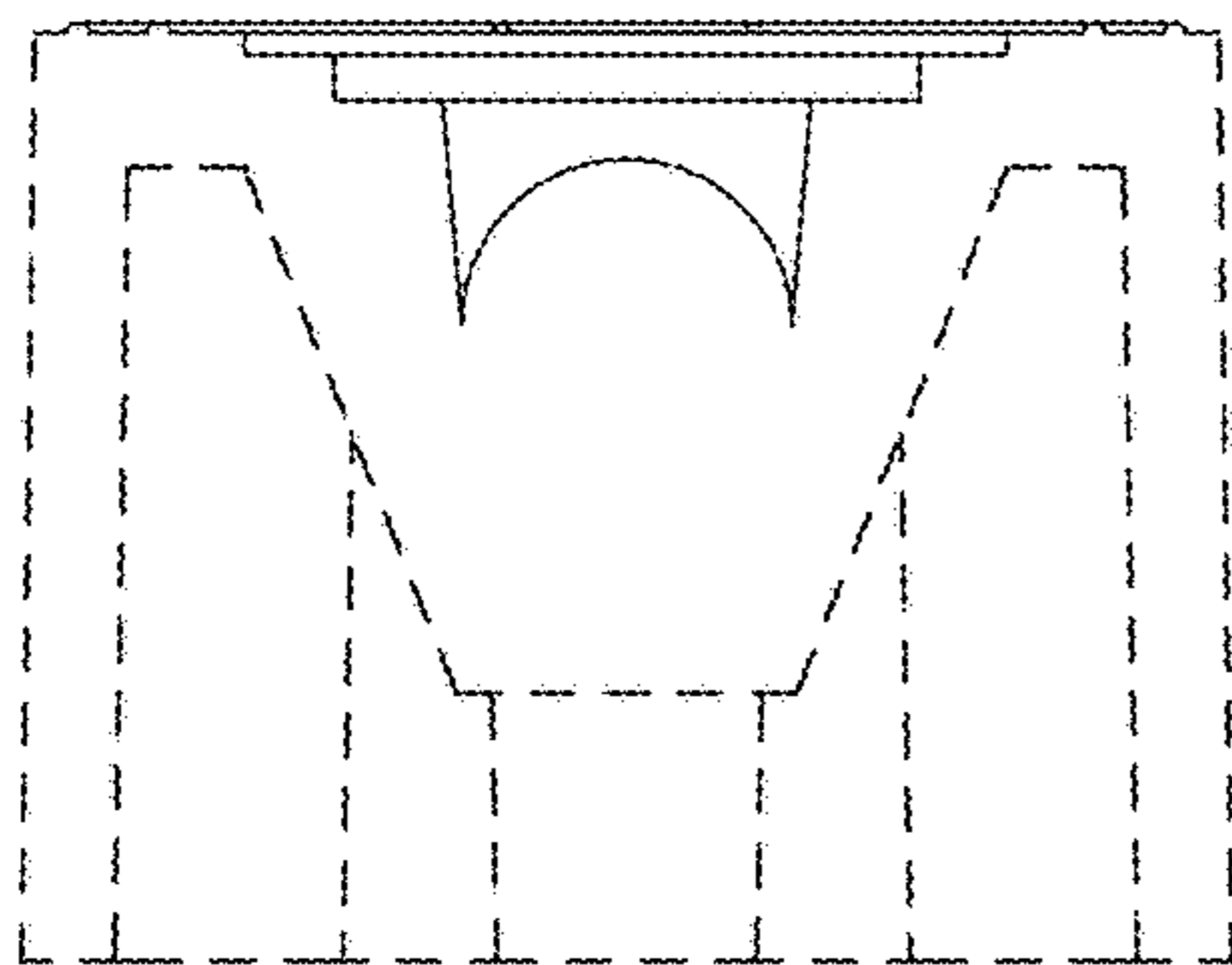


FIG. 6

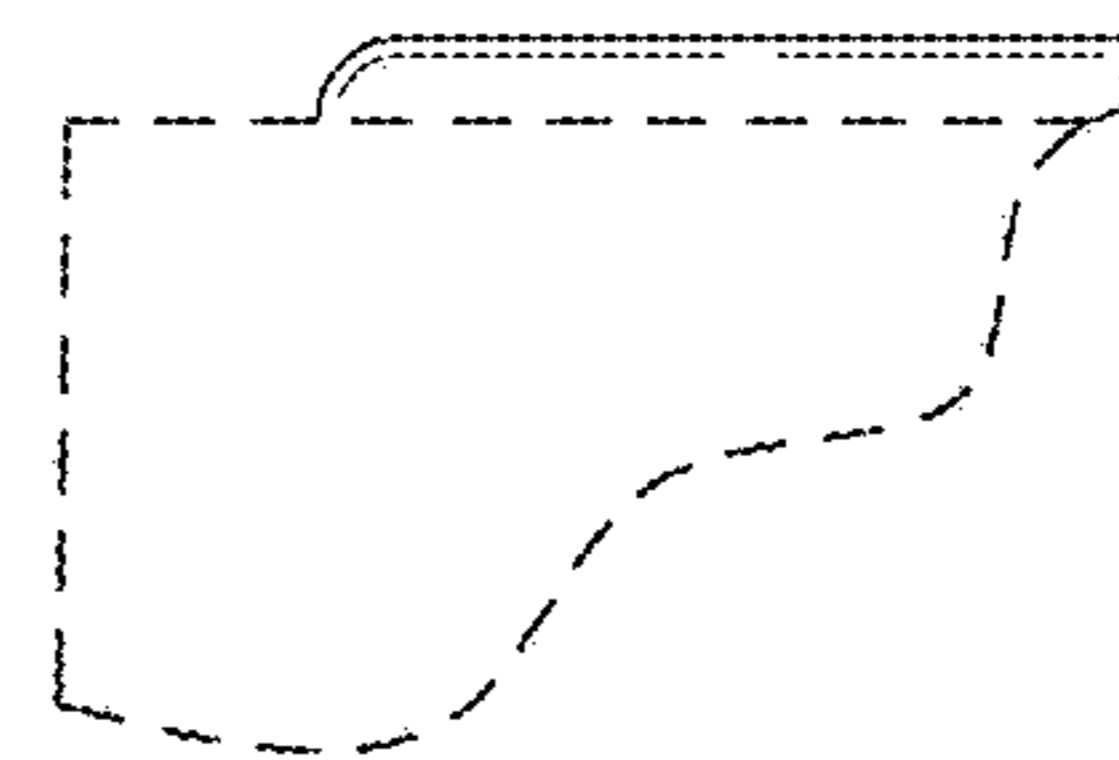


FIG. 7