



US00D788950S

(12) **United States Design Patent** (10) **Patent No.:** **US D788,950 S**
Lopez (45) **Date of Patent:** **** Jun. 6, 2017**

(54) **ROOF ANCHOR**
(71) Applicant: **WERNER CO.**, Greenville, PA (US)
(72) Inventor: **Ivan D. Lopez**, Hermitage, PA (US)
(73) Assignee: **WERNER CO.**, Greenville, PA (US)
(**) Term: **15 Years**
(21) Appl. No.: **29/558,248**
(22) Filed: **Mar. 16, 2016**
(51) **LOC (10) Cl.** **25-99**
(52) **U.S. Cl.**
USPC **D25/199**; D8/354
(58) **Field of Classification Search**
USPC D25/199; D8/325, 354, 371, 380, 381,
D8/349, 367
CPC A62B 35/0068; A62B 35/04; E04D 13/12;
E04D 15/00; E04G 21/3261; E04G
21/328; E04G 21/3214; E04G 21/3276;
E04G 5/041; E04G 5/043; E04G 3/26;
E04B 1/38; Y02E 10/47
See application file for complete search history.

(56) **References Cited**

U.S. PATENT DOCUMENTS

4,249,713 A 2/1981 Glynn et al.
4,460,147 A * 7/1984 Macbain F16B 12/22
248/222.41
4,665,672 A 5/1987 Commins et al.
4,685,265 A 8/1987 Cooper
4,696,611 A 9/1987 Guay
4,723,128 A 2/1988 Gasque, Jr.
4,942,943 A 7/1990 Flaherty
5,011,106 A 4/1991 Cody
5,036,949 A 8/1991 Crocker et al.
D321,124 S * 10/1991 Gary D8/373
5,054,576 A 10/1991 Glynn
5,074,350 A * 12/1991 Carter E06B 9/323
16/94 R

5,137,112 A 8/1992 Nichols
5,287,944 A 2/1994 Woodyard
5,361,558 A 11/1994 Thornton et al.
D360,571 S * 7/1995 Perry D8/354
5,553,685 A 9/1996 Cook
5,636,704 A 6/1997 Castaneda
5,687,535 A 11/1997 Rohlf
5,730,407 A 3/1998 Ostrobrod
5,829,203 A 11/1998 Ealer, Sr.
5,845,452 A 12/1998 Pantano
5,878,534 A 3/1999 Gleave
5,896,719 A 4/1999 Thornton
5,897,086 A * 4/1999 Condon F24H 9/06
248/154
6,098,746 A 8/2000 Castaneda
6,131,361 A * 10/2000 Murphy E04F 21/185
248/221.12
6,668,509 B1 12/2003 Krebs
(Continued)

Primary Examiner — Vy Koenig
Assistant Examiner — Kimberly Barnes
(74) *Attorney, Agent, or Firm* — Eckert Seamans Cherin
& Mellott, LLC; Nathaniel C. Wilks

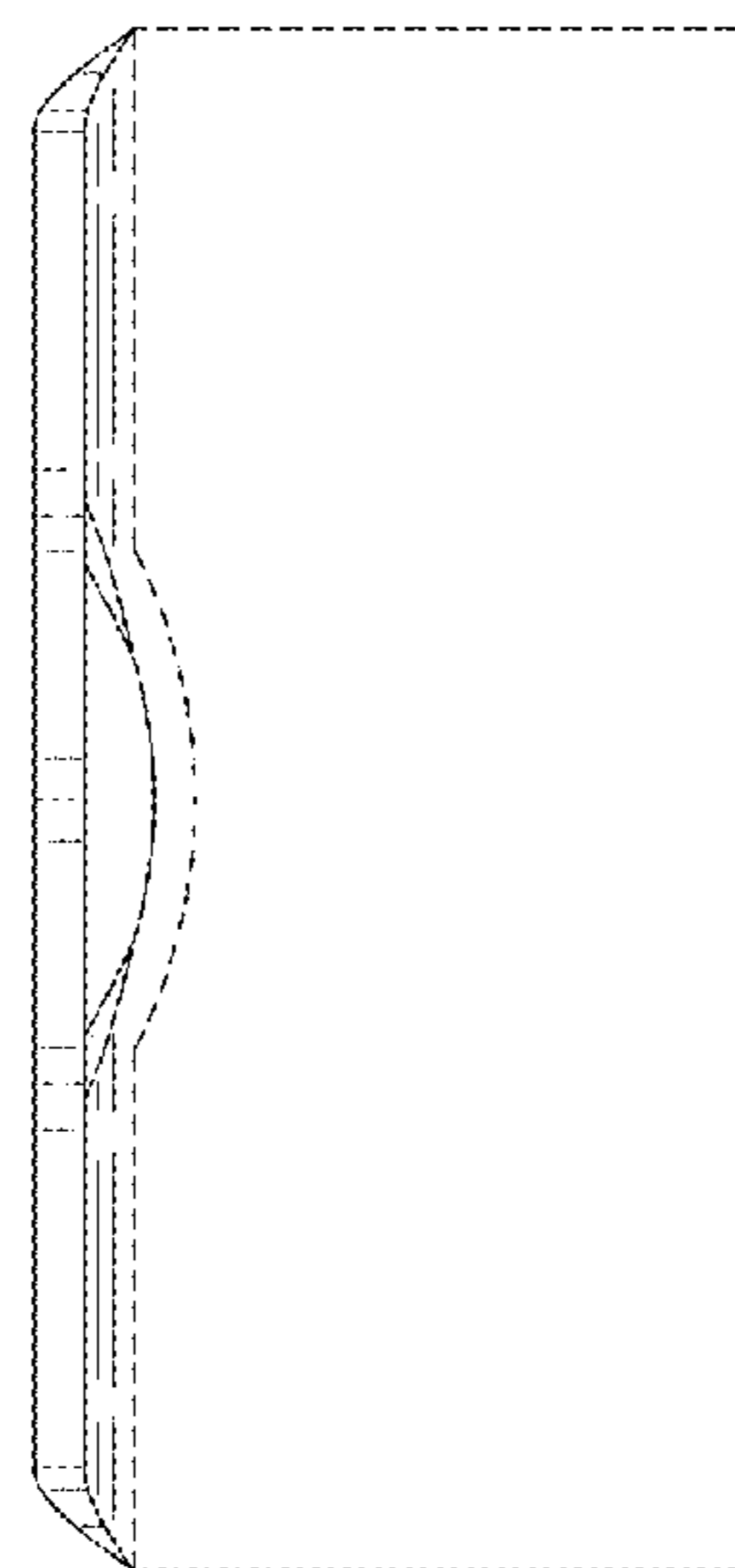
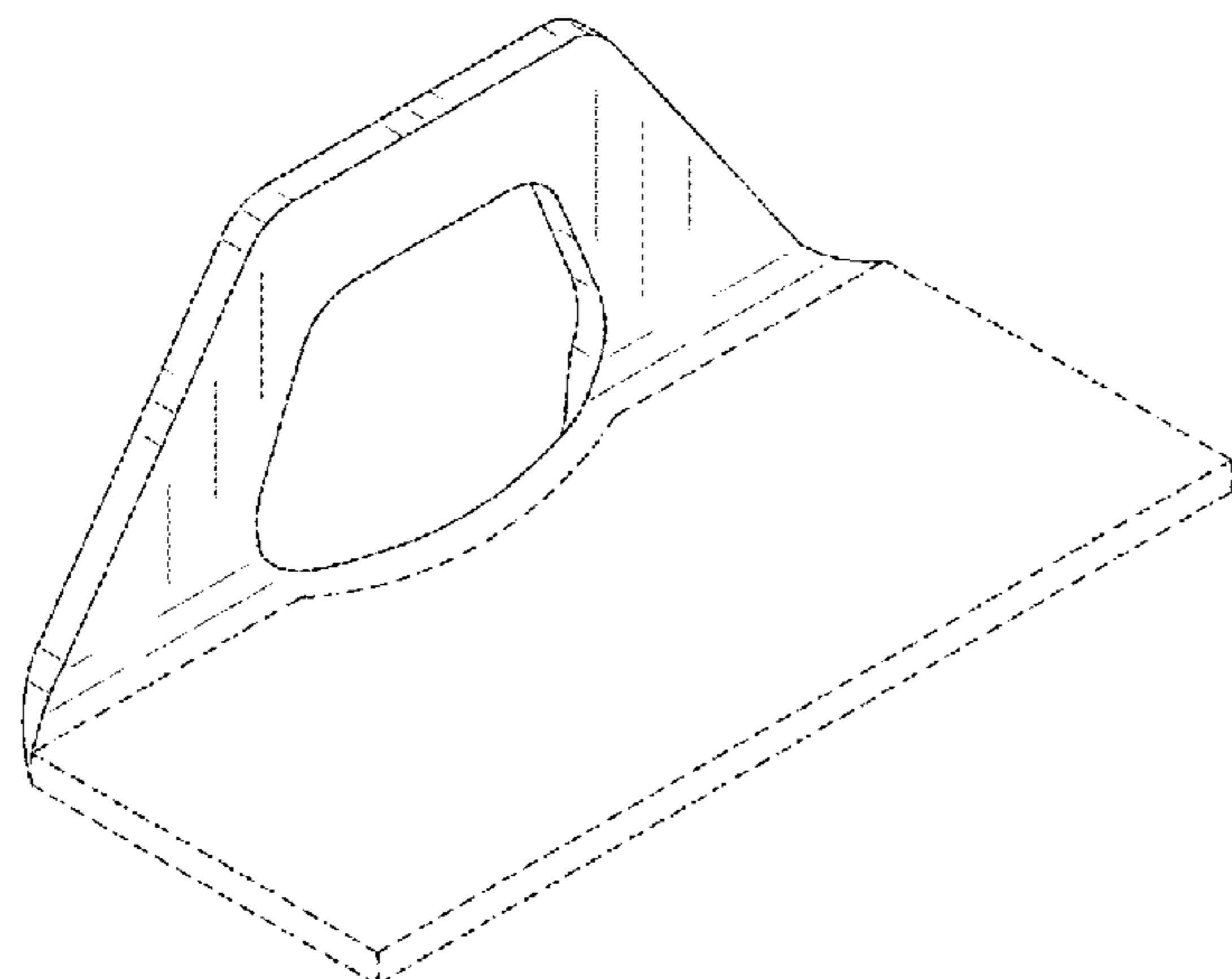
(57) **CLAIM**

The ornamental design for a roof anchor, as shown and described.

DESCRIPTION

FIG. 1 is an upper front right perspective view of the roof anchor;
FIG. 2 is a front elevational view thereof;
FIG. 3 is a top plan view thereof;
FIG. 4 is a left side elevational view thereof;
FIG. 5 is a rear elevational view thereof;
FIG. 6 is a right side elevational view thereof; and,
FIG. 7 is a bottom plan view thereof.
The broken lines illustrate portions of the roof anchor that form no part of the claimed design.

1 Claim, 7 Drawing Sheets



(56)

References Cited

U.S. PATENT DOCUMENTS

6,851,702 B2 *	2/2005	Henderson	B60R 21/213	280/728.2
D520,322 S *	5/2006	Orlando	D8/354	
D531,378 S *	10/2006	Angel	D34/31	
7,380,373 B2	6/2008	Crookston			
D584,597 S *	1/2009	Menard	D8/354	
7,665,248 B2	2/2010	Blackford			
7,708,489 B2 *	5/2010	Trotter	A47C 3/18	403/194
7,854,421 B2	12/2010	Florent			
D632,158 S *	2/2011	Yang	D13/118	
7,963,083 B1 *	6/2011	Briggs	E04D 3/364	52/489.1
8,011,160 B2 *	9/2011	Rice	E04B 2/7457	248/247
D668,379 S *	10/2012	Storey	D26/138	
D668,423 S *	10/2012	Brockington	D12/203	
8,292,245 B2	10/2012	Schindler et al.			
8,480,118 B2 *	7/2013	Kjell	B60R 21/201	280/728.2
D697,386 S *	1/2014	Dooley	D8/343	
8,636,300 B2 *	1/2014	Jaconelli	B60R 21/213	280/728.1
8,739,485 B2 *	6/2014	Hohmann, Jr.	E04B 1/4178	52/379
9,003,715 B2	4/2015	Nurdogan			
D736,066 S *	8/2015	Hull	D8/354	
D756,764 S *	5/2016	Limber	D8/395	
9,523,196 B2 *	12/2016	Rice	E04B 2/62	
2004/0007150 A1	1/2004	Gleave			
2004/0035993 A1	2/2004	Curtin			
2006/0059844 A1	3/2006	Ely			
2007/0272811 A1	11/2007	Baake			
2008/0271407 A1	11/2008	Snider et al.			
2012/0272609 A1 *	11/2012	Kim	E04F 13/14	52/702
2012/0317892 A1	12/2012	Crookston			
2013/0067848 A1	3/2013	Ferris			
2013/0247498 A1 *	9/2013	Hohmann, Jr.	E04B 1/4178	52/582.1
2014/0182218 A1	7/2014	O'Donnell			
2015/0107184 A1	4/2015	Nichols, Jr.			
2015/0270802 A1 *	9/2015	Schaefer	H02S 20/23	248/237

* cited by examiner

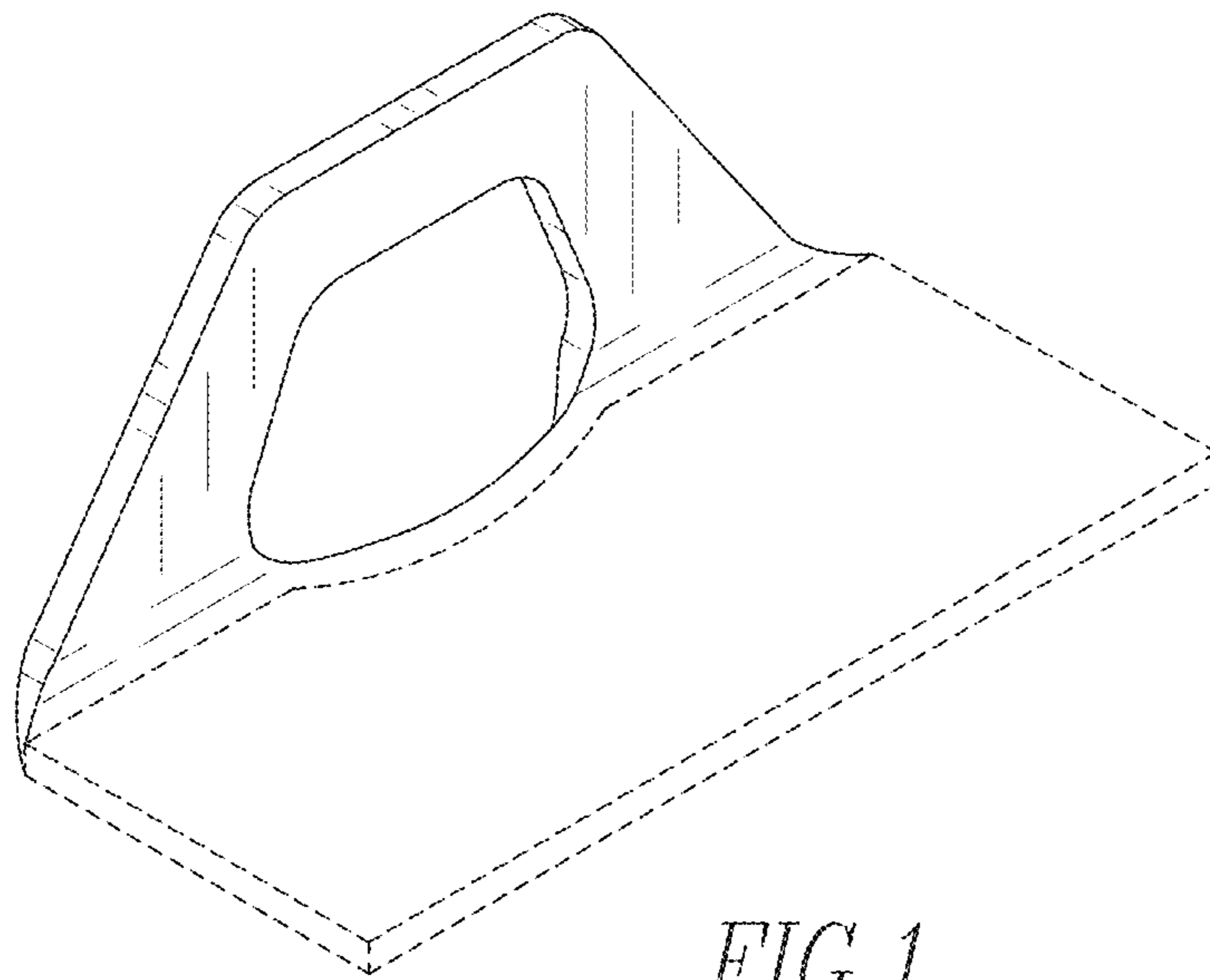


FIG. 1

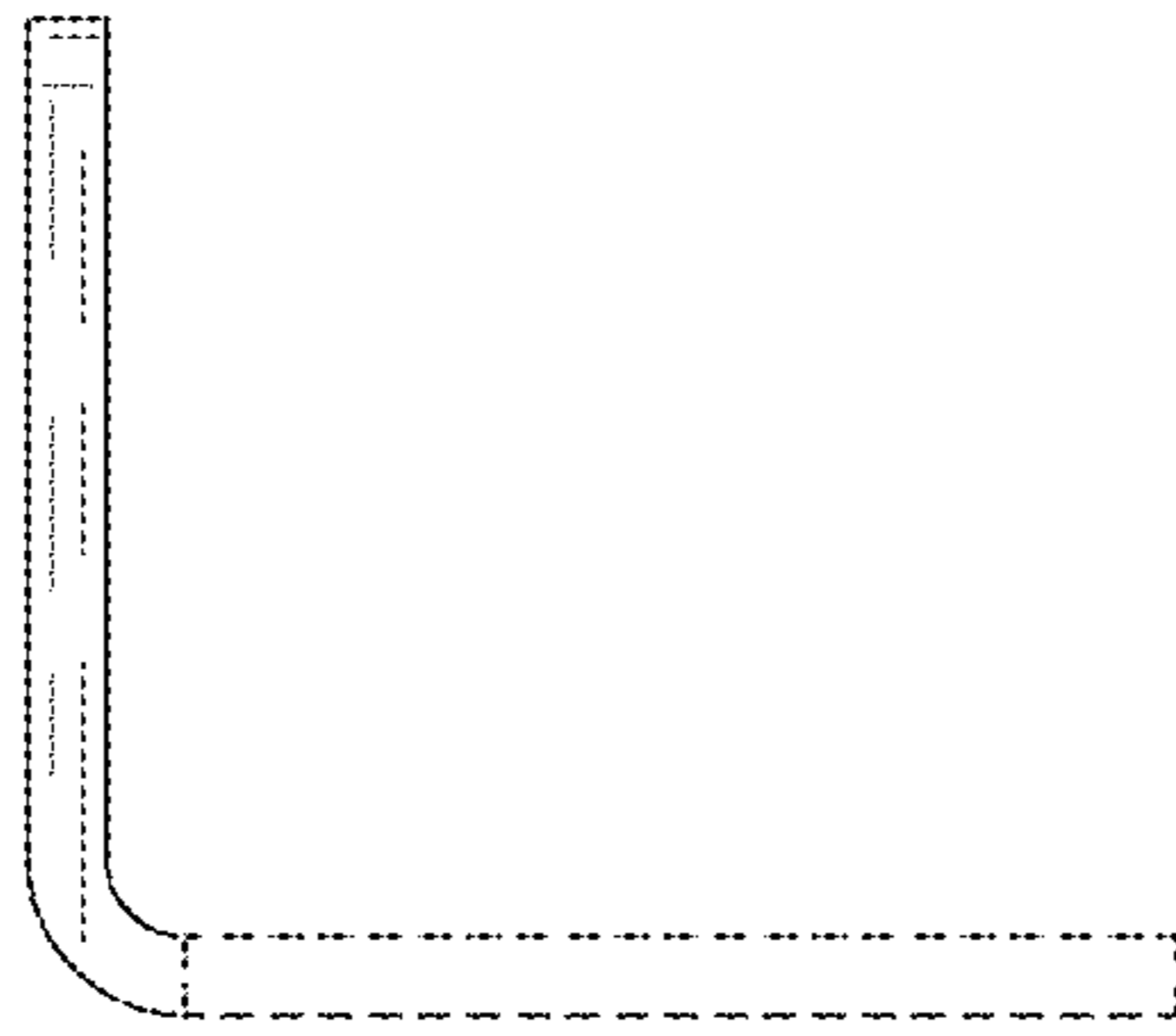


FIG. 2

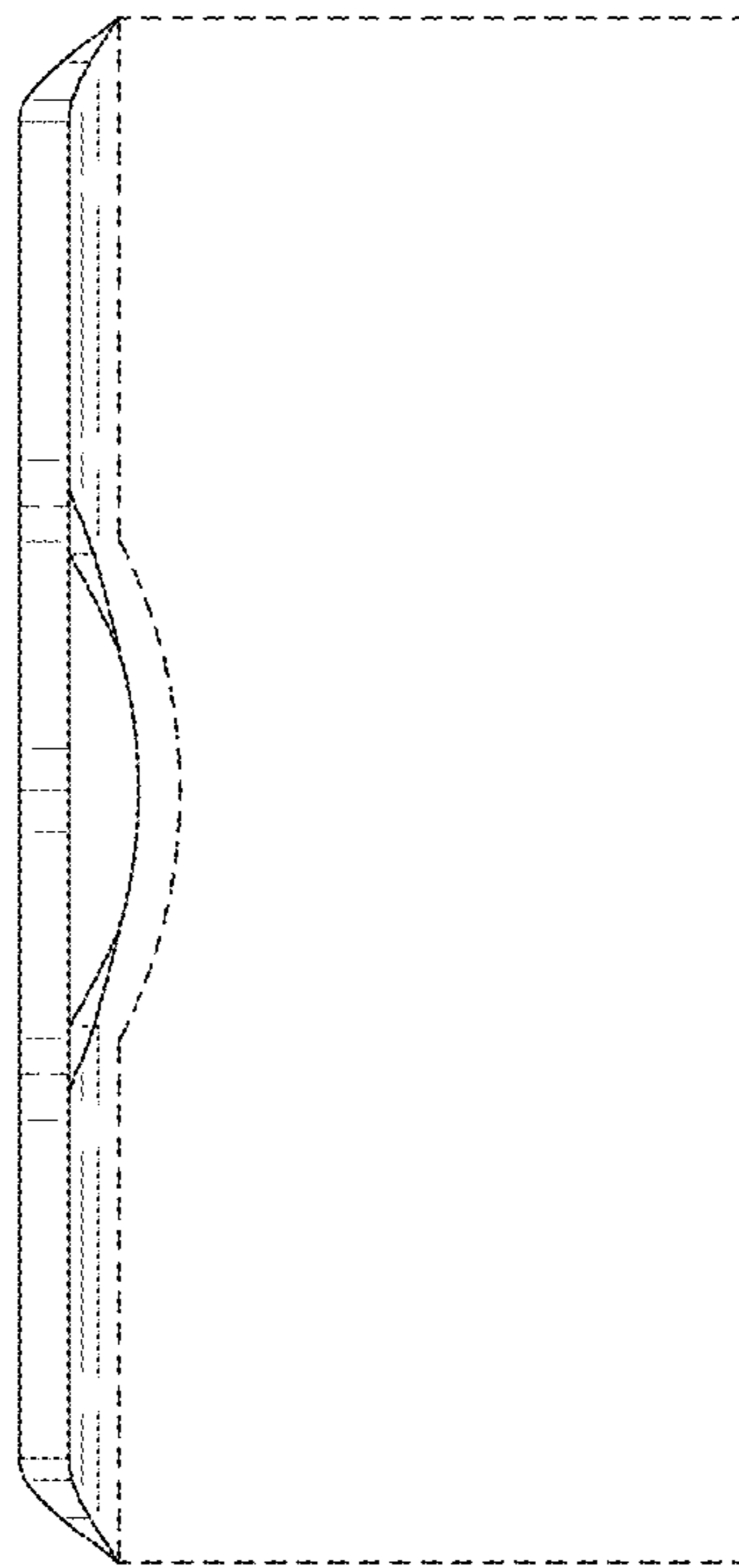


FIG. 3

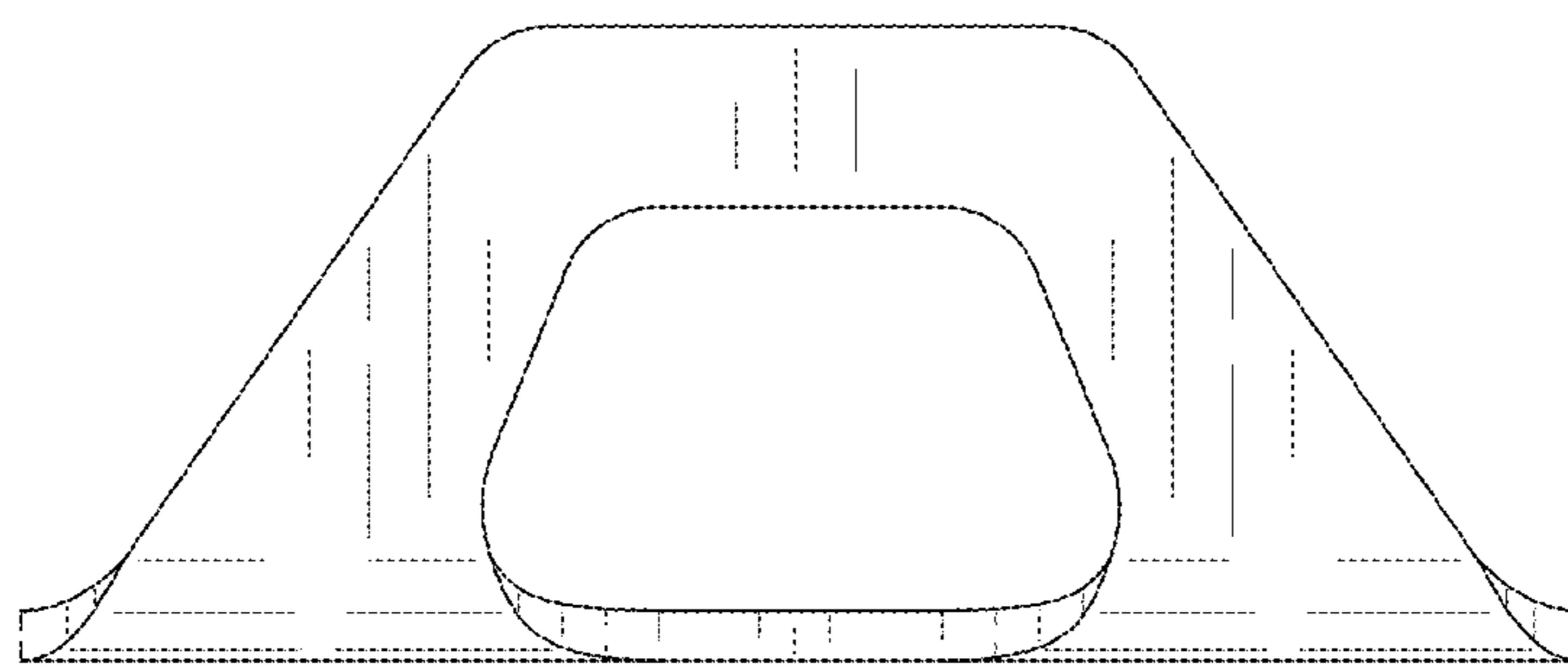


FIG. 4

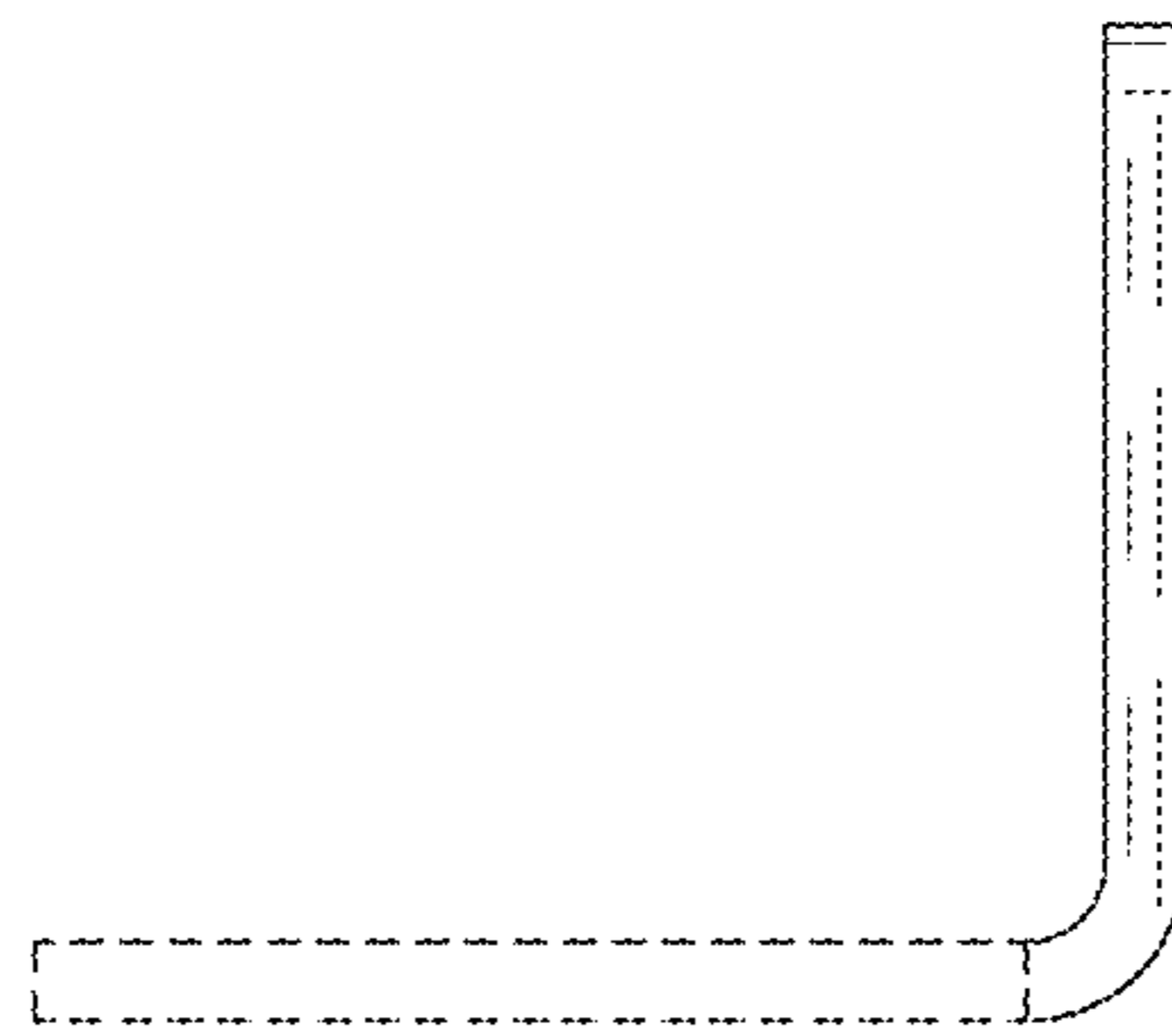


FIG. 5

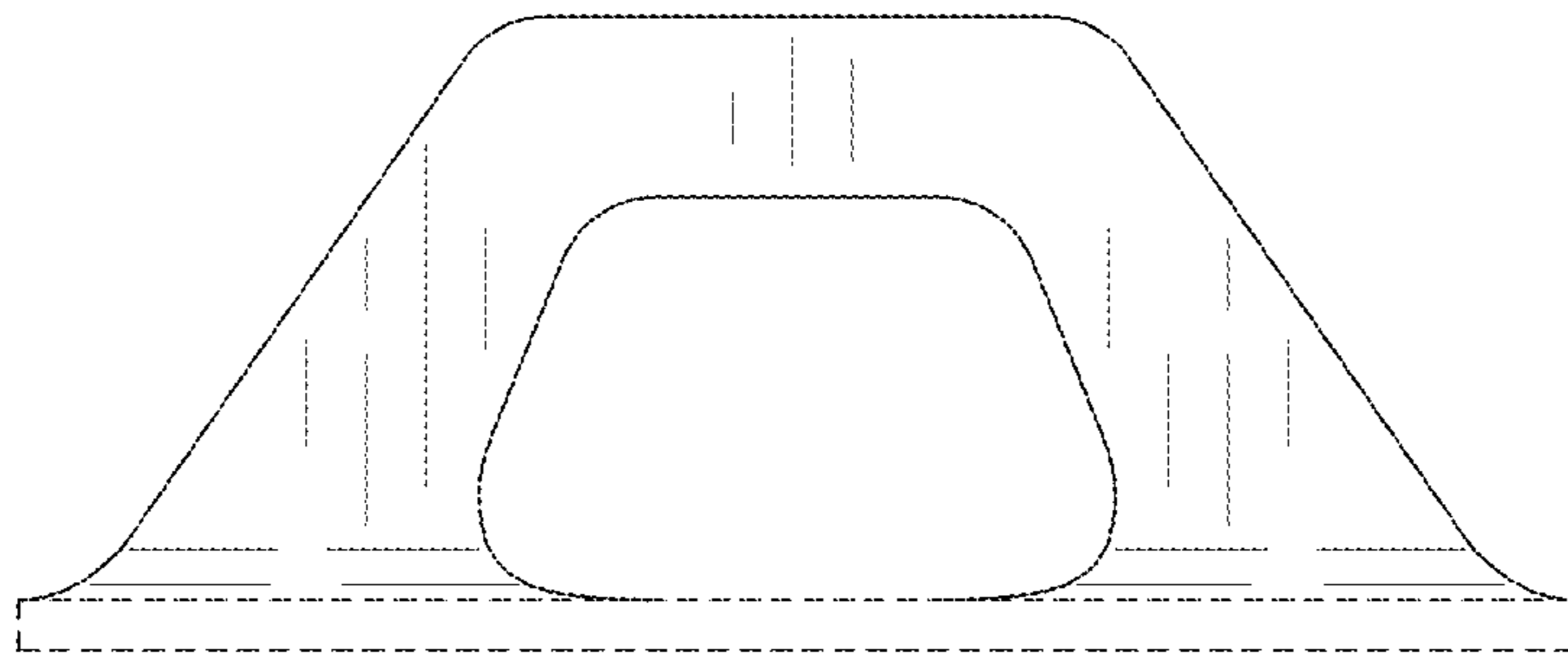


FIG. 6

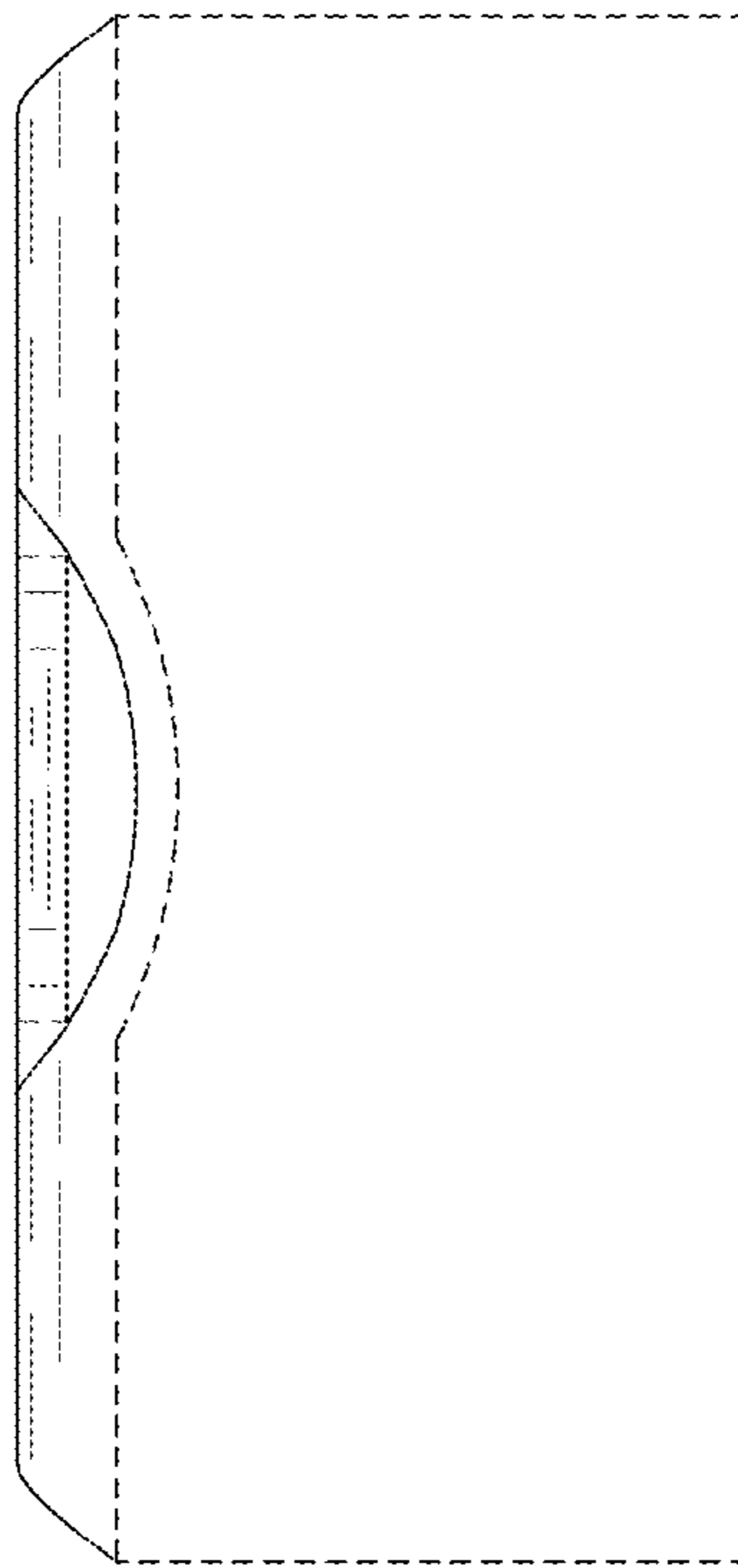


FIG. 7