



US00D788947S

(12) **United States Design Patent**  
**Gilkey et al.**

(10) **Patent No.:** **US D788,947 S**  
(45) **Date of Patent:** **\*\* Jun. 6, 2017**

(54) **WINDOW MAINFRAME COMPONENT**

(71) Applicant: **Gilkey Window Company**, Cincinnati, OH (US)

(72) Inventors: **Michael Gilkey**, Loveland, OH (US);  
**Mark Back**, Union, KY (US)

(73) Assignee: **Gilkey Window Company**, Cincinnati, OH (US)

(\*\*) Term: **15 Years**

(21) Appl. No.: **29/552,662**

(22) Filed: **Jan. 25, 2016**

(51) **LOC (10) Cl.** ..... **25-01**

(52) **U.S. Cl.**  
USPC ..... **D25/125**

(58) **Field of Classification Search**  
USPC ..... D25/35, 47.1, 48.1, 48.2, 48.3, 48.4,  
D25/48.7, 55, 56, 58-61, 119-132, 138,  
D25/139, 164; 52/58, 68, 96, 97, 204.5,  
52/204.53, 208, 209, 255, 254, 287.1,  
52/293.3, 302.6, 443, 444, 716.1, 716.2,  
52/716.6-716.8, 717.01, 717.03  
CPC ..... E04F 19/00; E04F 19/02; E04F 19/022;  
E04F 19/026; E04F 19/04; E04F 19/06;  
E04F 19/061; E04F 13/00; E04B 2/00;  
E04B 7/00; E04B 5/12; E04C 3/02; E04C  
3/04; E04C 3/12; E04C 3/292; E04C  
2003/0404; E04C 2003/0452; E04C  
2003/046; E04C 2003/0482; E04D 13/15;  
E04D 13/0459; E04D 1/36

See application file for complete search history.

(56) **References Cited**

**U.S. PATENT DOCUMENTS**

5,553,903 A 9/1996 Prete et al.  
D378,430 S 3/1997 Dallaire et al.  
D378,546 S 3/1997 Dallaire et al.  
D382,072 S 8/1997 Dallaire et al.

D414,278 S 9/1999 Dallaire et al.  
D417,737 S \* 12/1999 Stansfield ..... D25/121  
D427,325 S \* 6/2000 Ginzel ..... D25/119  
6,178,695 B1 1/2001 Kornegay et al.

(Continued)

*Primary Examiner* — Cynthia Ramirez

*Assistant Examiner* — Llorellys Martinez-Rivera

(74) *Attorney, Agent, or Firm* — Dinsmore & Shohl LLP

(57) **CLAIM**

The ornamental design for a window mainframe component, as shown and described.

**DESCRIPTION**

FIG. 1 is a top, right, back isometric view of a window mainframe component illustrating a first embodiment of our new design;

FIG. 2 is a top view thereof;

FIG. 3 is a back elevational view thereof, with the front elevational view being a mirror image of FIG. 3;

FIG. 4 is a bottom view thereof;

FIG. 5 is a left side elevational view thereof; and

FIG. 6 is a right side elevational view thereof.

FIG. 7 is a top, right, back isometric view of a window mainframe component illustrating a second embodiment of our new design;

FIG. 8 is a top view thereof;

FIG. 9 is a back elevational view thereof, with the front elevational view being a mirror image of FIG. 9;

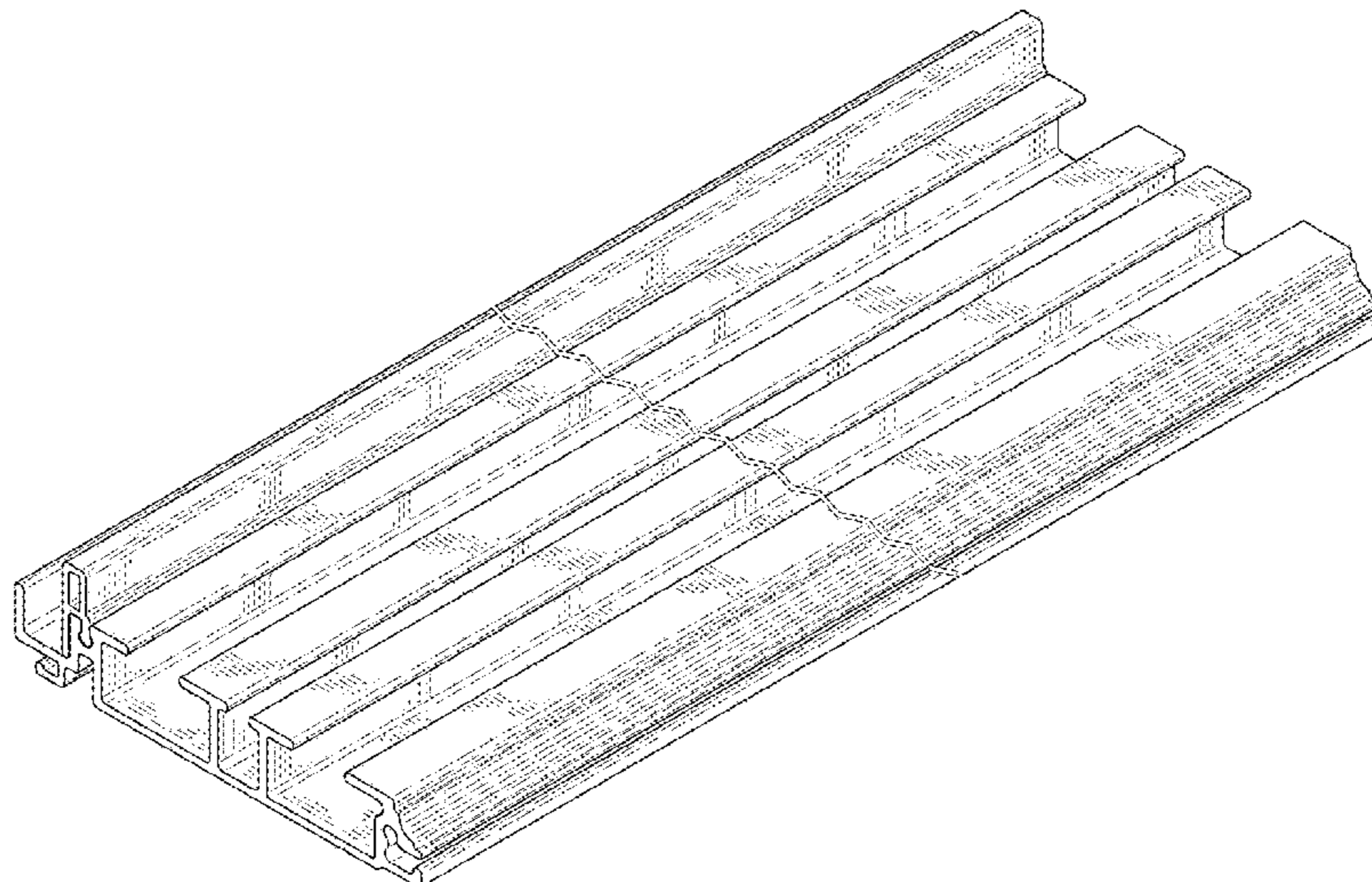
FIG. 10 is a bottom view thereof;

FIG. 11 is a left side elevational view thereof; and,

FIG. 12 is a right side elevational view thereof.

The window mainframe component is shown with a symbolic break in its length. The appearance of any portion of the window mainframe component between the jagged break lines forms no part of the claimed design. The other broken lines in FIGS. 7-9 and 11-12 represent portions of the window mainframe component that form no part of the claimed design.

**1 Claim, 8 Drawing Sheets**



(56)

**References Cited**

U.S. PATENT DOCUMENTS

D482,803	S	*	11/2003	Yates, Jr.	.....	D25/121
D485,621	S	*	1/2004	Deel	.....	D25/119
D489,465	S	*	5/2004	Allsopp	.....	D25/119
6,854,214	B2		2/2005	Polowinczak		
D504,526	S	*	4/2005	Perkins	.....	D25/138
D548,368	S	*	8/2007	Hale	.....	D25/121
D568,060	S	*	5/2008	Munson	.....	A47F 5/0846 D25/138
D640,801	S	*	6/2011	Wickland	.....	D25/119
D732,702	S	*	6/2015	Gallien	.....	D25/119
2005/0146143	A1		7/2005	Lutfallah		
2010/0313488	A1		12/2010	Liang et al.		
2016/0160497	A1	*	6/2016	Randlett	.....	E04B 2/42 52/61

\* cited by examiner

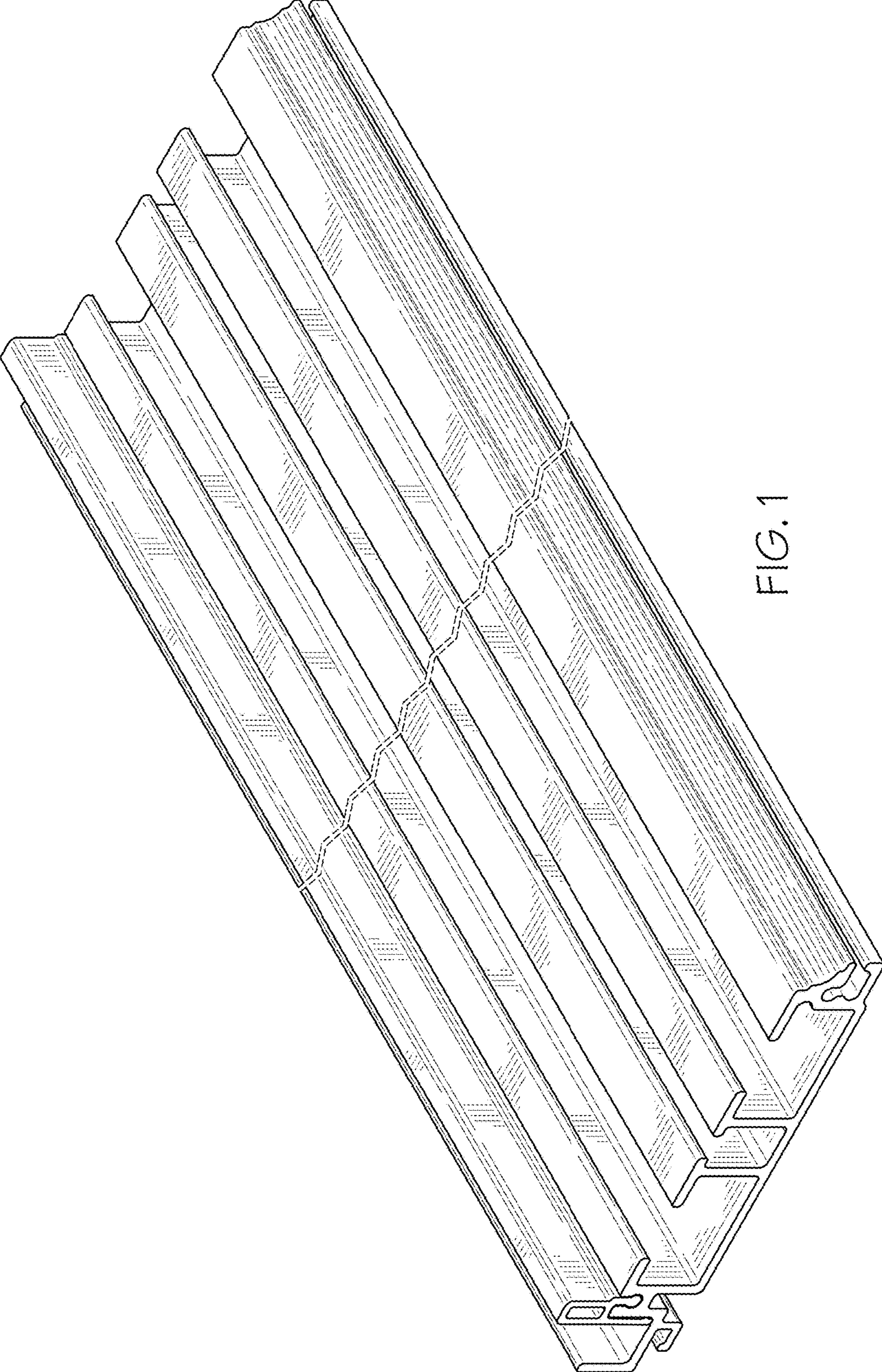


FIG. 1

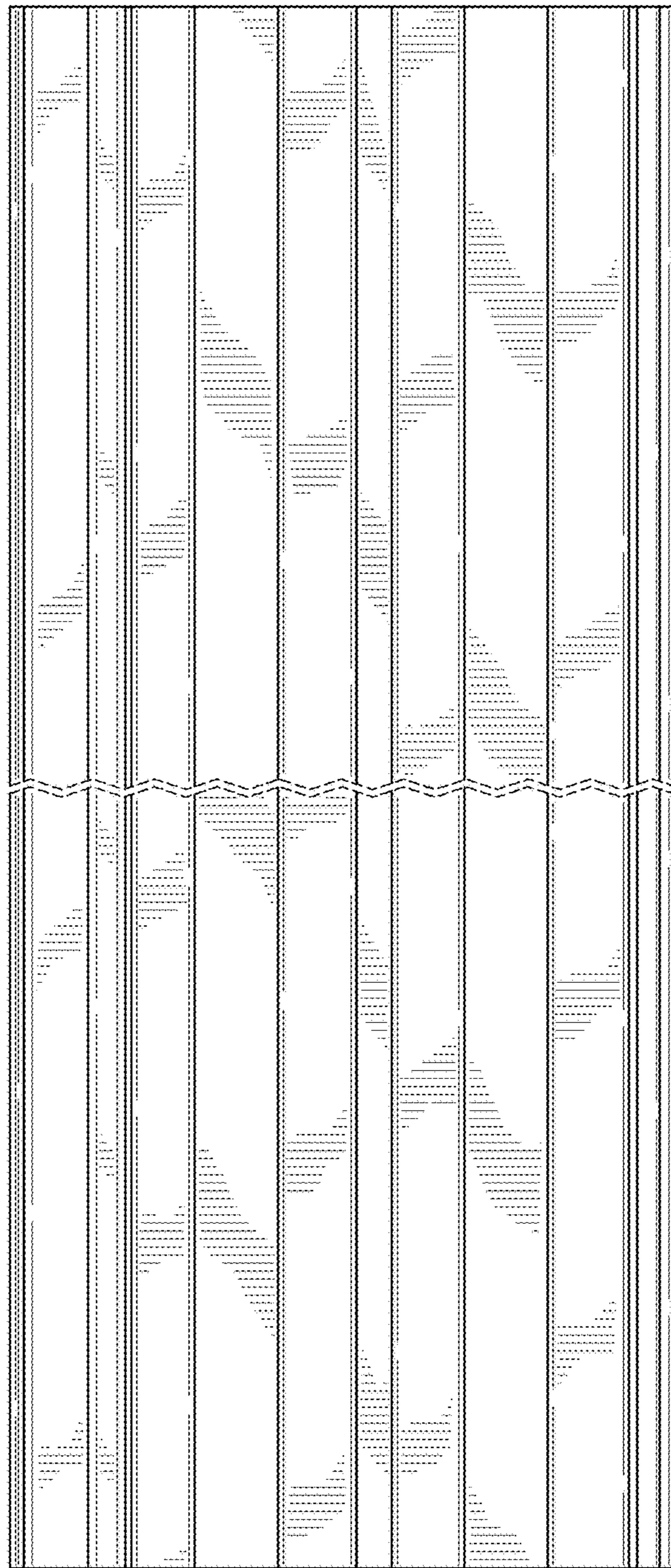


FIG. 2

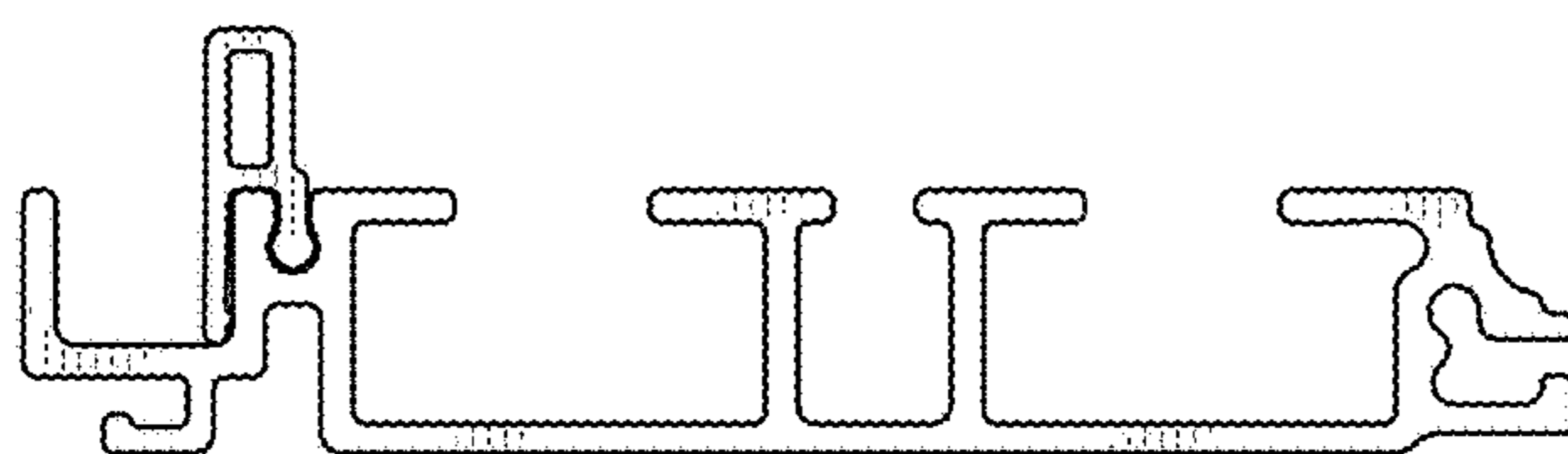


FIG. 3

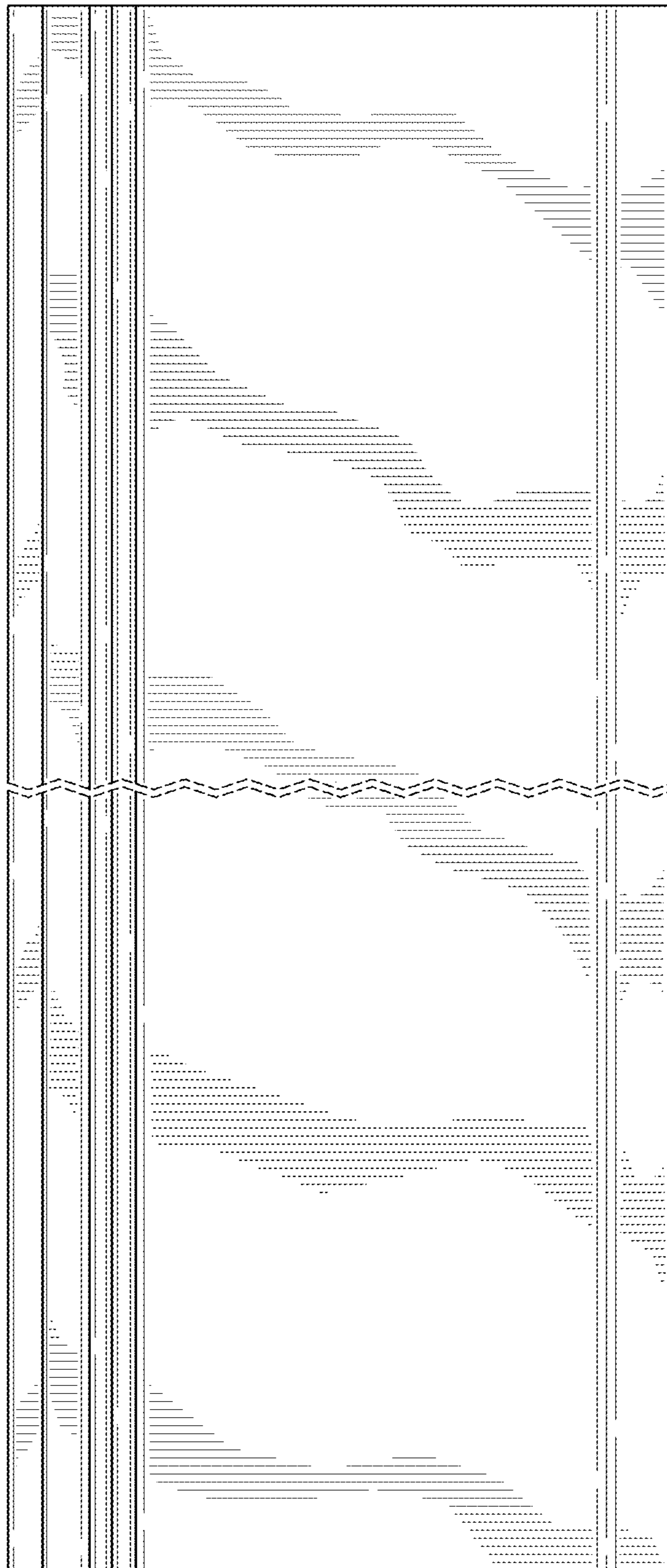


FIG. 4

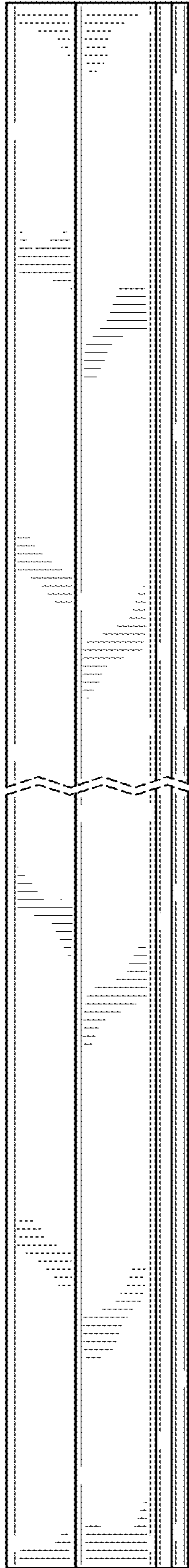


FIG. 5

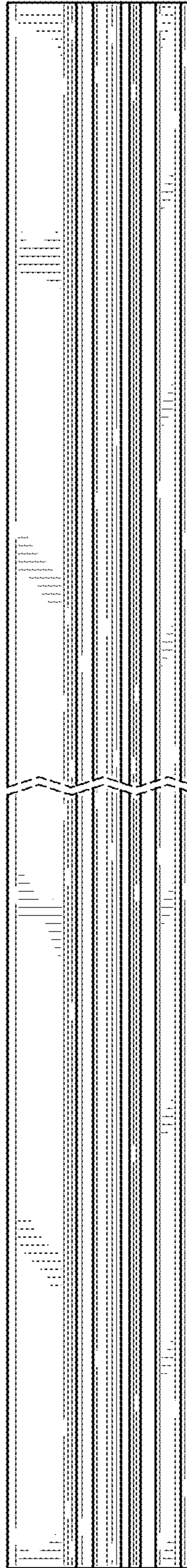


FIG. 6

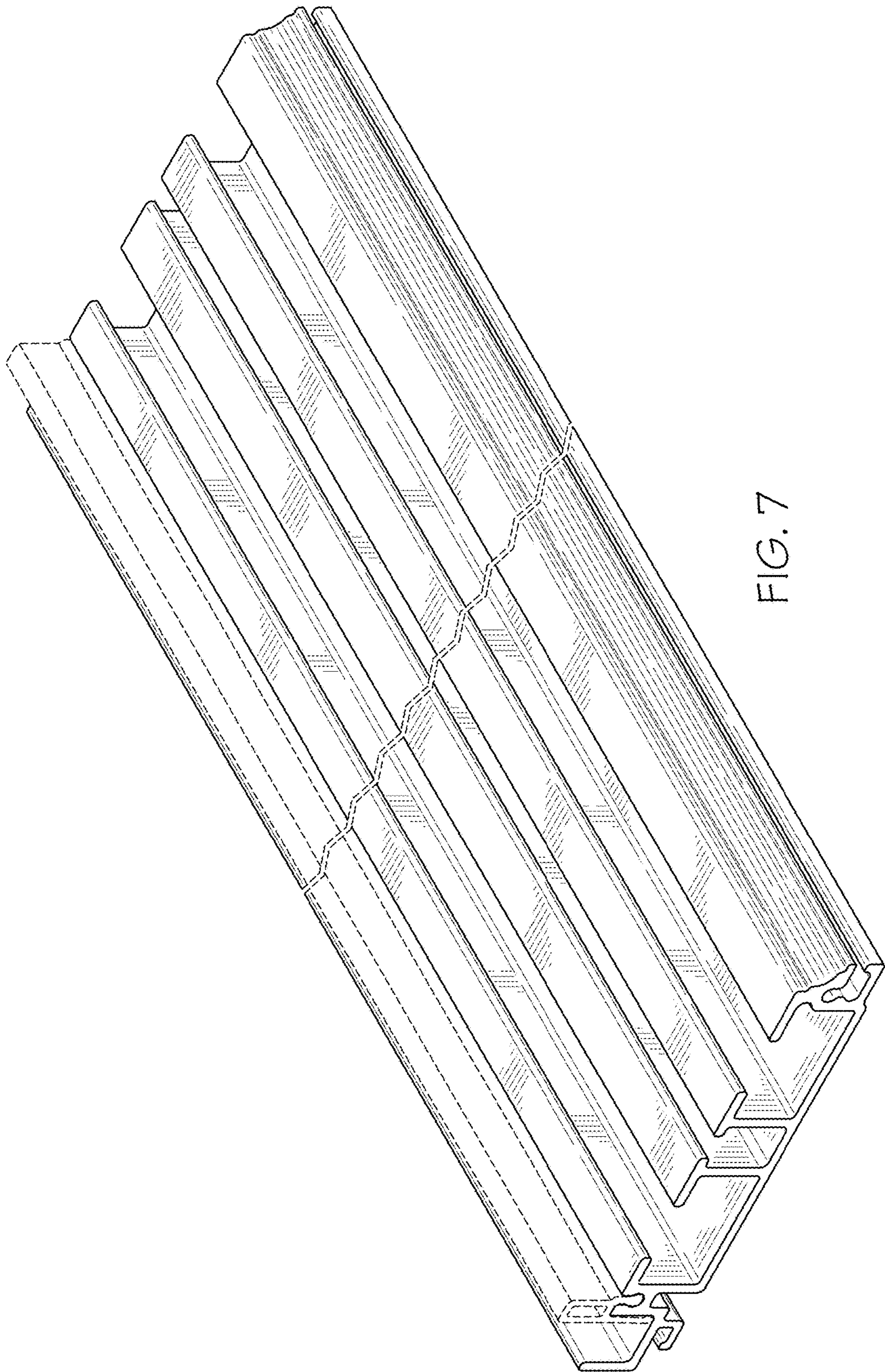


FIG. 7

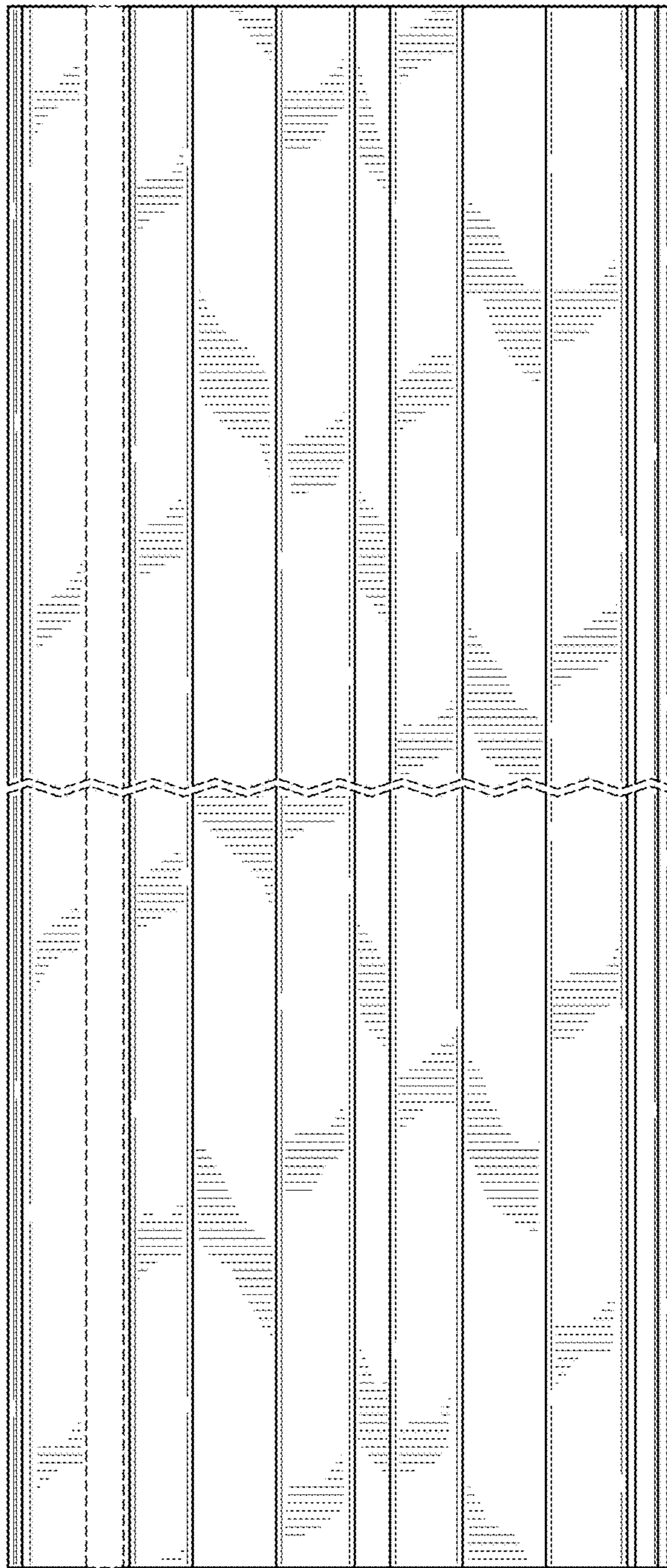


FIG. 8

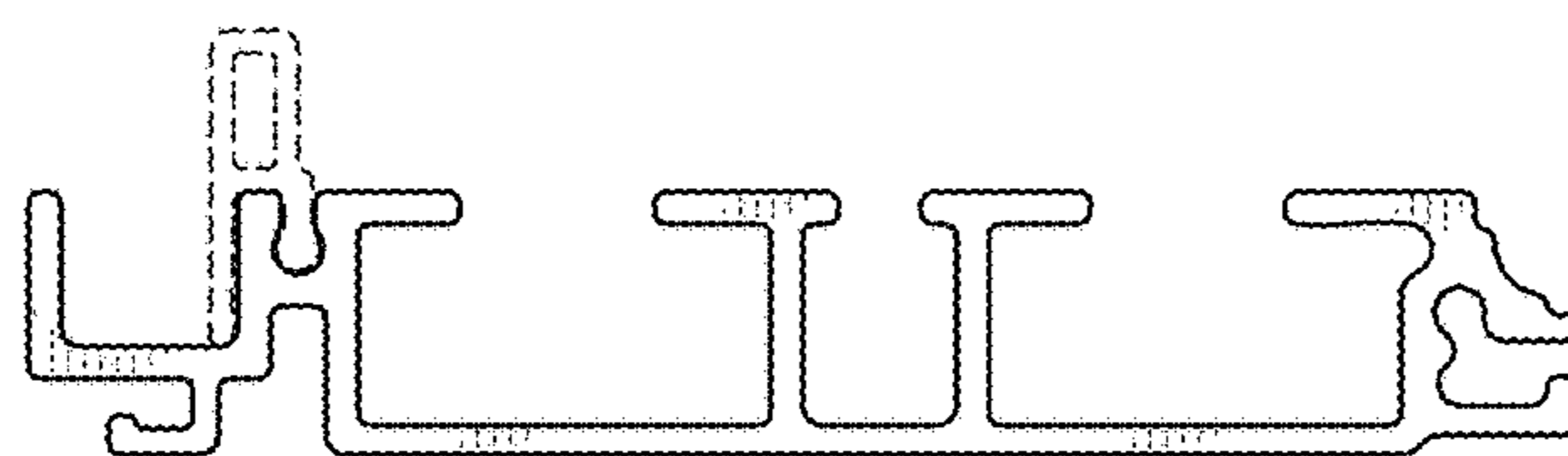


FIG. 9



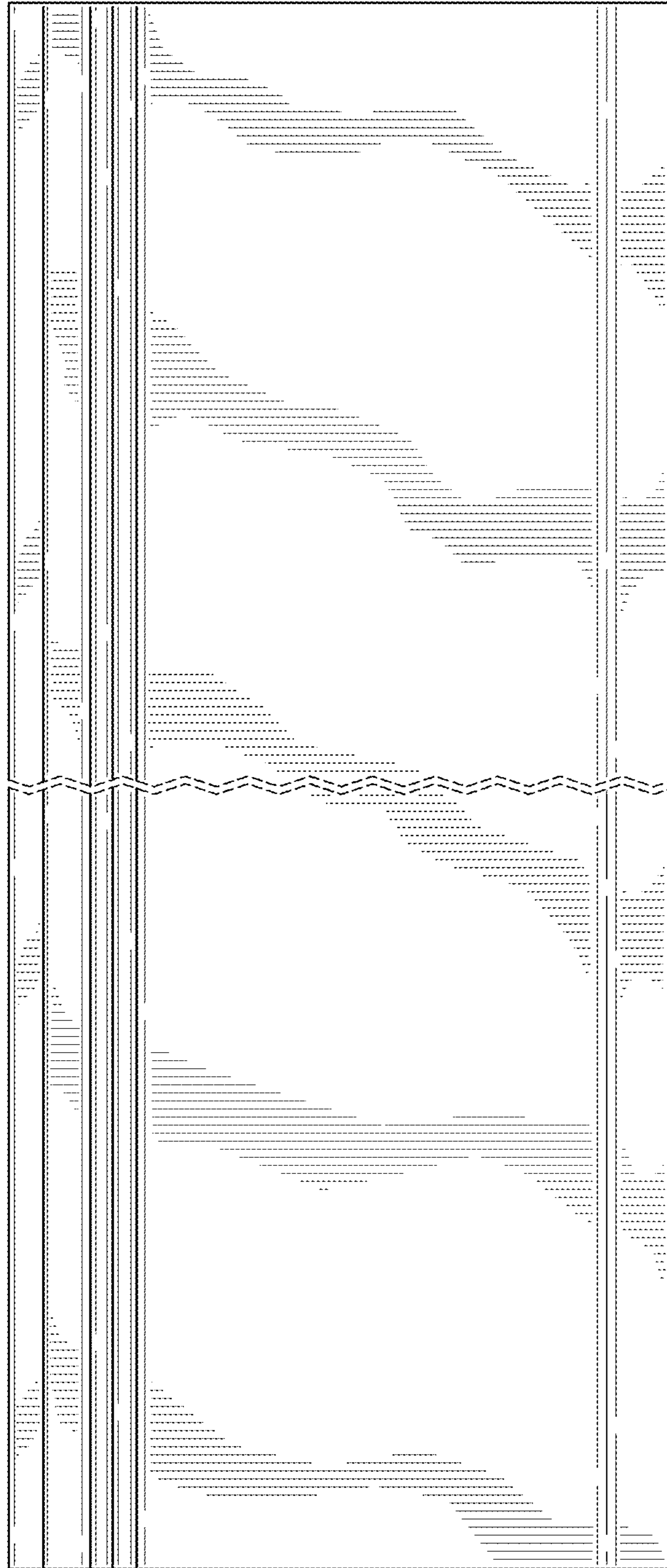


FIG. 10

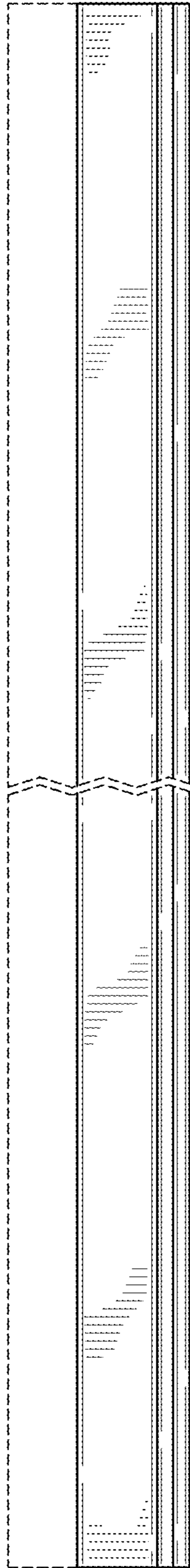


FIG. 11

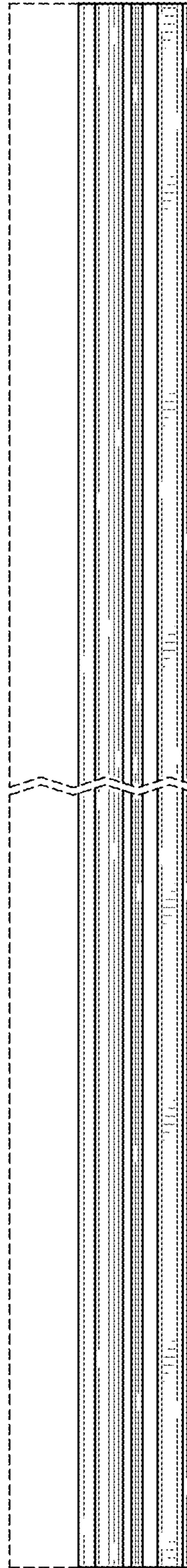


FIG. 12