



US00D788937S

(12) **United States Design Patent** (10) **Patent No.:** **US D788,937 S**  
**Schill et al.** (45) **Date of Patent:** **\*\* Jun. 6, 2017**

(54) **PACKAGING UNIT FOR SINGLE MEDICAL DEVICE**

(56) **References Cited**

(71) Applicants: **BAXALTA INCORPORATED**,  
Bannockburn, IL (US); **BAXALTA GMBH**, Glattpark (Opfikon) (CH)  
(72) Inventors: **Nicholas John Schill**, Johnsburg, IL (US); **Patrick John Ryan**, Buffalo Grove, IL (US); **Stephan Delville**, Lessines (BE); **Ibrahim Cherkani**, Ath (BE)

U.S. PATENT DOCUMENTS

2,077,240 A	11/1935	Jeffords	
2,720,969 A	12/1953	Kendall	
D218,077 S *	7/1970	Gabrial	D24/229
D248,871 S *	8/1978	Forsman	D24/230
D249,362 S *	9/1978	Forsman	D24/230
D283,051 S *	3/1986	Fichera	D24/123
4,595,102 A *	6/1986	Cianci	A61B 50/33 206/370

(Continued)

FOREIGN PATENT DOCUMENTS

JP	2001104475	10/1999
JP	20116154	1/2001

(Continued)

(73) Assignees: **Baxalta Incorporated**, Bannockburn, IL (US); **Baxalta GmbH**, Glattpark (Opfikon) (CH)

(\*\*) Term: **15 Years**

*Primary Examiner* — Ian Simmons  
*Assistant Examiner* — Mark Cavanna  
(74) *Attorney, Agent, or Firm* — Wolf, Greenfield & Sacks, P.C.

(21) Appl. No.: **29/556,530**

(22) Filed: **Mar. 1, 2016**

(57) **CLAIM**

The ornamental design for packaging unit for single medical device, as shown and described.

(51) **LOC (10) Cl.** ..... **24-02**

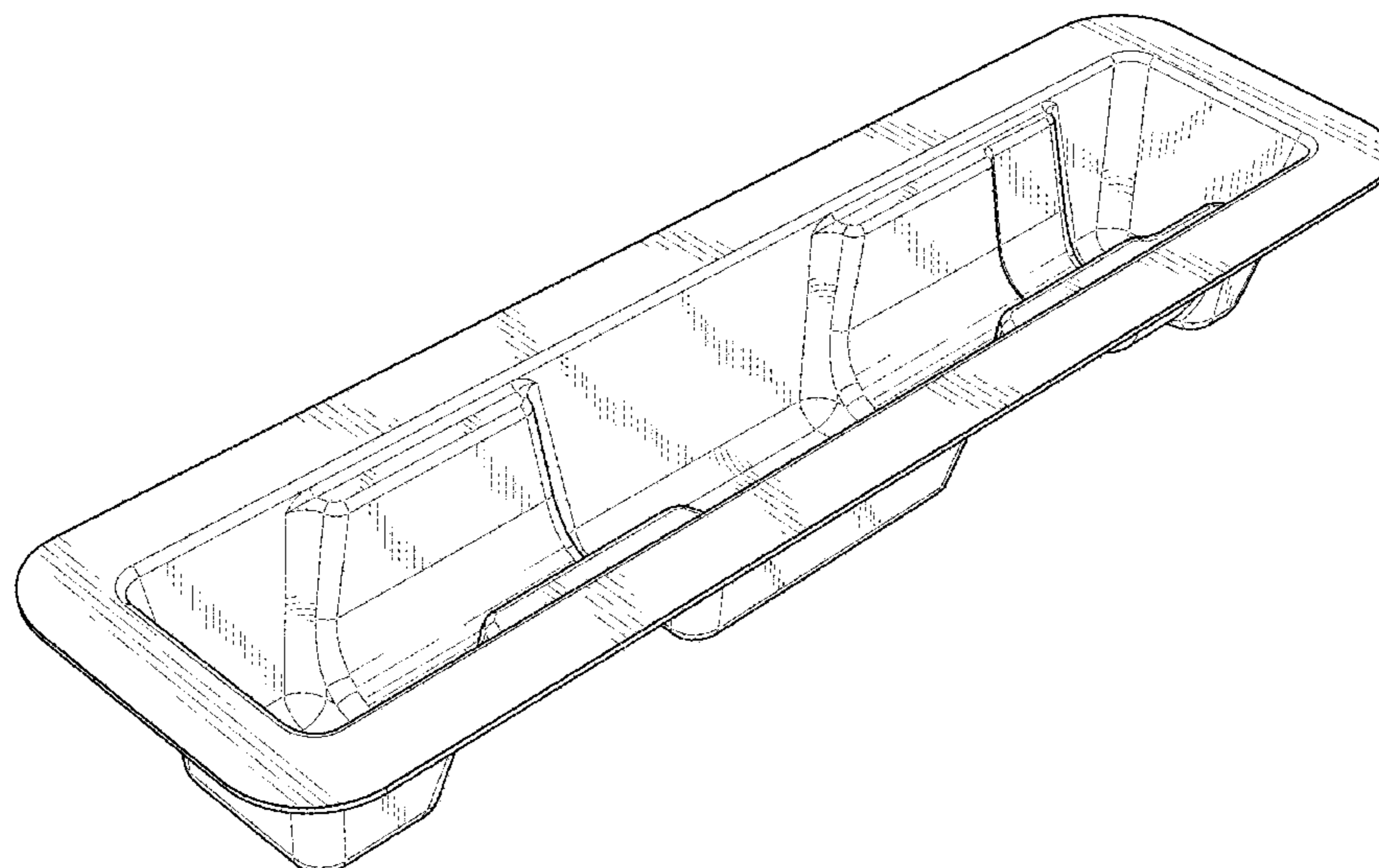
(52) **U.S. Cl.**  
USPC ..... **D24/229**

**DESCRIPTION**

(58) **Field of Classification Search**  
USPC ..... D24/216–232, 121, 176, 123;  
D3/203.1–203.8, 304, 313; 422/430, 547,  
422/551, 552, 559–560, 300; D9/737,  
D9/424–425, 431, 432, 758–759, 456;  
206/350, 370, 571, 438, 557, 561, 564,  
206/364, 365, 363; 211/85.13, 126.1  
CPC ..... A61B 19/0271; A61B 17/0469; A61B  
19/0256; A61L 2/26; B01L 9/54; B01L  
3/50825; B01L 3/5085; B01L 3/502;  
B01L 9/06; B25H 3/06; A61F 2/0095;  
B65D 1/34; B65D 1/36; A47F 7/02;  
H01H 9/025; A61M 5/003; A61M 5/002  
See application file for complete search history.

FIG. 1 is a top perspective view of the present packaging unit for single medical device;  
FIG. 2 is a right side view of the present packaging unit of FIG. 1;  
FIG. 3 is a left side view of the present packaging unit of FIG. 1;  
FIG. 4 is a top view of the present packaging unit of FIG. 1;  
FIG. 5 is a bottom view of the present packaging unit of FIG. 1;  
FIG. 6 is a front view of the present packaging unit of FIG. 1; and,  
FIG. 7 is a rear view of the present packaging unit of FIG. 1.

**1 Claim, 4 Drawing Sheets**



(56)

References Cited

U.S. PATENT DOCUMENTS

5,048,684 A \* 9/1991 Scott ..... B65D 75/323  
206/364  
5,131,537 A \* 7/1992 Gonzalez ..... B65D 75/326  
206/364  
5,178,267 A \* 1/1993 Grabenkort ..... A61B 5/1495  
206/210  
D337,830 S \* 7/1993 Coyne ..... D24/227  
5,246,109 A \* 9/1993 Markle ..... A61B 5/145  
206/363  
D343,687 S \* 1/1994 Houghton ..... D24/227  
5,318,543 A \* 6/1994 Ross ..... A61B 17/0469  
206/571  
5,339,955 A \* 8/1994 Horan ..... A61B 50/33  
206/350  
5,379,895 A 1/1995 Foslien  
5,542,539 A 8/1996 Early  
D376,652 S \* 12/1996 Hunt ..... D24/227  
D430,015 S 8/2000 Himbert et al.  
D437,941 S \* 2/2001 Frattini ..... D24/229  
D442,697 S \* 5/2001 Hajianpour ..... D24/229  
D445,198 S \* 7/2001 Frattini ..... D24/227  
D450,391 S \* 11/2001 Hunt ..... D24/227  
6,426,041 B1 \* 7/2002 Smith ..... A61L 2/26  
206/223  
D471,641 S \* 3/2003 McMichael ..... D24/227

D495,807 S \* 9/2004 Agbodoe ..... D24/227  
7,055,694 B2 6/2006 Roshdy  
D571,478 S \* 6/2008 Horacek ..... D24/217  
D587,110 S \* 2/2009 Kronshage ..... D24/227  
D608,015 S \* 1/2010 Sandel ..... D24/227  
D608,456 S \* 1/2010 Sandel ..... D24/227  
D613,418 S \* 4/2010 Ryan ..... D24/229  
D627,648 S \* 11/2010 He ..... D9/456  
D631,558 S \* 1/2011 Harmston ..... D24/229  
D676,573 S \* 2/2013 Austria ..... D24/227  
8,727,117 B2 5/2014 Maasarani  
D708,347 S \* 7/2014 Lober ..... D24/227  
D708,759 S \* 7/2014 Heyman ..... D24/229  
D720,470 S \* 12/2014 Lober ..... D24/227  
8,925,723 B2 1/2015 Folchini et al.  
D751,726 S \* 3/2016 Nishioka ..... D24/229  
9,433,469 B2 \* 9/2016 Kinyon ..... A61F 2/0095  
2013/0284629 A1 \* 10/2013 Kinyon ..... A61F 2/0095  
206/438  
2013/0306513 A1 11/2013 Hunkeler et al.

FOREIGN PATENT DOCUMENTS

JP 2007297060 4/2006  
JP 2007301033 5/2006  
JP 2014162532 2/2013  
WO 2014187779 11/2014

\* cited by examiner

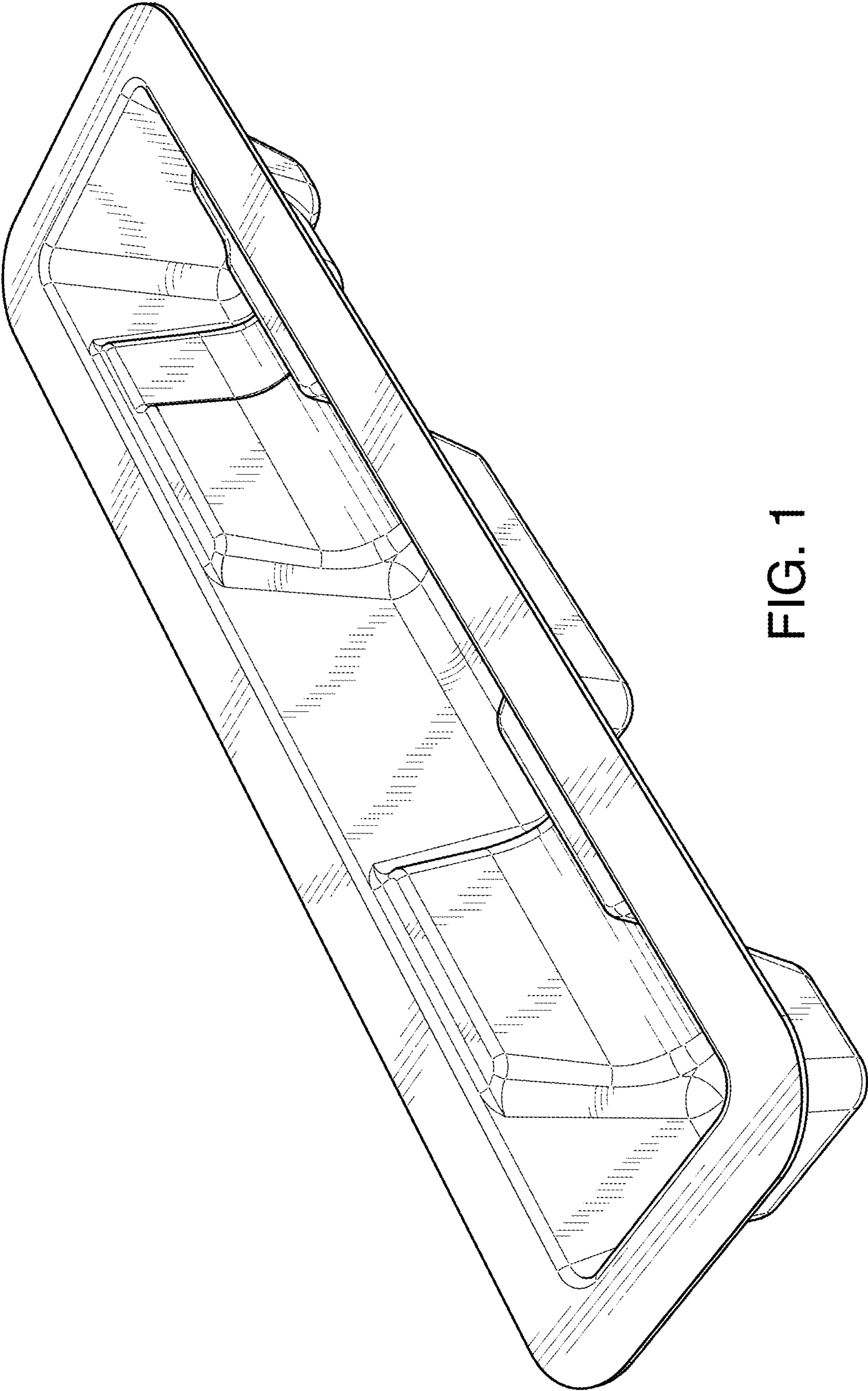


FIG. 1

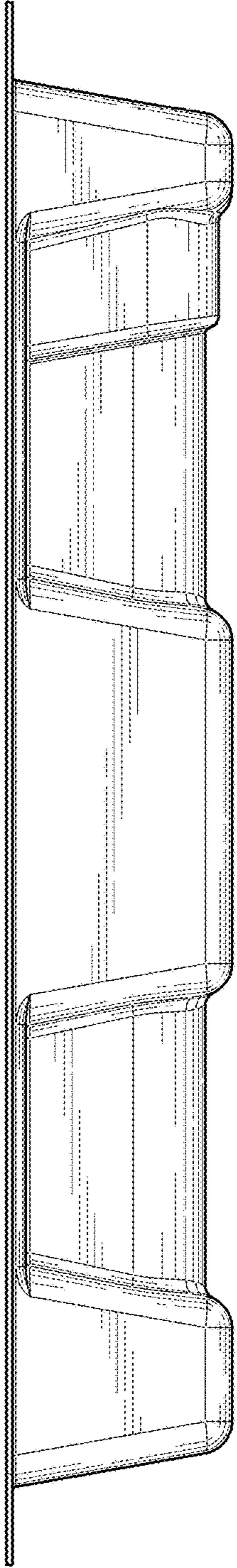


FIG. 2

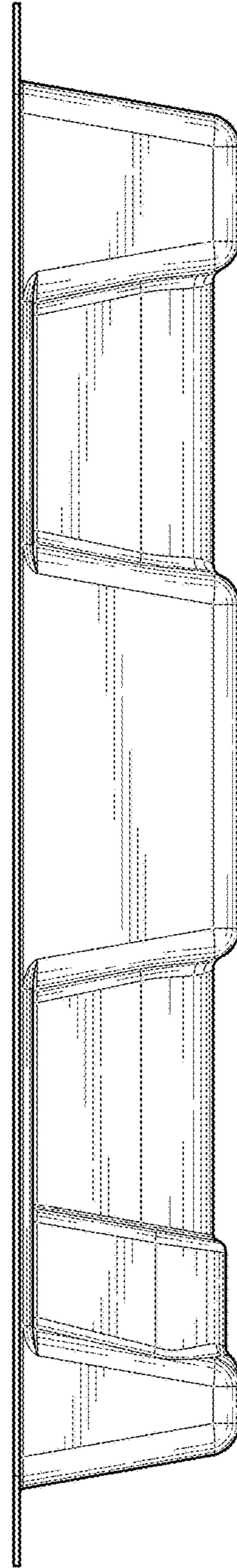


FIG. 3

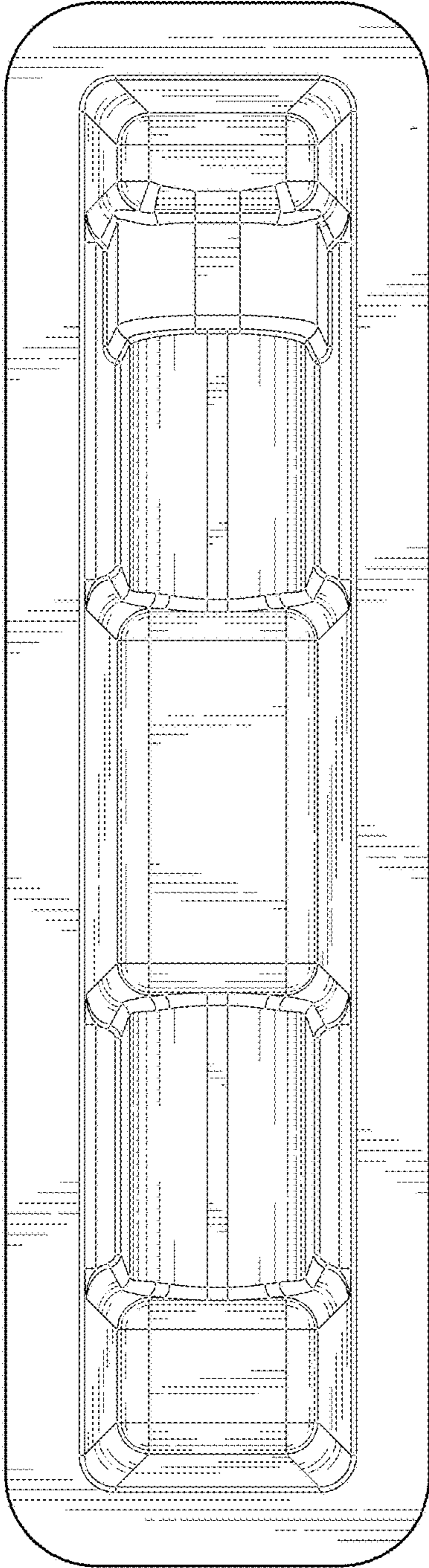


FIG. 4

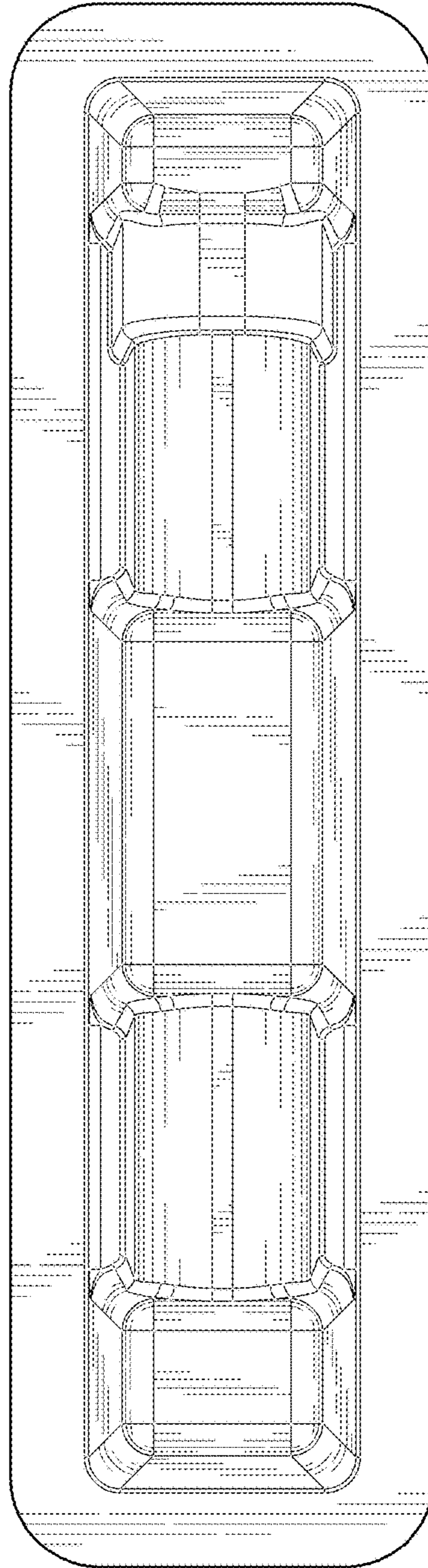


FIG. 5

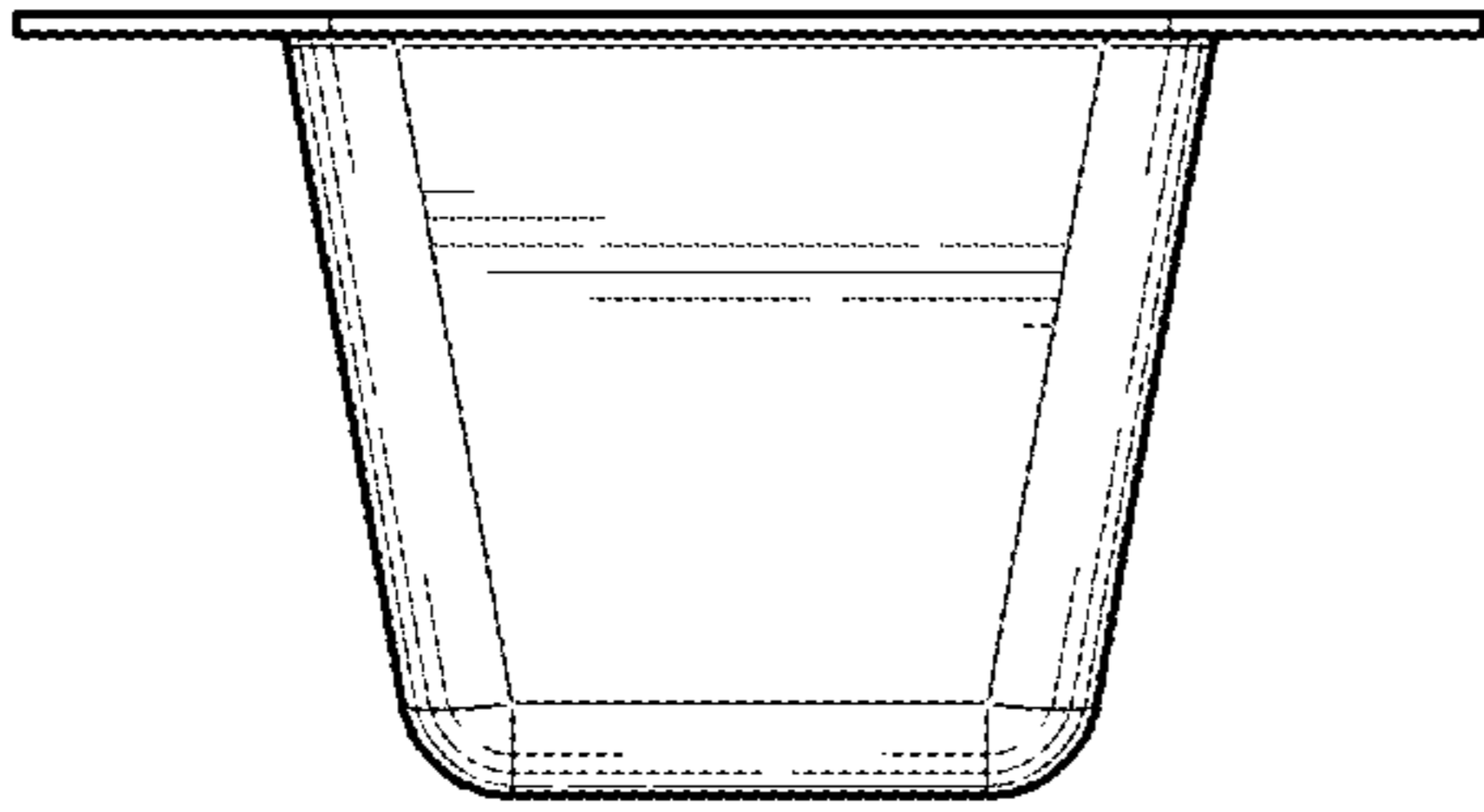


FIG. 6

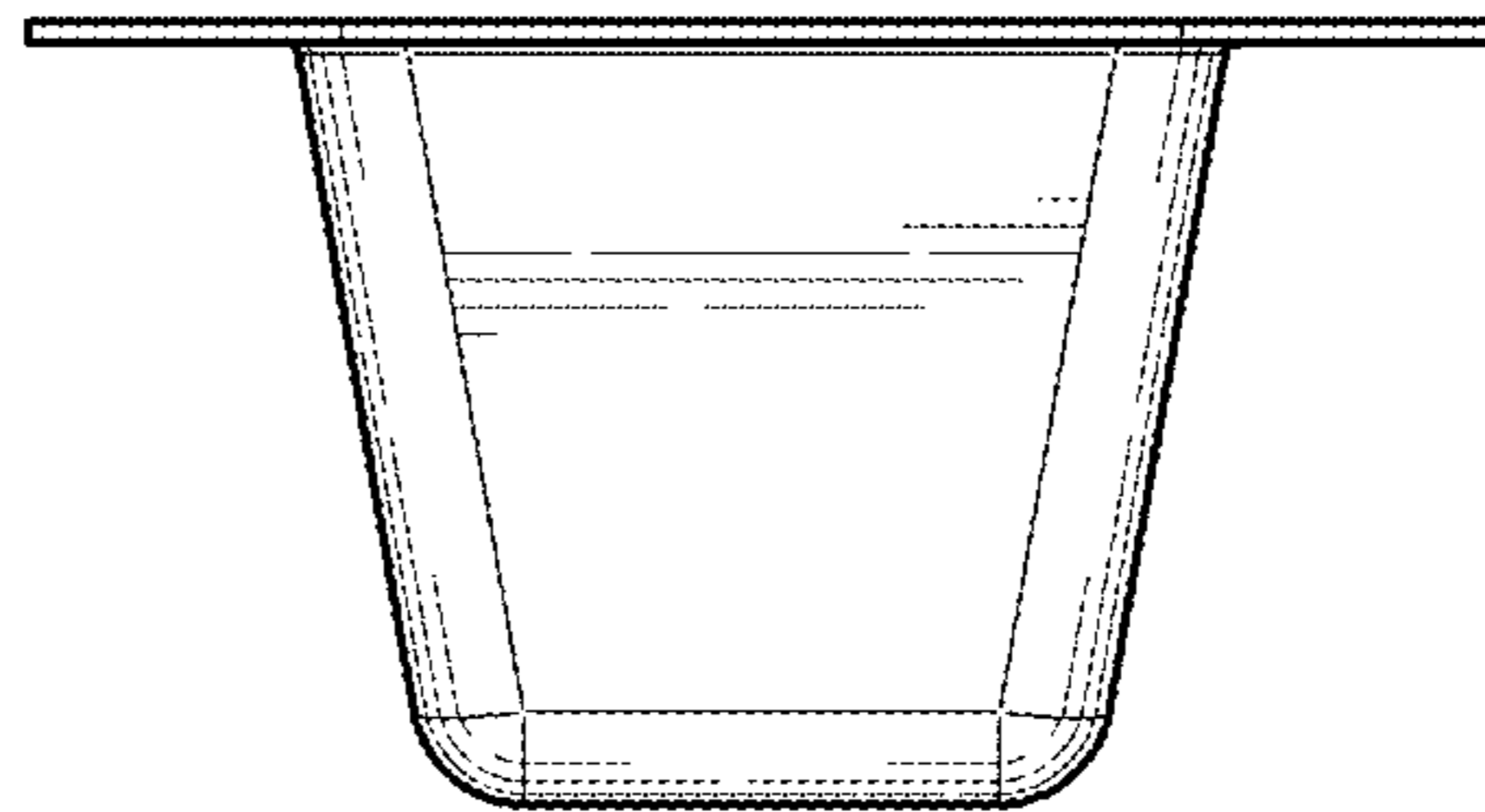


FIG. 7