

US00D788929S

(12) **United States Design Patent**
Hornby et al.

(10) **Patent No.:** **US D788,929 S**
(45) **Date of Patent:** **** Jun. 6, 2017**

- (54) **GAIT TRACK**
- (71) Applicant: **REHABILITATION INSTITUTE OF CHICAGO**, Chicago, IL (US)
- (72) Inventors: **Thomas George Hornby**, Chicago, IL (US); **Harrison Garo**, Chicago, IL (US); **John Gresko**, Chicago, IL (US)
- (73) Assignee: **Rehabilitation Institute of Chicago**, Chicago, IL (US)

D502,231 S *	2/2005	Auberger	D21/688
D594,989 S *	6/2009	Carlson	D24/188
D675,744 S *	2/2013	Gomizelj	D24/188
D681,215 S *	4/2013	Kessler	D24/188
D711,984 S *	8/2014	Smyth	D21/686
9,011,302 B2 *	4/2015	Lalaoua	A63B 21/0414 482/121
D755,397 S *	5/2016	Matsuda	D24/188
2004/0053752 A1 *	3/2004	Yang	A63B 21/0552 482/70
2004/0242381 A1 *	12/2004	Parmater	A63B 22/205 482/71
2013/0192487 A1 *	8/2013	Fanshawe	B61B 13/02 104/118

(**) Term: **15 Years**

(21) Appl. No.: **29/543,188**

(22) Filed: **Oct. 21, 2015**

(51) **LOC (10) Cl.** **24-04**

(52) **U.S. Cl.**
USPC **D24/188**

(58) **Field of Classification Search**
USPC D24/183, 184, 188; D21/662, 679,
D21/686-688
CPC A63B 22/203; A63B 2208/0204; A63B
21/4045; A63B 23/0488; A63B 21/0552;
A63B 69/0022; A63B 2022/003; A63B
21/225; A63B 21/00069; A63B 2210/50;
A63B 21/4035; A63B 23/03541; A63B
2022/0038; A63B 21/0428; A63B
2022/206

See application file for complete search history.

(56) **References Cited**

U.S. PATENT DOCUMENTS

D331,465 S *	12/1992	Lossing	D24/188
D367,118 S *	2/1996	Miller	D24/188
D450,851 S *	11/2001	Herndon	D24/188

* cited by examiner

Primary Examiner — George D Kirschbaum

Assistant Examiner — Jennifer Watkins

(74) *Attorney, Agent, or Firm* — Drinker Biddle & Reath LLP

(57) **CLAIM**

The ornamental design for a gait track, as shown and described.

DESCRIPTION

FIG. 1 is a perspective view depicting a new design of a gait track;

FIG. 2 is a front view thereof;

FIG. 3 is a rear view thereof;

FIG. 4 is a right side view thereof;

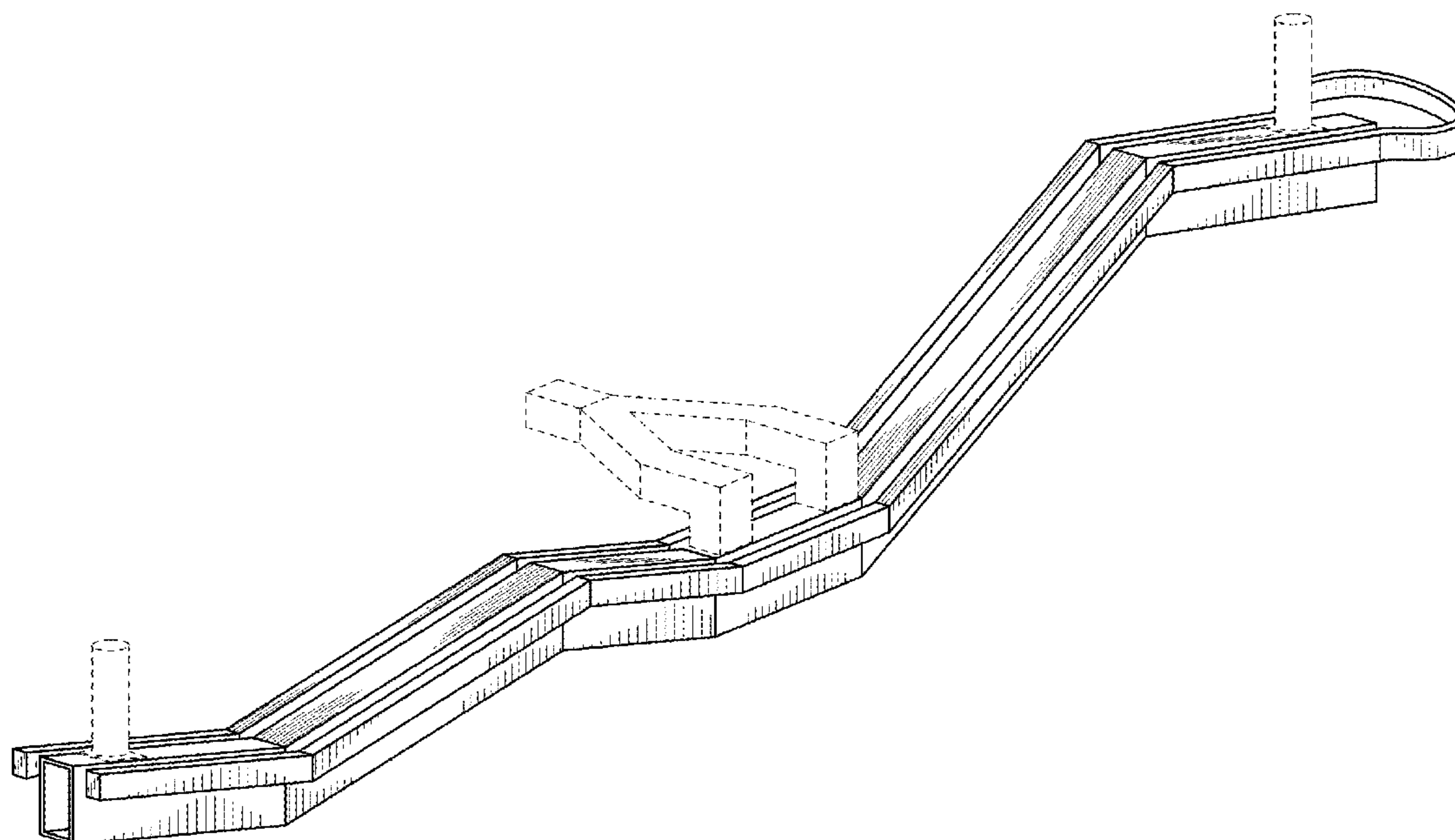
FIG. 5 is a left side view thereof;

FIG. 6 is a top view thereof; and,

FIG. 7 is a bottom view thereof.

The broken lines of FIGS. 1-7 illustrate portions of the gait track that form no part of the claim.

1 Claim, 6 Drawing Sheets



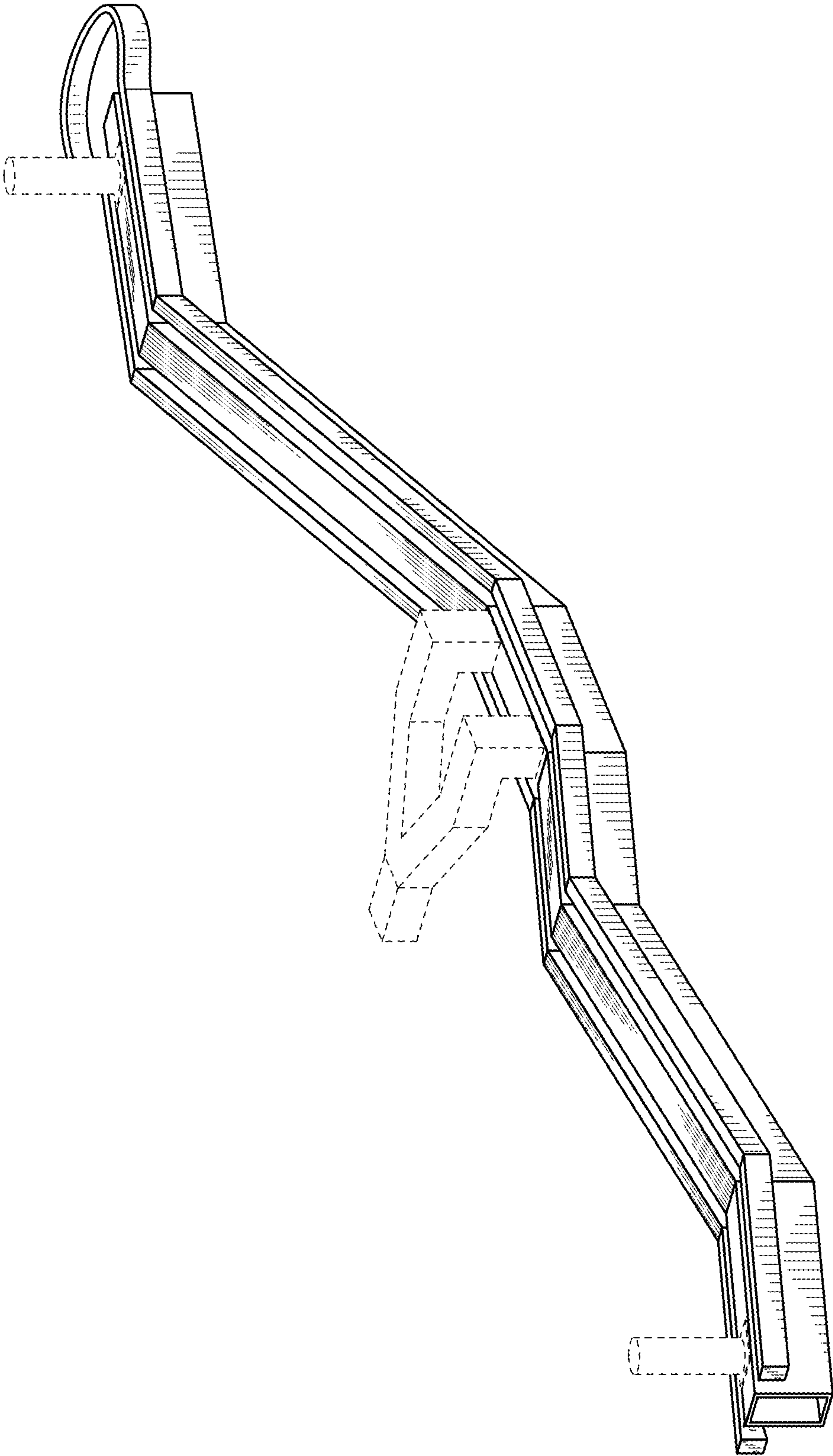


FIG. 1

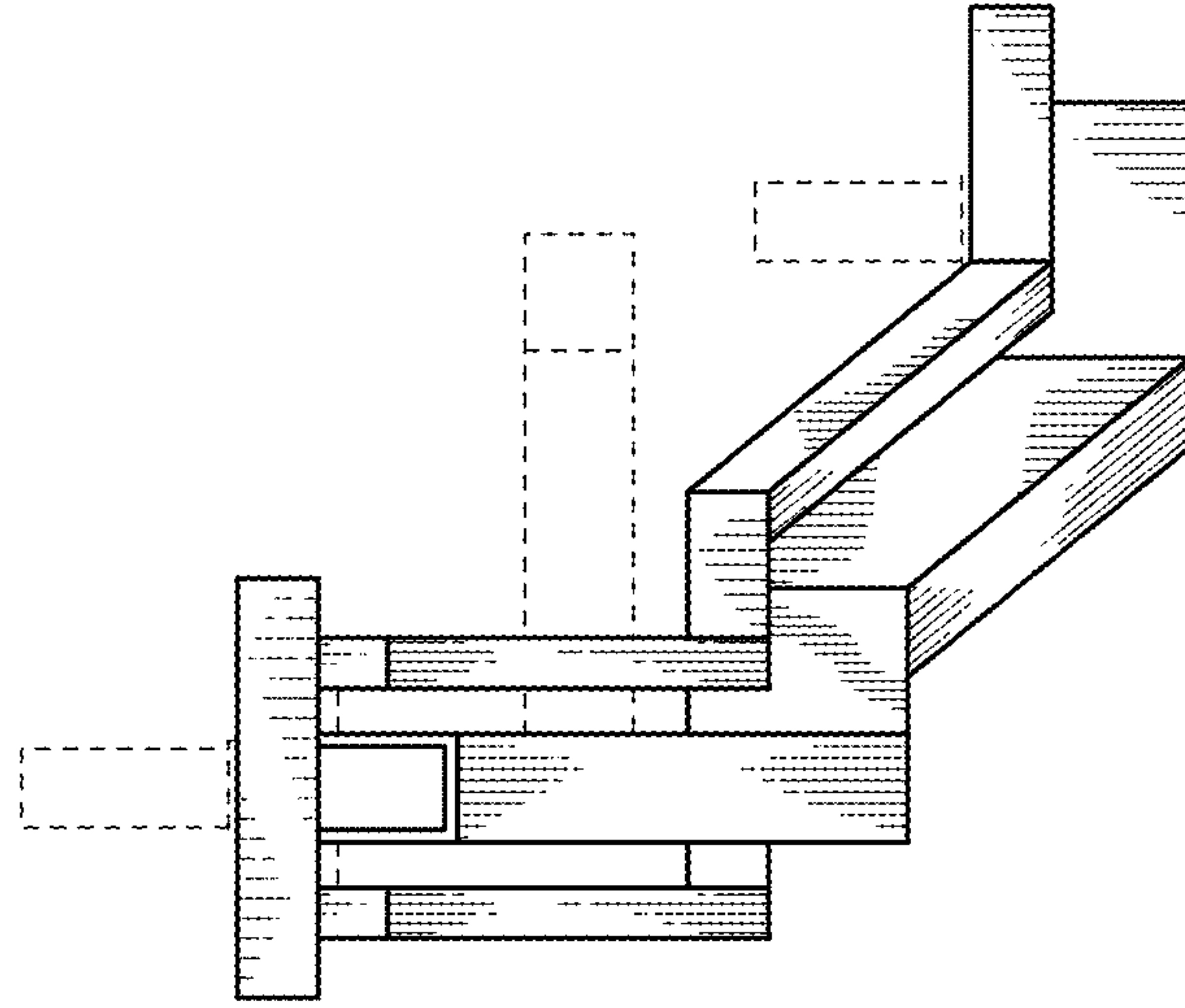


FIG. 3

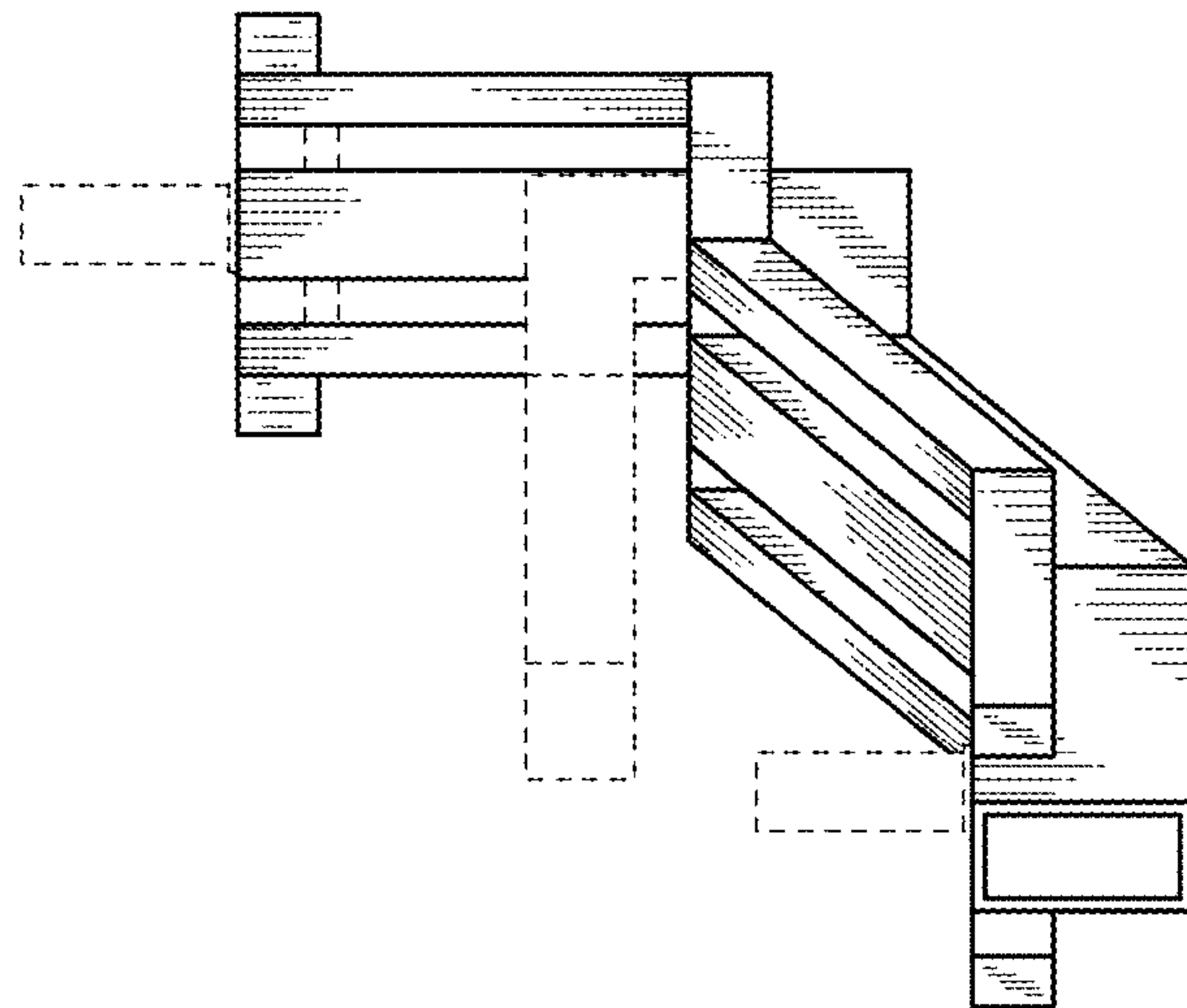


FIG. 2

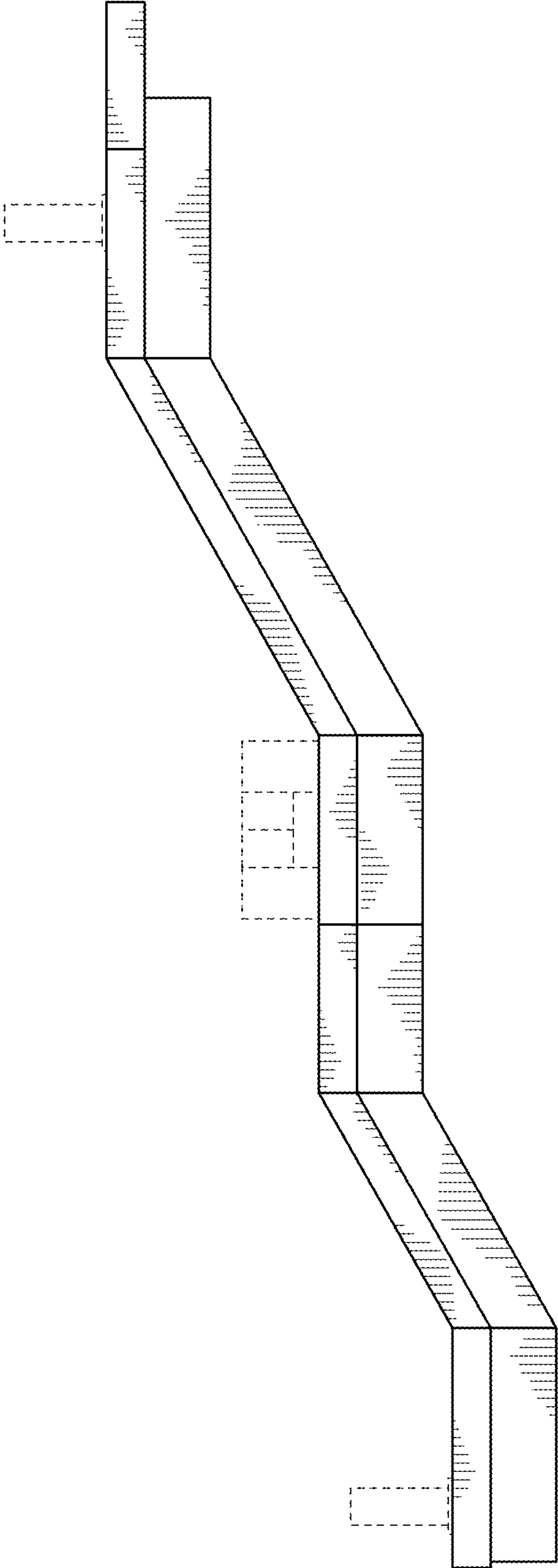


FIG. 4

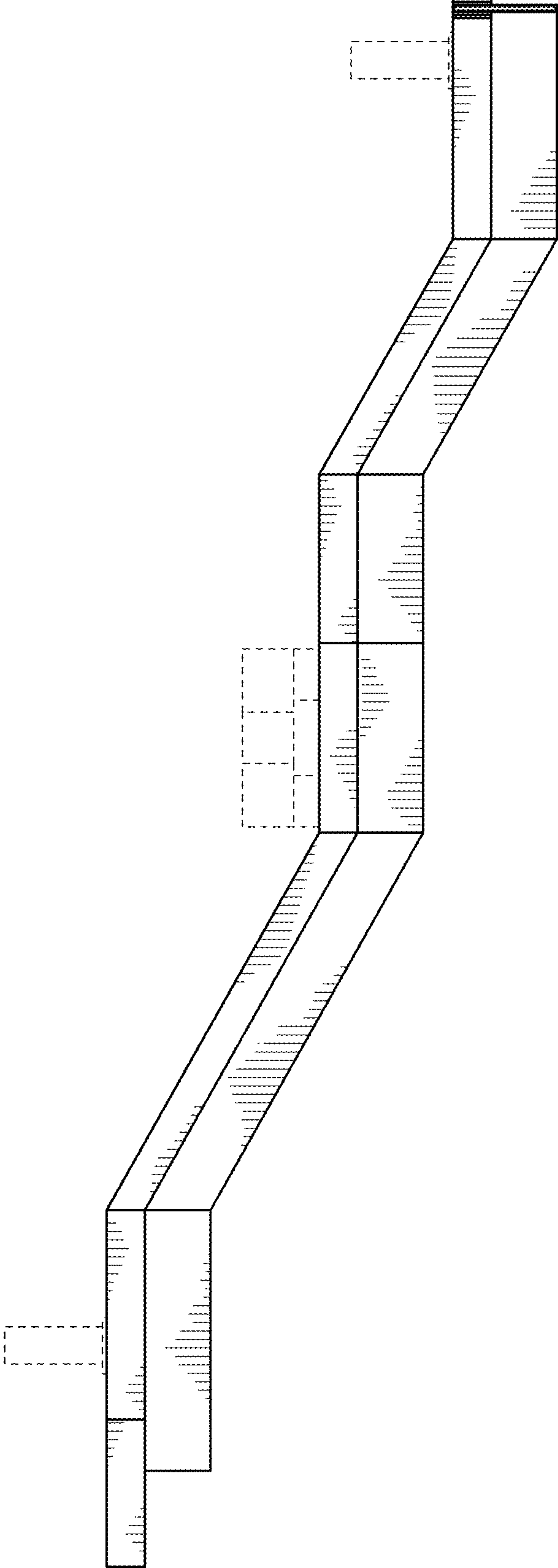


FIG. 5

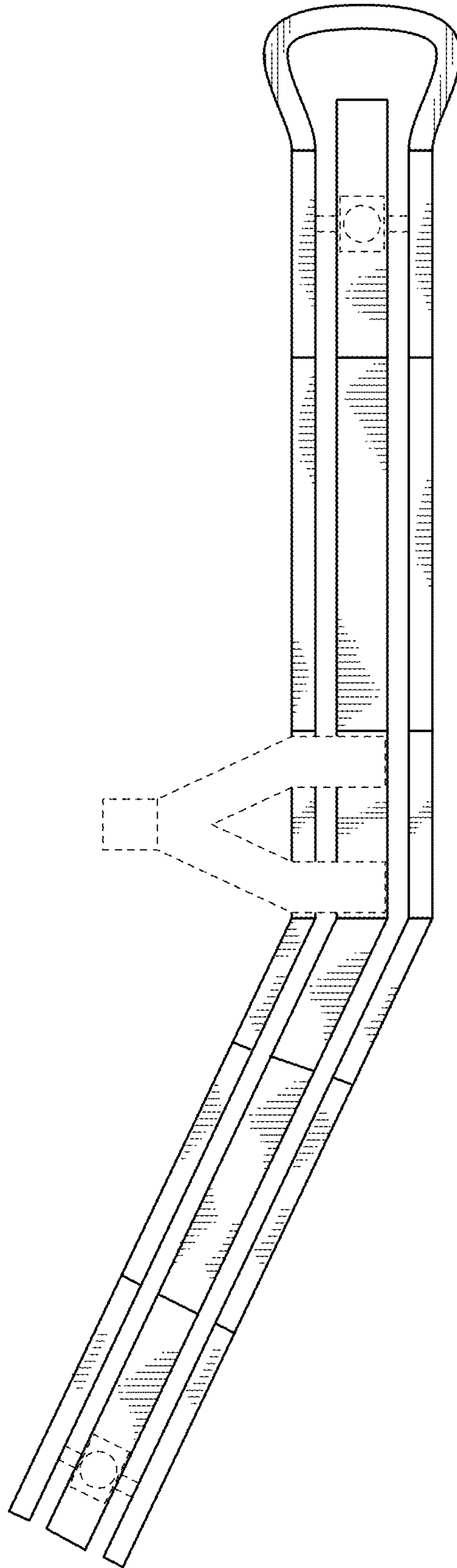


FIG. 6

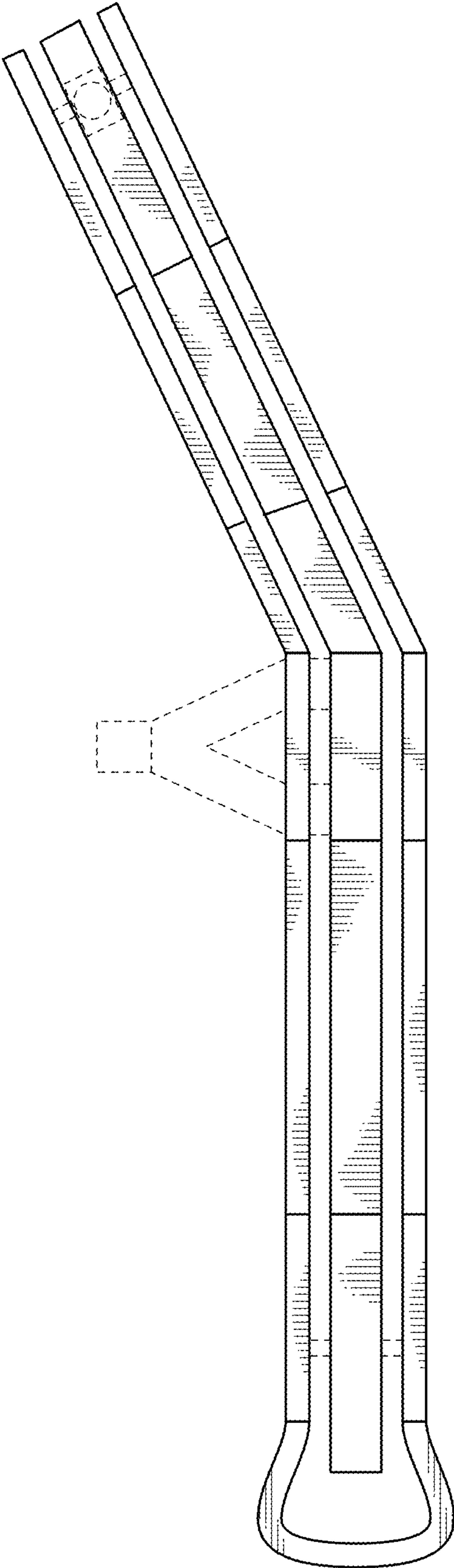


FIG. 7